



US00D798691S

(12) **United States Design Patent**
Webb

(10) **Patent No.:** **US D798,691 S**

(45) **Date of Patent:** **** Oct. 3, 2017**

(54) **MODULAR FURNITURE PART**

(71) Applicant: **Roger Webb**, London (GB)

(72) Inventor: **Roger Webb**, London (GB)

(**) Term: **15 Years**

(21) Appl. No.: **29/568,851**

(22) Filed: **Jun. 22, 2016**

(30) **Foreign Application Priority Data**

Dec. 23, 2015 (EM) 002921254-0004

(51) **LOC (10) Cl.** **08-05**

(52) **U.S. Cl.**
USPC **D8/354**

(58) **Field of Classification Search**
USPC D8/48, 71, 315-322, 354-355, 378-381,
D8/400-499; D12/420, 223;
D25/119-125, 199

CPC F16L 1/00; F16L 9/00; F16L 13/00; B25H
3/04; A61B 1/00; A61B 17/00; A61B
2217/00; A61B 2218/00; H02G 1/00;
H02G 2200/00; A47F 1/00; H02J 1/00

See application file for complete search history.

(56) **References Cited**

U.S. PATENT DOCUMENTS

D209,901 S * 1/1968 Fredricksen D8/308
D235,133 S * 5/1975 Armstrong D8/354

4,224,721 A * 9/1980 Ohlson F16B 7/0433
24/376
D422,881 S * 4/2000 DePass D8/337
D731,444 S * 6/2015 Todd D13/173
9,190,192 B2 * 11/2015 Tomita H02G 3/32
2016/0088940 A1 * 3/2016 Loree F16B 17/00
211/87.01

* cited by examiner

Primary Examiner — Barbara Fox

Assistant Examiner — Kristin E Reed

(74) *Attorney, Agent, or Firm* — The Belles Group, P.C.

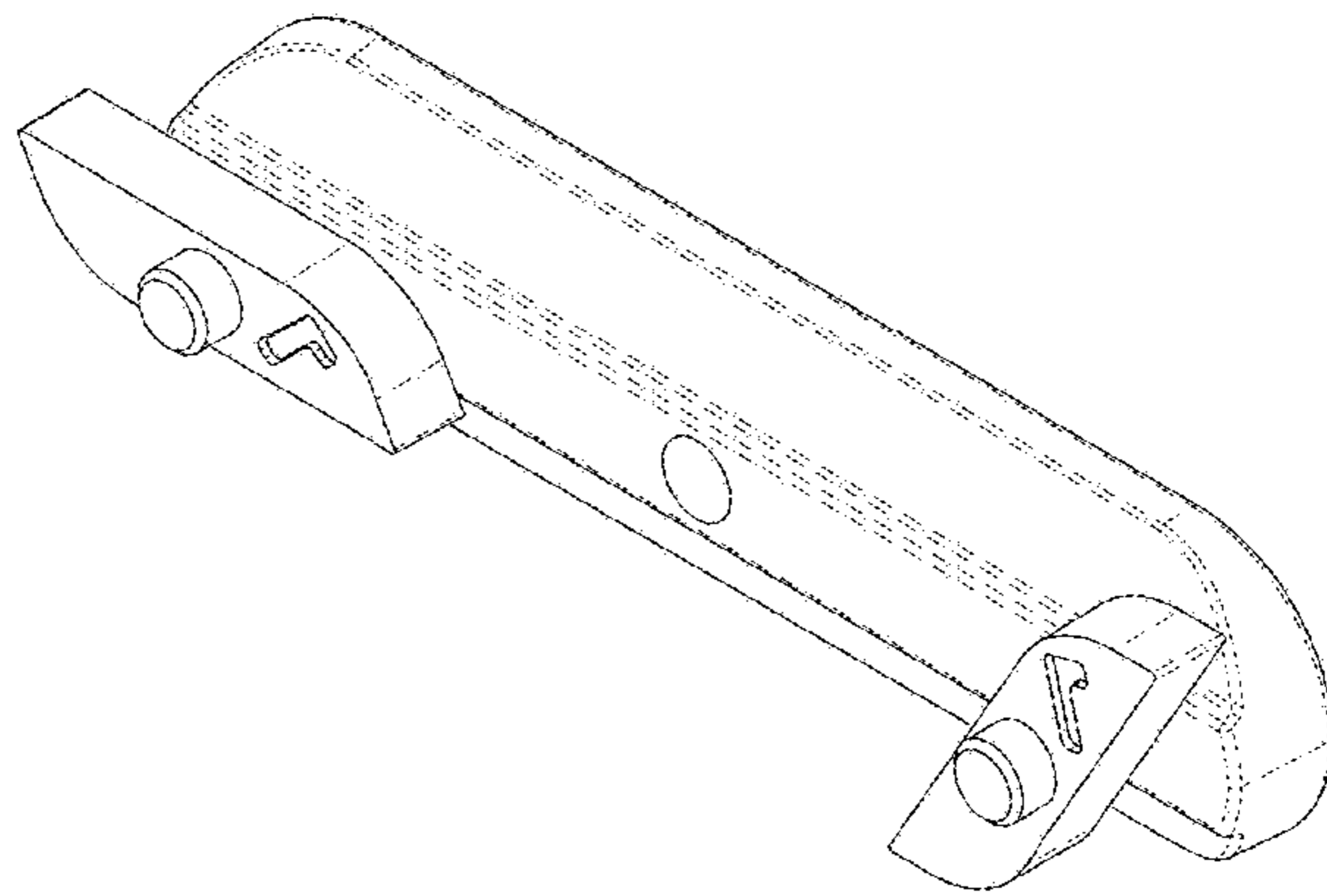
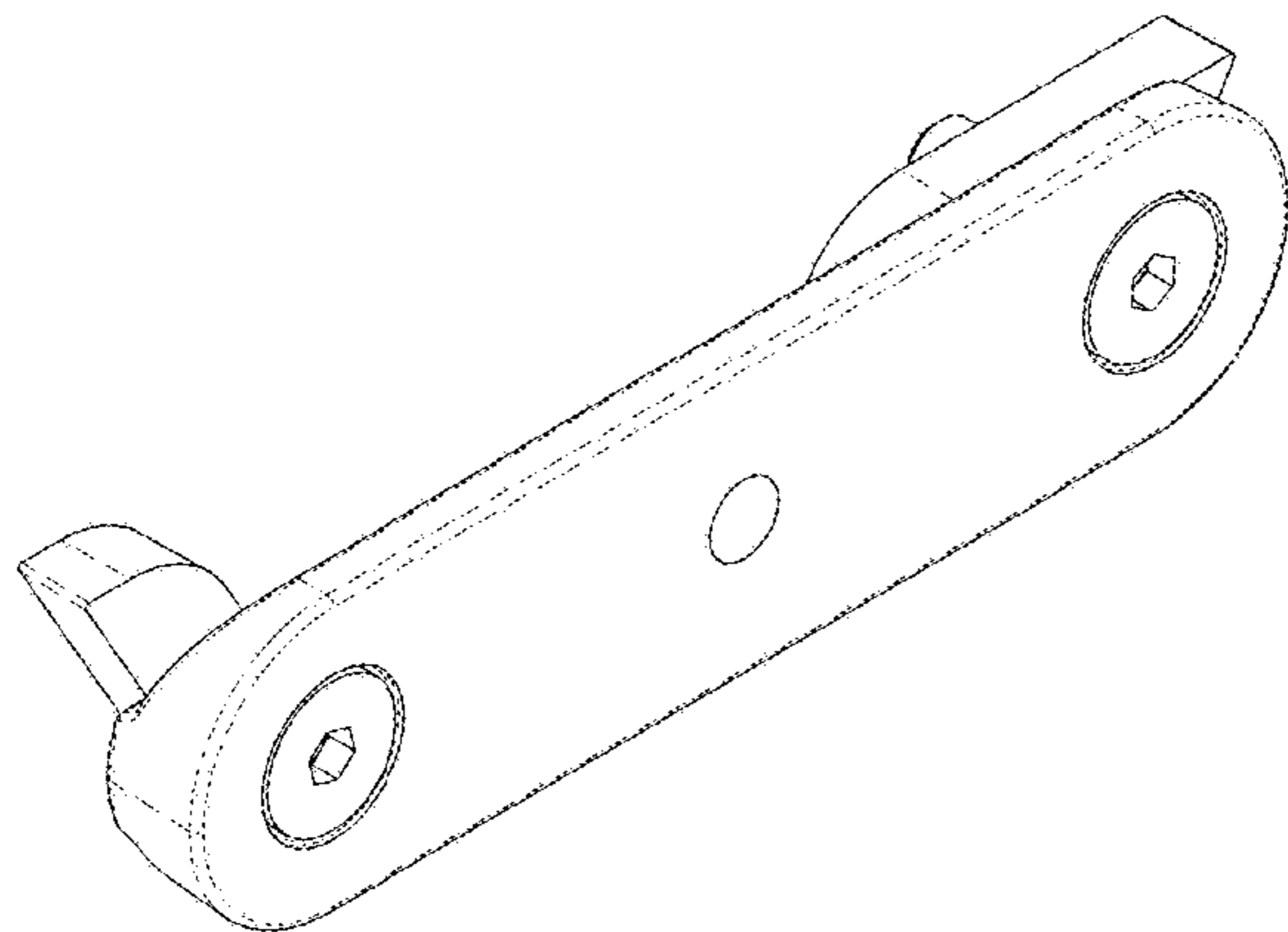
(57) **CLAIM**

I claim the ornamental design for a modular furniture part, as shown and described.

DESCRIPTION

FIG. 1 is a front perspective view of a modular furniture part showing my new design;
FIG. 2 is a rear perspective view thereof;
FIG. 3 is a front view thereof;
FIG. 4 is a rear view thereof;
FIG. 5 is a right-side view thereof
FIG. 6 is a left-side view thereof;
FIG. 7 is a top view thereof; and,
FIG. 8 is a bottom view thereof.

1 Claim, 8 Drawing Sheets



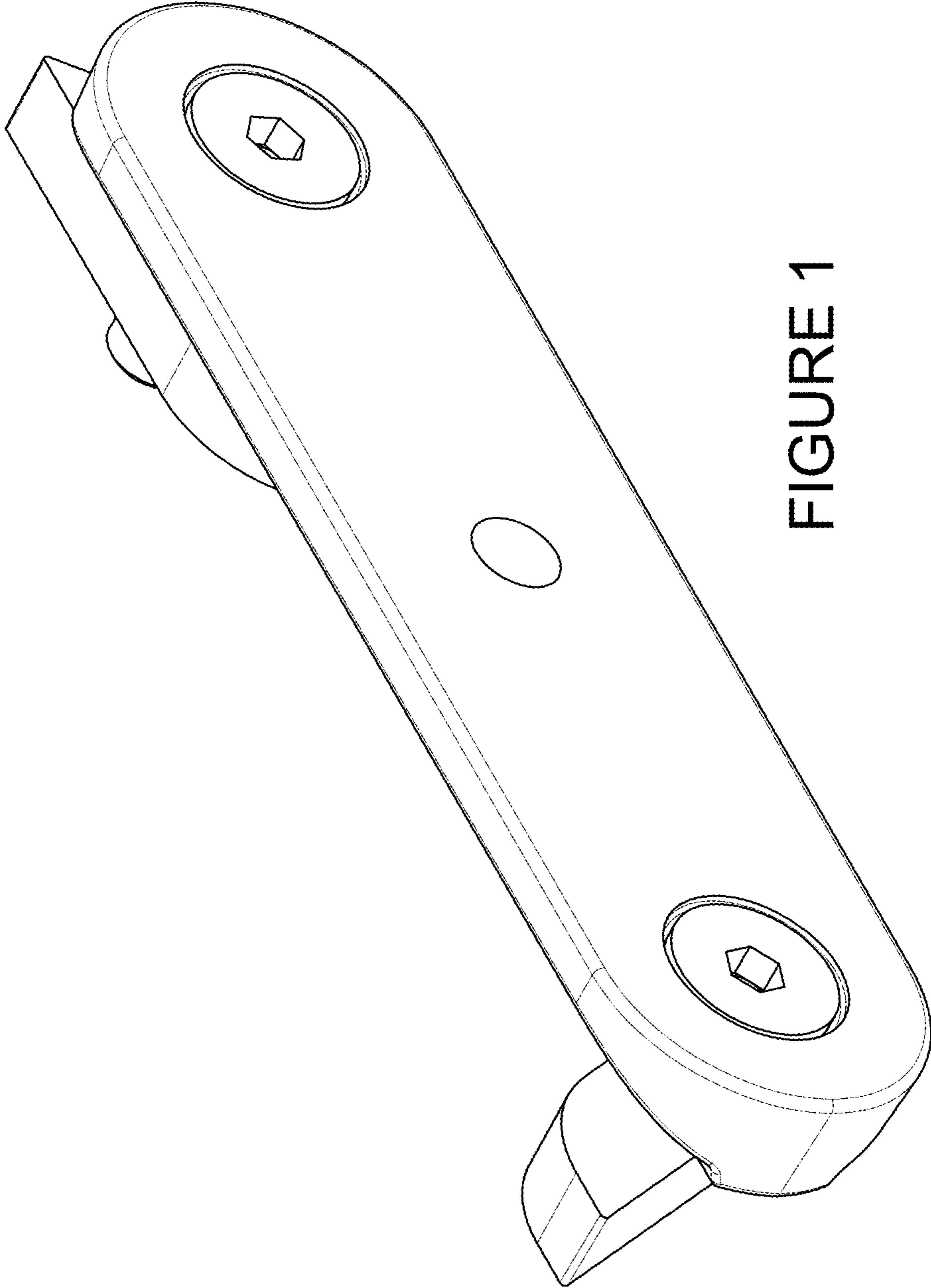


FIGURE 1

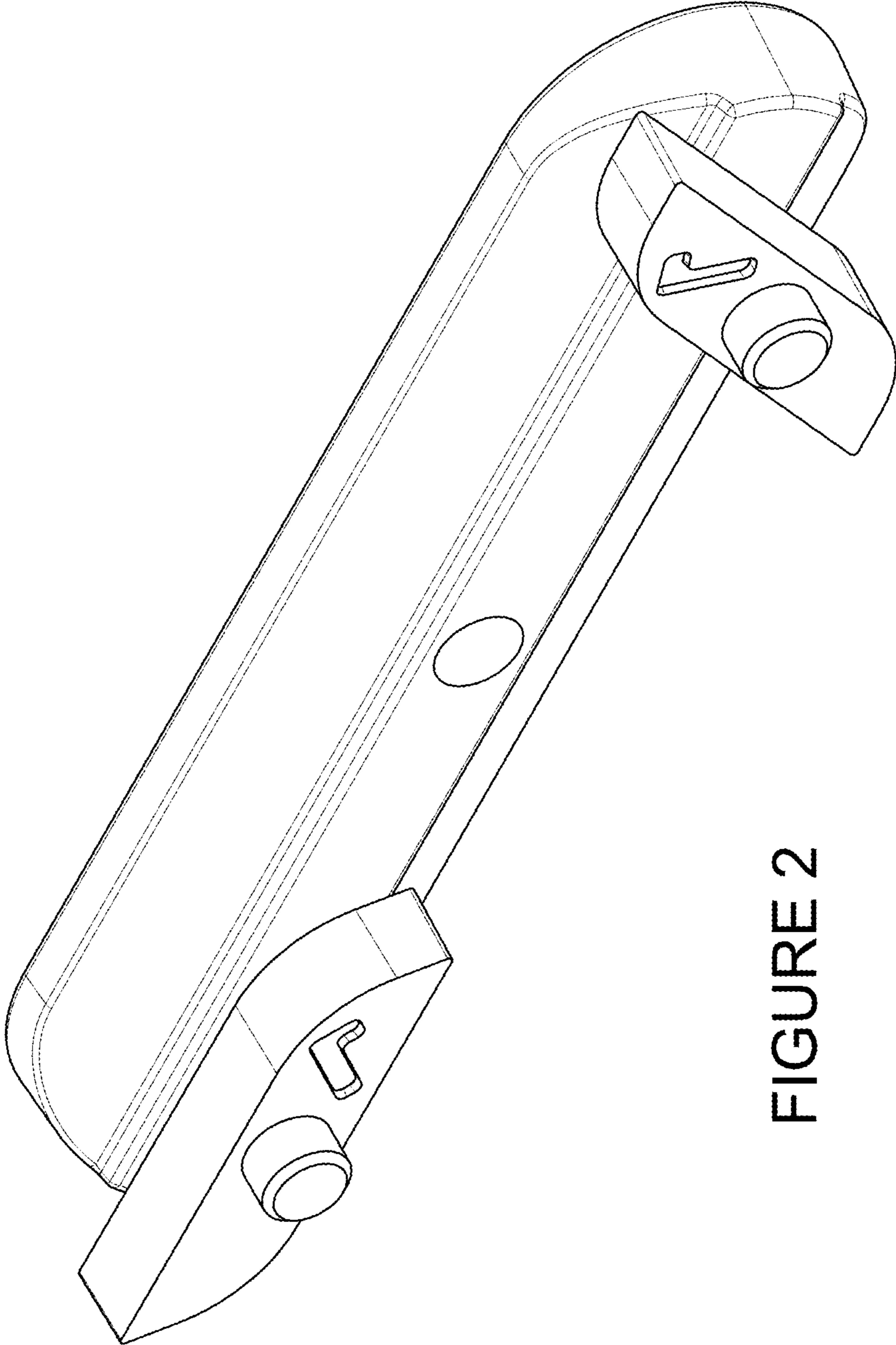


FIGURE 2

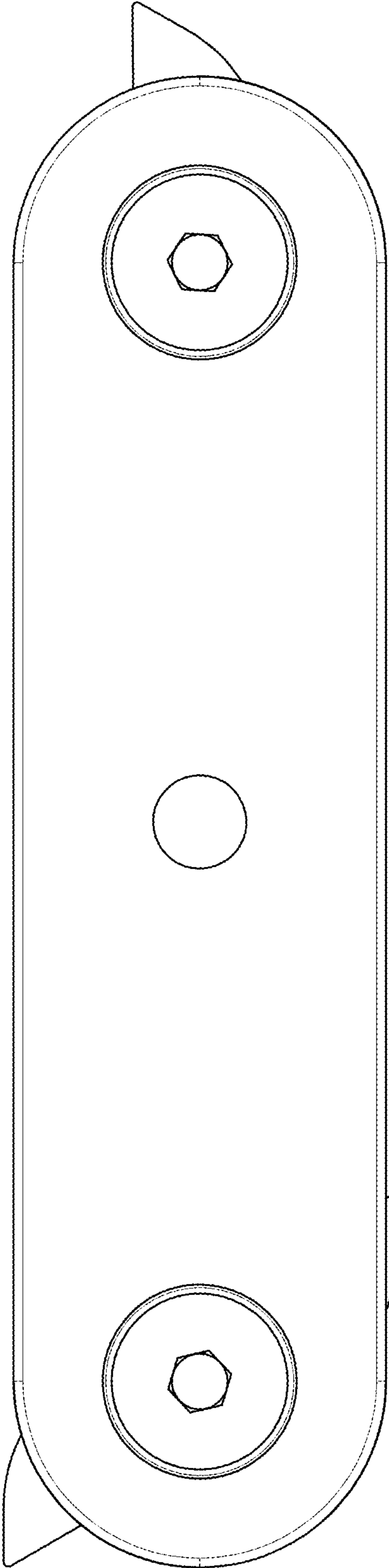


FIGURE 3

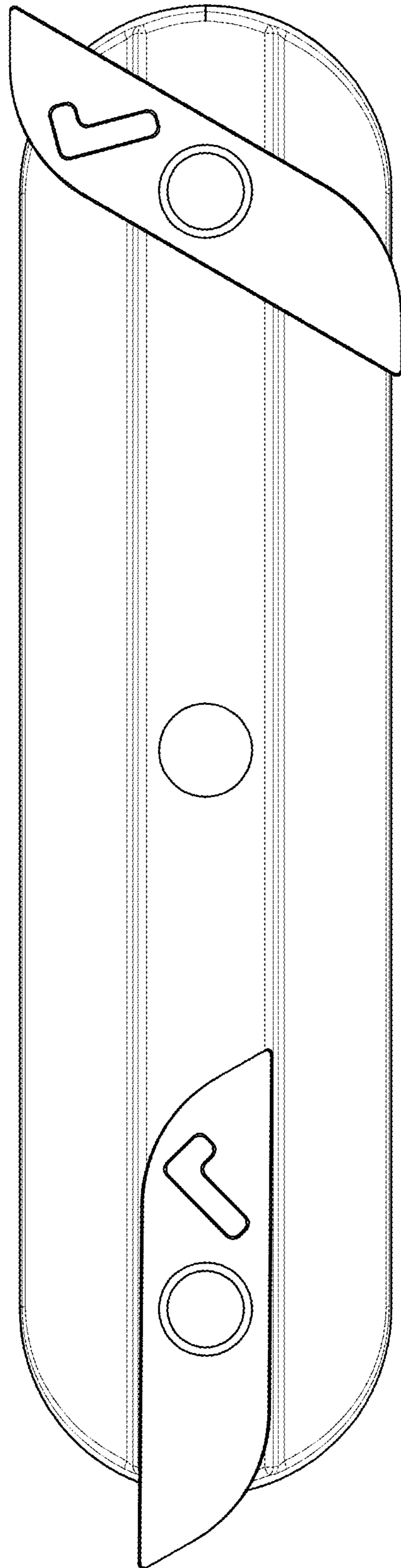


FIGURE 4

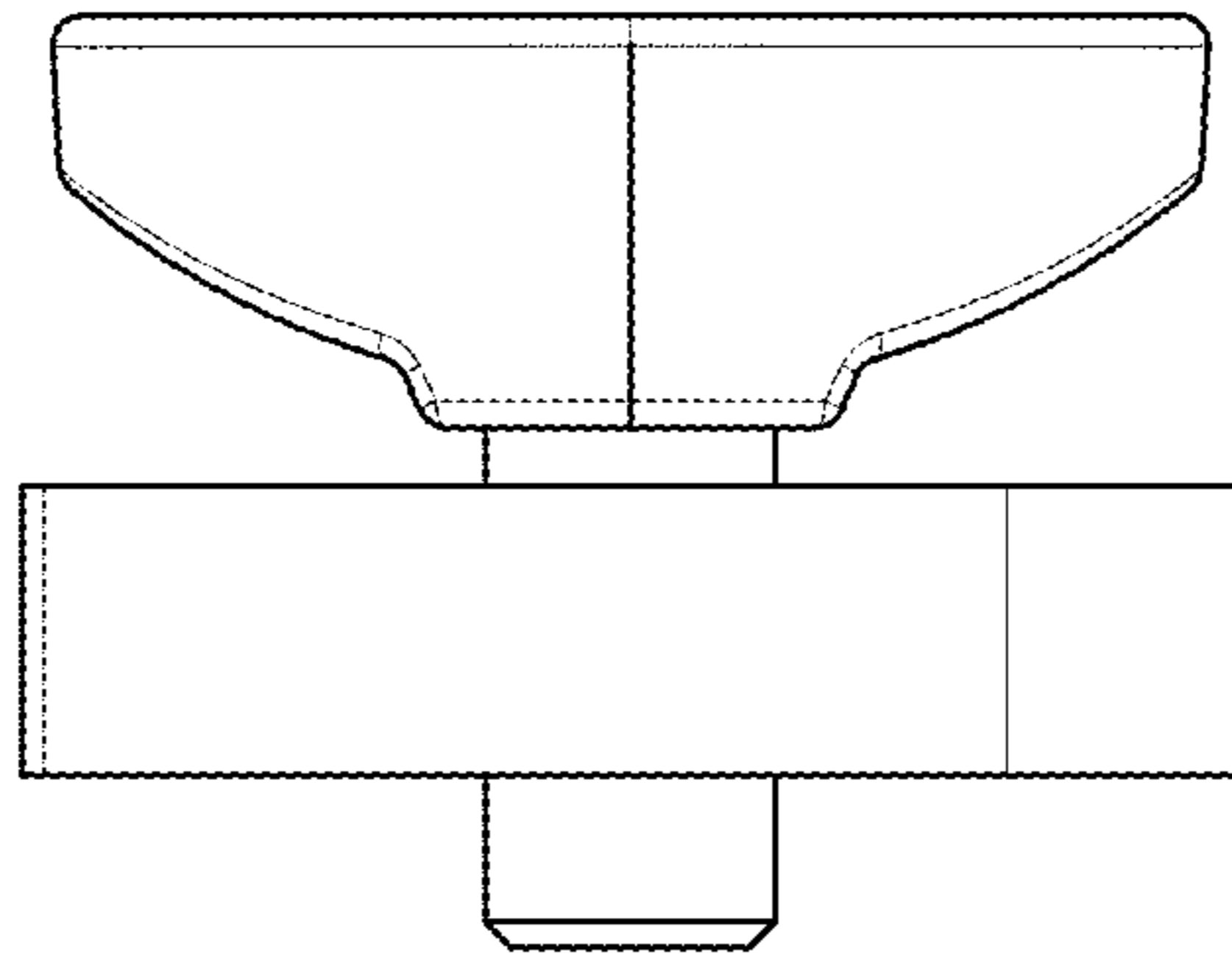


FIGURE 5

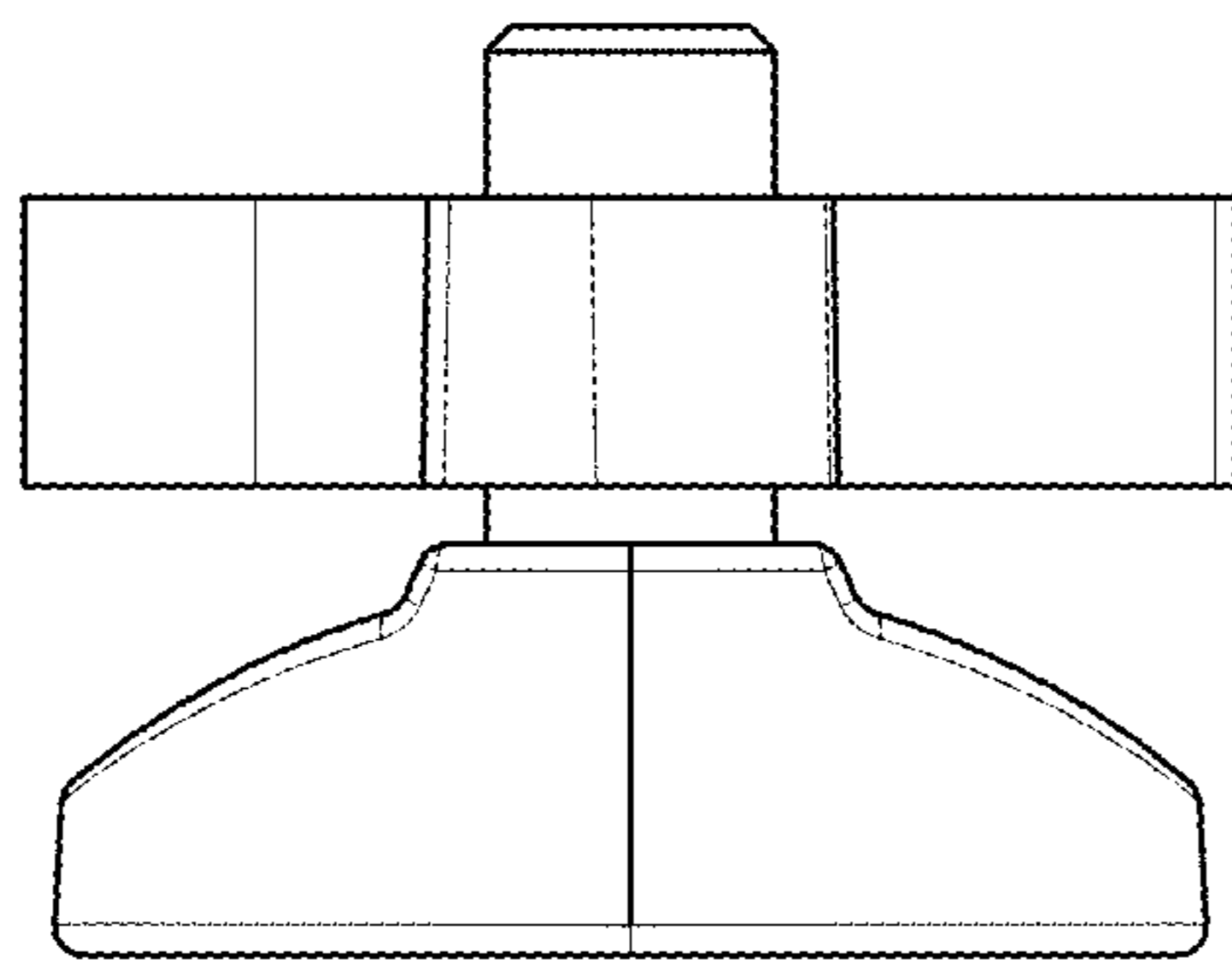


FIGURE 6

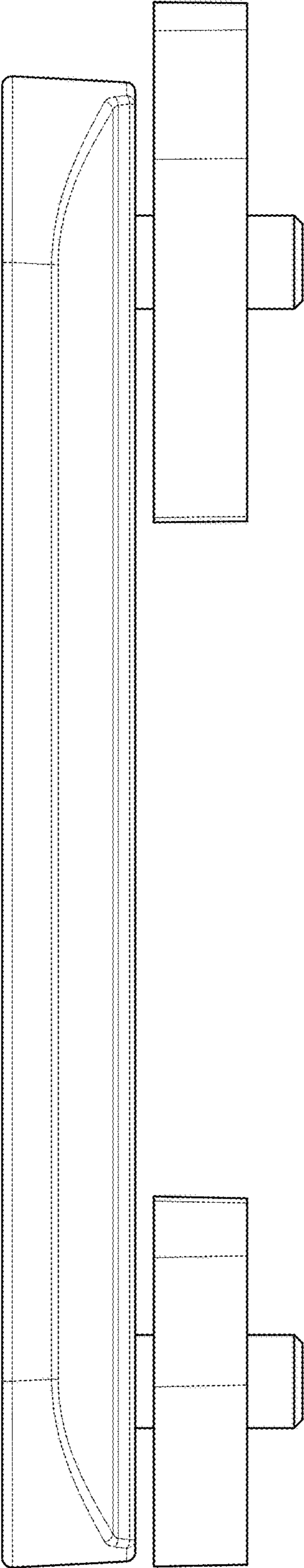


FIGURE 7

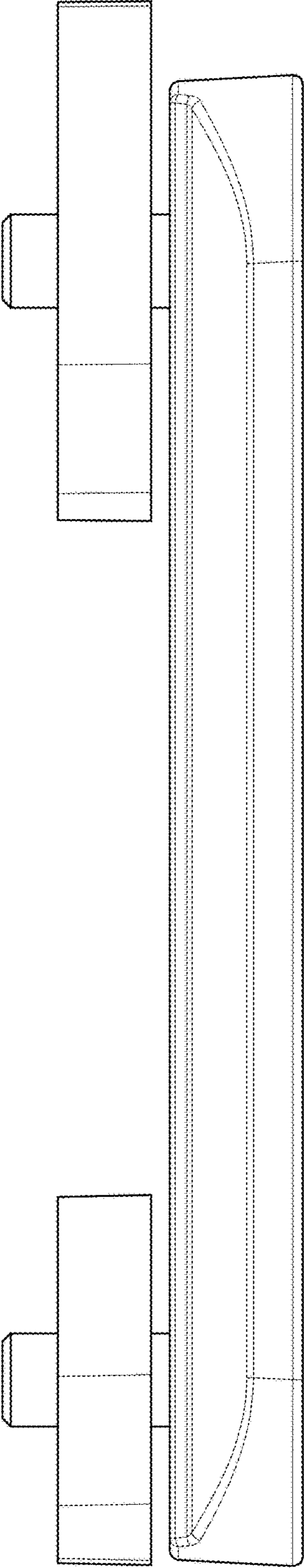


FIGURE 8