



US00D798689S

(12) **United States Design Patent** (10) **Patent No.:** **US D798,689 S**  
**Osada et al.** (45) **Date of Patent:** **\*\* Oct. 3, 2017**

(54) **BICYCLE LOCK**  
(71) Applicant: **Bell Sports, Inc.**, Scotts Valley, CA (US)  
(72) Inventors: **Tad Osada**, San Jose, CA (US); **Koo Wai Pong**, Hong Kong (CN); **Molly Elizabeth Shoemaker**, Aptos, CA (US)  
(73) Assignee: **Bell Sports, Inc.**, Scotts Valley, CA (US)  
(\*\*) Term: **15 Years**

5,076,526 A \* 12/1991 Zane ..... B62H 5/00  
224/425  
5,642,635 A \* 7/1997 Wen-Chyun ..... E05B 67/28  
70/227  
6,820,448 B1 \* 11/2004 Hsieh ..... E05B 67/003  
70/18  
D533,764 S \* 12/2006 Heppner ..... D8/334  
D590,695 S \* 4/2009 Wu ..... D8/334  
7,555,925 B1 \* 7/2009 Wu ..... E05B 67/24  
70/31  
D614,049 S \* 4/2010 Diss ..... D9/500  
D630,260 S \* 1/2011 Cole ..... D21/483  
8,336,346 B2 \* 12/2012 Mah ..... E05B 67/22  
70/352  
D701,105 S \* 3/2014 Stevens ..... D8/333  
D722,262 S \* 2/2015 Stevens ..... D8/333  
9,260,885 B2 \* 2/2016 Asquith ..... E05B 45/005

(21) Appl. No.: **29/539,854**  
(22) Filed: **Sep. 17, 2015**  
(51) **LOC (10) Cl.** ..... **08-07**  
(52) **U.S. Cl.**  
USPC ..... **D8/343; D8/334**  
(58) **Field of Classification Search**  
USPC ..... D8/330, 331, 333, 343, 339, 336, 349,  
D8/334, 354; 70/14-16, 18, 57, 25, 158,  
70/163-168, 233, 38 A, 38 C, 23, 20, 30,  
70/51, 57.1, 202, 203, 431, 448, 465,  
70/466; 292/288, 290, 340  
CPC ..... E05B 65/00; E05B 71/00; E05B 73/00;  
B62H 3/00; B62H 5/00  
See application file for complete search history.

\* cited by examiner

*Primary Examiner* — Prabhakar G Deshmukh  
(74) *Attorney, Agent, or Firm* — Booth Udall Fuller, PLC

(57) **CLAIM**

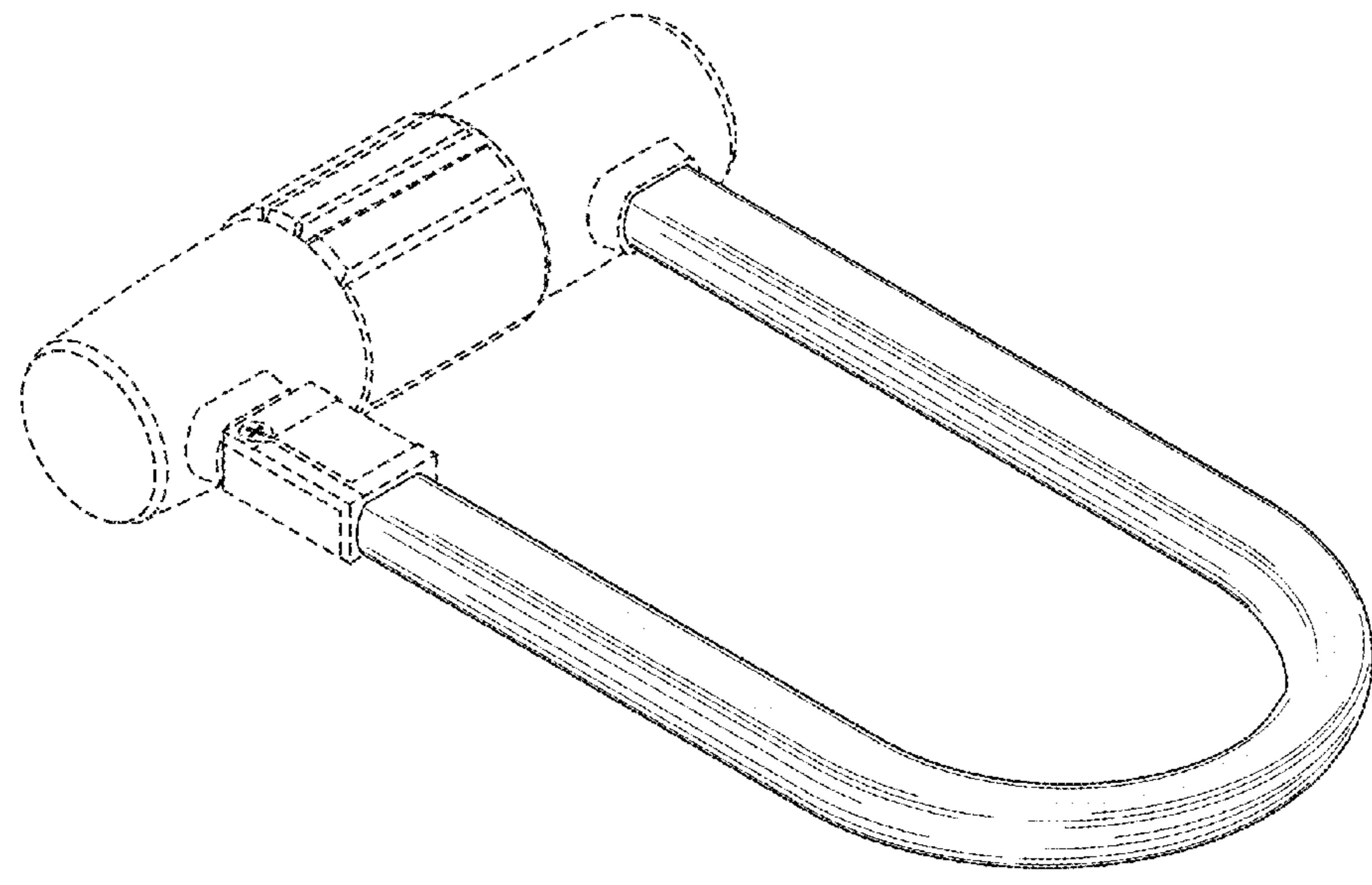
We claim the ornamental design for a bicycle lock, as shown and described.

**DESCRIPTION**

FIG. 1 is a perspective view of a bicycle lock;  
FIG. 2 is a perspective view thereof with the shackle separated from the base;  
FIG. 3 is a top view thereof;  
FIG. 4 is a bottom view thereof;  
FIG. 5 is a left side view thereof;  
FIG. 6 is a right side view thereof;  
FIG. 7 is a front elevation view thereof; and,  
FIG. 8 is a rear elevation thereof.  
The broken lines are included for the purpose of illustrating environmental features and form no part of the claimed design.

(56) **References Cited**  
U.S. PATENT DOCUMENTS  
278,229 A \* 5/1883 Egge ..... E05B 67/22  
70/38 C  
486,685 A \* 11/1892 Schultze ..... E05B 67/24  
70/38 A  
1,777,424 A \* 10/1930 Atkins ..... E05B 37/10  
70/26

**1 Claim, 4 Drawing Sheets**



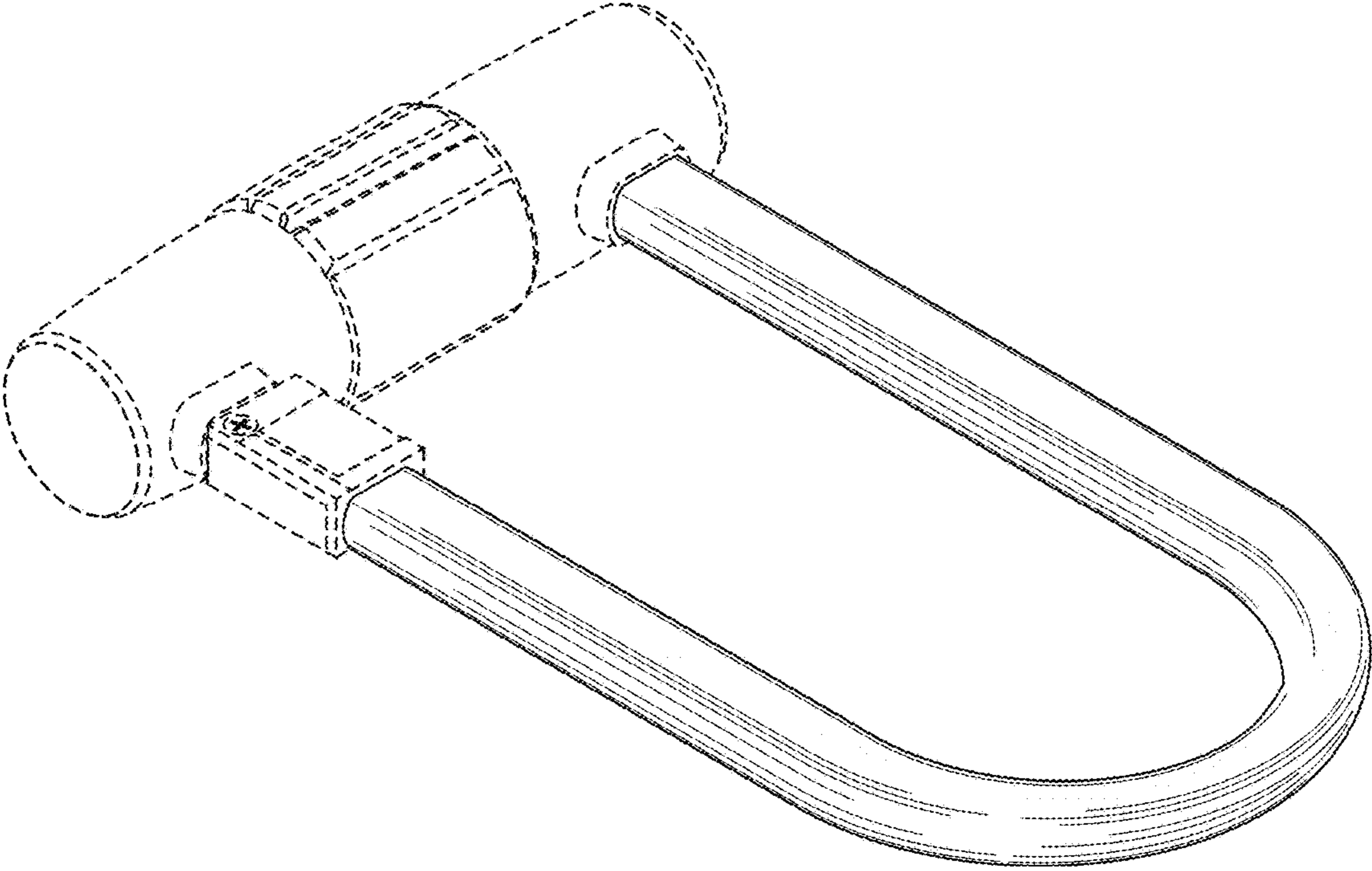


FIG. 1

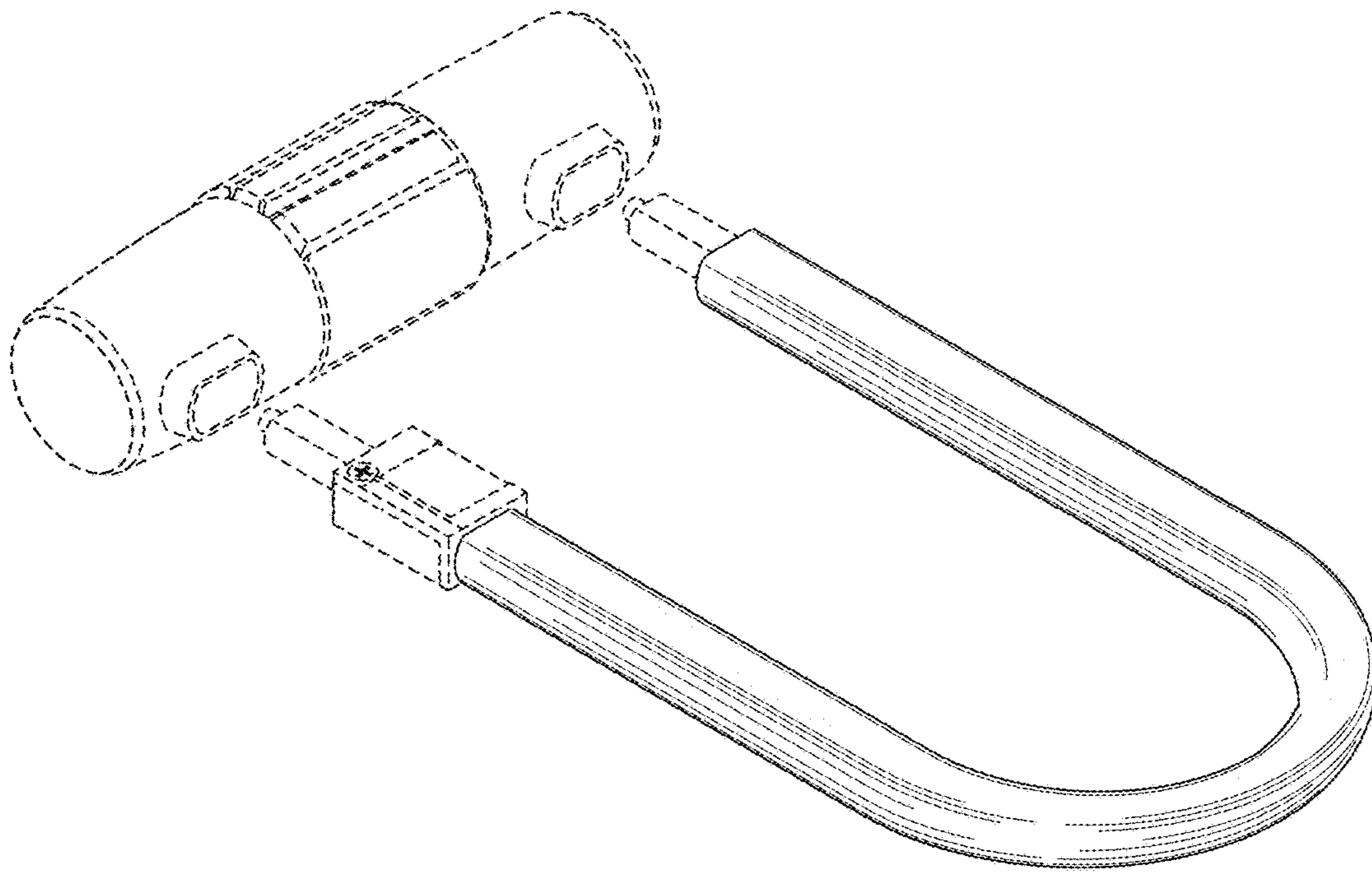


FIG. 2

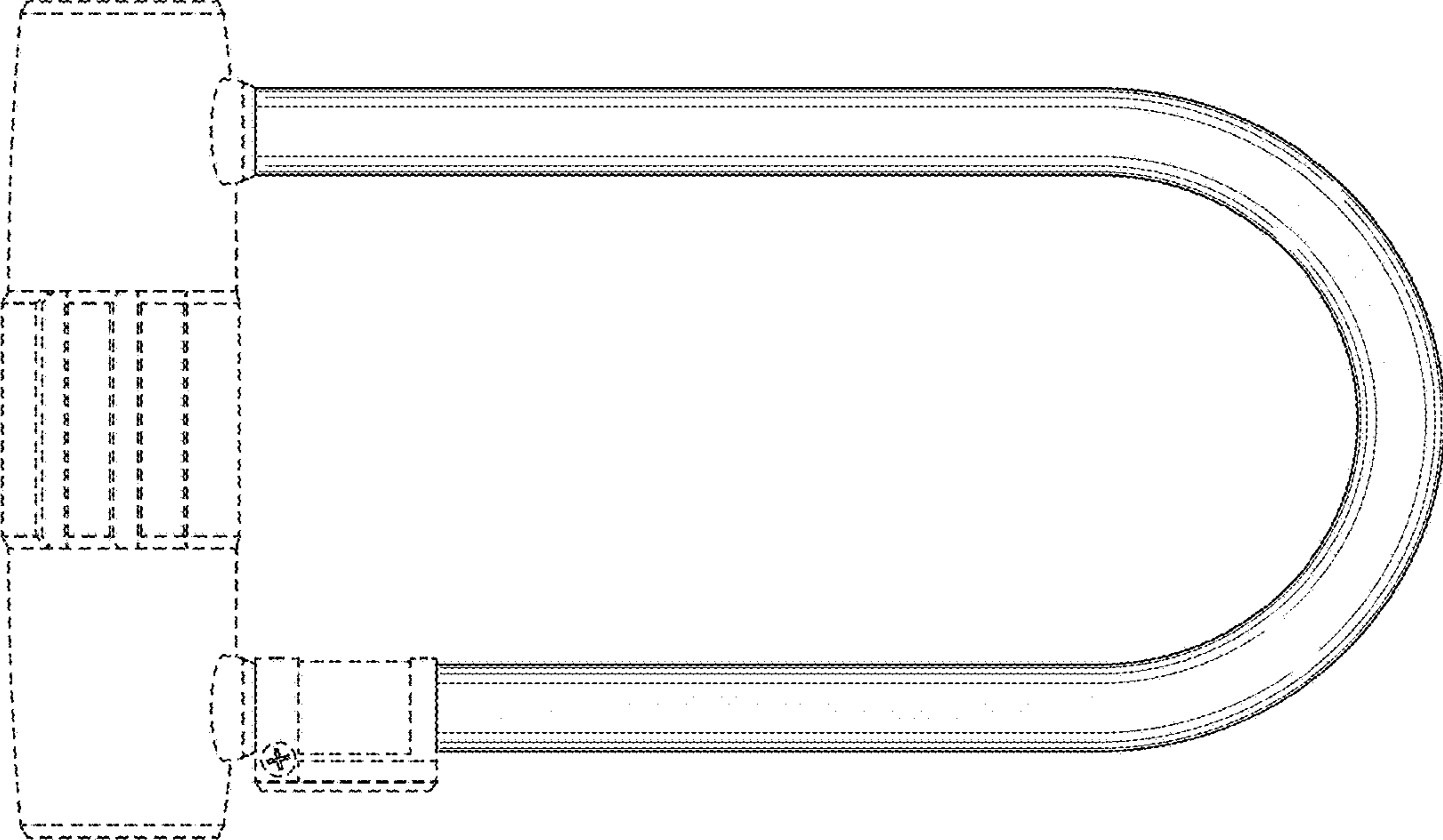


FIG. 3

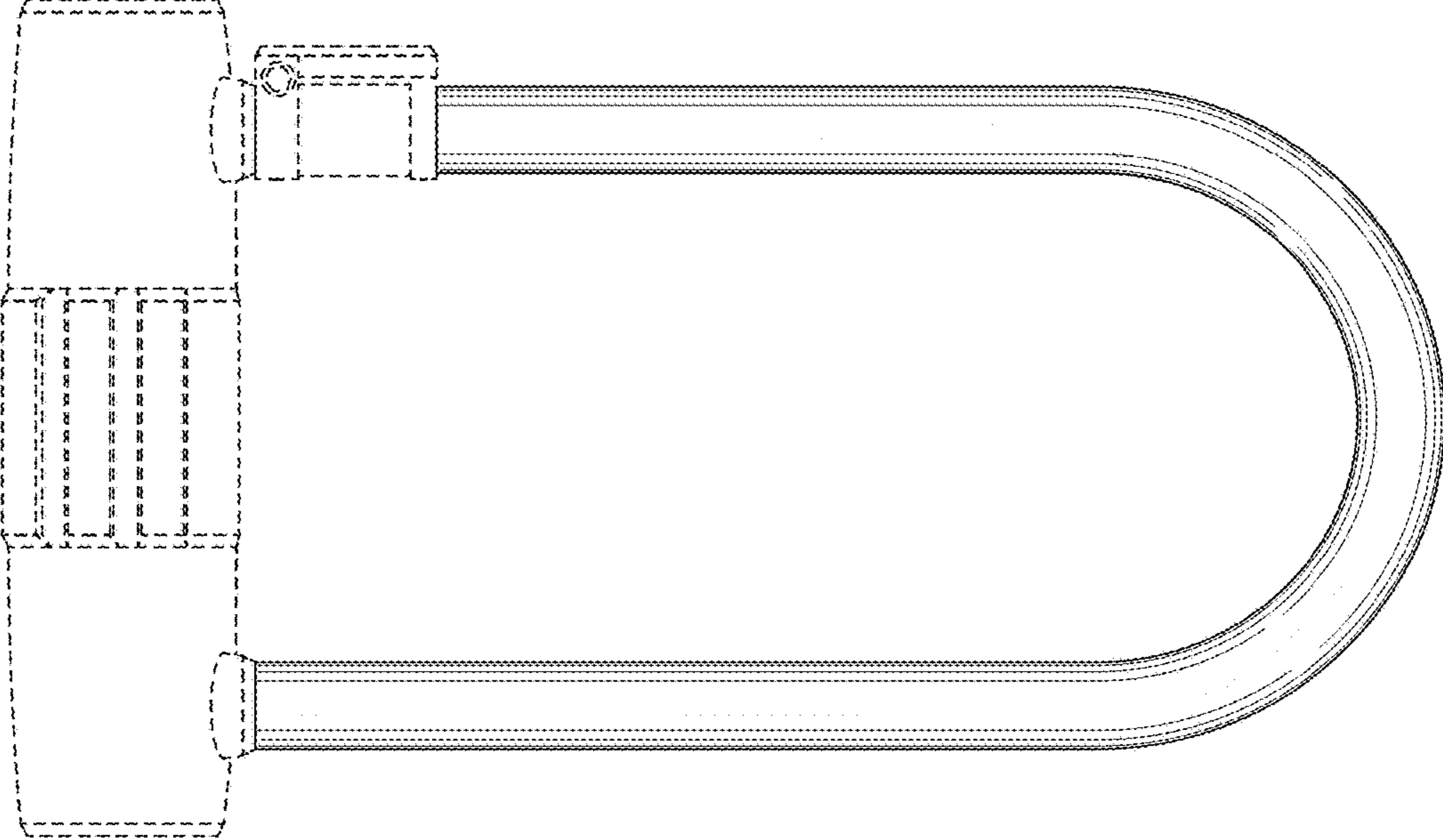


FIG. 4



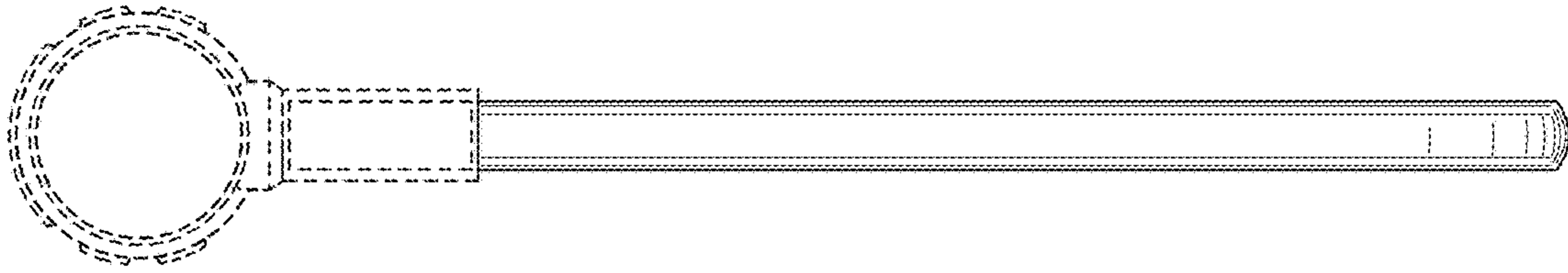


FIG. 5

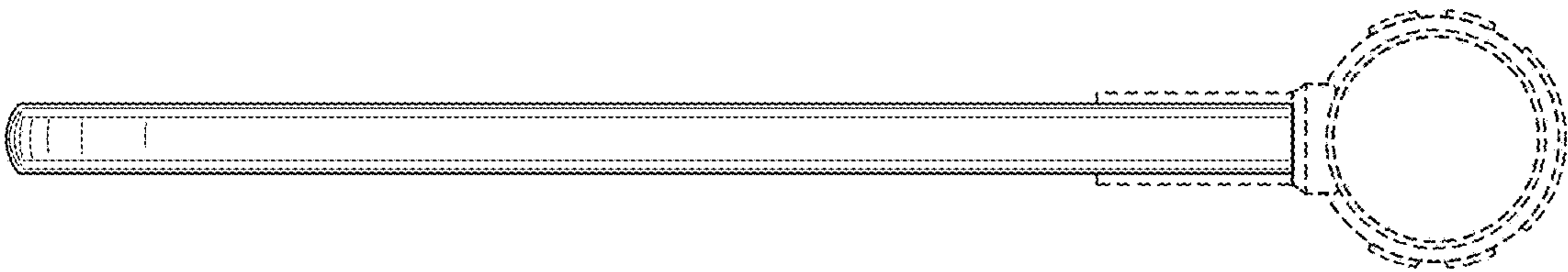


FIG. 6

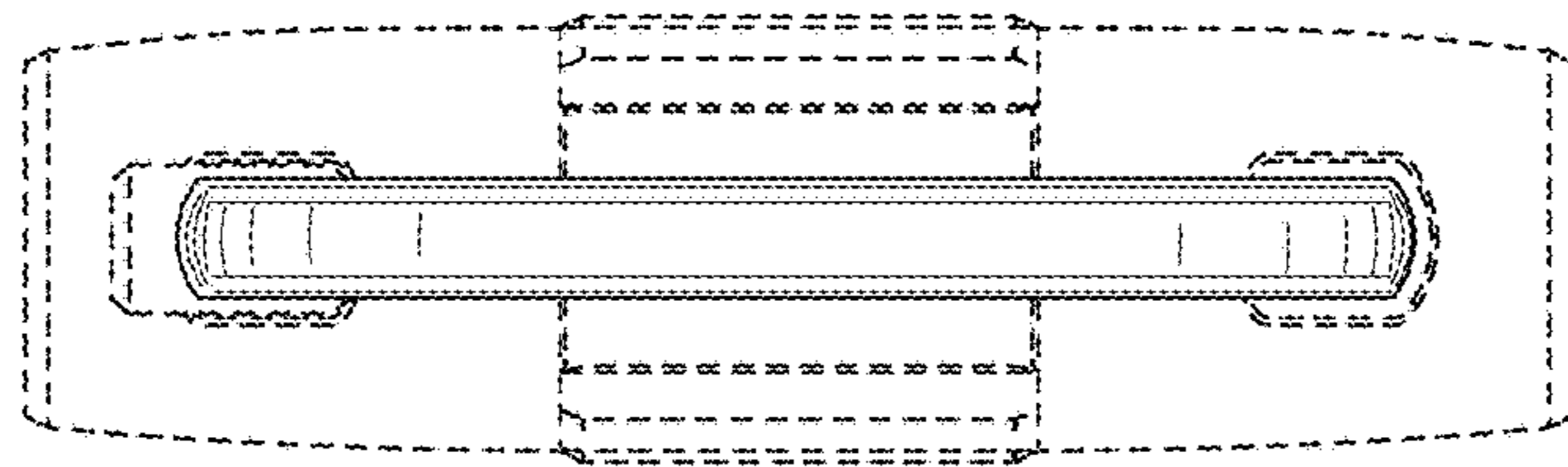


FIG. 7

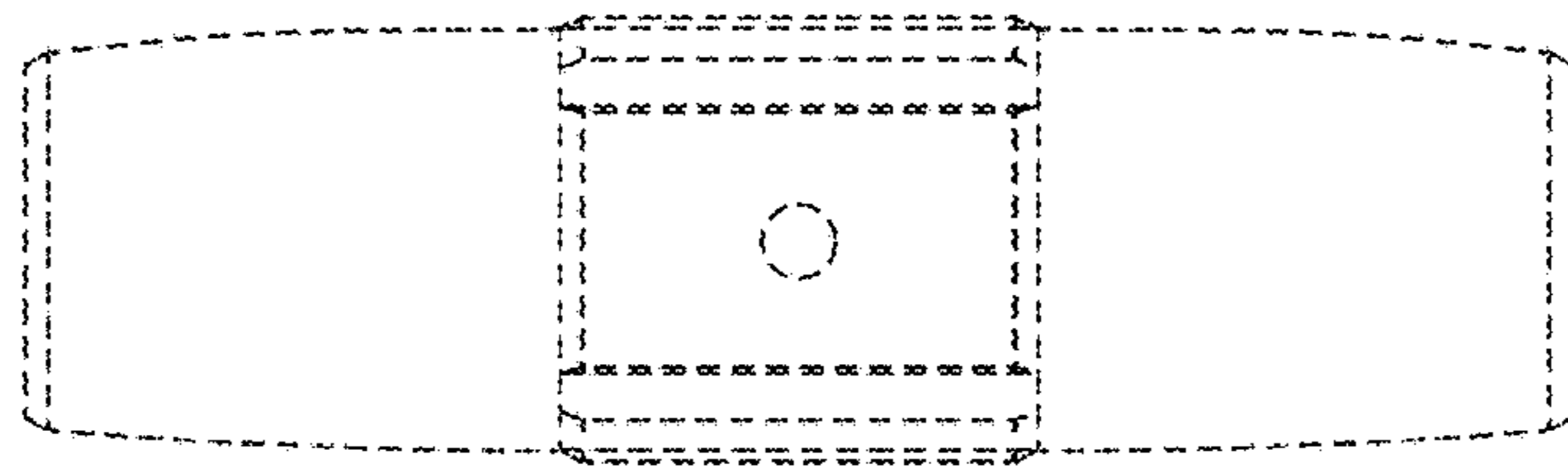


FIG. 8