



US00D798688S

(12) **United States Design Patent**
Yong et al.

(10) **Patent No.:** **US D798,688 S**

(45) **Date of Patent:** **** Oct. 3, 2017**

(54) **SMART LUGGAGE ZIPPER LOCK**

(71) Applicant: **DigiPas USA, LLC**, Avon, CT (US)

(72) Inventors: **Ming Hua Yong**, Avon, CT (US); **Kuu Bi Yong**, Singapore (SG); **Koh Wai Kin**, Singapore (SG)

(73) Assignee: **DIGIPAS USA, LLC**, Avon, CT (US)

(**) Term: **15 Years**

(21) Appl. No.: **29/548,056**

(22) Filed: **Dec. 10, 2015**

(51) **LOC (10) Cl.** **08-07**

(52) **U.S. Cl.**
USPC **D8/331; D8/330**

(58) **Field of Classification Search**
USPC D8/330, 331, 333, 342, 343; 70/14, 20, 70/21, 22, 23, 30, 50, 52, 57, 57.1, 69, 70/70, 76, 164, 233, 416, 465, DIG. 3, 70/DIG. 4
CPC E05B 65/00; E05B 65/0092
See application file for complete search history.

(56) **References Cited**

U.S. PATENT DOCUMENTS

- 4,244,086 A * 1/1981 Gregg A44B 19/301 24/386
- D291,653 S * 9/1987 Bialo D8/331
- D293,075 S * 12/1987 Gisiger D8/330

- D296,185 S * 6/1988 Scelba D8/331
- 4,756,173 A * 7/1988 Yang A44B 19/301 70/68
- 4,884,419 A * 12/1989 Ling A44B 19/301 70/312
- 6,105,213 A * 8/2000 Ye A44B 19/262 24/381
- D480,621 S * 10/2003 Ling D8/331
- D729,606 S * 5/2015 Thomson D8/330
- D729,607 S * 5/2015 Thomson D8/330
- 9,424,722 B2 * 8/2016 Adrezin G08B 13/08

* cited by examiner

Primary Examiner — Prabhakar G Deshmukh

(74) *Attorney, Agent, or Firm* — McCormick, Paulding & Huber LLP

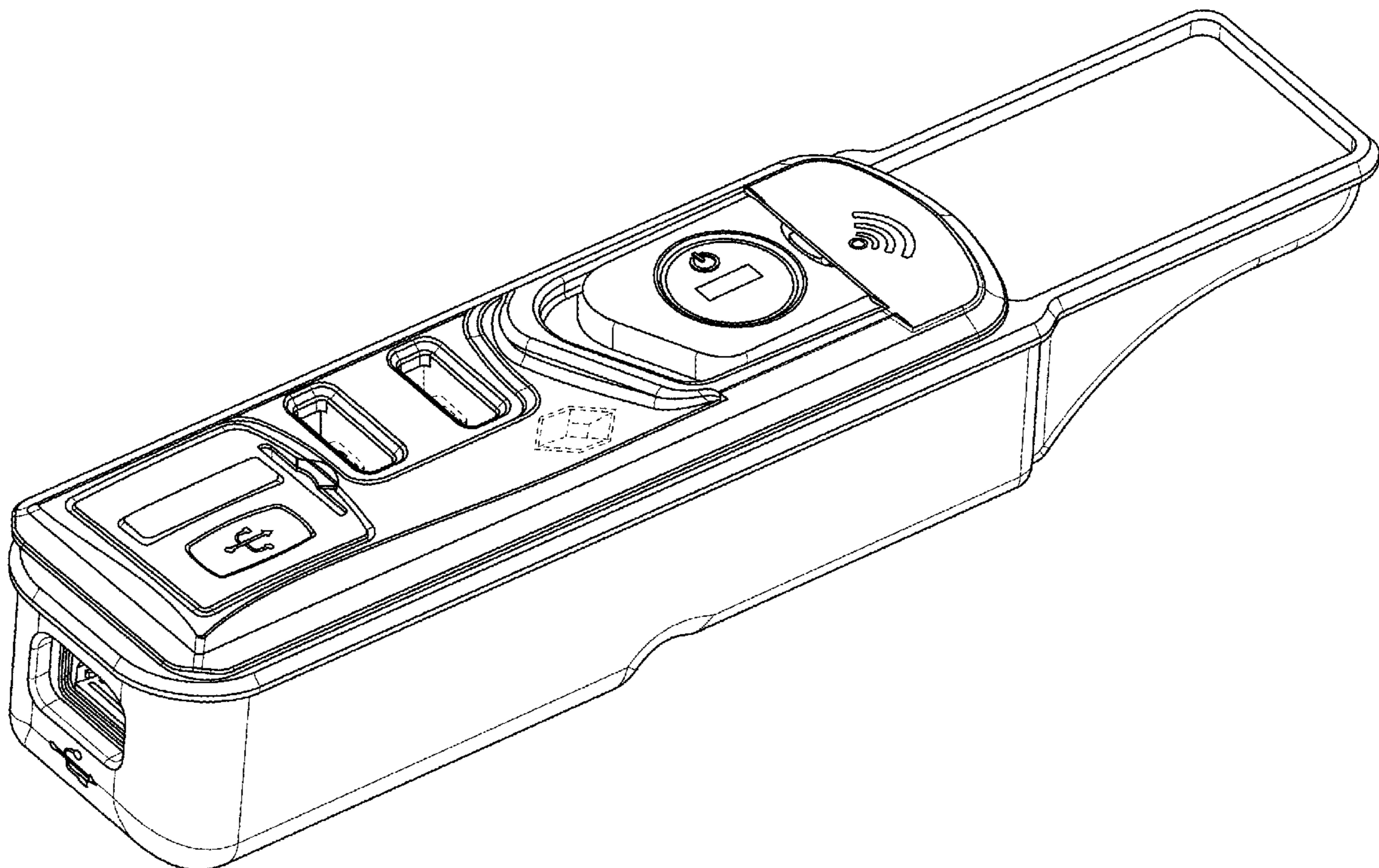
(57) **CLAIM**

The ornamental design for a smart luggage zipper lock, as shown and described.

DESCRIPTION

FIG. 1 is a perspective view of a smart luggage zipper lock, showing our new design,
 FIG. 2 is a top plan view thereof;
 FIG. 3 is a bottom plan view thereof;
 FIG. 4 is a side elevation view thereof;
 FIG. 5 is an opposite side elevation view thereof;
 FIG. 6 is a front elevation view thereof; and,
 FIG. 7 is a rear elevation view thereof.
 The broken lines shown in the drawings illustrate unclaimed portions and form no part of the claimed design.

1 Claim, 7 Drawing Sheets



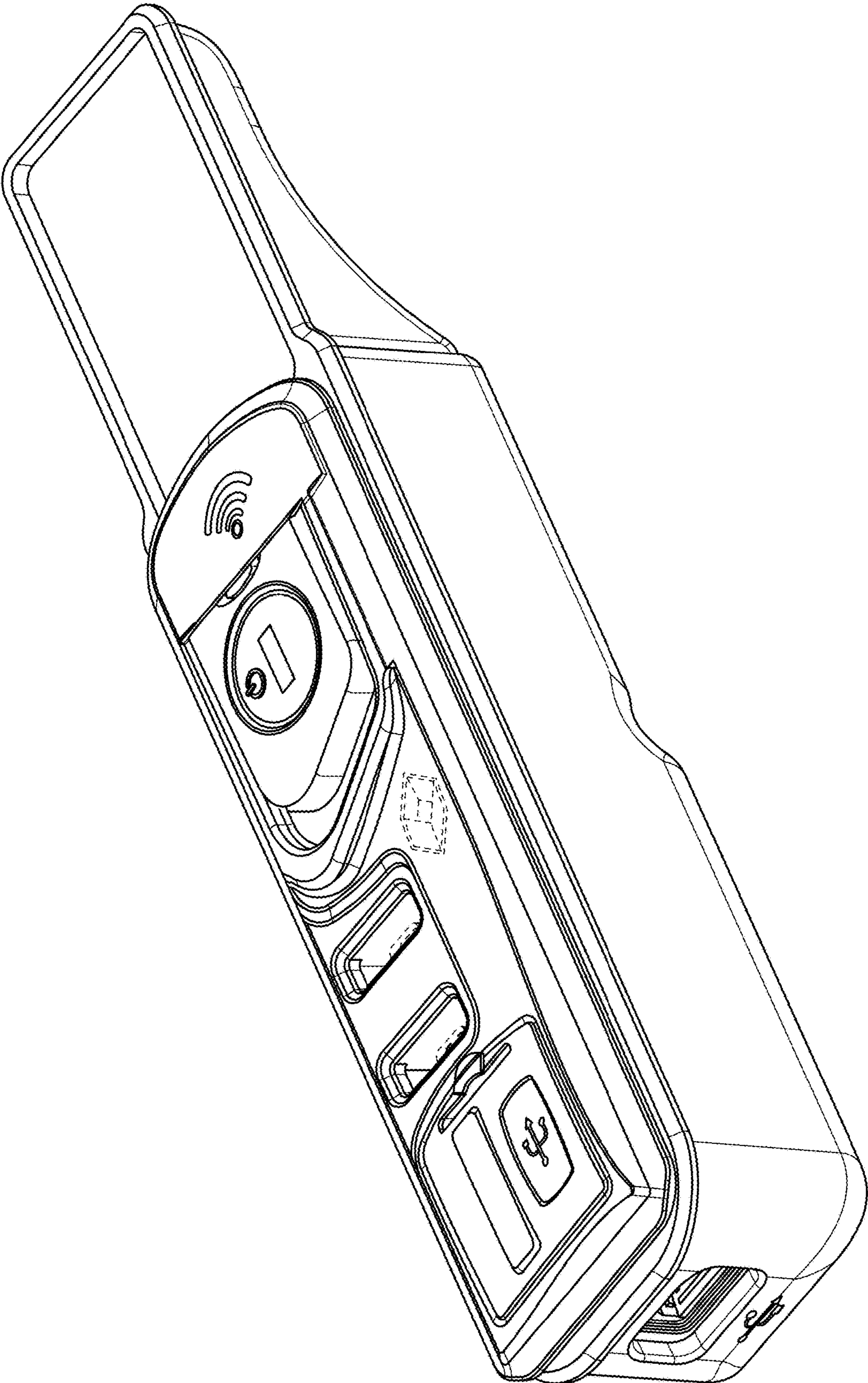


FIG. 1

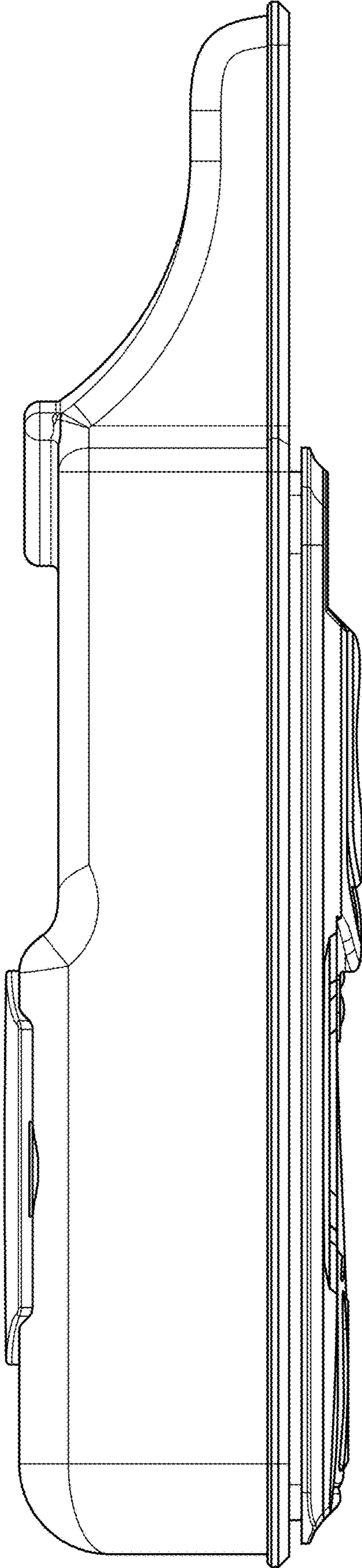


FIG. 2

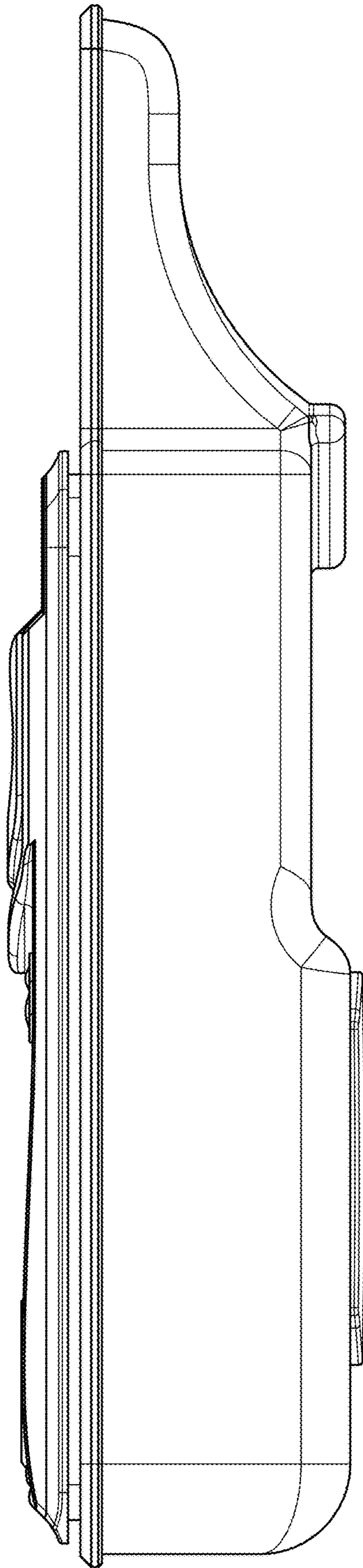


FIG. 3

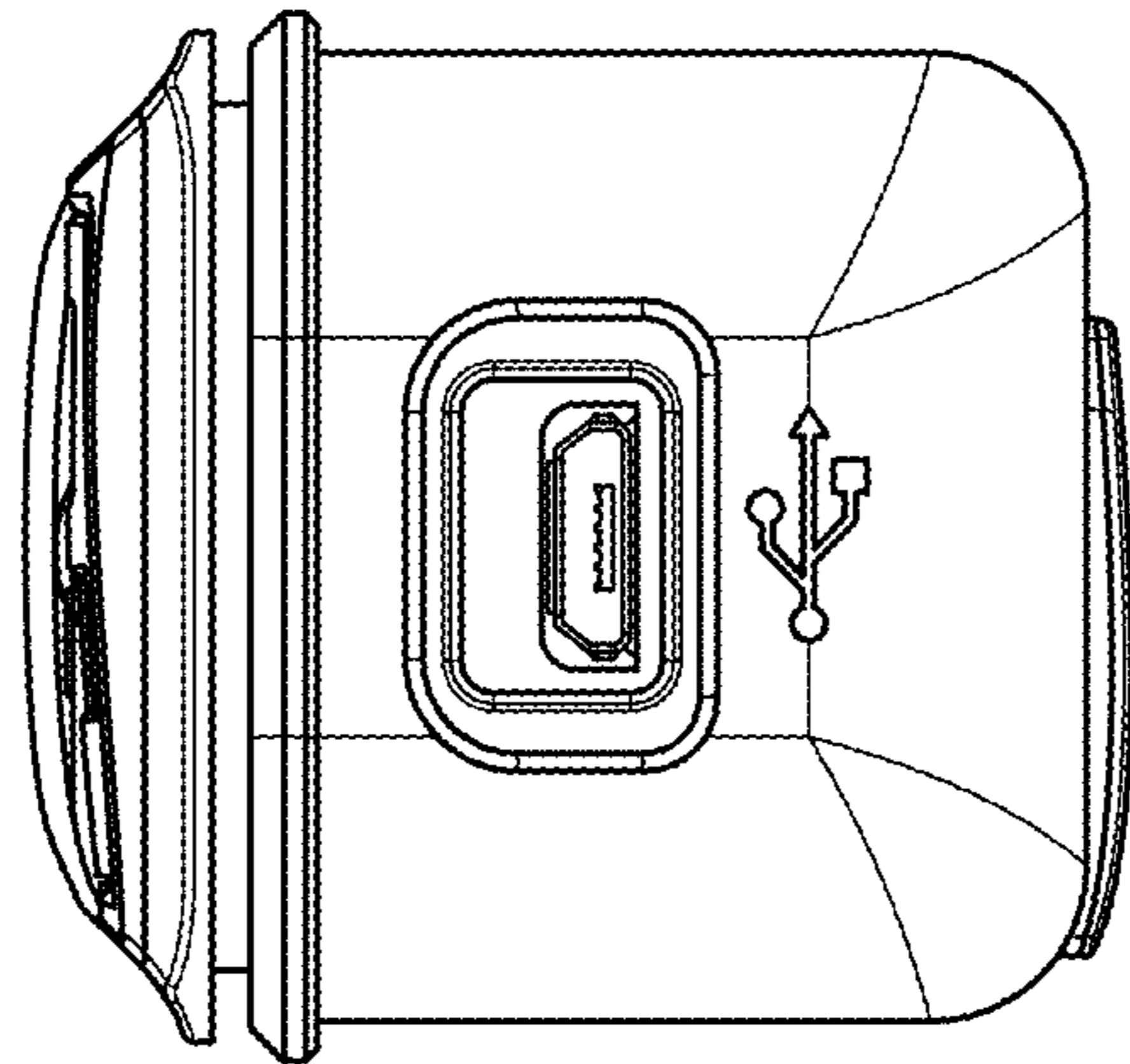


FIG. 4

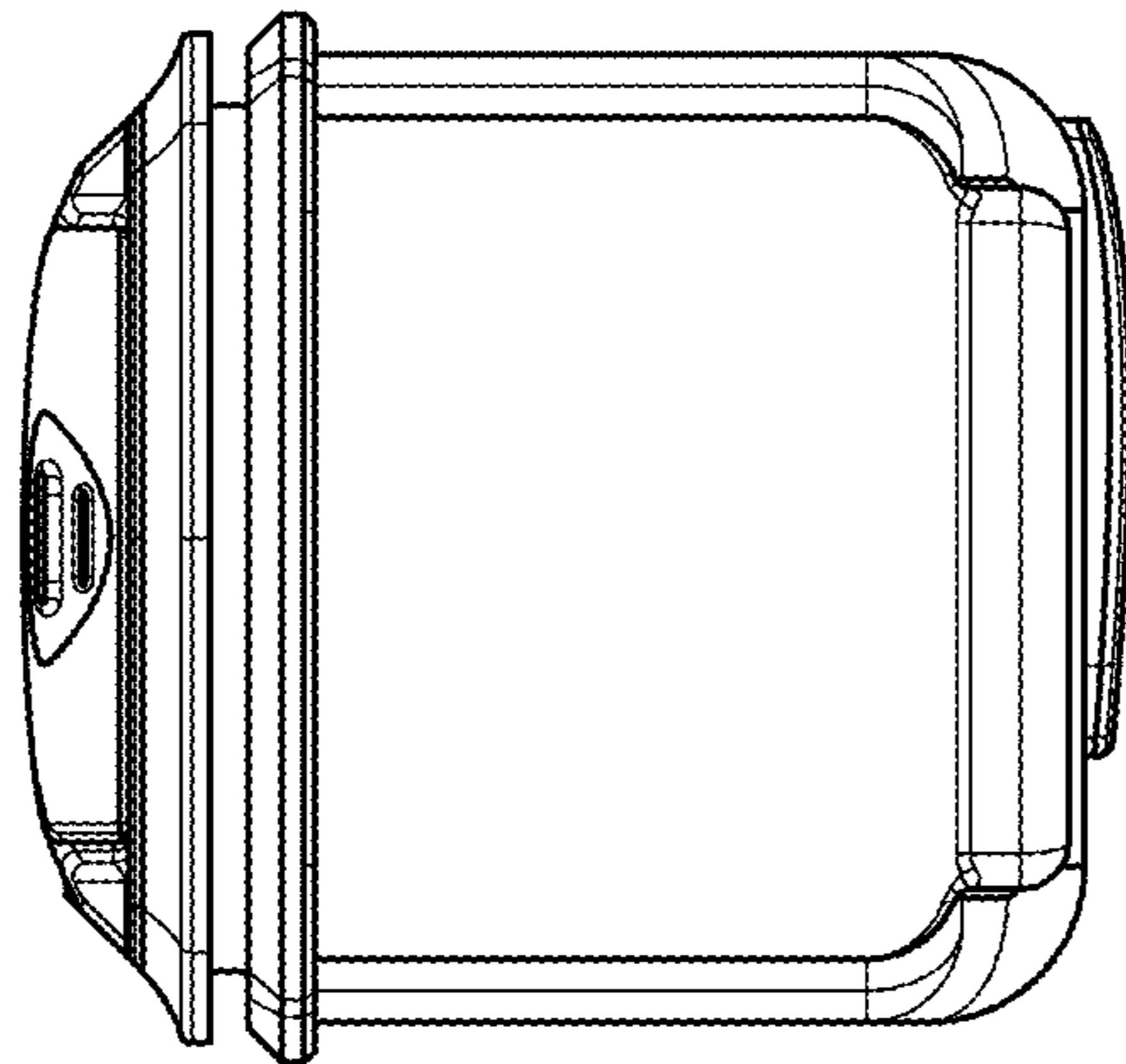


FIG. 5

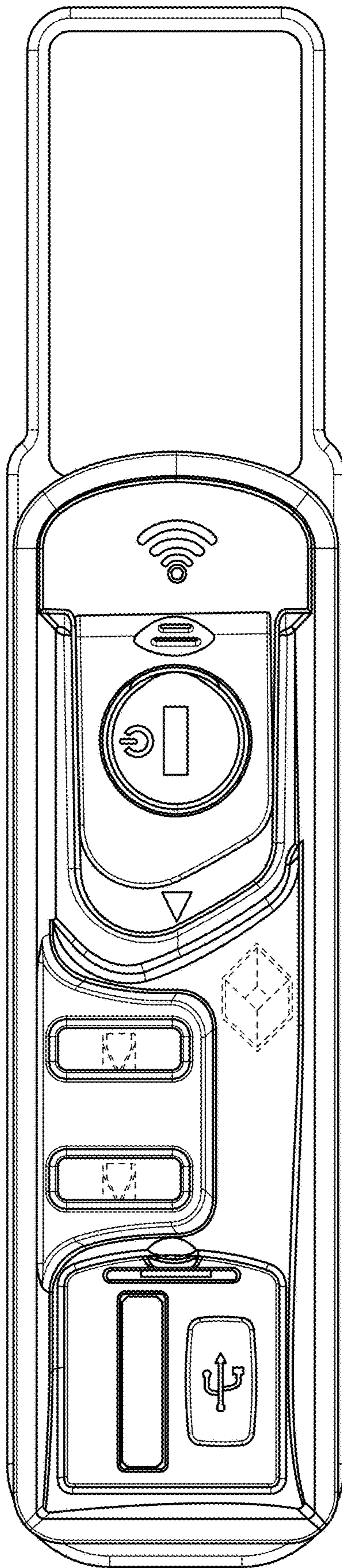


FIG. 6

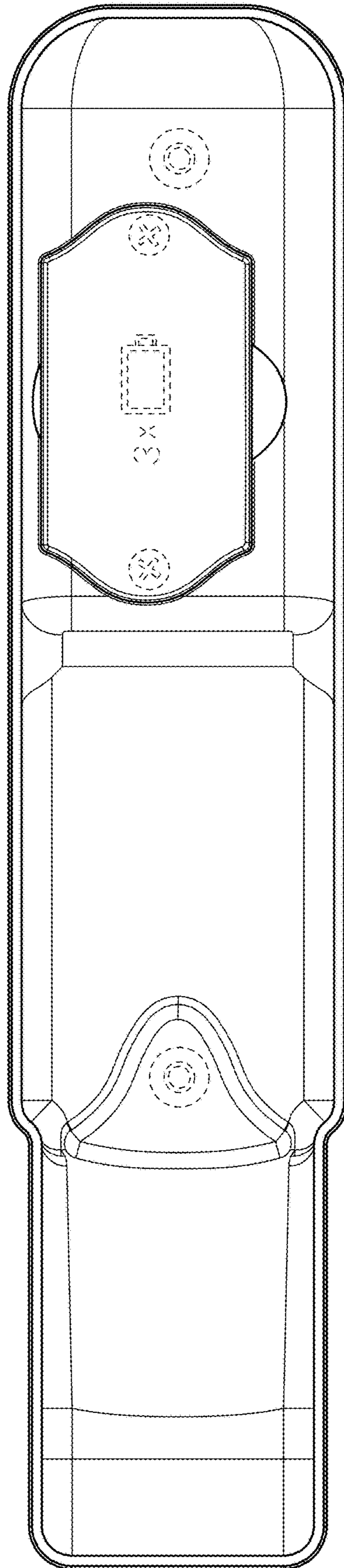


FIG. 7