



US00D798685S

(12) **United States Design Patent**
Matsui et al.

(10) **Patent No.:** **US D798,685 S**

(45) **Date of Patent:** **** Oct. 3, 2017**

(54) **JIG**
(71) Applicant: **SHOFU INC.**, Kyoto (JP)
(72) Inventors: **Norihiro Matsui**, Kyoto (JP);
Tomohiro Kai, Kyoto (JP); **Masanori Goto**, Kyoto (JP)
(73) Assignee: **Shofu Inc.** (JP)
(**) Term: **15 Years**

D420,688 S * 2/2000 Ichihara D15/143
D460,469 S * 7/2002 Yue D15/140
D467,485 S * 12/2002 Daniels D15/140
D488,696 S * 4/2004 Merritt D8/70
7,243,429 B2 * 7/2007 Landes H02G 1/1292
30/90.1
D623,034 S * 9/2010 Evatt D8/70
D646,542 S * 10/2011 Wackwitz D8/70
D653,523 S * 2/2012 Wackwitz D15/138
D665,242 S * 8/2012 Wackwitz D15/140
D682,651 S * 5/2013 McRoberts D8/20
D696,093 S * 12/2013 Mackay-Sim D8/70
D714,119 S * 9/2014 Graber D8/70

(Continued)

(21) Appl. No.: **29/562,888**

(22) Filed: **Apr. 29, 2016**

Primary Examiner — Darlington Ly

(74) *Attorney, Agent, or Firm* — Saidman DesignLaw Group, LLC

(30) **Foreign Application Priority Data**

Oct. 31, 2015 (JP) 2015-024416
Oct. 31, 2015 (JP) 2015-024417
Oct. 31, 2015 (JP) 2015-024418
Oct. 31, 2015 (JP) 2015-024419
Oct. 31, 2015 (JP) 2015-024420

(51) **LOC (10) Cl.** **08-05**

(52) **U.S. Cl.**
USPC **D8/70**

(58) **Field of Classification Search**
USPC D8/70, 71, 74, 354; D15/140, 143, 147
CPC B25F 5/021; B25F 5/029; B27C 5/10
See application file for complete search history.

(56) **References Cited**

U.S. PATENT DOCUMENTS

D263,199 S * 3/1982 Lockie D8/71
D271,978 S * 12/1983 Bagby D15/138
D319,565 S * 9/1991 Krogsgaard D15/138
D329,182 S * 9/1992 Challis D15/140
5,664,913 A * 9/1997 Scholz B23B 49/02
408/115 B
D412,511 S * 8/1999 Lefevre D15/140

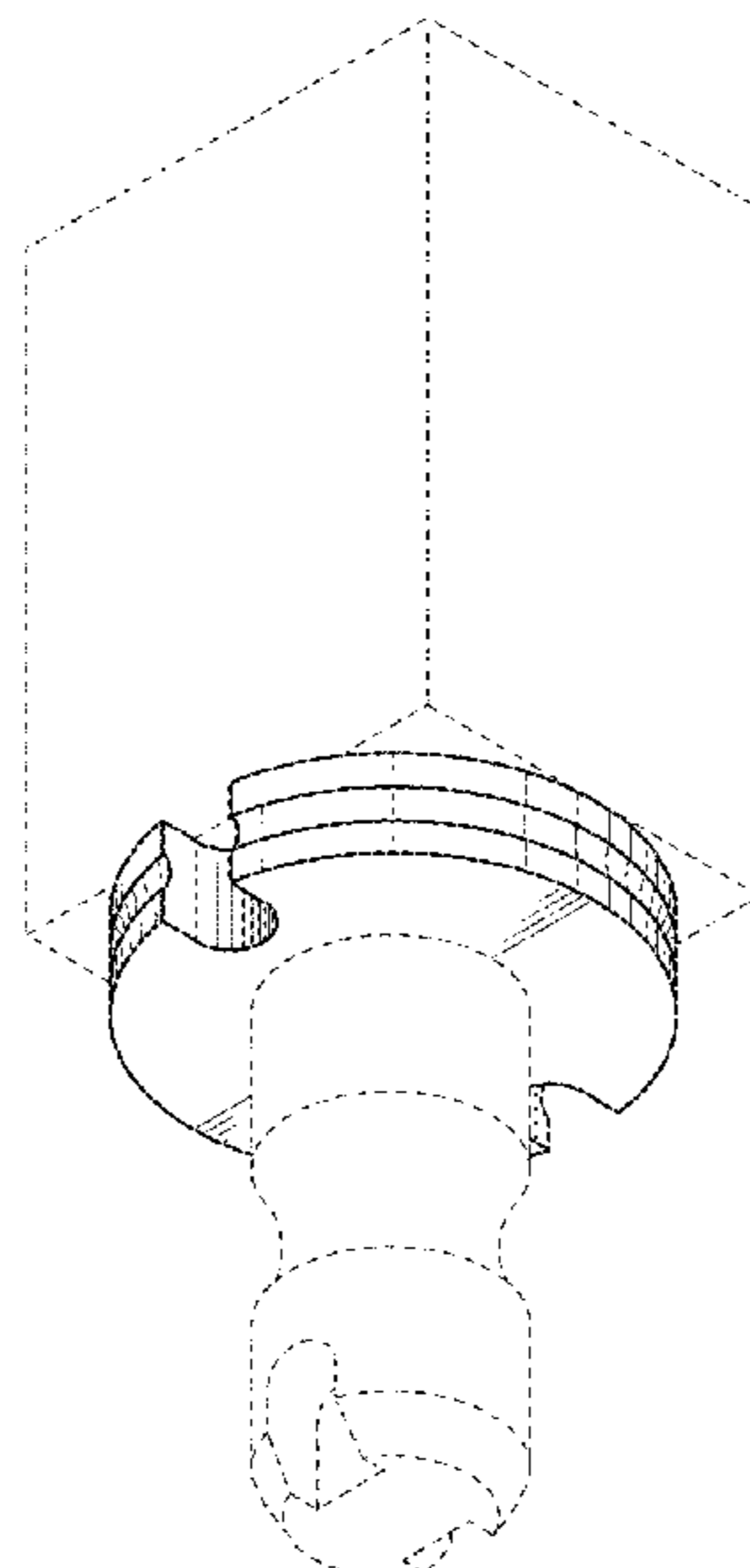
(57) **CLAIM**

The ornamental design for a jig, as shown and described.

DESCRIPTION

FIG. 1 is a perspective view of a jig showing our new design;
FIG. 2 is a front elevational view thereof;
FIG. 3 is a rear elevational view thereof;
FIG. 4 is a left side elevational view thereof;
FIG. 5 is a right side elevational view thereof;
FIG. 6 is a top plan view thereof;
FIG. 7 is a bottom plan view thereof;
FIG. 8 is a perspective view of a second embodiment thereof;
FIG. 9 is a front elevational view thereof;
FIG. 10 is a rear elevational view thereof;
FIG. 11 is a left side elevational view thereof;
FIG. 12 is a right side elevational view thereof;
FIG. 13 is a top plan view thereof; and,
FIG. 14 is a bottom plan view thereof.
The broken lines illustrate structure or features that form no part of the claimed design.

1 Claim, 4 Drawing Sheets



(56)

References Cited

U.S. PATENT DOCUMENTS

D738,178 S * 9/2015 Eisinger D8/70
2002/0022444 A1 * 2/2002 Littlefield B24B 23/00
451/353
2013/0149057 A1 * 6/2013 Nisikawa B23B 51/048
408/83

* cited by examiner

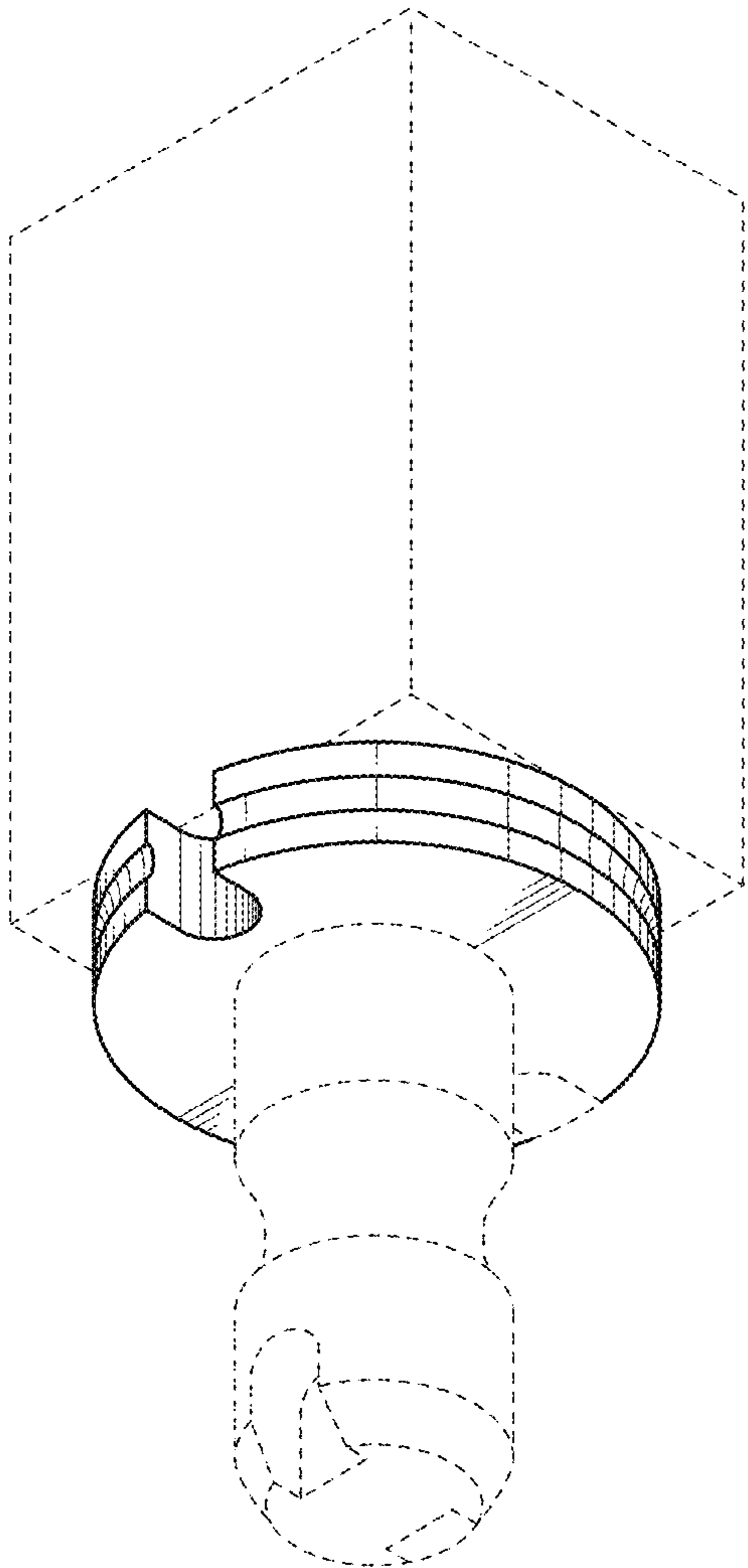


FIG. 1

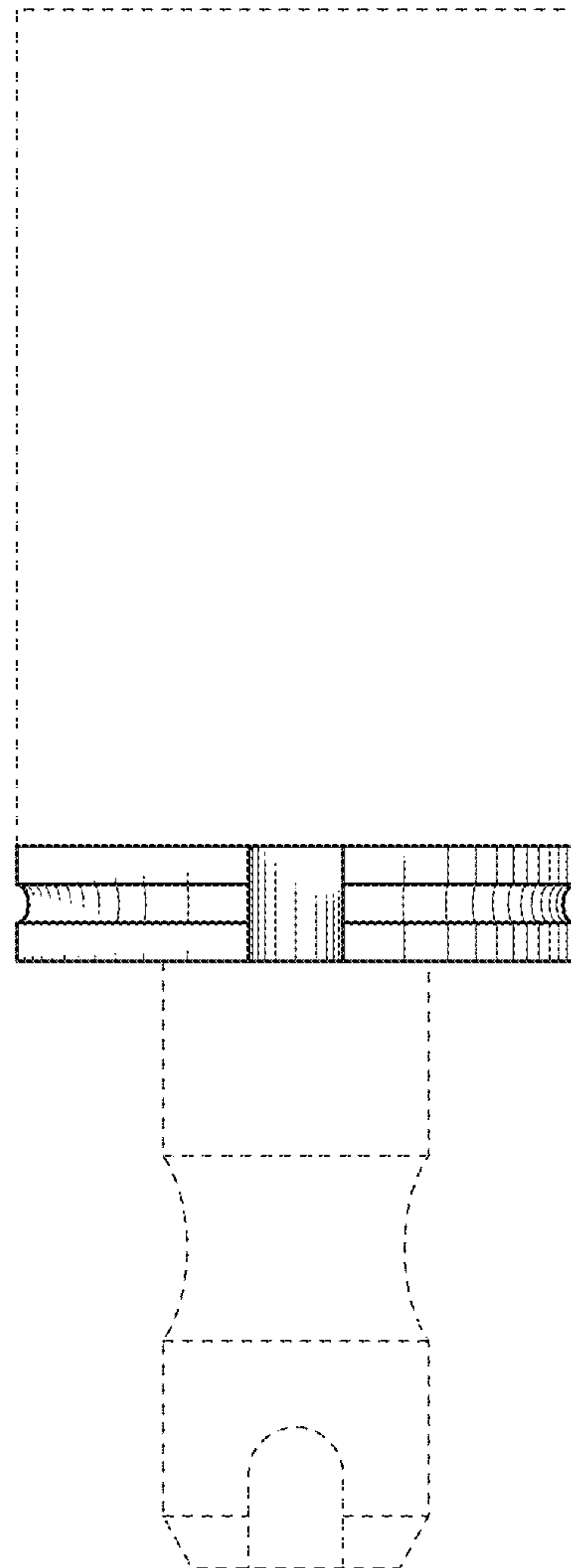


FIG. 2

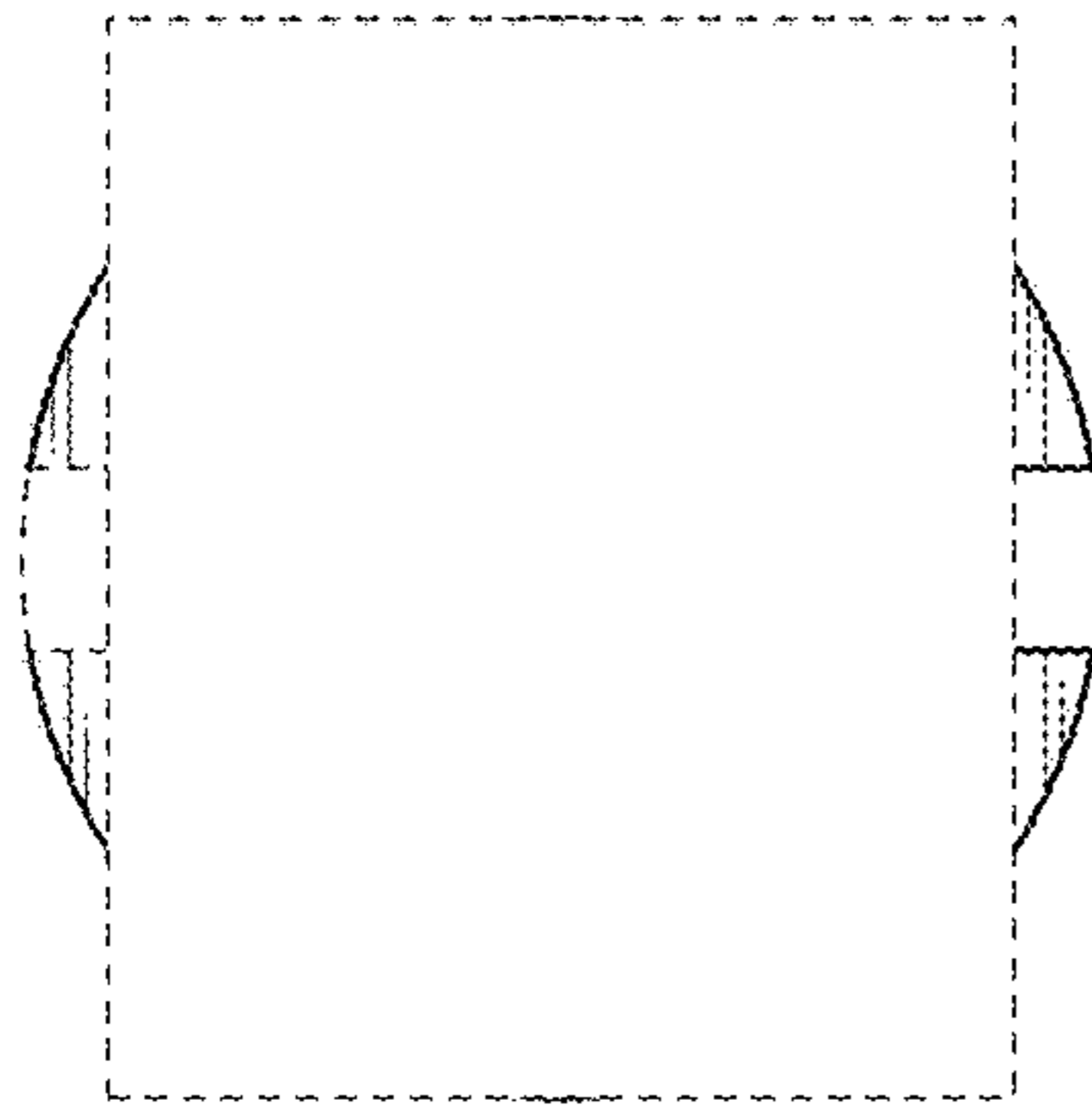


FIG. 6

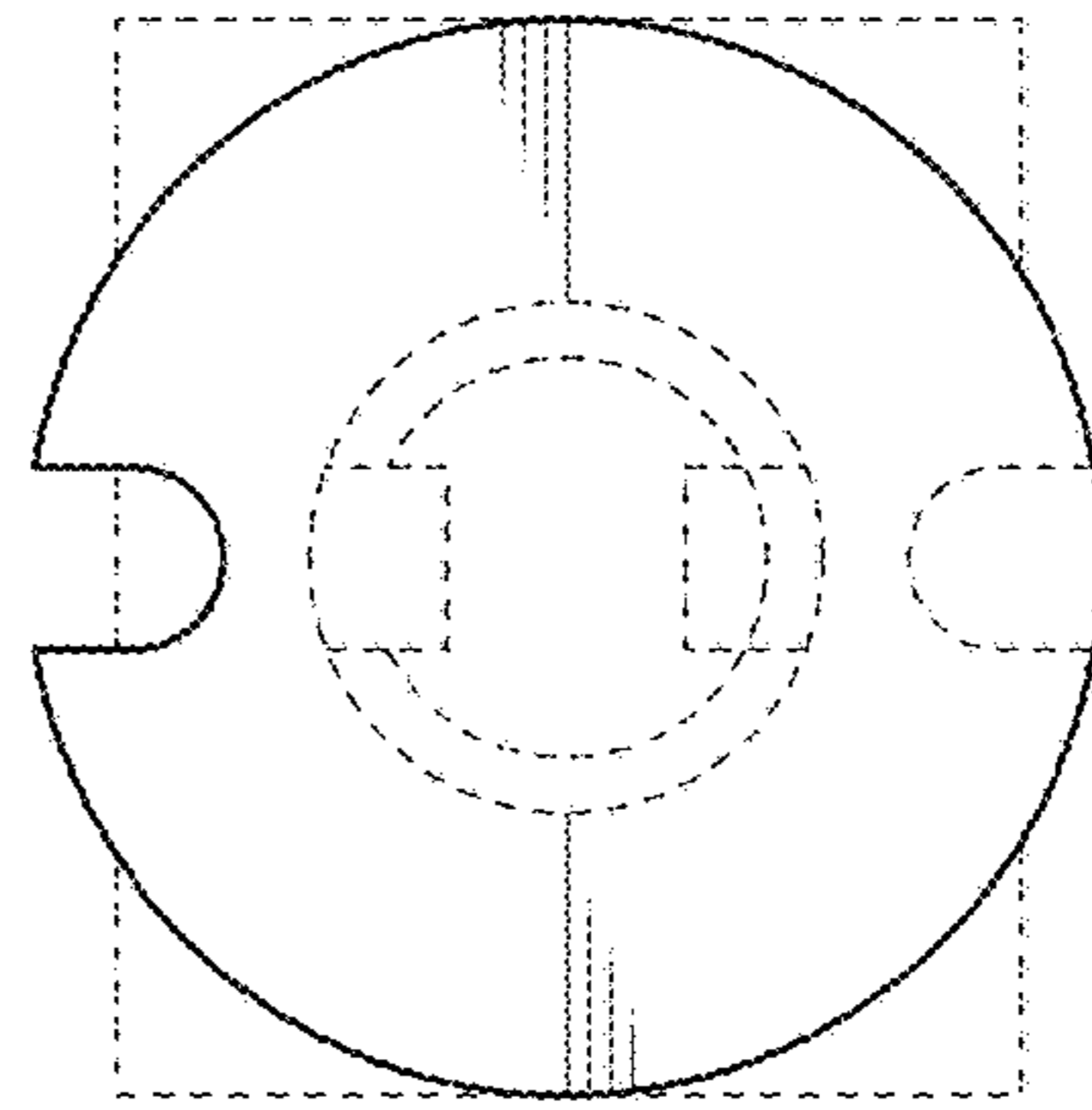


FIG. 7

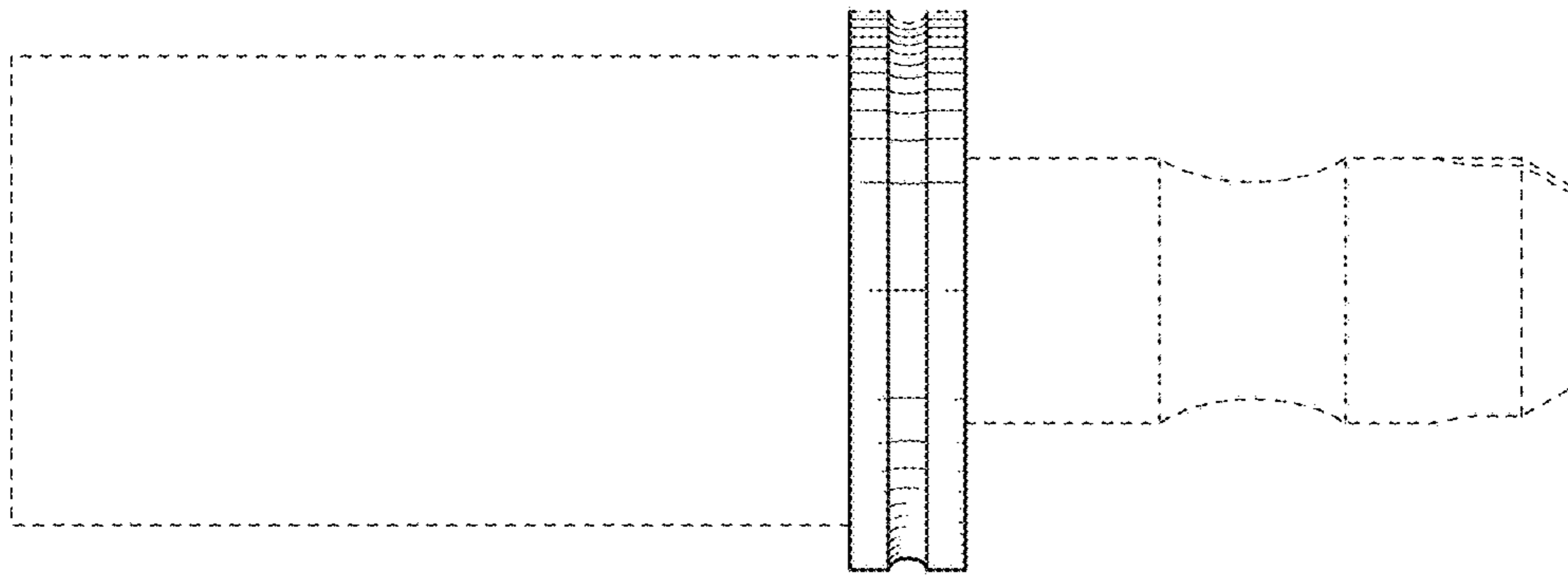


FIG. 5

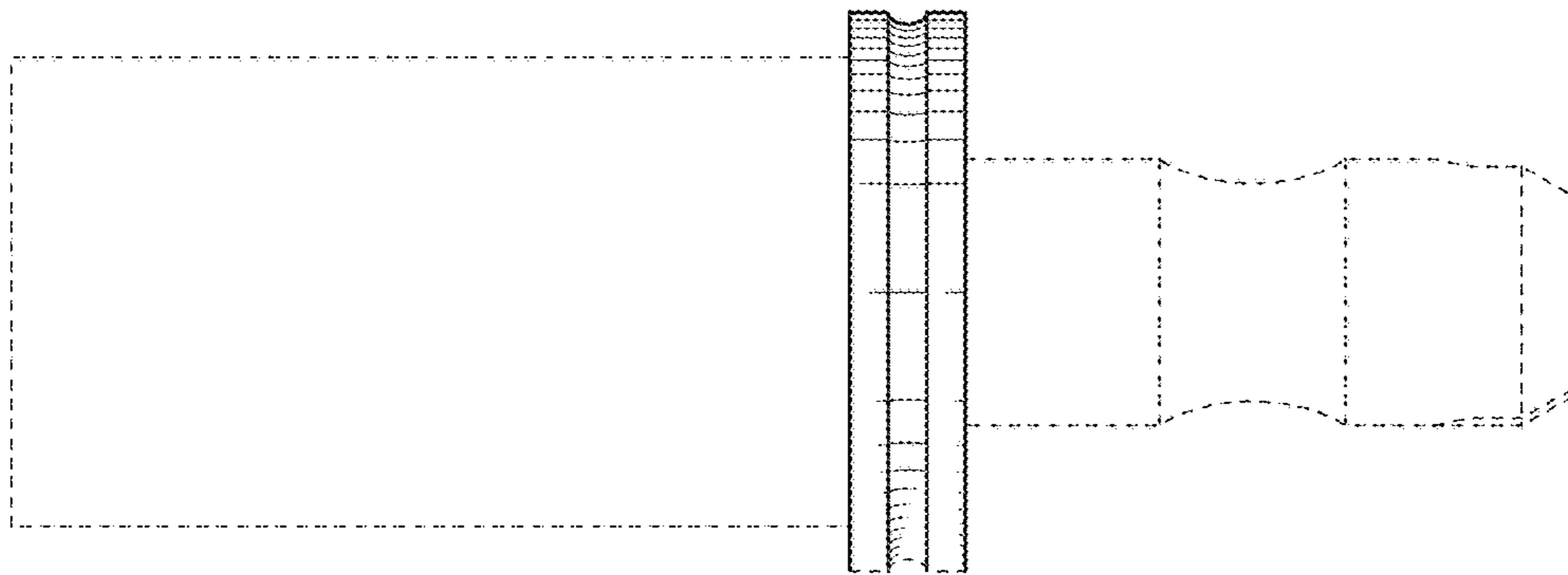


FIG. 4

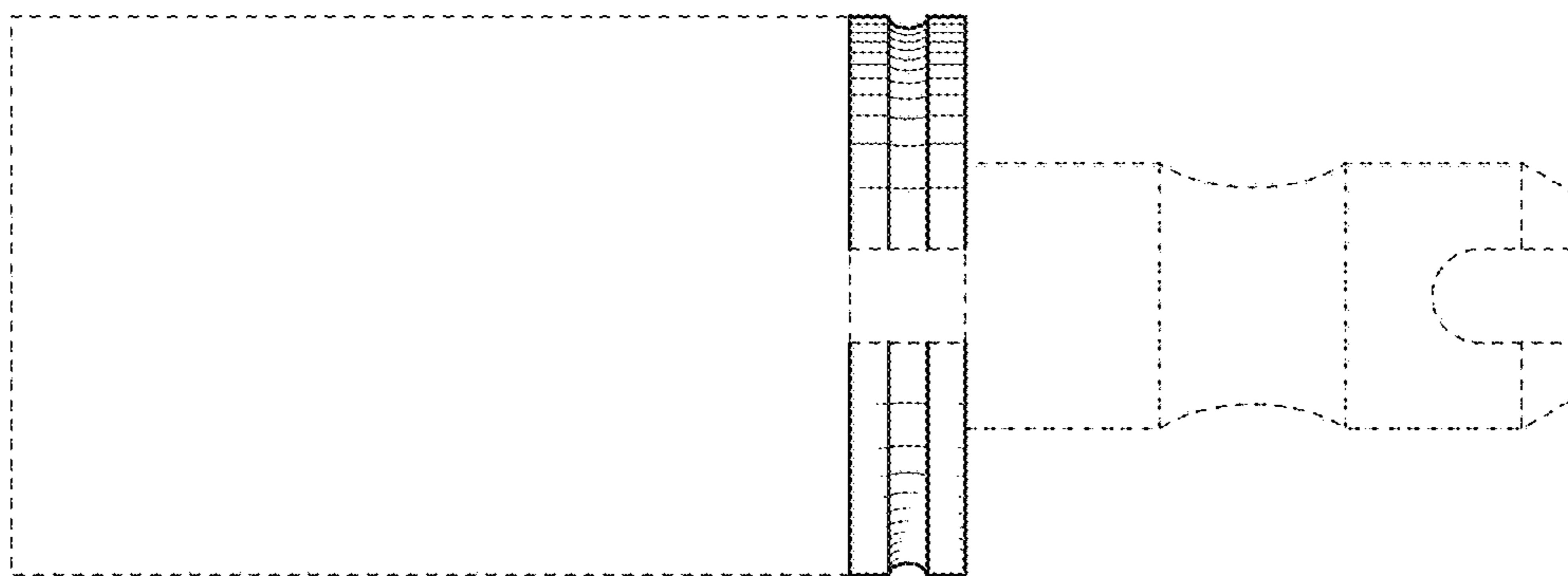


FIG. 3

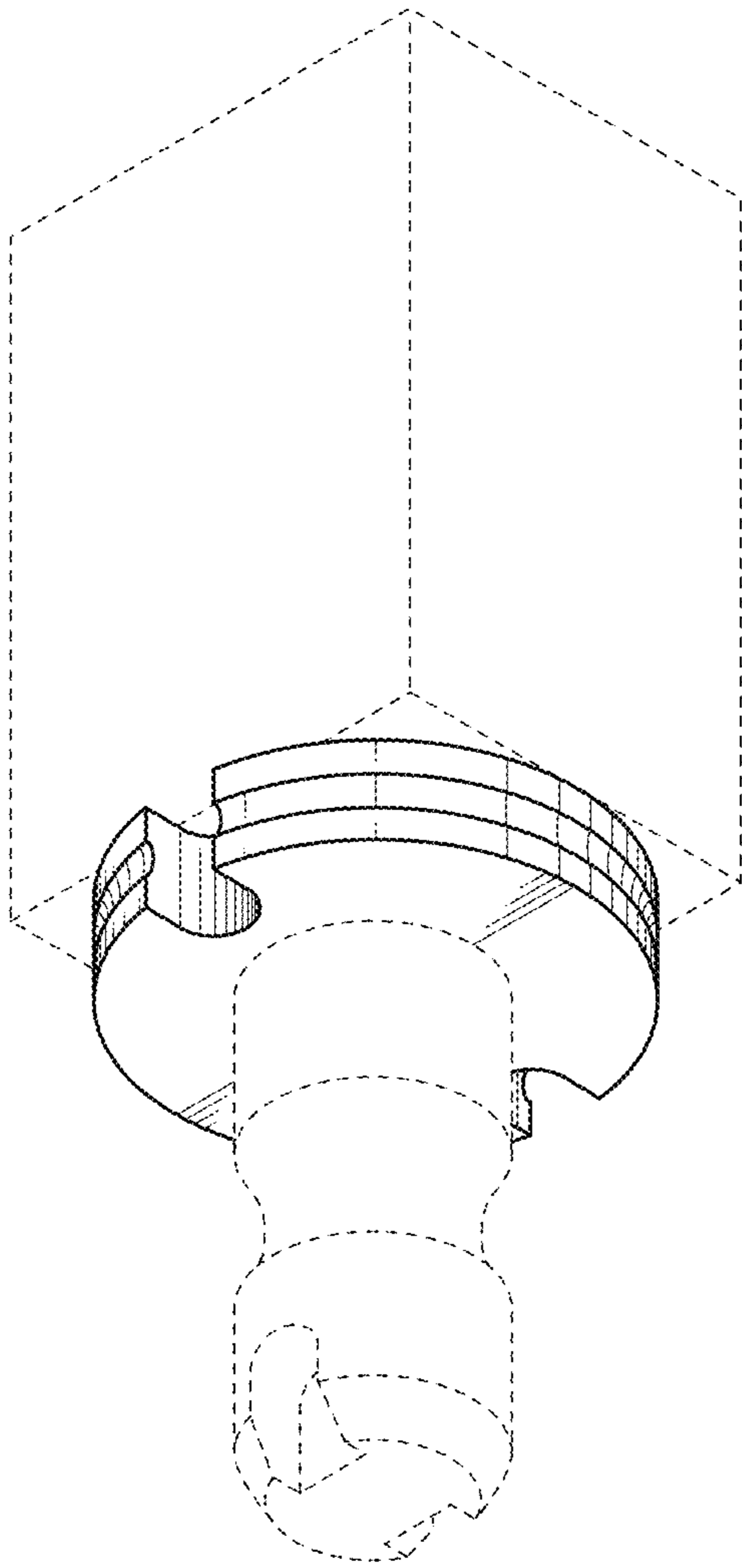


FIG. 8

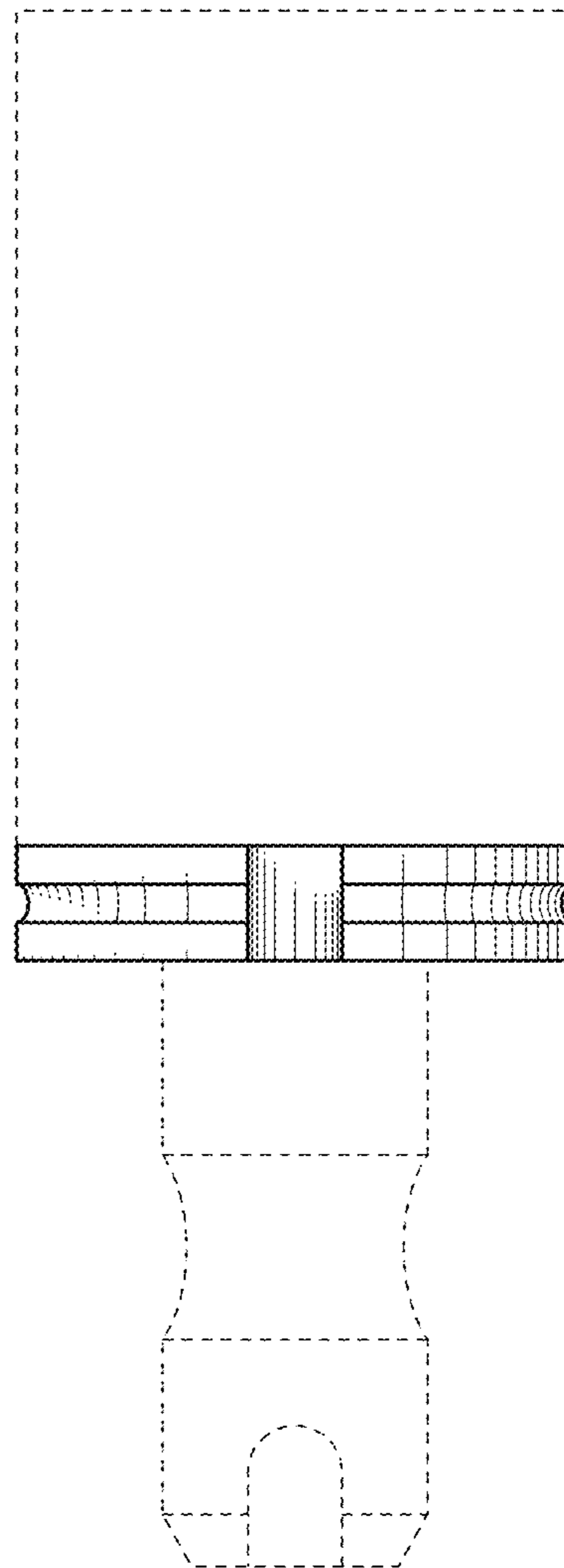


FIG. 9

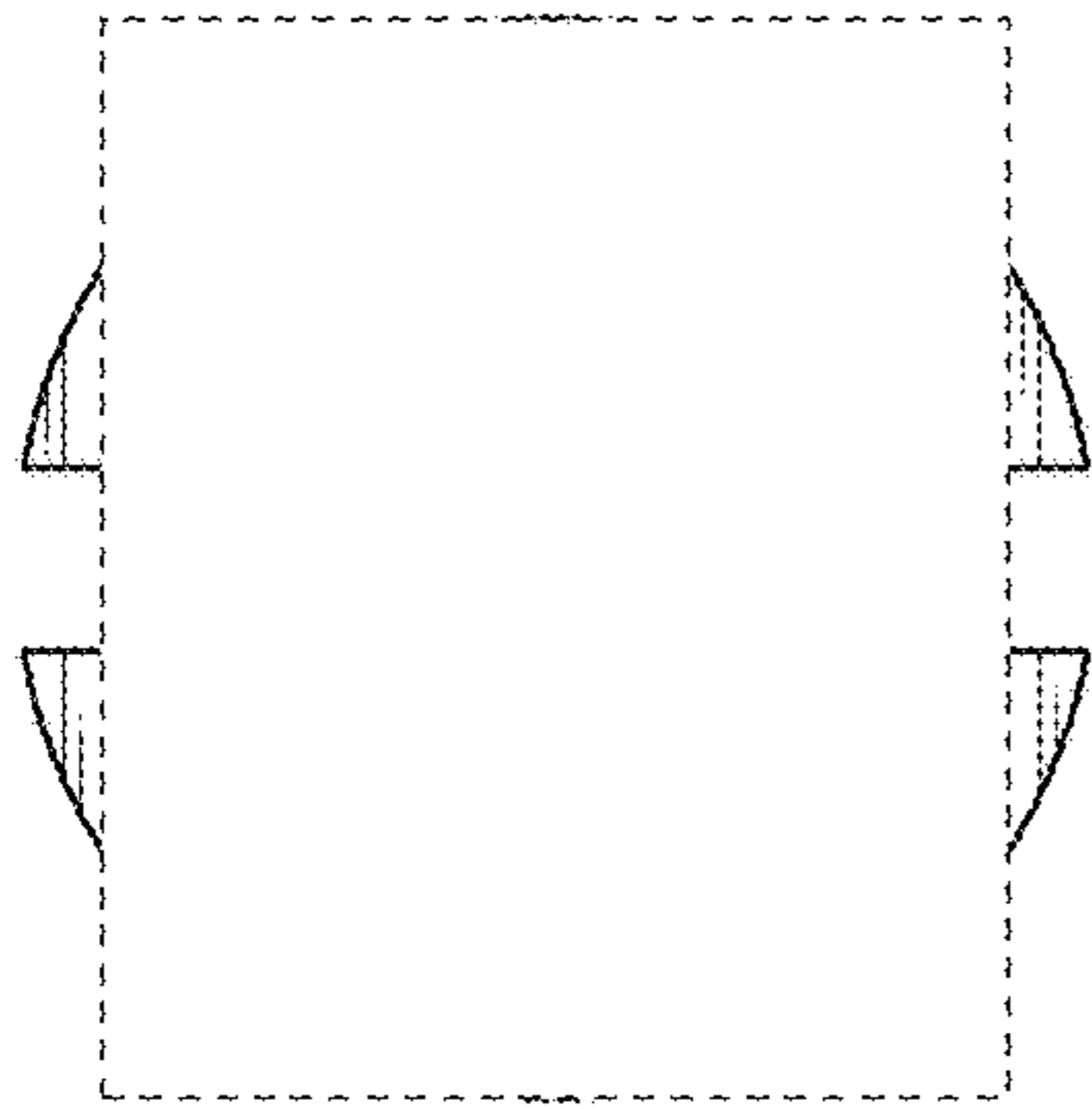


FIG. 13

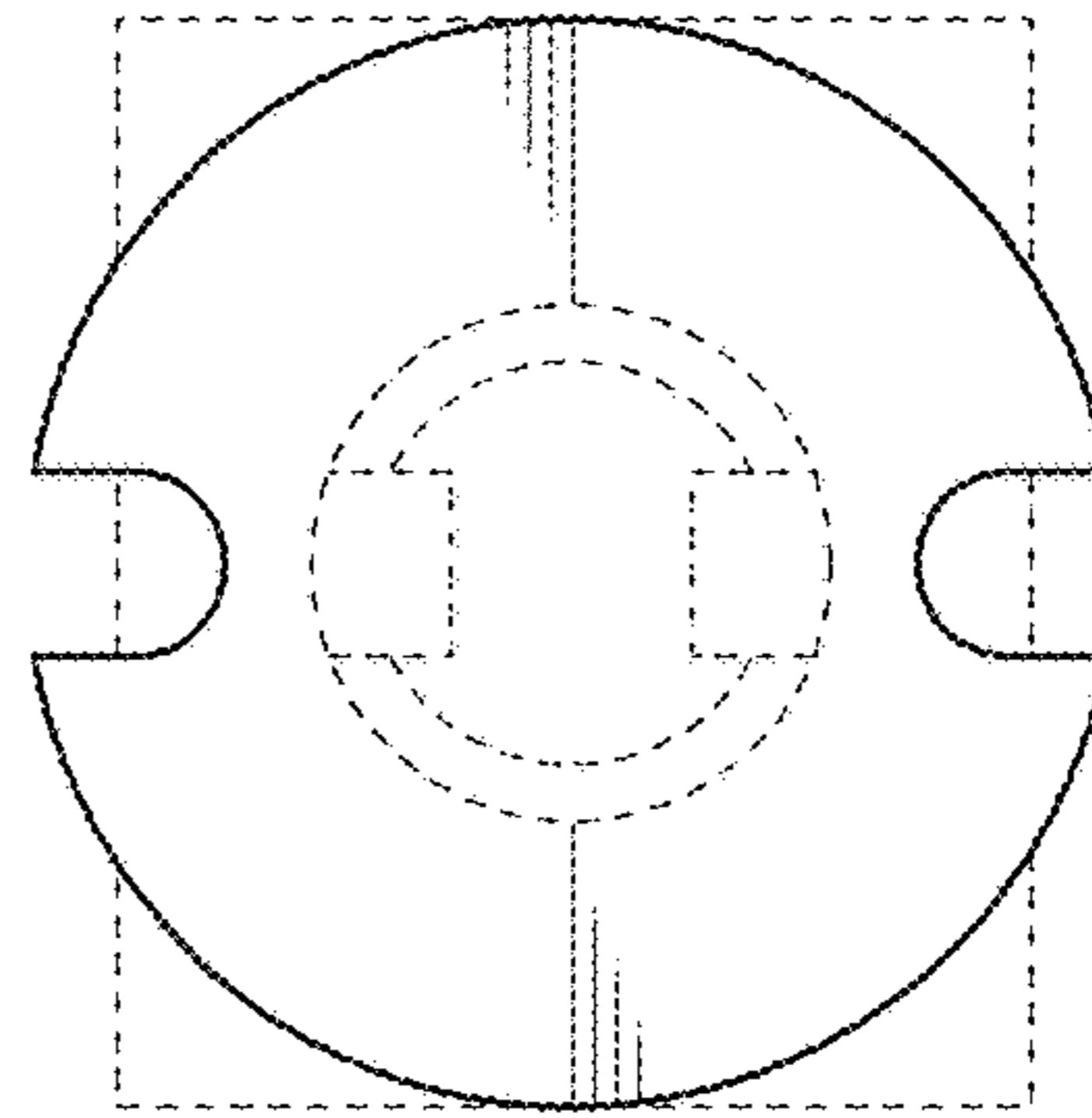


FIG. 14

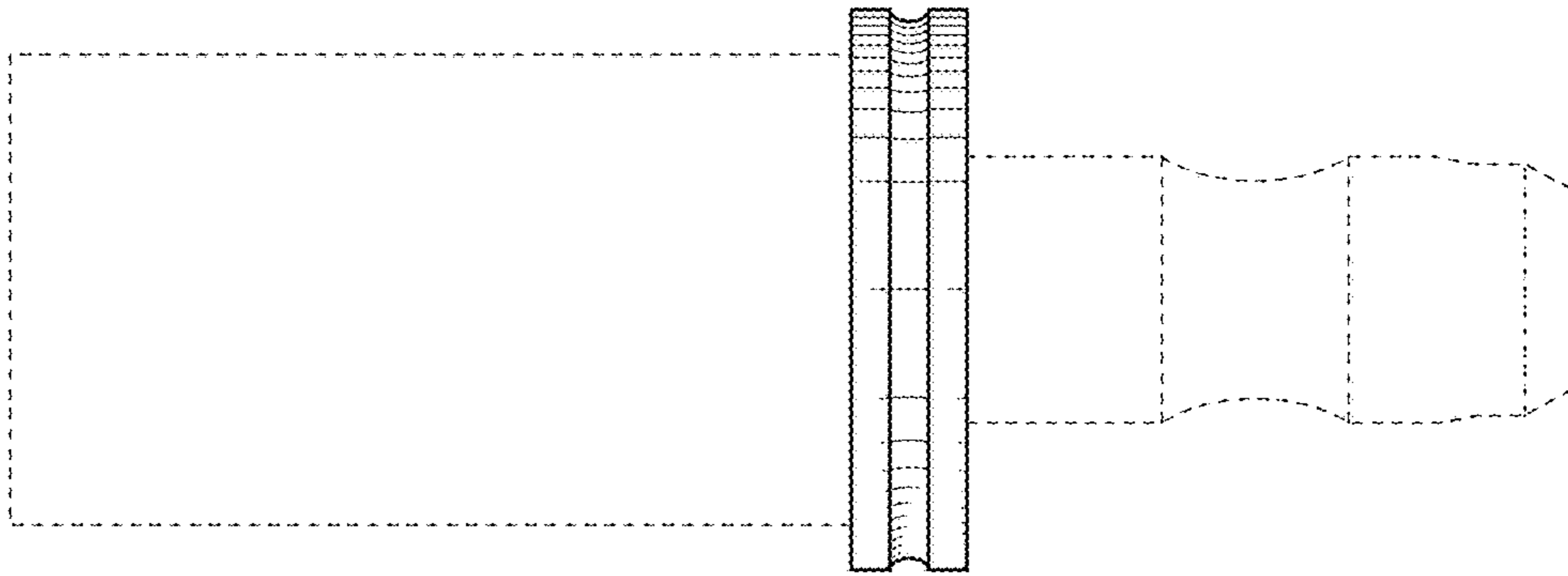


FIG. 12

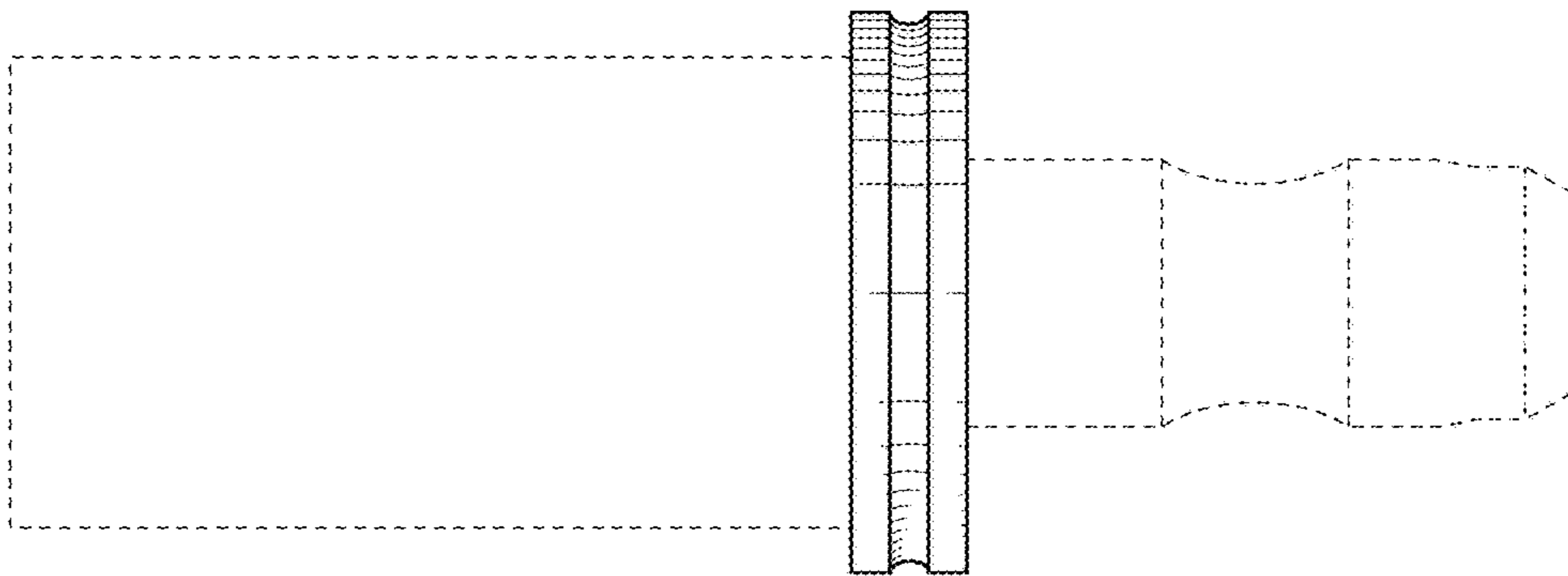


FIG. 11

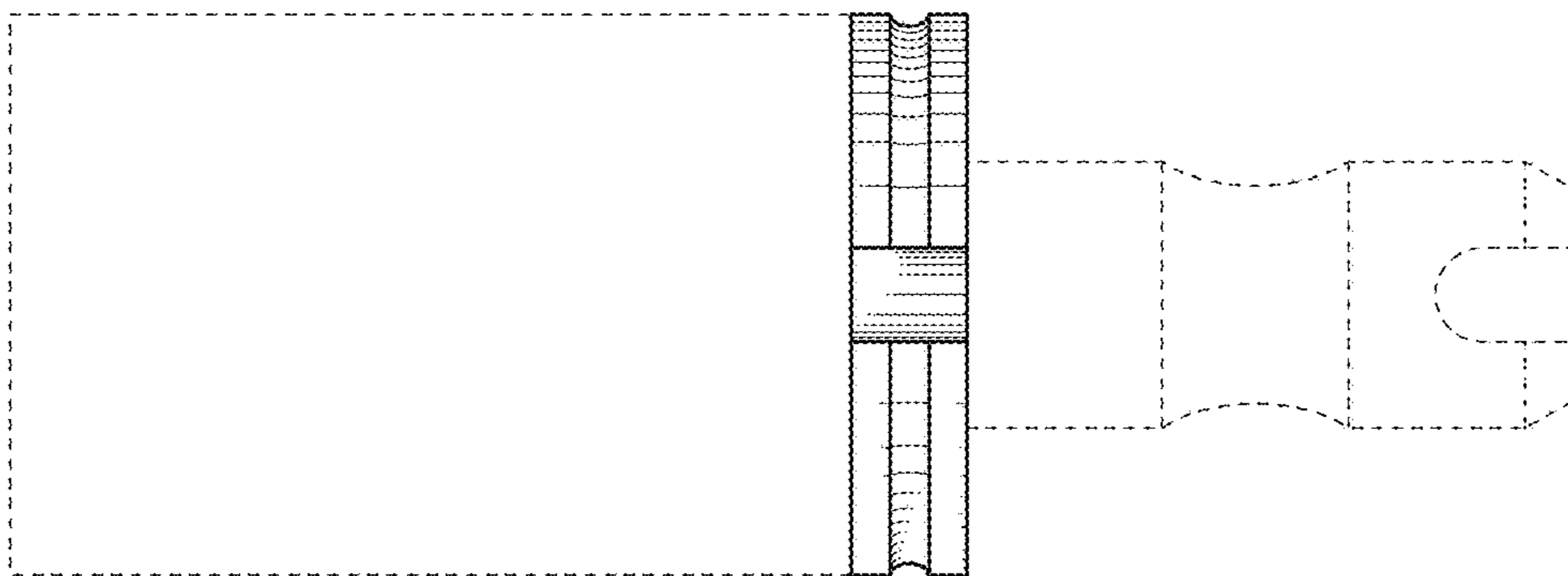


FIG. 10