



US00D798684S

(12) **United States Design Patent** (10) **Patent No.:** **US D798,684 S**
Lee (45) **Date of Patent:** **** Oct. 3, 2017**

(54) **SPLIT WOOD RETENTION DEVICE**
(71) Applicant: **Richard Lee**, Clearwater (CA)
(72) Inventor: **Richard Lee**, Clearwater (CA)
(**) Term: **15 Years**
(21) Appl. No.: **29/562,515**
(22) Filed: **Apr. 26, 2016**
(51) **LOC (10) Cl.** **08-05**
(52) **U.S. Cl.**
USPC **D8/70; D8/51**
(58) **Field of Classification Search**
USPC D8/14, 44, 51, 70, 88, 89
CPC ... B27L 7/00; B27L 7/08; B27L 7/005; B65D
81/36; B65D 85/70; B25D 3/00
See application file for complete search history.

4,505,465 A * 3/1985 McCrary B27L 7/00
144/366
D309,854 S * 8/1990 Smith D8/44
D315,092 S * 3/1991 Brown D8/349
5,289,765 A 3/1994 Gray
D354,664 S * 1/1995 Harrison D8/14
5,429,463 A * 7/1995 Howell B60P 7/0838
16/422
5,944,474 A 8/1999 Cummins et al.
D433,812 S * 11/2000 Newby D3/327
6,244,313 B1 * 6/2001 Sarvela B25D 3/00
144/193.1
D448,200 S * 9/2001 Sagol D15/127
7,065,840 B2 * 6/2006 Profit B25B 25/00
24/68 CD
7,913,363 B2 * 3/2011 Scott F16G 15/00
24/270
9,610,885 B2 * 4/2017 Williams B60P 7/0853
9,636,841 B2 * 5/2017 Fetter B27L 7/08
2014/0261892 A1 * 9/2014 Clarke B27L 7/005
144/366
2017/0151689 A1 * 6/2017 Seed B27L 7/08

* cited by examiner

(56) **References Cited**
U.S. PATENT DOCUMENTS

2,604,678 A * 7/1952 Mayes F16G 15/00
24/598.1
2,759,235 A 8/1956 Rea
2,821,003 A * 1/1958 Boyes F16G 11/10
24/582.13
2,824,717 A 2/1958 Yeager
2,947,514 A * 8/1960 Goss A01G 23/003
24/270
3,119,160 A 1/1964 Hoppeler
3,504,404 A 4/1970 Rehnstrom
3,669,439 A * 6/1972 Sanchez B25B 1/205
269/130
4,164,056 A * 8/1979 Hilgner A22B 5/161
452/128
4,211,389 A 7/1980 Frey et al.
4,460,028 A * 7/1984 Henry B27L 7/00
144/193.1
4,500,073 A * 2/1985 Smith F16G 15/00
24/68 CT

Primary Examiner — Darlington Ly
(74) *Attorney, Agent, or Firm* — Robert C. Montgomery;
Montgomery Patent and Design, L.P.

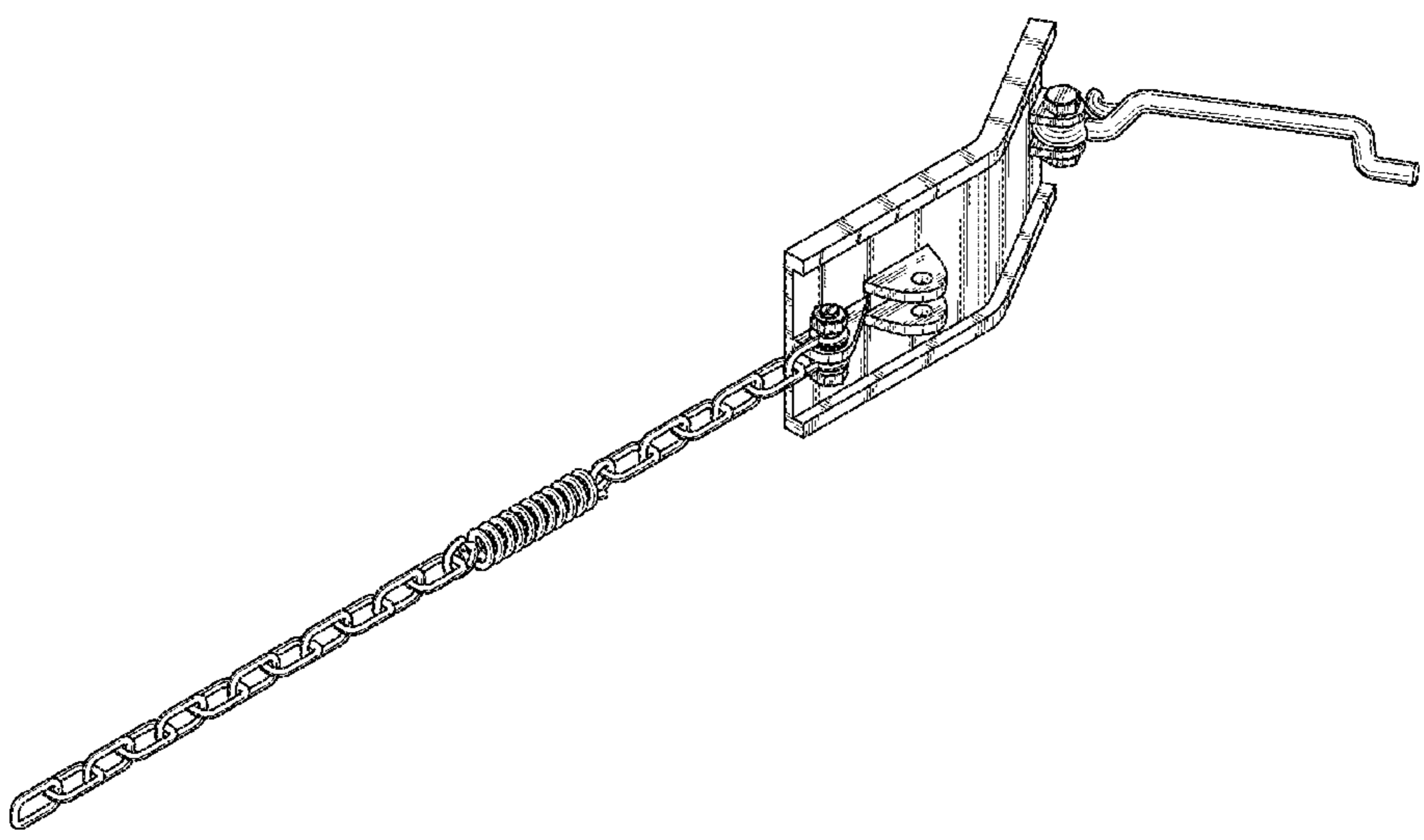
(57) **CLAIM**

The ornamental design for a split wood retention device, as shown and described.

DESCRIPTION

FIG. 1 is a front perspective view of a split wood retention device showing my new design;
FIG. 2 is a front elevation view thereof;
FIG. 3 is a rear elevation view thereof;
FIG. 4 is a left side elevation view thereof;
FIG. 5 is a right side elevation view thereof;
FIG. 6 is a top plan view thereof; and,
FIG. 7 is a bottom plan view thereof.

1 Claim, 3 Drawing Sheets



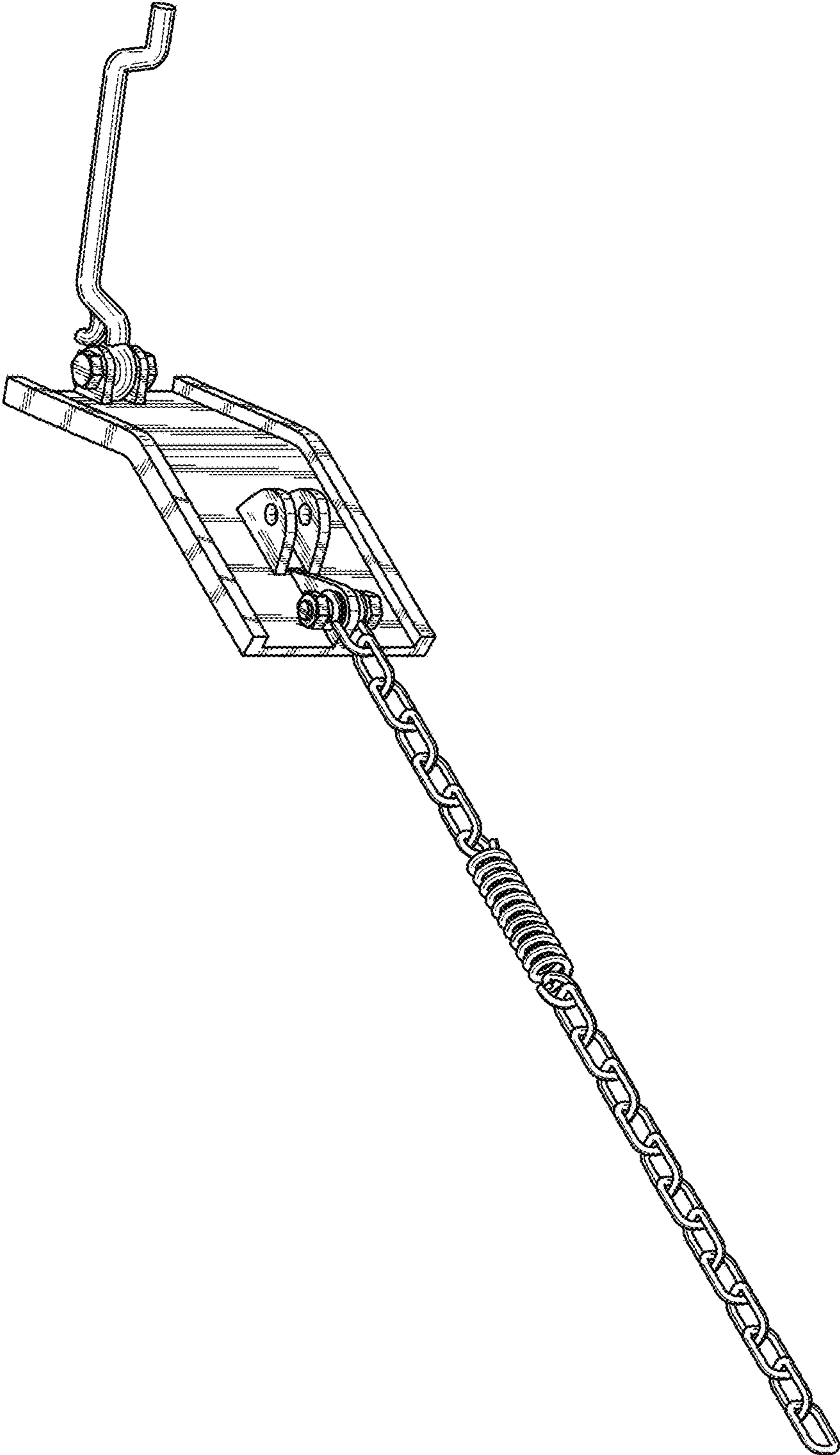


FIG. 1

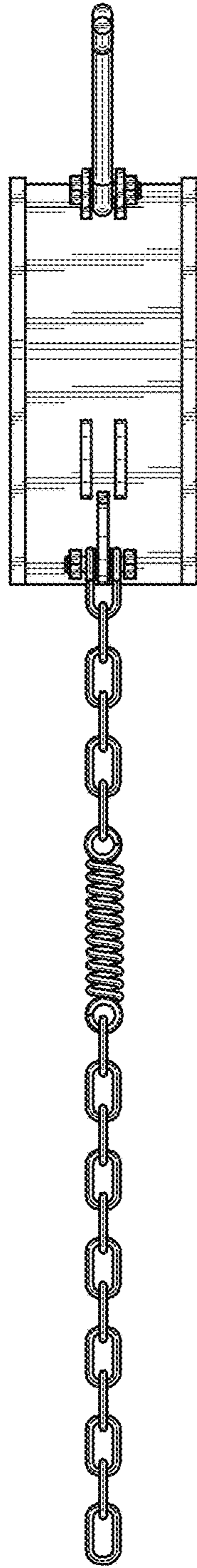


FIG. 2

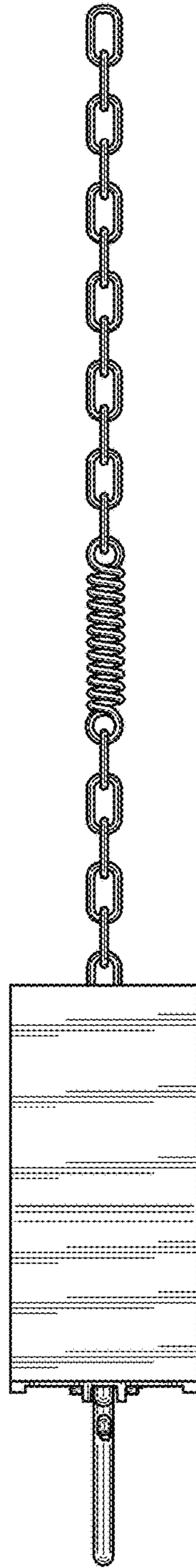


FIG. 3

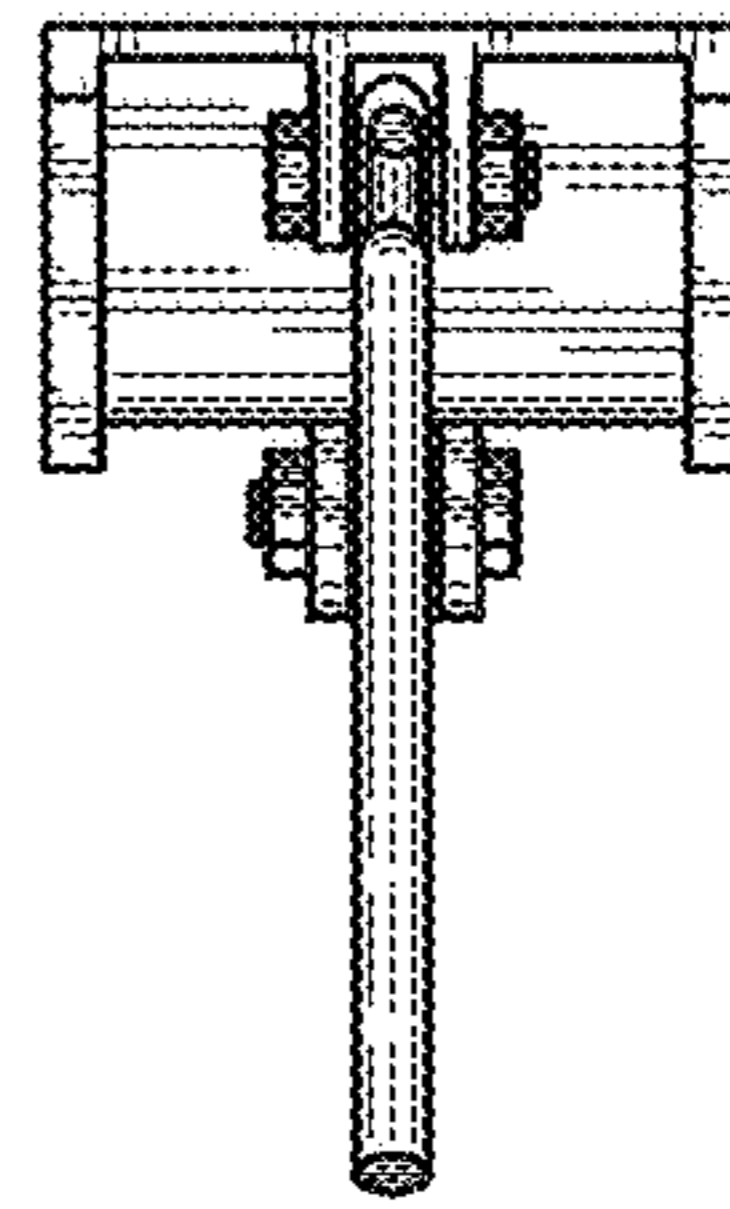


FIG. 4

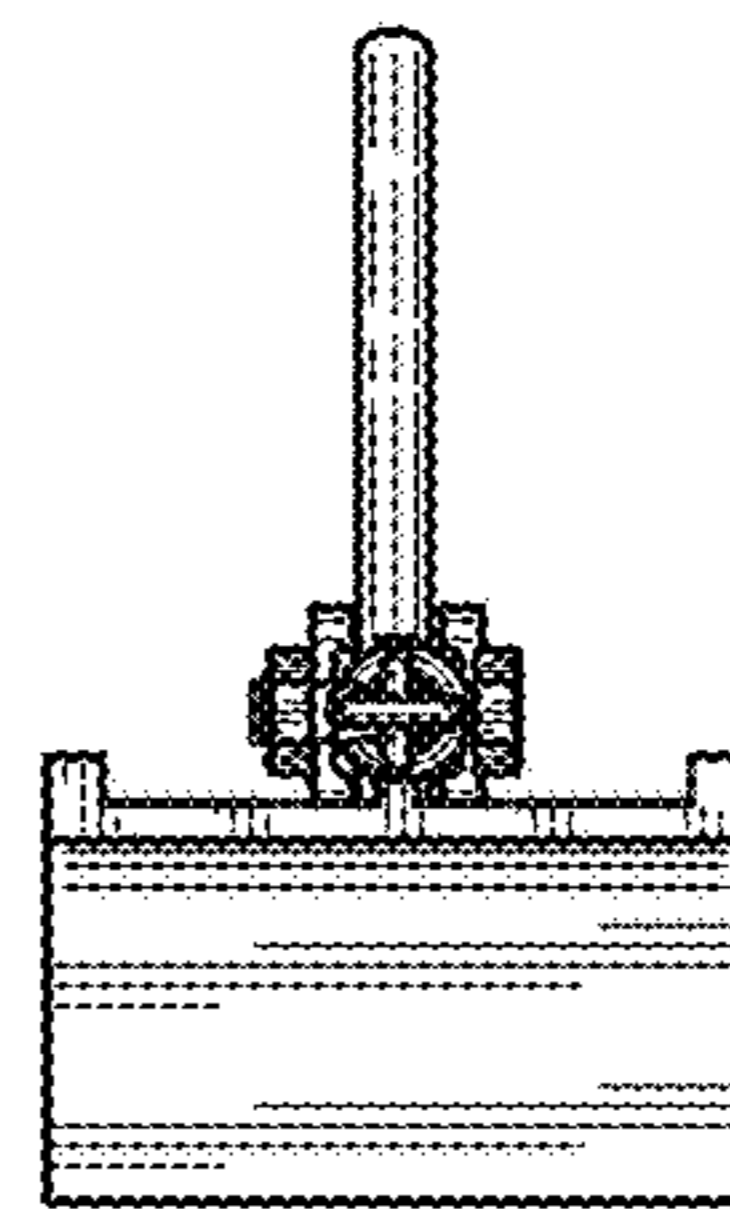


FIG. 5

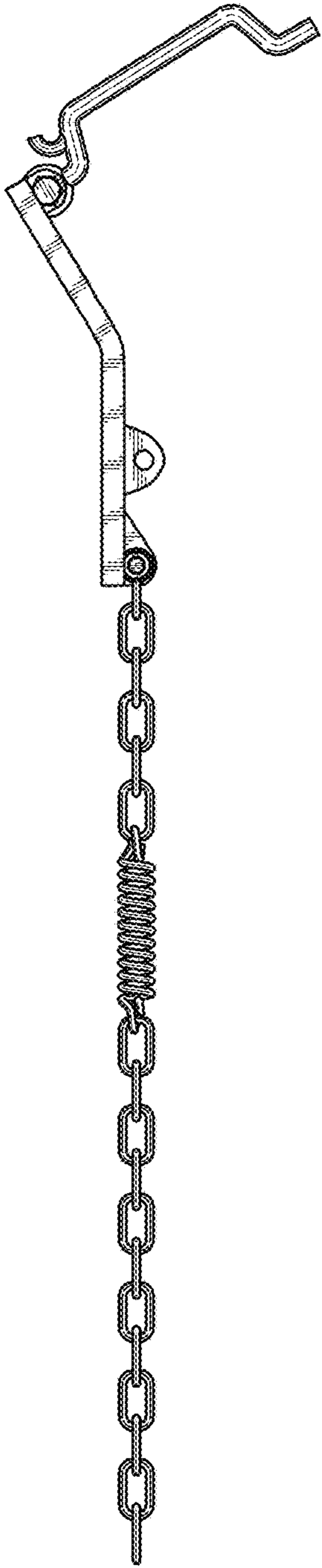


FIG. 6

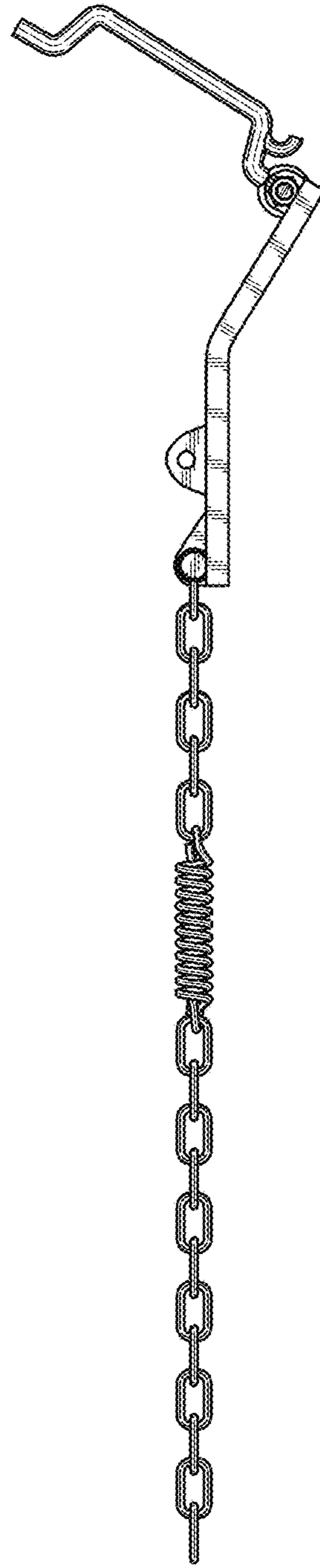


FIG. 7