



US00D798683S

(12) **United States Design Patent** (10) **Patent No.:** **US D798,683 S**  
**Price** (45) **Date of Patent:** **\*\* Oct. 3, 2017**

(54) **DRYWALL TOOL**

(71) Applicant: **David Kelly Price**, Winnabow, NC (US)

(72) Inventor: **David Kelly Price**, Winnabow, NC (US)

(\*\*) Term: **15 Years**

(21) Appl. No.: **29/561,269**

(22) Filed: **Apr. 14, 2016**

(51) **LOC (10) Cl.** ..... **08-05**

(52) **U.S. Cl.**  
USPC ..... **D8/45; D8/14**

(58) **Field of Classification Search**  
USPC ..... D8/14, 45, 83, 107; D19/171, 179, 163; D21/400, 679, 725; D24/133, 152, 211, D24/212, 215; D30/160; D28/4-8, 73, D28/76, 85; D27/101, 163; D1/127, D1/130; D7/697, 394, 401.2  
CPC ..... A21C 3/02; A63B 15/00; A63B 59/51  
See application file for complete search history.

(56) **References Cited**

U.S. PATENT DOCUMENTS

D26,418 S *	12/1896	Heydrick	482/108
D35,310 S *	11/1901	Levin	D27/101
4,107,830 A *	8/1978	Thomson	A21C 3/021 492/14
D313,827 S *	1/1991	Smith	D21/684
D341,200 S *	11/1993	Yoshimoto	D24/133
D439,705 S *	3/2001	Lerolle	D28/76
6,210,302 B1 *	4/2001	Globus	A63B 15/00 482/106
D451,549 S *	12/2001	Willat	D19/179

D495,844 S *	9/2004	Berti	D32/51
D503,244 S *	3/2005	Campbell	D28/76
D504,911 S *	5/2005	Ng	D19/135
D535,441 S *	1/2007	Maddy	D28/76
D556,009 S *	11/2007	Settles	D8/107
D572,779 S *	7/2008	Penfold	D21/725
D661,019 S *	5/2012	Harris	D19/179
D754,395 S *	4/2016	Yeo	D28/7
D764,701 S *	8/2016	Malhi	D27/101

\* cited by examiner

*Primary Examiner* — Phillip S Hyder

(74) *Attorney, Agent, or Firm* — Coats & Bennett, PLLC

(57) **CLAIM**

The ornamental design for a drywall tool, as shown and described.

**DESCRIPTION**

FIG. 1 is a perspective view of a drywall tool showing the new design.

FIG. 2 is a front elevational view of the drywall tool. The drywall tool is rotationally symmetric and each of the elevational views is the same.

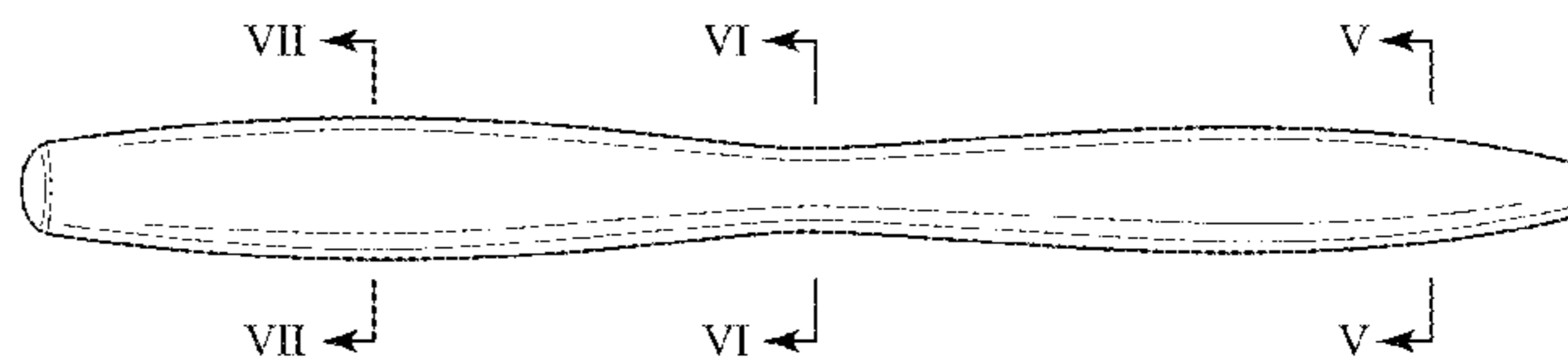
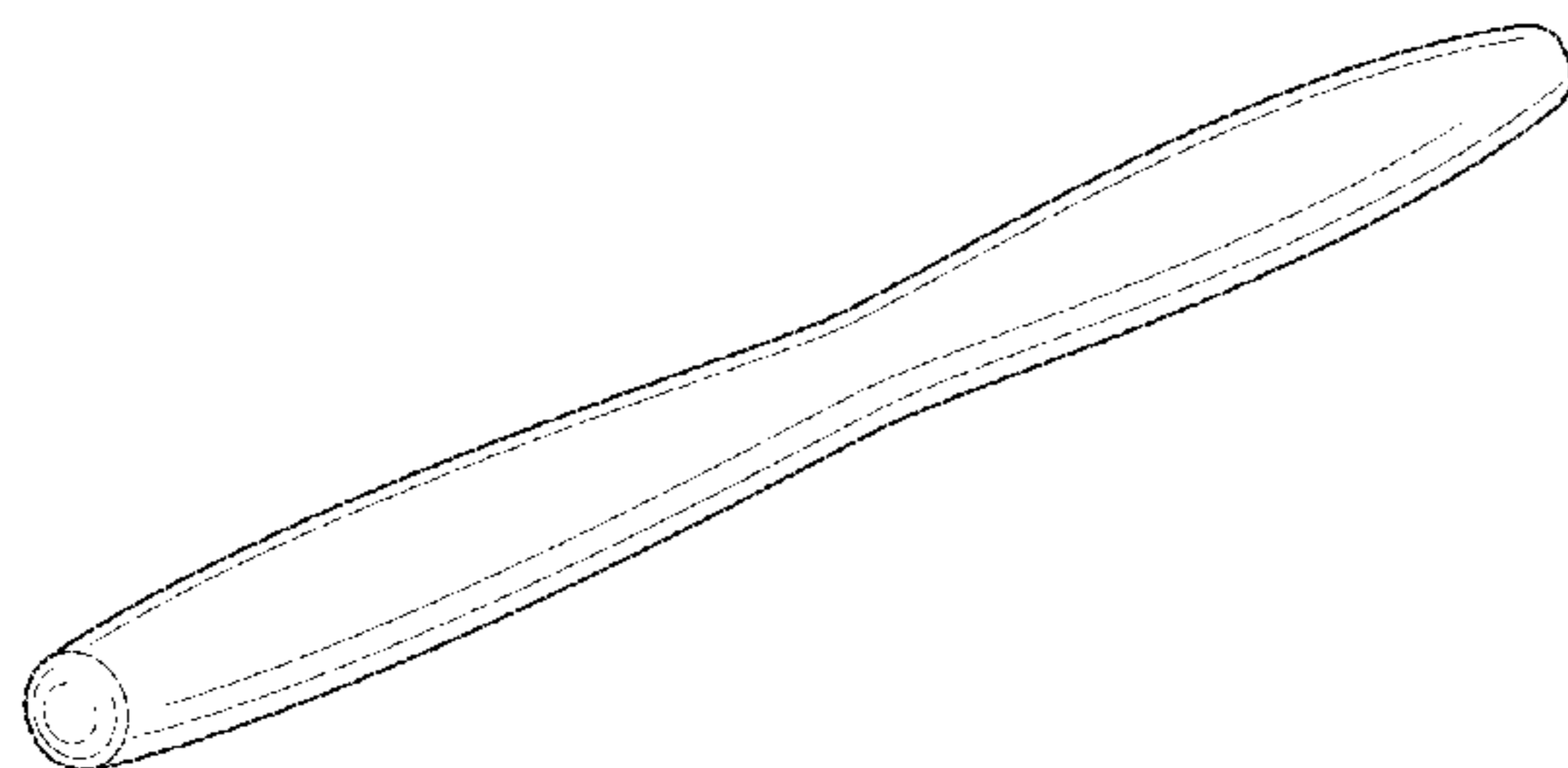
FIG. 3 is a first end view of the rounded larger end of the drywall tool.

FIG. 4 is a second end view of the flat smaller end of the drywall tool.

FIG. 5 is a sectional view taken along line V-V in FIG. 2. FIG. 6 is a sectional view taken along line VI-VI in FIG. 2; and,

FIG. 7 is a sectional view taken along line VII-VII in FIG. 2.

**1 Claim, 2 Drawing Sheets**



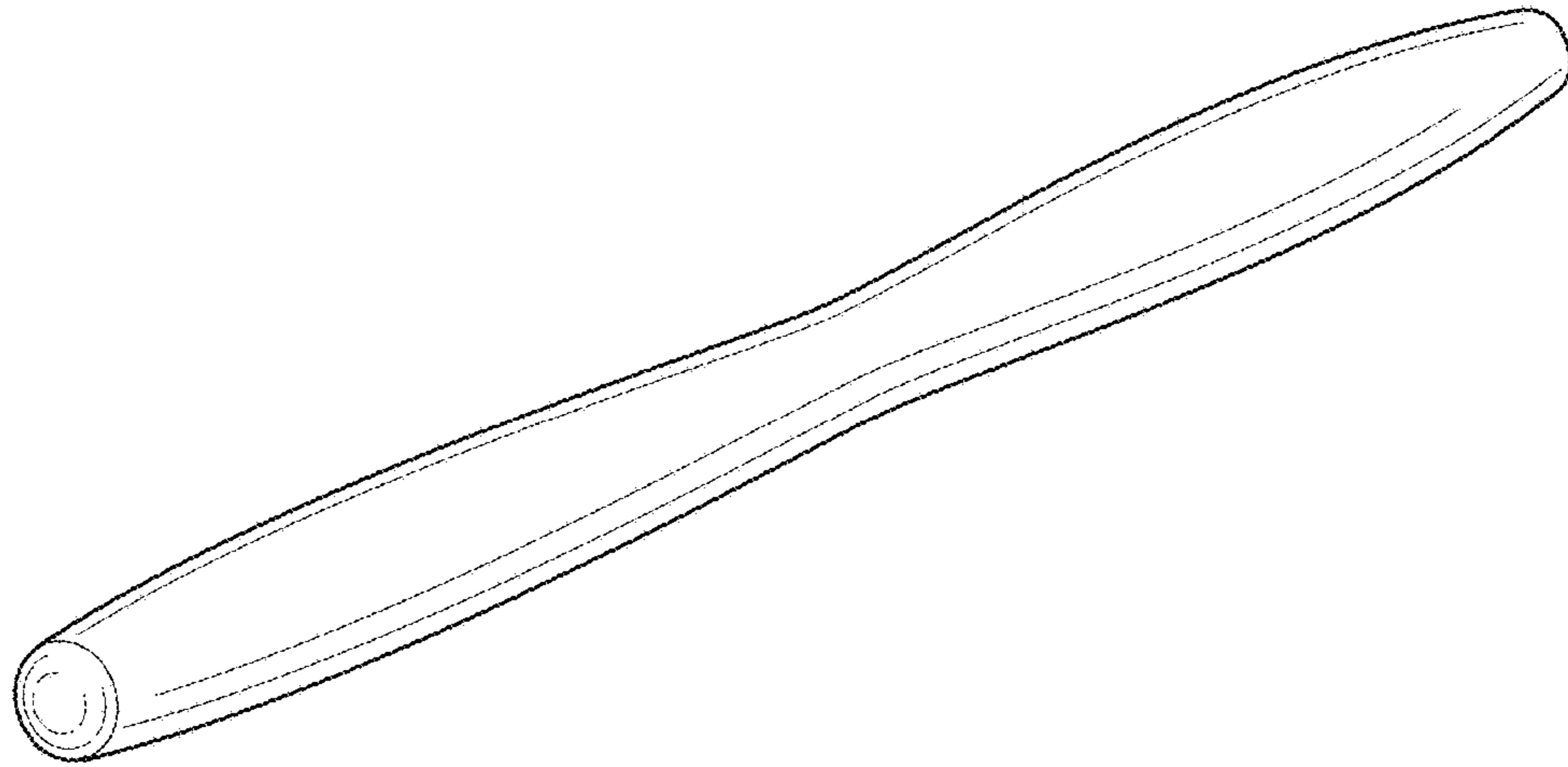


FIG. 1

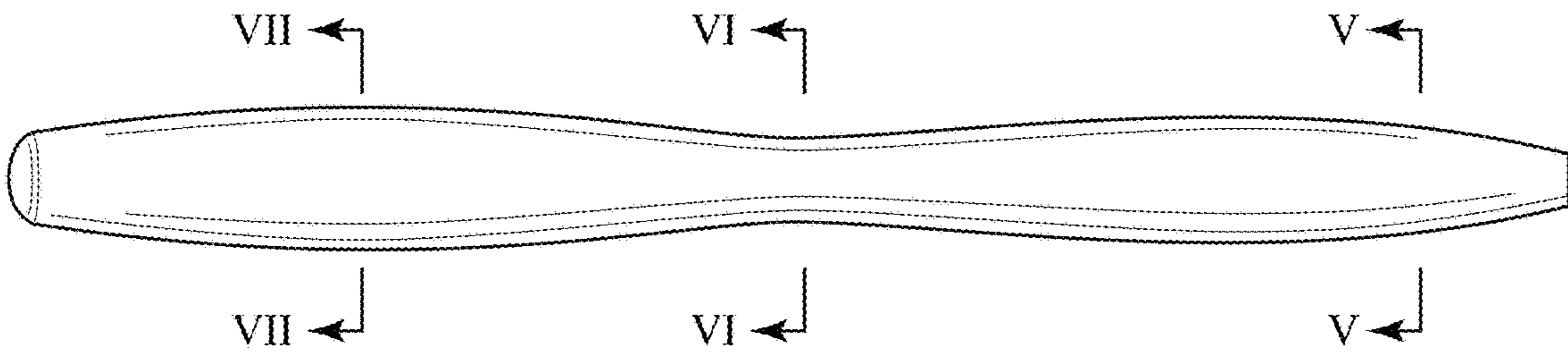


FIG. 2

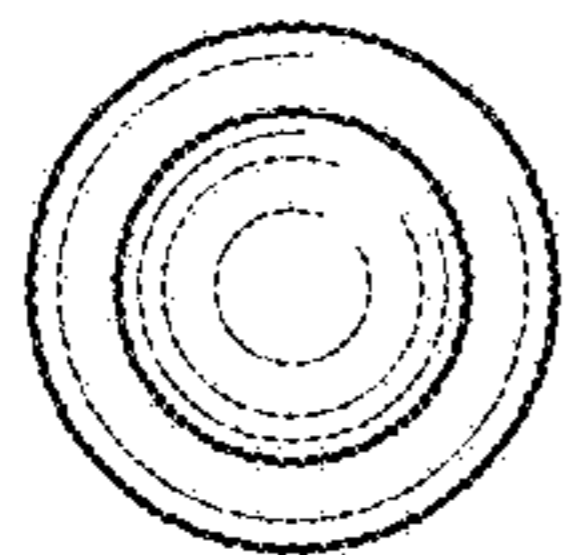


FIG. 3

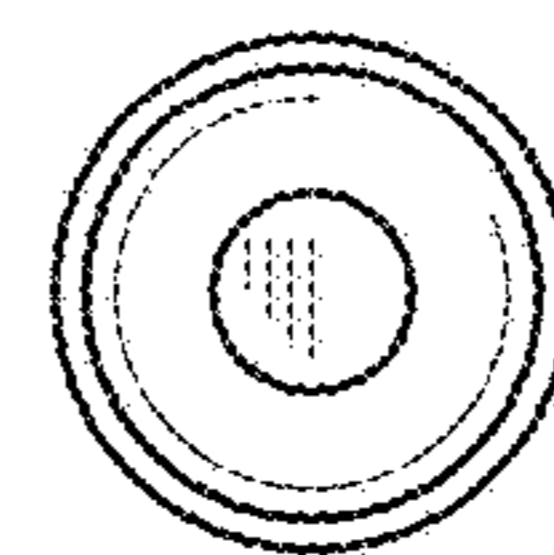
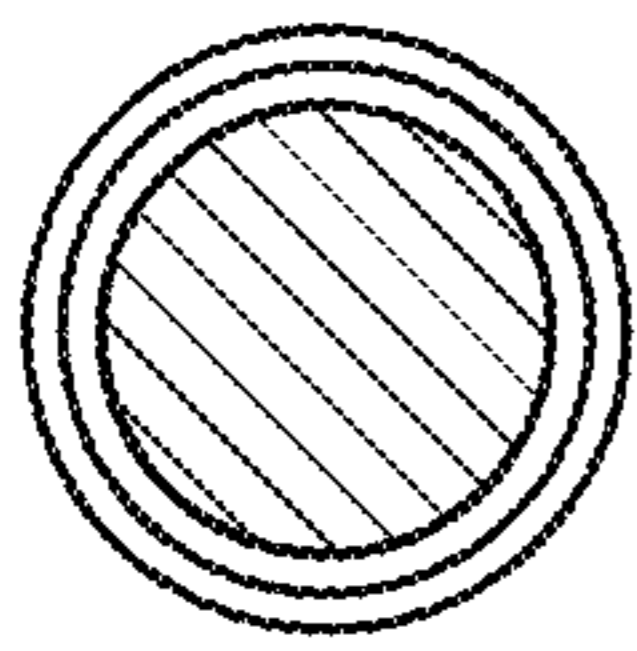
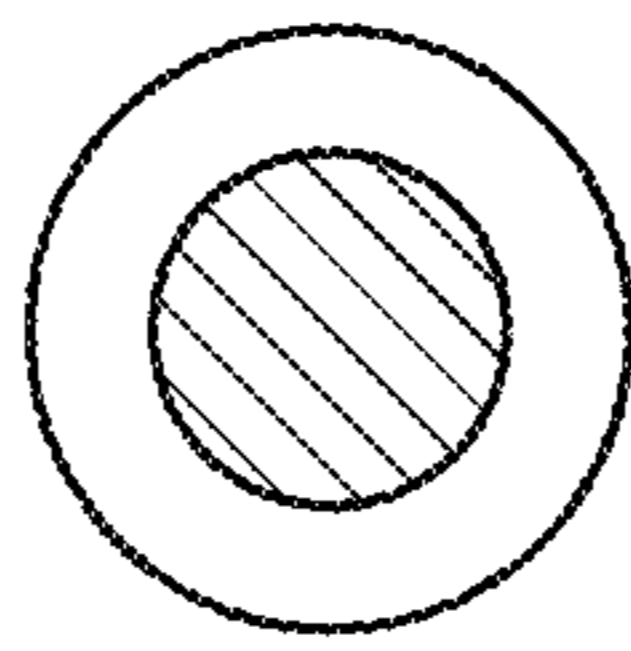


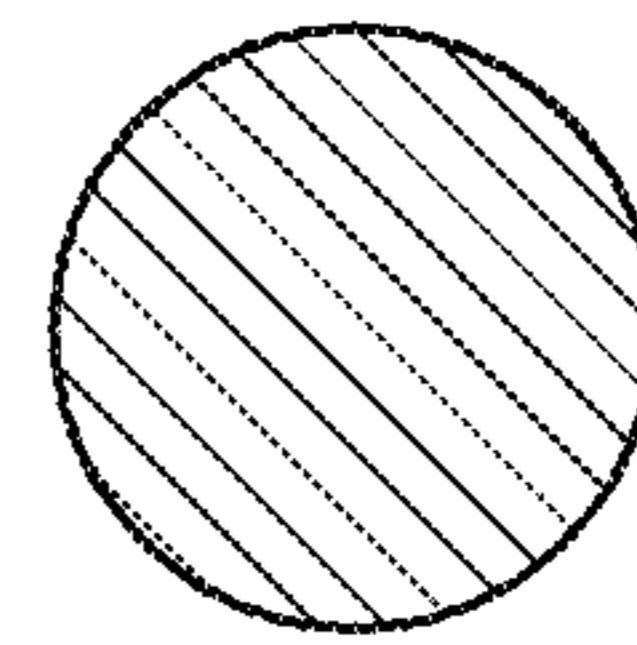
FIG. 4



**FIG. 5**



**FIG. 6**



**FIG. 7**