



US00D798680S

(12) **United States Design Patent** (10) **Patent No.:** **US D798,680 S**  
**Blouin et al.** (45) **Date of Patent:** **\*\* Oct. 3, 2017**

(54) **SCRAPER BRACKET**  
(71) Applicant: **GARANT GP**, Saint-François (CA)  
(72) Inventors: **Carl Blouin**, Lévis (CA); **François Parenteau**, Québec (CA)  
(73) Assignee: **GARANT GP**, Saint-François (CA)  
(\*\*) Term: **15 Years**  
(21) Appl. No.: **29/558,839**  
(22) Filed: **Mar. 22, 2016**  
(51) **LOC (10) Cl.** ..... **08-01**  
(52) **U.S. Cl.**  
USPC ..... **D8/10**  
(58) **Field of Classification Search**  
USPC ..... D8/1, 7, 9, 10, 11, 13; D21/532  
CPC .... A01B 1/00; A01B 1/20; A01B 1/16; A01B 1/22; A01B 1/227; A01B 1/222; A01B 1/225; A01B 1/026; A01B 1/02; B25G 1/102; E01H 5/00; E01H 5/02; E01H 5/061; Y10T 16/476; Y10T 16/4713; Y10S 16/19; A46B 5/00; A46B 5/0095; A46B 2200/302  
See application file for complete search history.

(56) **References Cited**  
U.S. PATENT DOCUMENTS  
1,042,352 A \* 10/1912 Kohler ..... E01H 5/02  
294/54.5  
2,463,150 A \* 3/1949 Camp ..... E01H 5/02  
294/51  
3,474,535 A \* 10/1969 Kramer ..... A01B 1/02  
15/143.1  
D294,233 S 2/1988 Myers  
RE32,948 E \* 6/1989 Lapshansky ..... A01B 1/222  
294/51

D417,826 S \* 12/1999 Yacobi ..... D8/10  
D434,287 S \* 11/2000 Spear ..... D8/10  
6,497,439 B1 12/2002 Guo  
7,216,907 B1 5/2007 Mussman et al.  
D553,921 S \* 10/2007 Melady ..... D8/10  
D769,681 S \* 10/2016 Stein ..... D8/13  
D775,908 S \* 1/2017 Boies ..... D8/13  
2016/0222613 A1\* 8/2016 Stoddart ..... E01H 5/02

**OTHER PUBLICATIONS**

<https://thesnowcaster.com/wp-content/uploads/2015/03/SnowCaster-15UBR.png>, Apr. 3, 2016.  
YO-HO Quality Tools, 1 Page <http://shop.yo-hoqualitytools.com/product.sc?productId=559> Jun. 19, 207.

\* cited by examiner

*Primary Examiner* — Sandra Snapp  
*Assistant Examiner* — Ieisha Price  
(74) *Attorney, Agent, or Firm* — Gwendoline Bruneau

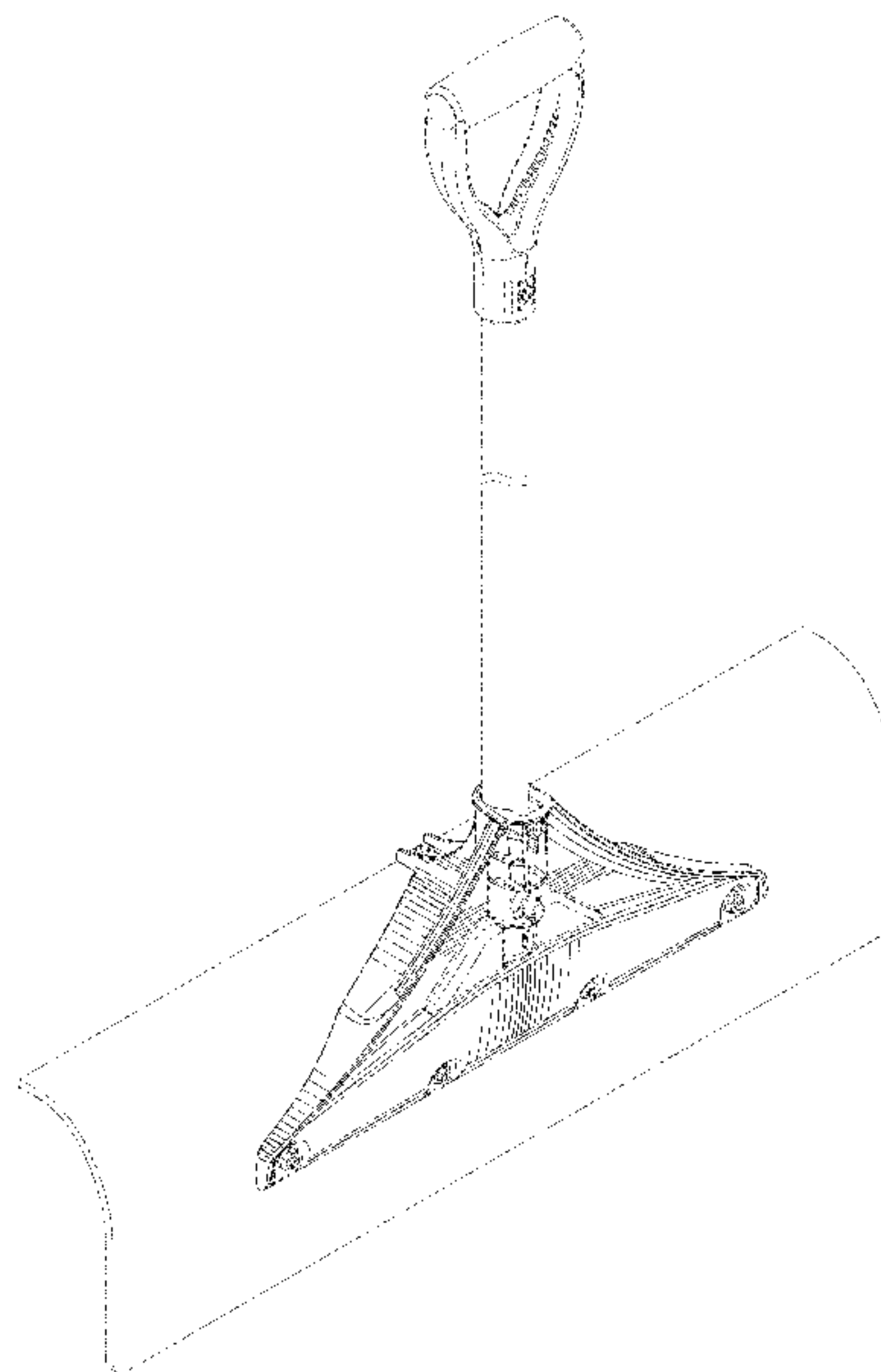
(57) **CLAIM**

The ornamental design for a scraper bracket, as shown and described.

**DESCRIPTION**

FIG. 1 is a perspective front view of the scraper bracket; FIG. 2 is a front view of the scraper bracket of FIG. 1; FIG. 3 is top view of the scraper bracket of FIG. 1; FIG. 4 is bottom view of the scraper bracket of FIG. 1; FIG. 5 is a first side view of the scraper bracket of FIG. 1; FIG. 6 is a second side view of the scraper bracket of FIG. 1; and, FIG. 7 is a rear view of the scraper bracket of FIG. 1. The broken lines shown in the figures are includes for the purpose of illustrating environment and form no part of the claimed design.

**1 Claim, 3 Drawing Sheets**



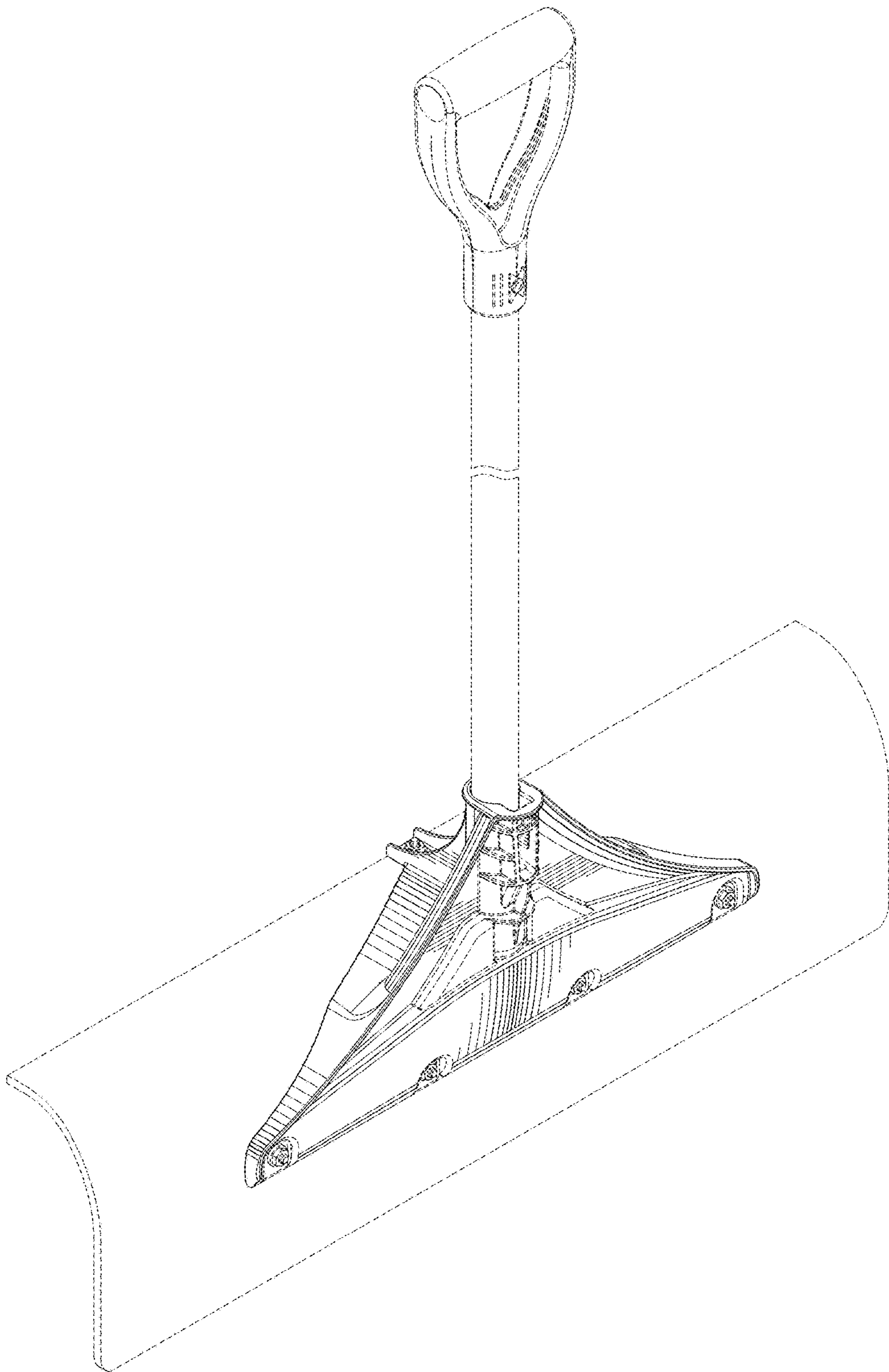


FIG. 1

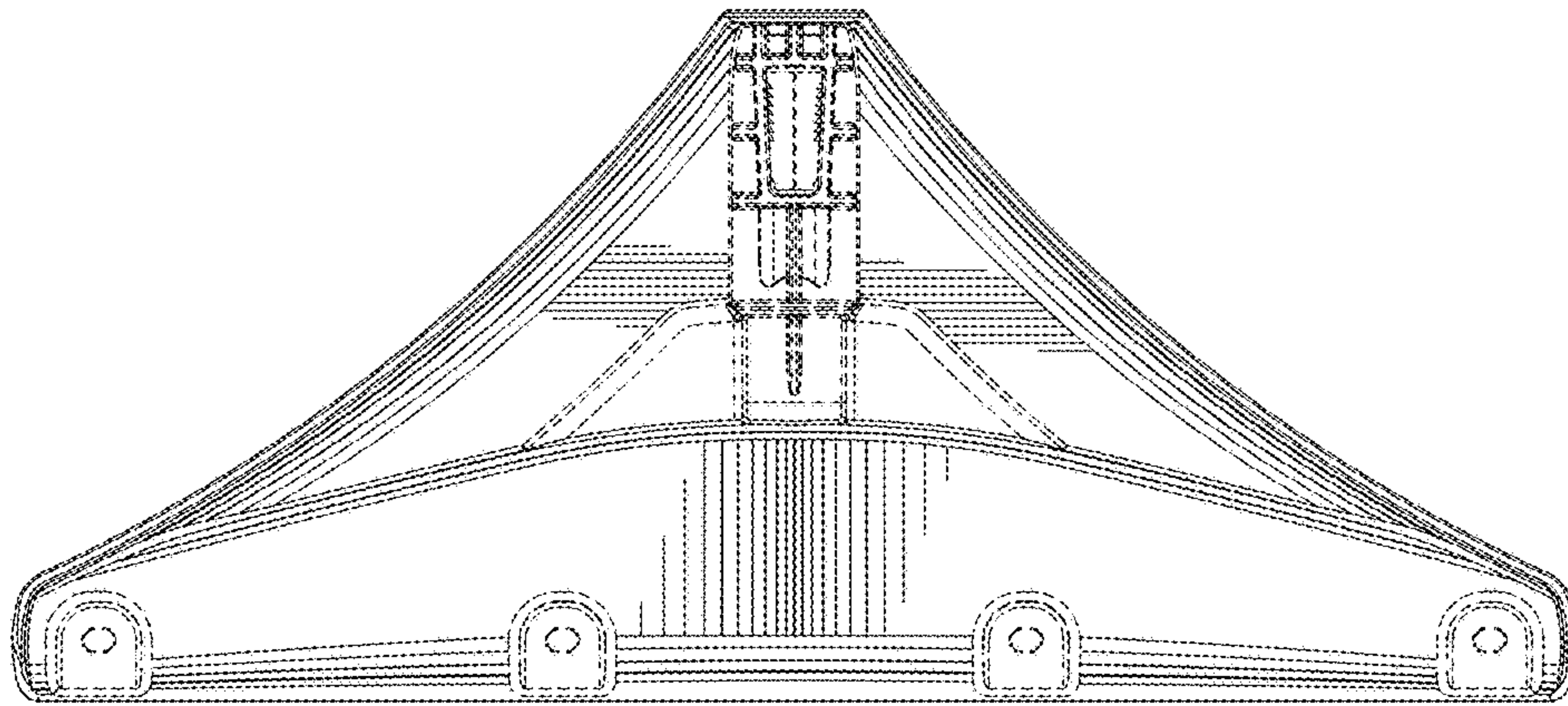


FIG. 2

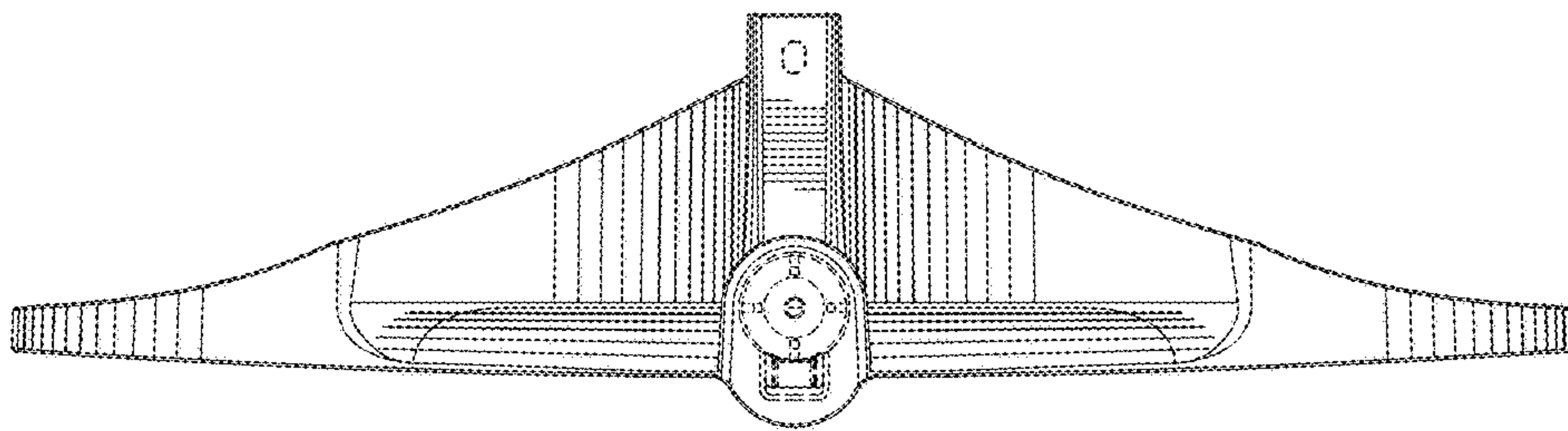


FIG. 3

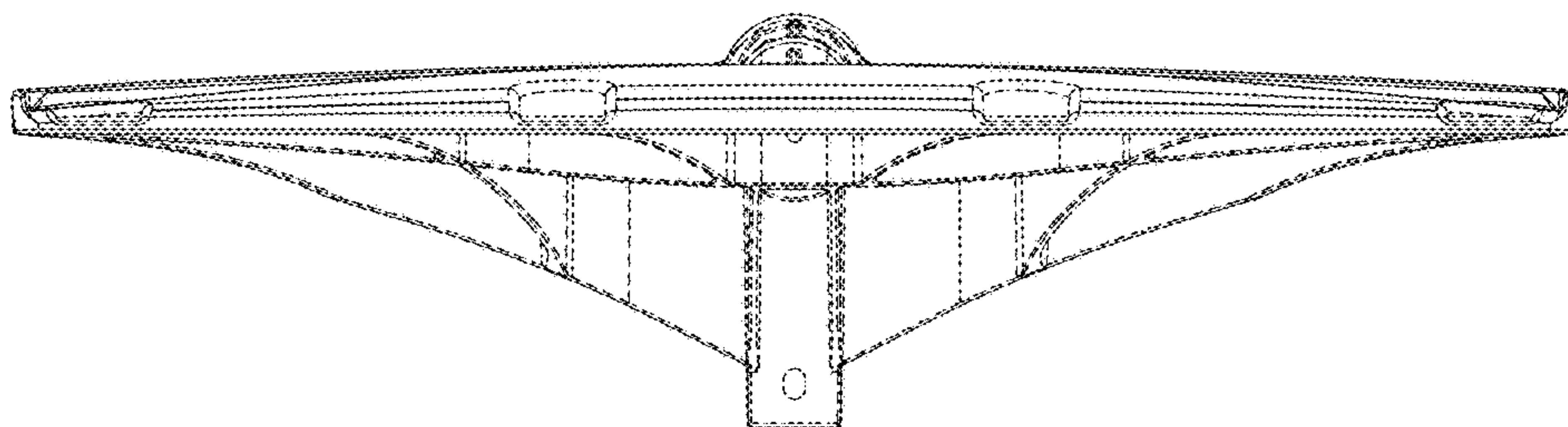


FIG. 4



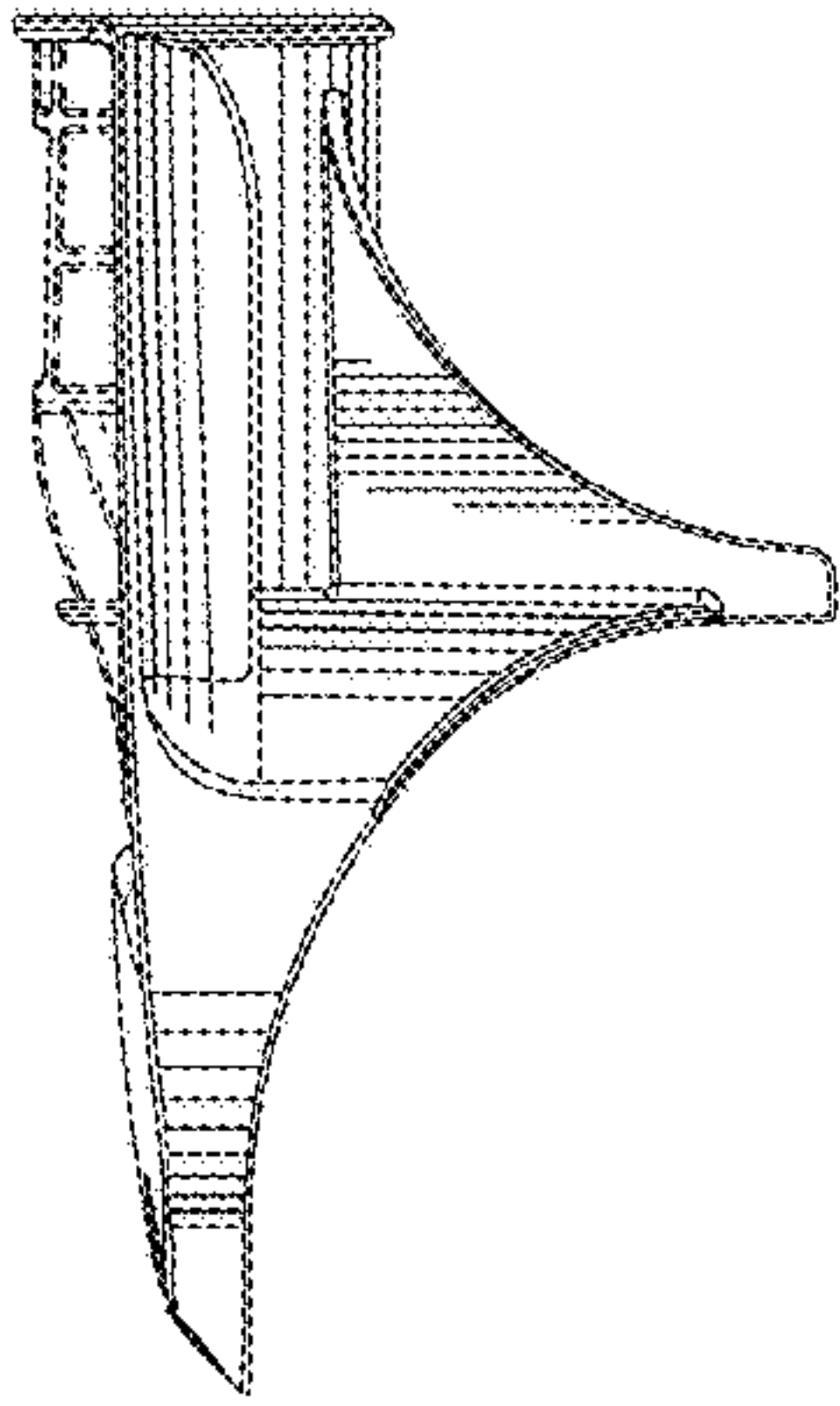


FIG. 5

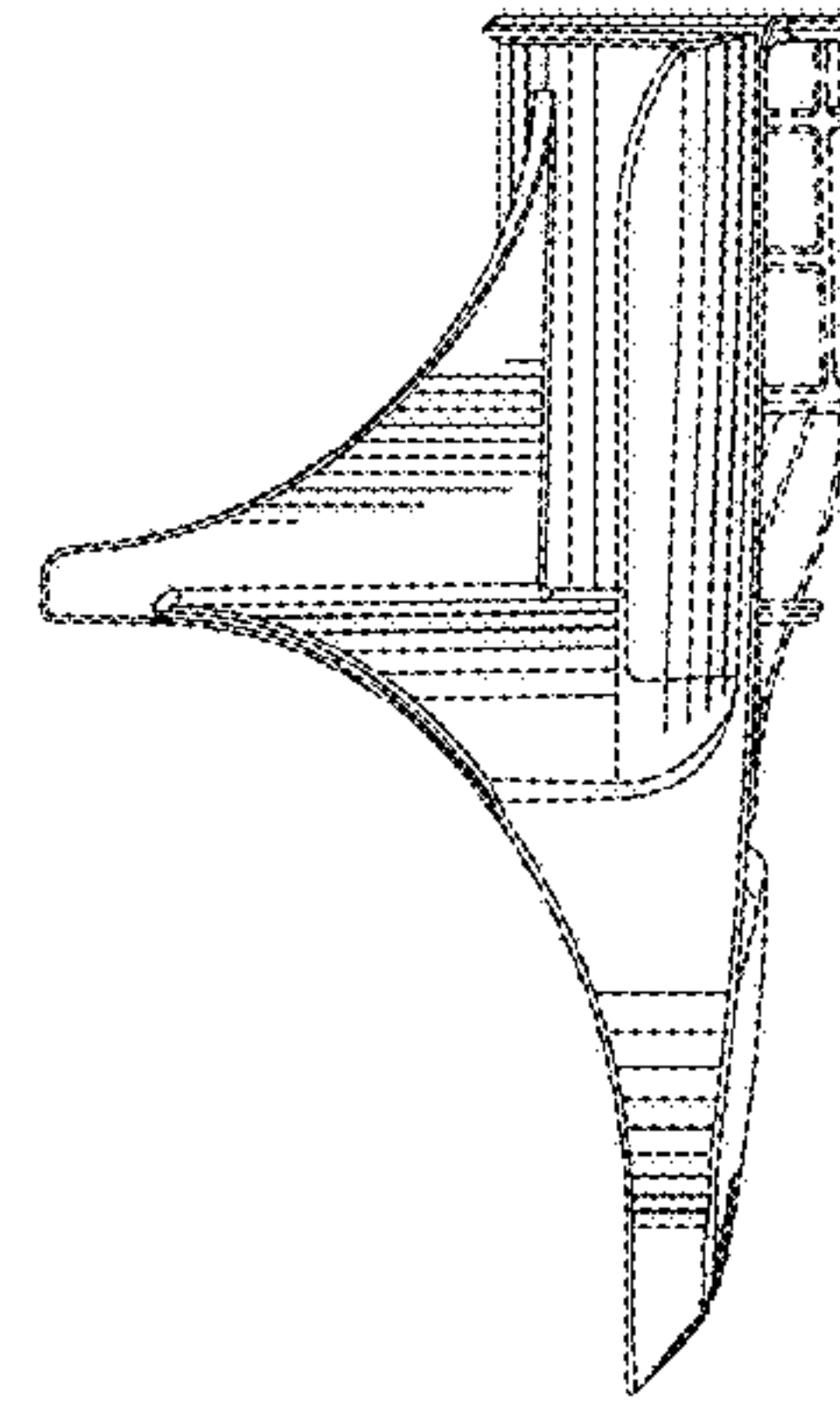


FIG. 6

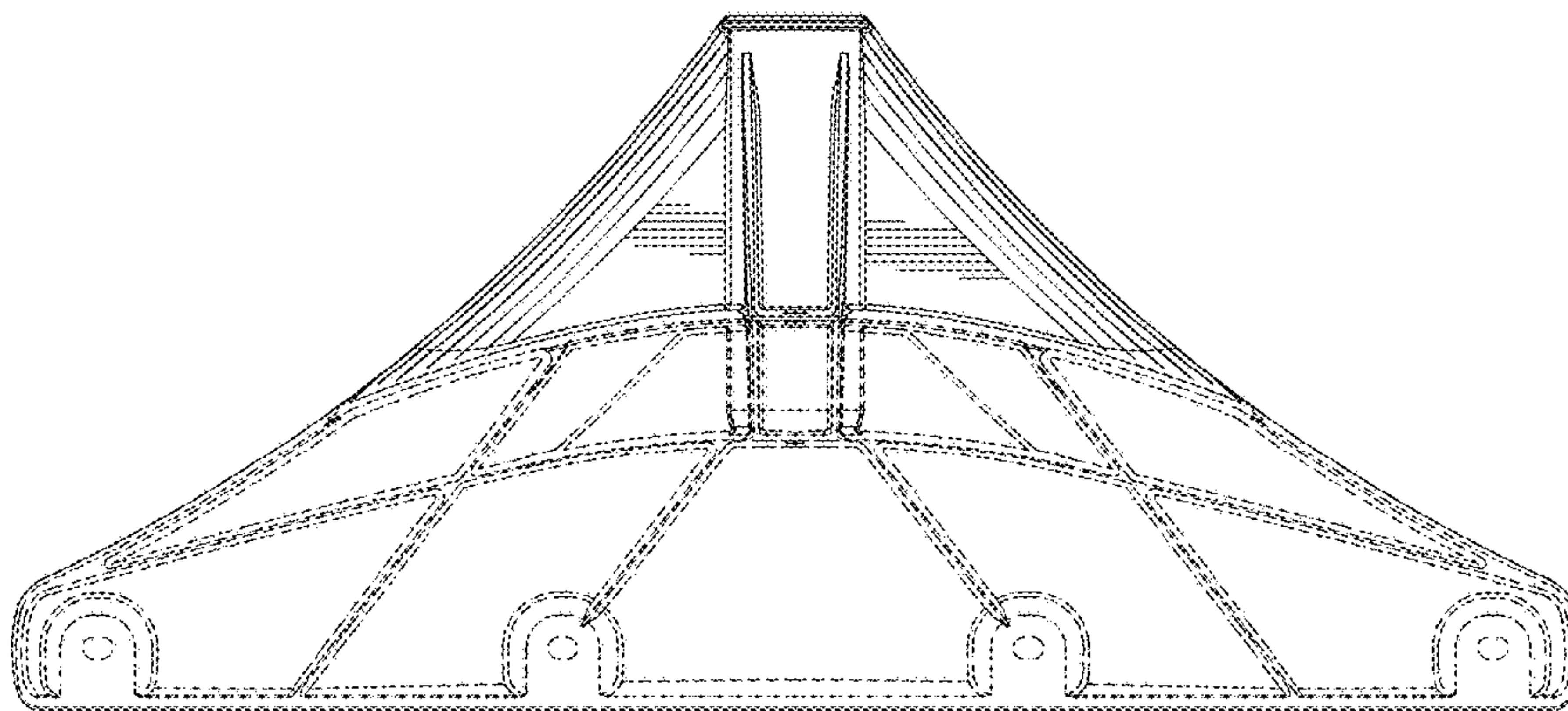


FIG. 7