



US00D798679S

(12) **United States Design Patent**
Tinius

(10) **Patent No.:** **US D798,679 S**

(45) **Date of Patent:** **** Oct. 3, 2017**

- (54) **CORDLESS TRIMMER**
- (71) Applicant: **Andreas Stihl AG & Co. KG**,
Waiblingen (DE)
- (72) Inventor: **Michael Tinius**, Ulm (DE)
- (73) Assignee: **Andreas Stihl AG & Co., KG**,
Waiblingen (DE)

- 4,662,071 A 5/1987 Hoppner et al.
- H378 H 12/1987 Matsumoto
- 4,819,332 A 4/1989 Sugihara et al.
- 4,916,886 A 4/1990 Nakamura et al.
- 4,932,126 A 6/1990 Pilatowicz et al.
- 5,027,591 A 7/1991 Nakamura et al.
- D321,816 S 11/1991 Fushiya et al.
- 5,070,618 A 12/1991 Edlund
- D324,051 S 2/1992 Tuggle et al.
- D335,674 S 5/1993 Hoshino

(Continued)

(**) Term: **15 Years**

(21) Appl. No.: **29/548,415**

(22) Filed: **Dec. 14, 2015**

(30) **Foreign Application Priority Data**

Aug. 6, 2015 (EM) 002750455-0004

(51) **LOC (10) Cl.** **08-01**

(52) **U.S. Cl.**
USPC **D8/8**

(58) **Field of Classification Search**

USPC D8/1, 7, 8, 9, 499; D15/1, 14, 17
CPC .. A01D 34/01; A01D 34/416; A01D 34/4161;
A01D 34/84; A01D 34/90; A01G 3/067;
A01G 3/06; A01G 3/062

See application file for complete search history.

(56) **References Cited**

U.S. PATENT DOCUMENTS

- 774,142 A 11/1904 Brick
- 2,542,665 A 2/1951 Gustafson
- 3,137,116 A 6/1964 Besser et al.
- 3,174,269 A 3/1965 Londo
- 3,650,099 A 3/1972 Sitter
- 3,696,597 A 10/1972 Sitter
- D252,130 S 6/1979 Hoff
- 4,197,640 A 4/1980 Murray
- 4,534,005 A 8/1985 Nagashima et al.
- 4,630,372 A 12/1986 Nagashima
- 4,654,970 A 4/1987 Nagashima

FOREIGN PATENT DOCUMENTS

DE D 102010013756 10/2011

Primary Examiner — Sandra Snapp

Assistant Examiner — Ieisha Price

(74) *Attorney, Agent, or Firm* — McGuireWoods LLP

(57) **CLAIM**

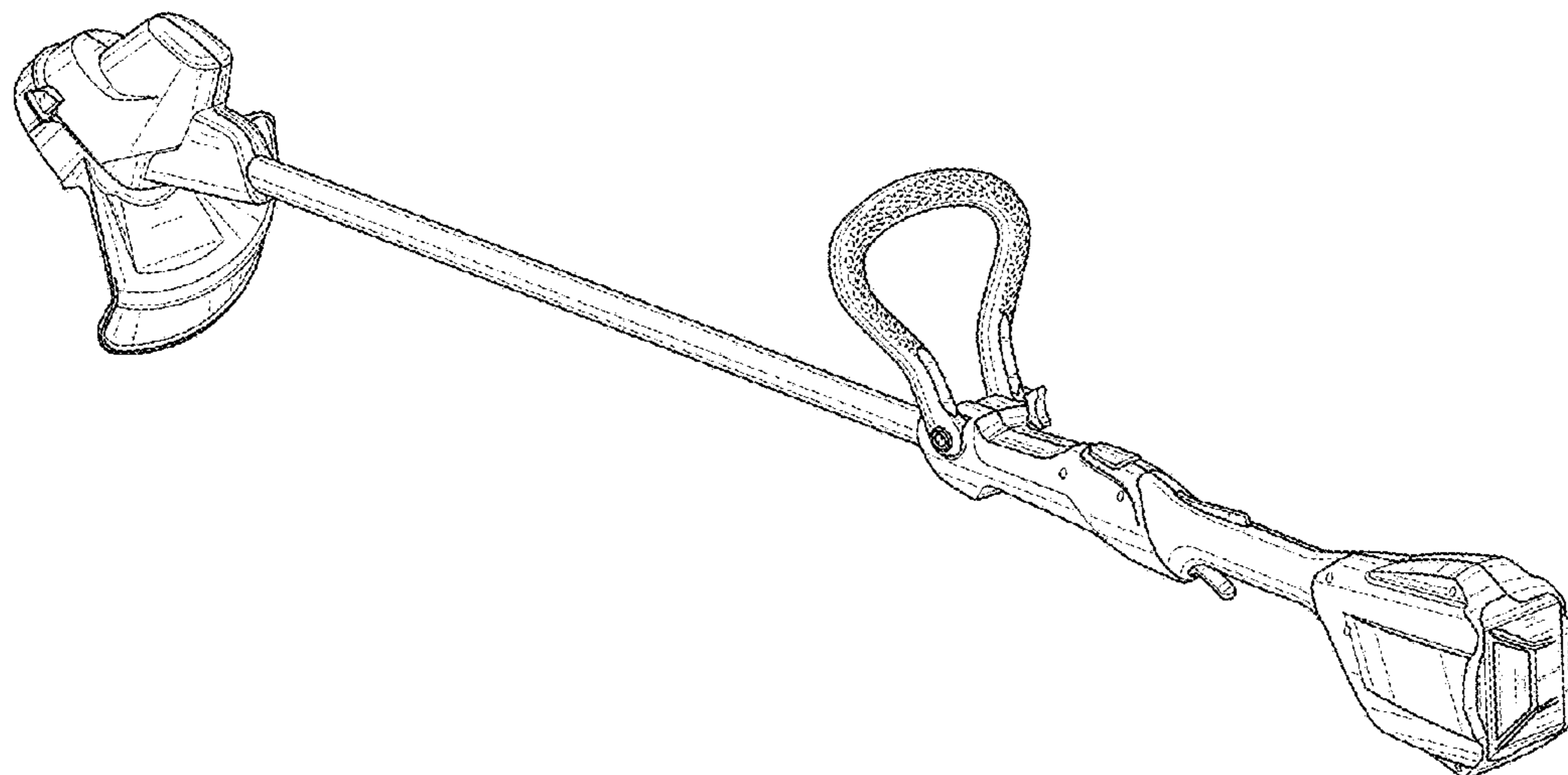
I claim the ornamental design for a cordless trimmer, as shown and described.

DESCRIPTION

FIG. 1 is a right perspective view of the cordless trimmer; FIG. 2 is a front view of the cordless trimmer shown in FIG. 1; FIG. 3 is a rear view of the cordless trimmer shown in FIG. 1; FIG. 4 is a left side view of the cordless trimmer shown in FIG. 1; FIG. 5 is a right side view of the cordless trimmer shown in FIG. 1; FIG. 6 is a top view of the cordless trimmer shown in FIG. 1; and, FIG. 7 is a bottom view of the cordless trimmer shown in FIG. 1.

The broken lines in the drawings illustrate portions of the cordless trimmer and form no part of the claimed design.

1 Claim, 6 Drawing Sheets



(56)

References Cited

U.S. PATENT DOCUMENTS

5,261,162 A 11/1993 Siegler
 D342,875 S 1/1994 Franke et al.
 D343,777 S 2/1994 Vossoughi et al.
 D347,772 S 6/1994 Kiyooka et al.
 D351,096 S 10/1994 Gierke
 D355,198 S 2/1995 Kikuchi
 D355,817 S 2/1995 Nakadachi
 D355,818 S 2/1995 Nakadachi
 D356,013 S 3/1995 Kiyooka et al.
 D356,014 S 3/1995 Griffin
 D358,308 S 5/1995 Griffin
 D360,341 S 7/1995 Hirooka et al.
 D361,251 S 8/1995 Griffin
 D361,336 S 8/1995 Tinius
 D361,702 S 8/1995 Kidwell et al.
 D364,326 S 11/1995 Lohse et al.
 5,485,814 A 1/1996 Tuggle et al.
 5,540,291 A 7/1996 Coleman
 D372,407 S 8/1996 Haneda et al.
 5,570,512 A 11/1996 Hoppner
 D377,441 S 1/1997 Hoppner et al.
 D378,184 S 2/1997 Naslund et al.
 D386,958 S 12/1997 Karlsson et al.
 5,800,571 A 9/1998 Carlson et al.
 5,855,069 A 1/1999 Matsubayashi et al.
 D412,652 S 8/1999 Durr et al.
 5,979,064 A 11/1999 Kitz et al.
 5,992,025 A 11/1999 Fricke
 6,016,604 A 1/2000 Wolf et al.
 6,065,214 A 5/2000 Nagashima
 D427,862 S 7/2000 Yamane et al.
 6,082,087 A 7/2000 Tada et al.
 6,125,547 A 10/2000 Nagashima
 D446,699 S 8/2001 Marshall et al.
 6,295,953 B1 10/2001 Ohsawa et al.
 D457,925 S 5/2002 Grafton
 D460,667 S 7/2002 Waldron
 D462,882 S 9/2002 Evans
 D463,228 S 9/2002 Cooper
 D463,229 S 9/2002 Gabriel
 D468,600 S 1/2003 Evans
 6,508,004 B2 1/2003 Tezuka et al.
 D473,116 S 4/2003 Jong
 D474,947 S 5/2003 Holmdahl et al.
 6,637,117 B2 10/2003 Kobayashi
 D482,942 S 12/2003 Ohi et al.
 D487,216 S 3/2004 Arvidsson
 6,701,623 B2 3/2004 Sanders
 6,735,873 B2 5/2004 Langhans et al.
 6,810,967 B1 11/2004 Phillips
 D505,602 S 5/2005 Houghton
 D505,844 S 6/2005 Houghton
 D506,653 S 6/2005 Elsworthy
 6,918,451 B2 7/2005 Nagashima et al.
 D510,512 S 10/2005 Robson
 6,973,726 B2 12/2005 Kramer
 D519,336 S 4/2006 Ono et al.
 D522,818 S 6/2006 Andriolo
 D530,163 S 10/2006 Xue-feng et al.
 7,168,132 B2 1/2007 Durr et al.
 D543,805 S 6/2007 Houghton
 D551,921 S 10/2007 Houghton
 D560,983 S 2/2008 Tinius
 D563,740 S 3/2008 Andriolo
 D563,747 S 3/2008 Tinius
 D566,491 S 4/2008 Martin et al.
 D566,493 S 4/2008 Wang
 7,395,601 B2 7/2008 Berfield
 D578,842 S 10/2008 Houghton

D580,237 S 11/2008 Bradford
 D580,238 S 11/2008 Murray
 D580,239 S 11/2008 Murray
 D580,240 S 11/2008 Murray
 D580,719 S 11/2008 Baxter
 D582,224 S 12/2008 Bochmann et al.
 D582,225 S 12/2008 Bochmann
 D582,736 S 12/2008 Ghirardi
 7,493,696 B2 2/2009 Suzuki et al.
 7,520,061 B2 4/2009 Herzog et al.
 D596,000 S 7/2009 Klingbeil
 D600,515 S 9/2009 Tinius
 D600,516 S 9/2009 Tinius
 D600,517 S 9/2009 Tinius
 D605,910 S 12/2009 Tinius
 D606,829 S 12/2009 Tinius
 D609,066 S 2/2010 Tinius
 D609,067 S 2/2010 Tinius
 D623,487 S 9/2010 Tinius
 D624,371 S 9/2010 Tinius
 D624,372 S 9/2010 Misaki
 D625,159 S 10/2010 Tinius
 D625,160 S 10/2010 Misaki
 7,992,308 B1 8/2011 Fisher
 D648,194 S 11/2011 Tinius
 8,098,036 B2 1/2012 Matsunaga et al.
 D656,370 S 3/2012 Tinius
 8,127,455 B2 3/2012 Wenckel et al.
 8,136,254 B2 3/2012 Gieske et al.
 D668,516 S * 10/2012 Landberg D8/8
 D668,517 S 10/2012 Landberg
 D668,518 S 10/2012 Landberg
 D670,144 S 11/2012 Tinius
 D672,624 S 12/2012 Naas
 D675,074 S 1/2013 Baxter
 8,350,512 B2 1/2013 Matsunaga et al.
 D690,569 S 10/2013 Tinius
 D691,865 S 10/2013 Wang
 D692,287 S 10/2013 Tinius
 8,549,758 B2 10/2013 Ito et al.
 8,573,323 B2 11/2013 Muller et al.
 D702,630 S 4/2014 Tinius
 D709,743 S 7/2014 Tinius
 D711,203 S 8/2014 Tinius
 D712,215 S 9/2014 Tajik
 D712,217 S * 9/2014 Kawase D8/8
 D720,582 S 1/2015 Tinius
 D731,268 S 6/2015 Aglassinger
 D732,358 S 6/2015 Tinius
 D740,088 S * 10/2015 Ishikawa D8/8
 D758,150 S * 6/2016 Tinius D8/8
 2002/0124837 A1 9/2002 Maier et al.
 2002/0129502 A1 9/2002 Durr et al.
 2003/0051351 A1 3/2003 Buchholtz et al.
 2003/0183187 A1 10/2003 Menzel et al.
 2004/0103857 A1 6/2004 Kruse
 2005/0050867 A1 3/2005 Taomo et al.
 2006/0112683 A1 6/2006 Huber
 2006/0156552 A1 * 7/2006 Schilling A01D 75/20
 30/276
 2007/0101581 A1 5/2007 Carls
 2007/0180705 A1 8/2007 Chiu
 2010/0313430 A1 12/2010 Yamaoka
 2011/0241457 A1 10/2011 Muller
 2012/0227270 A1 9/2012 Ito
 2013/0047802 A1 2/2013 Vierck
 2014/0182143 A1 7/2014 Morita
 2014/0208597 A1 7/2014 Zhou
 2014/0246214 A1 * 9/2014 Racov A01D 34/902
 173/217
 2014/0259692 A1 9/2014 Racov

* cited by examiner

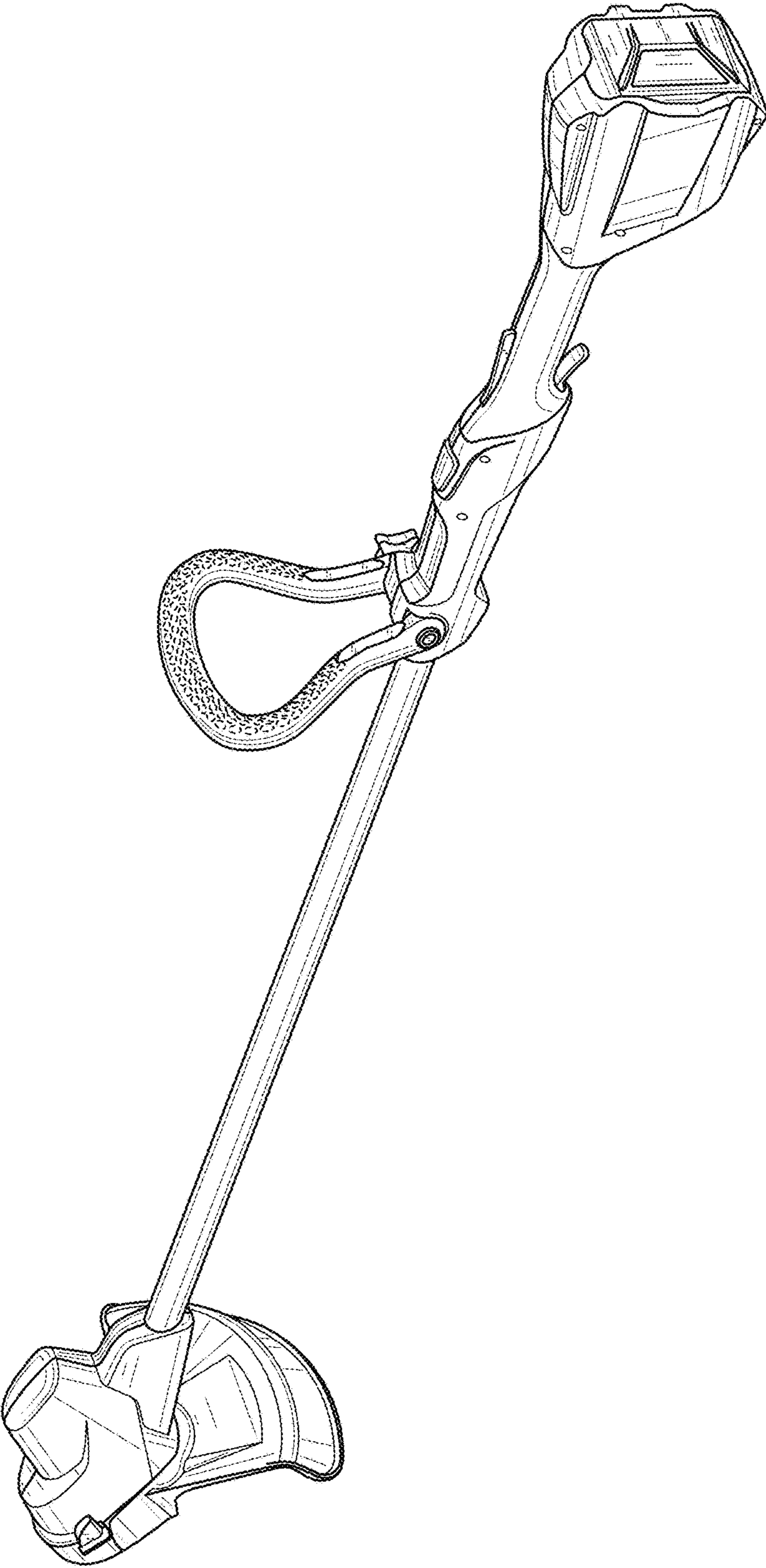


FIG. 1

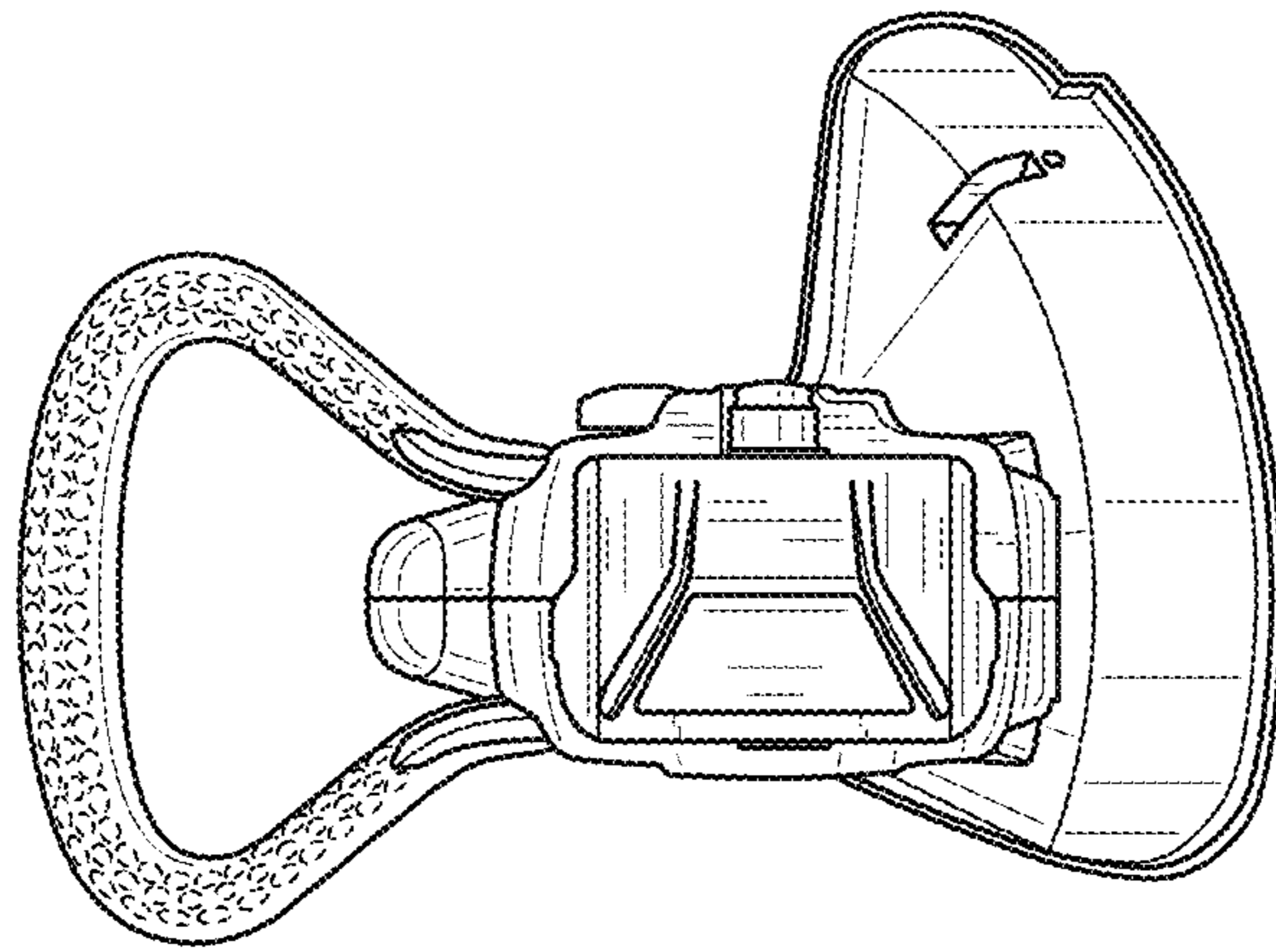


FIG. 3

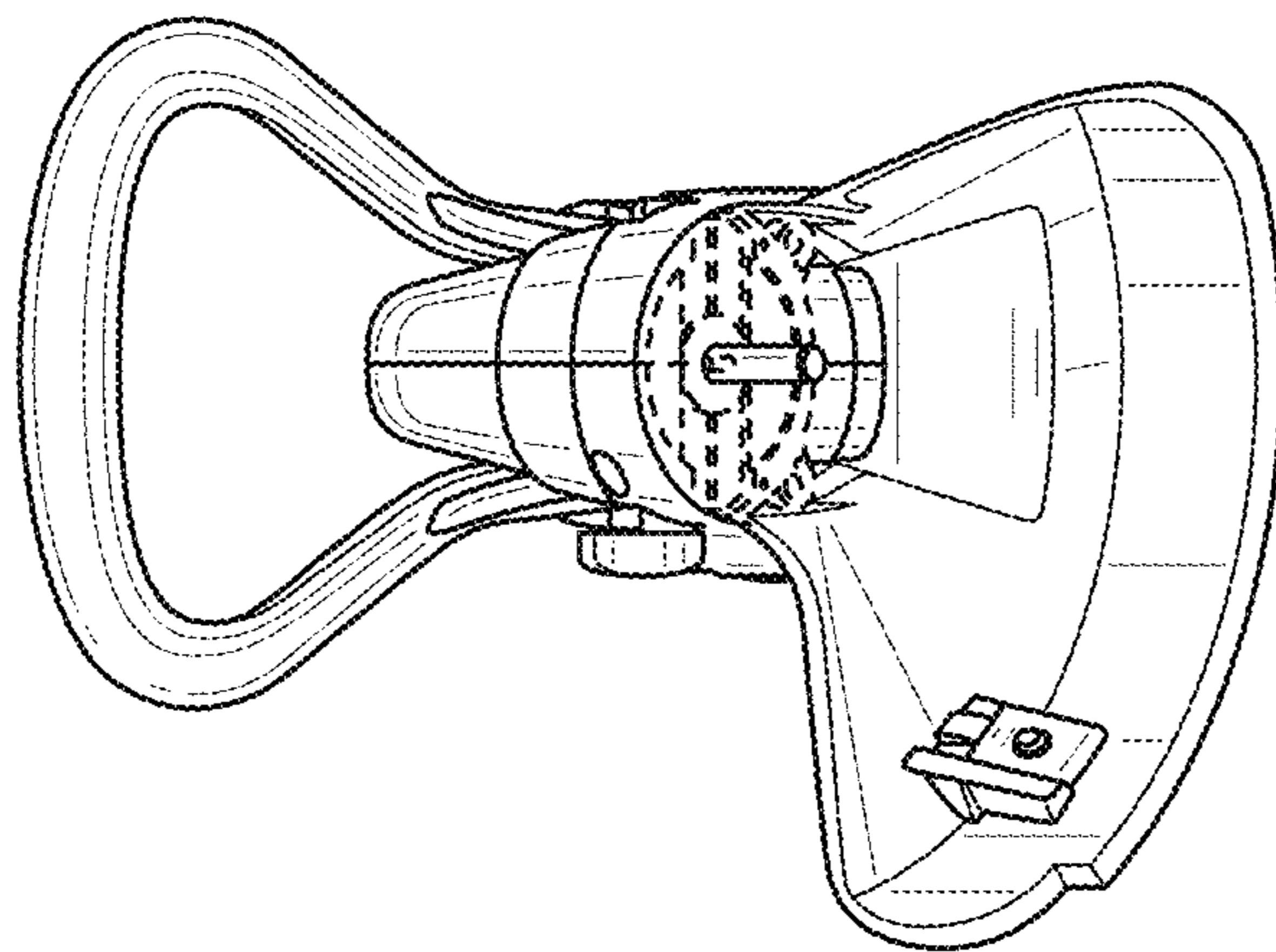


FIG. 2

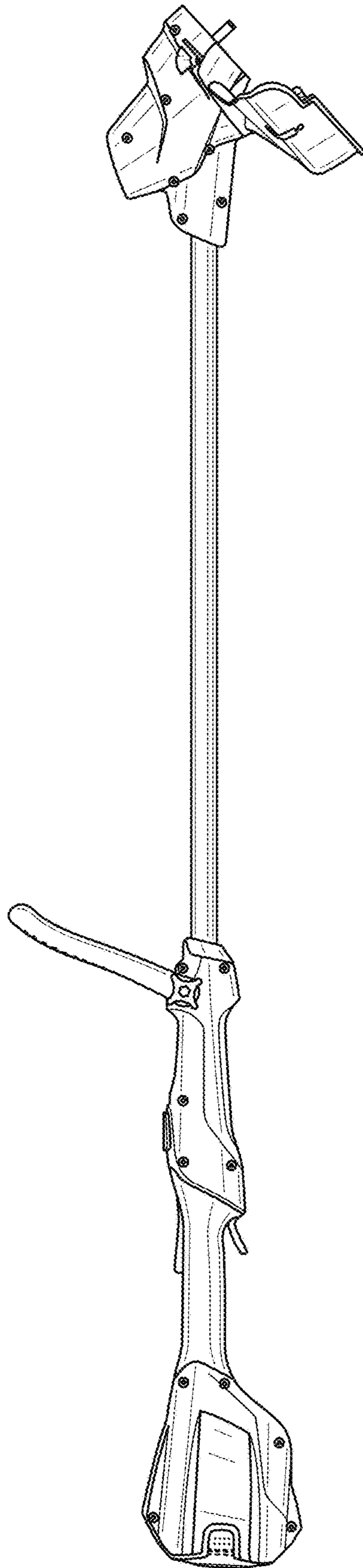


FIG. 4

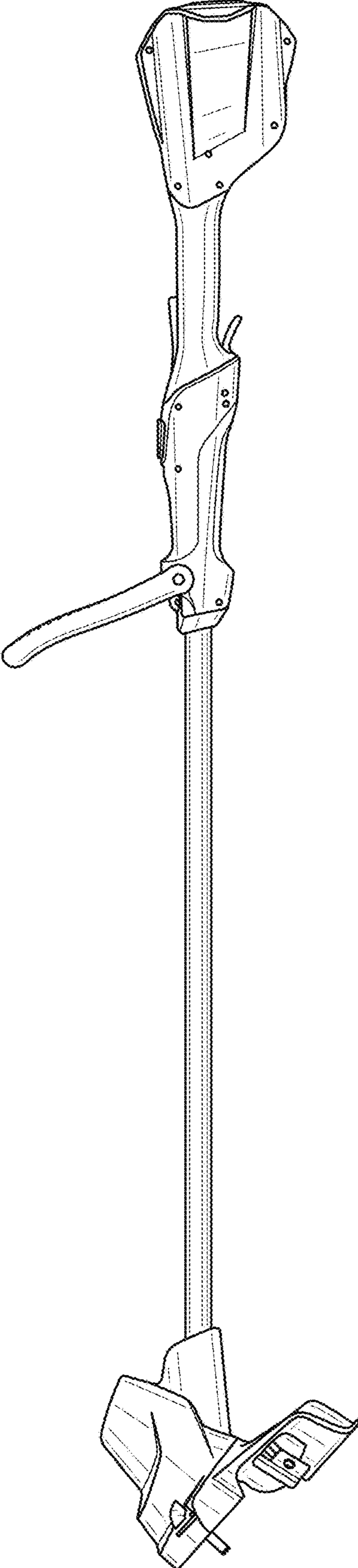


FIG. 5

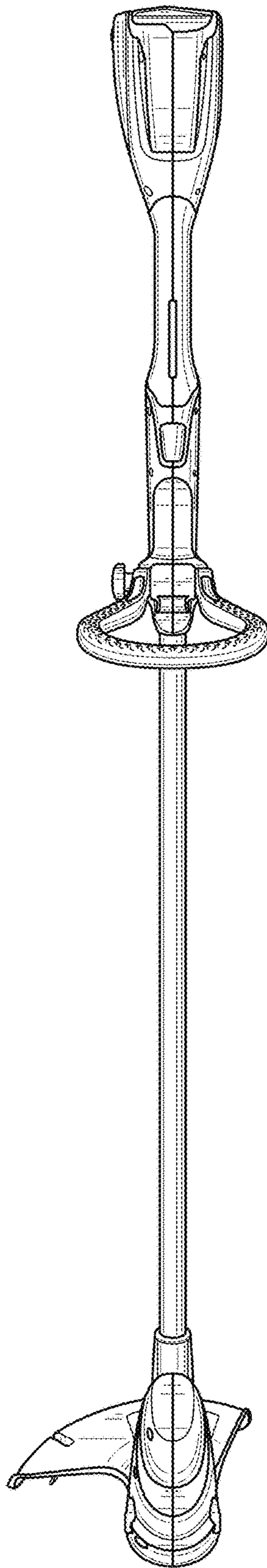


FIG. 6

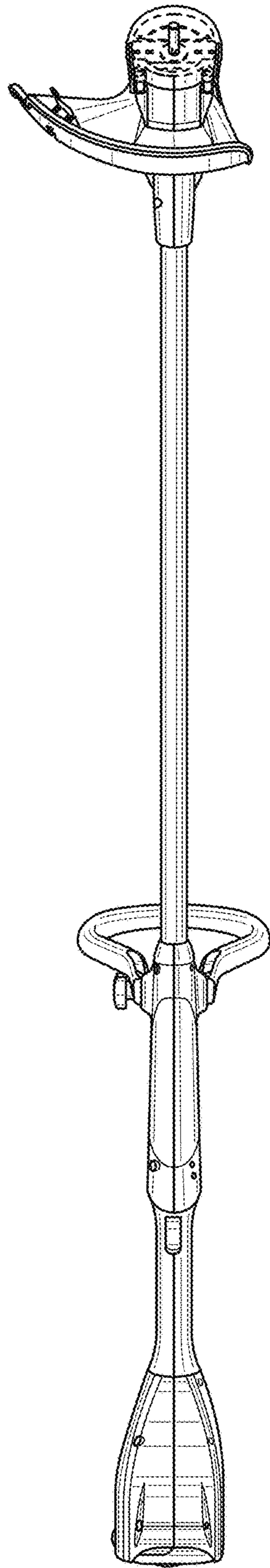


FIG. 7