



US00D798676S

(12) **United States Design Patent** (10) **Patent No.:** **US D798,676 S**  
**McGuyer** (45) **Date of Patent:** **\*\* Oct. 3, 2017**

- (54) **CULINARY GRATER**
- (71) Applicant: **Grace Manufacturing, Inc.**,  
Russellville, AR (US)
- (72) Inventor: **Carter W. McGuyer**, Tuscumbia, AL  
(US)
- (73) Assignee: **Grace Manufacturing, Inc.**,  
Russellville, AR (US)
- (\*\*) Term: **15 Years**
- (21) Appl. No.: **29/573,330**
- (22) Filed: **Aug. 4, 2016**
- (51) **LOC (10) Cl.** ..... **07-04**
- (52) **U.S. Cl.**  
USPC ..... **D7/678**
- (58) **Field of Classification Search**  
USPC ..... D7/371, 372, 376, 381, 393, 408, 649,  
D7/650, 665, 666, 668, 669, 673,  
D7/678-680, 682, 688, 692-696; D28/59  
CPC .. A47J 19/04; A47J 17/02; A47J 17/04; A47J  
43/00; A47J 43/25; A47J 43/255; B26D  
1/30; B26D 7/18  
See application file for complete search history.

(56) **References Cited**

U.S. PATENT DOCUMENTS

612,924 A	10/1898	Grenier	
1,160,043 A	11/1915	Clark	
D49,638 S	5/1916	Barlow et al.	
2,181,674 A	11/1939	Truesdale	
2,312,940 A	3/1943	Truesdale	
2,661,039 A	12/1953	Davis et al.	
2,737,721 A	3/1956	Hart	
D199,837 S	* 12/1964	Hansen	452/105
D253,219 S	10/1979	Meyer	
4,644,838 A	2/1987	Samson et al.	
4,704,959 A	11/1987	Scallen	
5,101,720 A	4/1992	Bianchi	
5,271,317 A	12/1993	Aguerrevere et al.	

- 5,302,234 A 4/1994 Grace et al.
  - D351,973 S 11/1994 Chak
  - D387,630 S 12/1997 Laib
  - D389,019 S 1/1998 Molo
- (Continued)

OTHER PUBLICATIONS

Microplane Brand Shop. Microplane—Medium Ribbon Grater—Master Series. Jan. 2, 2017 [earliest online date], [site visited Jun. 28, 2018]. Available from Internet, <URL:http://www.microplane-brandshop.com/Microplane-Medium-Ribbon-Grater-Master-Series>.\*

(Continued)

*Primary Examiner* — Robert M Spear  
*Assistant Examiner* — Darcey E Heflin  
(74) *Attorney, Agent, or Firm* — Warner Norcross & Judd LLP

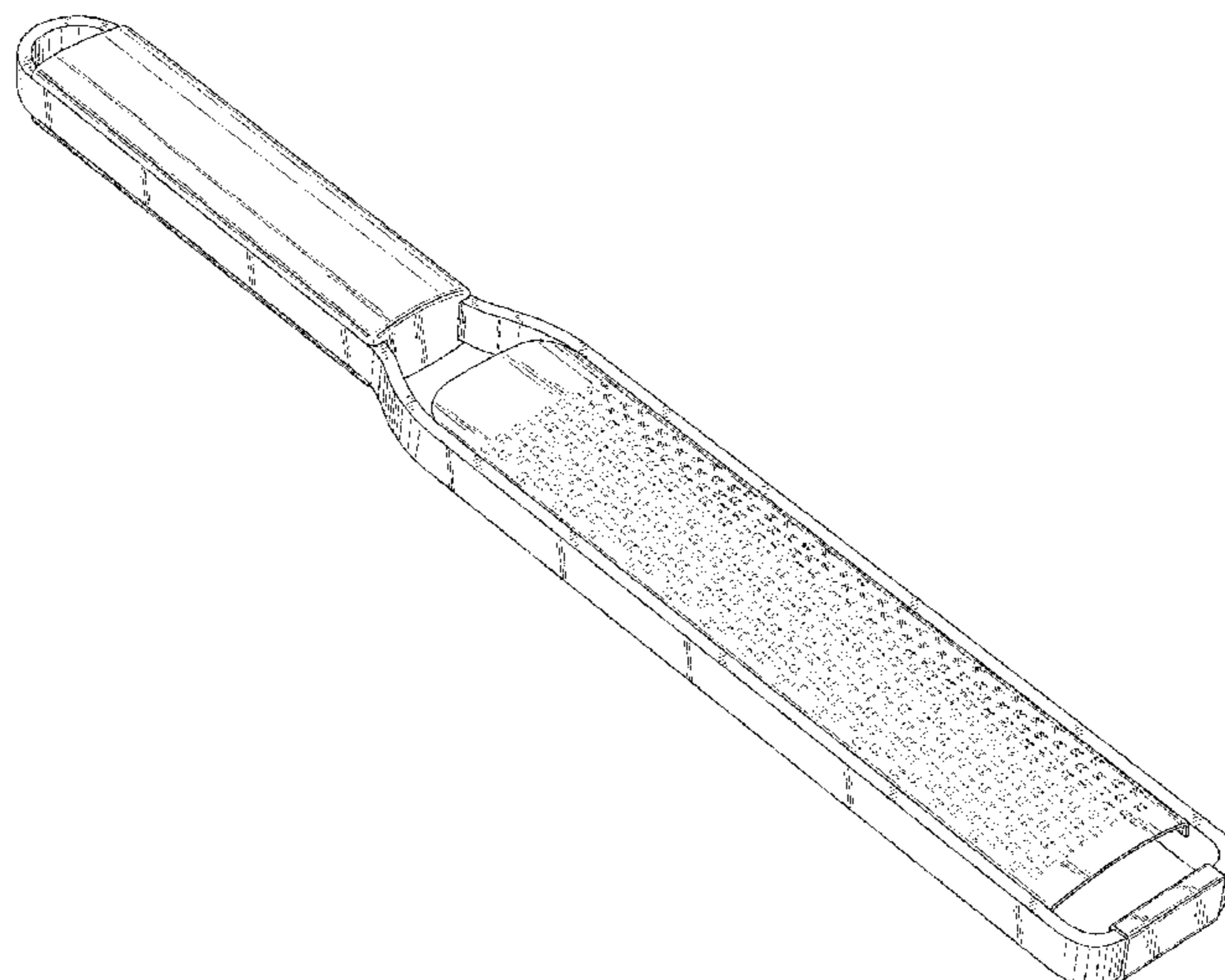
(57) **CLAIM**

I claim the ornamental design for a culinary grater, as shown and described.

**DESCRIPTION**

FIG. 1 is a perspective view of the culinary grater embodying the new design;  
FIG. 2 is a front view thereof;  
FIG. 3 is a back view thereof;  
FIG. 4 is a left view thereof;  
FIG. 5 is a right view thereof;  
FIG. 6 is a top view thereof; and,  
FIG. 7 is a bottom view thereof.  
FIGS. 1-7 show features of a culinary grater in phantom lines. These features are shown for environmental purposes and do not form any part of the claimed design. Further, the phantom lines immediately adjacent the solid-line portions of the design form the boundary of the design, with the phantom lines forming no part of the claimed design.

**1 Claim, 4 Drawing Sheets**



(56)

References Cited

U.S. PATENT DOCUMENTS

5,947,016 A 9/1999 Repac et al.  
 5,981,895 A 11/1999 Grace et al.  
 D419,039 S 1/2000 Rimback  
 D419,040 S 1/2000 Rimback  
 6,129,234 A 10/2000 Culig et al.  
 6,168,600 B1 1/2001 Grace et al.  
 6,209,439 B1 4/2001 Repac et al.  
 D446,697 S 8/2001 Bodum  
 6,318,652 B1 11/2001 Liu  
 D451,350 S 12/2001 Spalding et al.  
 D458,519 S 6/2002 Tse  
 6,401,605 B1 6/2002 Repac et al.  
 6,409,107 B1 6/2002 Romano  
 D465,700 S 11/2002 Wong et al.  
 6,505,536 B2 1/2003 Wilhelm  
 D475,584 S 6/2003 Bachman et al.  
 D478,254 S 8/2003 Chau  
 6,766,972 B1 7/2004 Prommel et al.  
 D494,026 S 8/2004 Brousseau et al.  
 6,805,032 B2 10/2004 Engdahl  
 6,860,441 B2 3/2005 Richardson  
 D511,946 S 11/2005 Overthun et al.  
 6,974,098 B2 12/2005 Keller  
 7,017,843 B2 3/2006 Romano  
 D518,689 S 4/2006 McGuyer  
 7,086,155 B2 8/2006 Chan et al.  
 7,150,214 B2 12/2006 Repac et al.  
 D543,422 S 5/2007 Kaposi  
 D546,638 S 7/2007 Kaposi  
 D548,022 S 8/2007 Kaposi  
 7,293,588 B2 11/2007 Dawson et al.  
 7,299,747 B2 11/2007 So  
 D568,118 S 5/2008 Chalfant et al.  
 D569,200 S 5/2008 Chalfant et al.  
 D577,552 S 9/2008 Chalfant et al.  
 D578,839 S 10/2008 McGuyer et al.  
 7,461,803 B2 12/2008 Boemer  
 D593,819 S 6/2009 McGuyer et al.  
 D604,124 S \* 11/2009 Smith ..... D7/678

D604,459 S \* 11/2009 Keller ..... D28/59  
 D605,906 S \* 12/2009 Smith ..... D7/678  
 D608,604 S 1/2010 Griffith  
 7,648,092 B2 1/2010 Wong et al.  
 D614,460 S 4/2010 Grace et al.  
 D625,969 S 10/2010 McGuyer et al.  
 D627,609 S 11/2010 McGuyer et al.  
 8,046,921 B2 11/2011 Mastroianni  
 D658,005 S 4/2012 Haggerty et al.  
 D660,099 S 5/2012 McGuyer  
 D660,100 S 5/2012 McGuyer  
 D668,912 S 10/2012 Haggerty et al.  
 D670,544 S 11/2012 Junker et al.  
 8,322,277 B2 12/2012 Griffith  
 D680,373 S 4/2013 Haggerty et al.  
 D680,820 S 4/2013 McGuyer  
 8,534,190 B2 9/2013 Ericsson et al.  
 D695,579 S \* 12/2013 Kestenbaum ..... D7/678  
 D699,507 S 2/2014 Schmidt et al.  
 D699,523 S 2/2014 McGuyer et al.  
 D741,017 S \* 10/2015 Exley ..... D28/59  
 D757,503 S \* 5/2016 Schuler ..... D7/678  
 9,339,140 B2 \* 5/2016 Smith ..... A47J 17/02  
 D759,436 S \* 6/2016 Wong ..... D7/678  
 2003/0035693 A1 2/2003 Chalfant  
 2004/0055437 A1 3/2004 Engdahl  
 2004/0247403 A1 12/2004 Grace et al.  
 2005/0178262 A1 8/2005 Repac et al.  
 2009/0025575 A1 1/2009 Lazaroff  
 2009/0272281 A1 11/2009 Hood et al.  
 2010/0012758 A1 1/2010 Chalfant et al.  
 2010/0145342 A1 6/2010 Grace et al.  
 2010/0270406 A1 10/2010 Grace et al.  
 2013/0092771 A1 4/2013 Cotter et al.

OTHER PUBLICATIONS

Microplane Ultimate Citrus Tool (prior art).  
 Microplane Zester (prior art).

\* cited by examiner

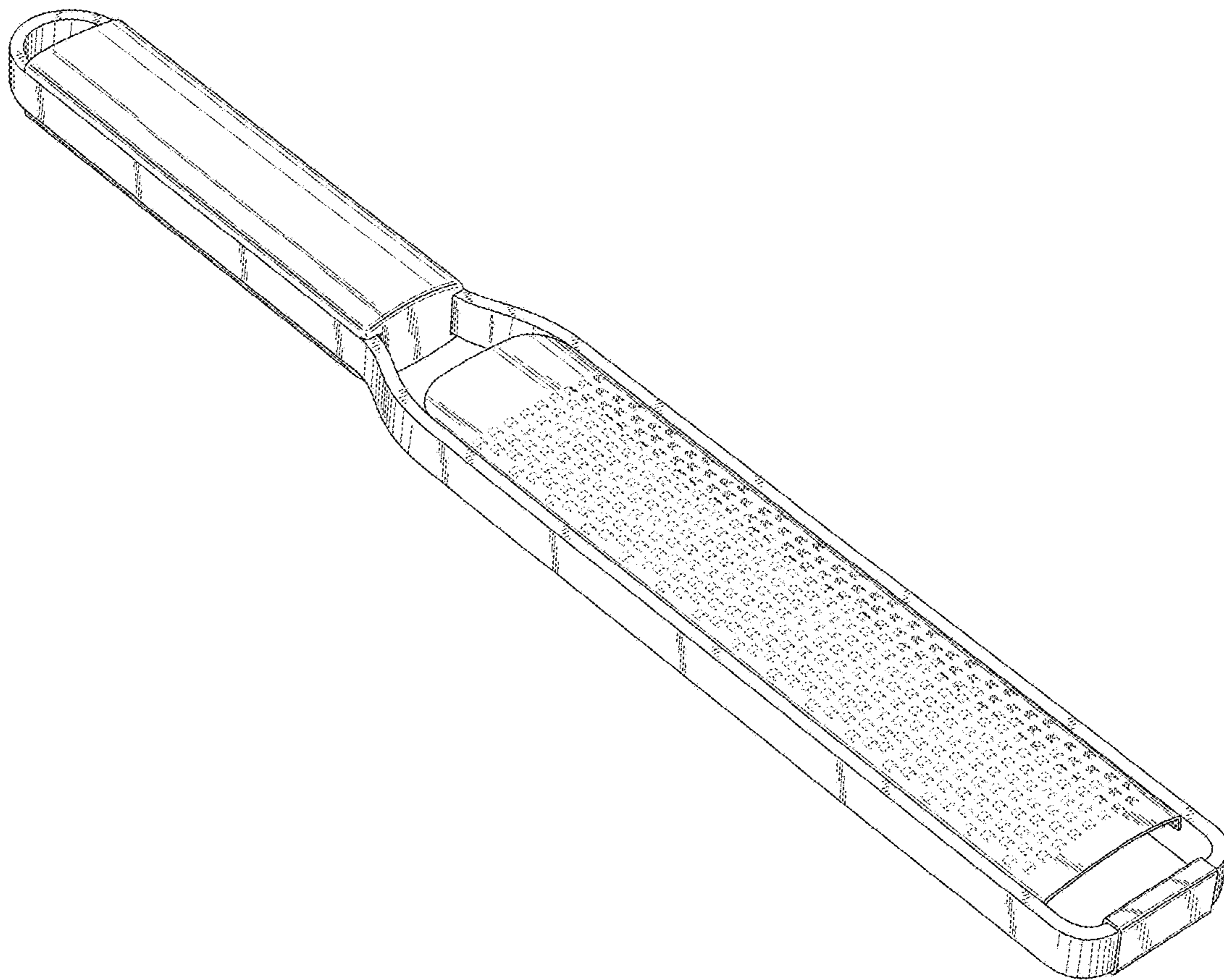


Fig. 1

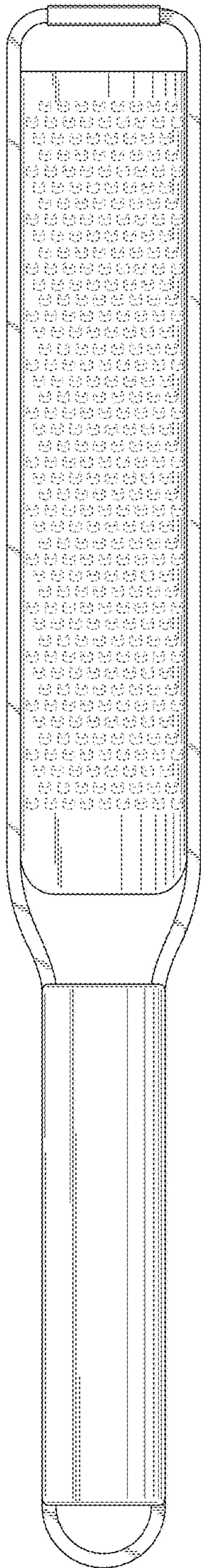


Fig. 2

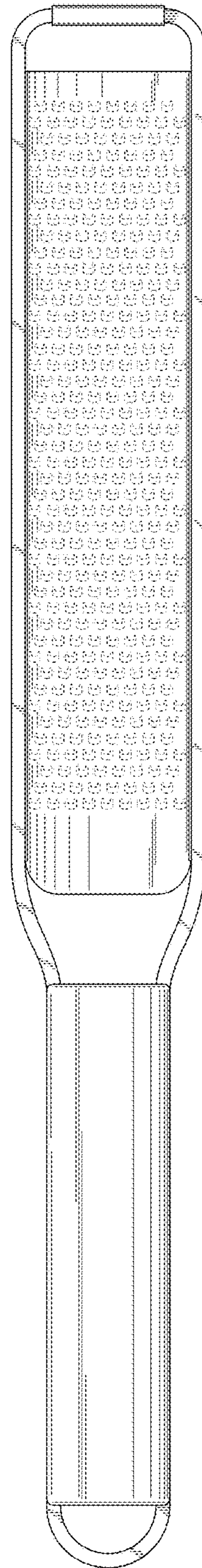


Fig. 3

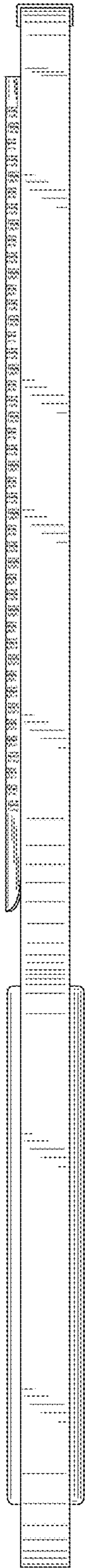


Fig. 4

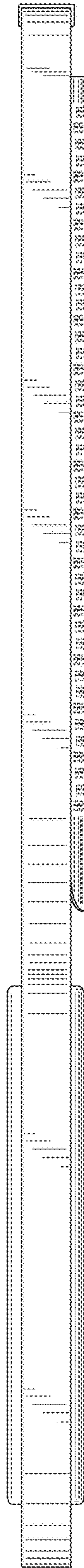


Fig. 5

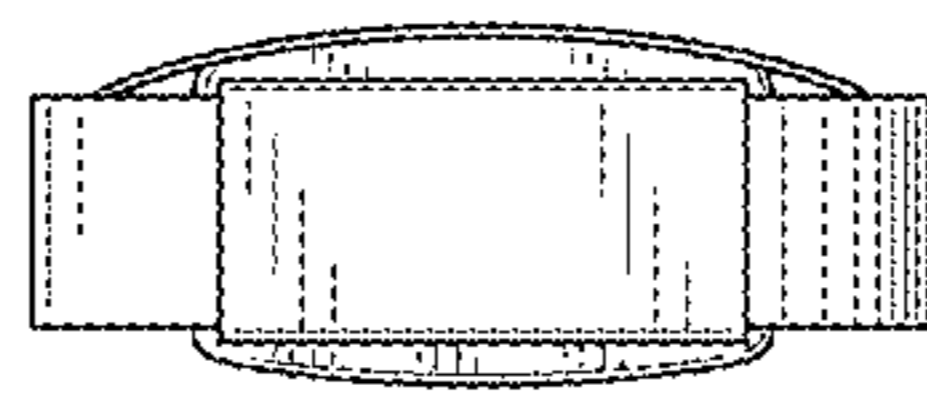


Fig. 6

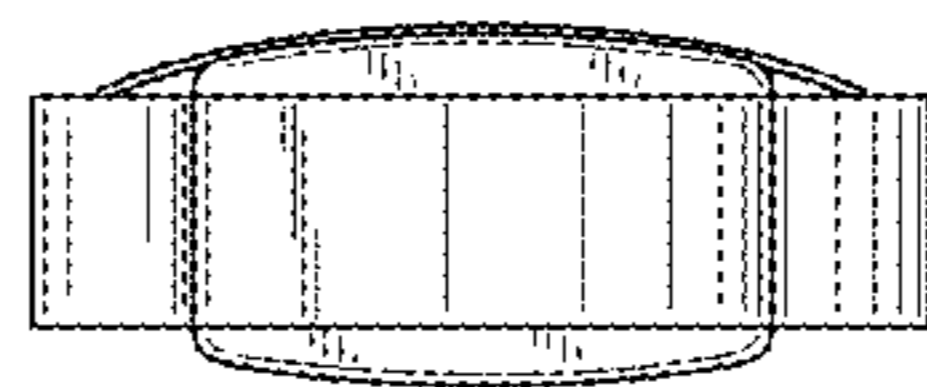


Fig. 7