



US00D798673S

(12) **United States Design Patent**
Gilmore

(10) **Patent No.:** **US D798,673 S**

(45) **Date of Patent:** **** Oct. 3, 2017**

- (54) **LIQUID CONTAINER ADAPTER**
- (71) Applicant: **Kit Consulting LLC**, Fairview, TN (US)
- (72) Inventor: **Scot Gilmore**, Fairview, TN (US)
- (73) Assignee: **Kit Consulting LLC**, Fairview, TN (US)
- (**) Term: **15 Years**
- (21) Appl. No.: **29/558,667**
- (22) Filed: **Mar. 21, 2016**
- (51) **LOC (10) Cl.** **07-06**
- (52) **U.S. Cl.**
USPC **D7/624.1**
- (58) **Field of Classification Search**
USPC D7/619.1-625, 605-608; D9/444
CPC . A47G 23/0216; A47G 23/0258; A47J 41/02;
A47J 41/0077; B65D 1/0215; B65D
81/3886; F25D 3/08; F25D 2331/804;
F17C 13/001; F17C 3/10
See application file for complete search history.

- 6,543,637 B1 * 4/2003 Osborn A47G 23/0216
220/737
- D622,108 S * 8/2010 McKnight D7/619.1
- 8,061,670 B1 * 11/2011 White B60N 3/10
248/309.1
- D675,882 S * 2/2013 Crockett D7/601

* cited by examiner

Primary Examiner — Terry A Wallace
(74) *Attorney, Agent, or Firm* — Patterson Intellectual Property Law, P.C.; Grant M. Ford

(57) **CLAIM**

The ornamental design for a liquid container adapter, as shown and described.

DESCRIPTION

FIG. 1 is a left, top perspective view of an embodiment of my new liquid container adapter.

FIG. 2 is a rear, top perspective view of the liquid container adapter of FIG. 1.

FIG. 3 is a top plan view of the liquid container adapter of FIG. 1.

FIG. 4 is a front elevational view of the liquid container adapter of FIG. 1.

FIG. 5 is a bottom plan view of the liquid container adapter of FIG. 1.

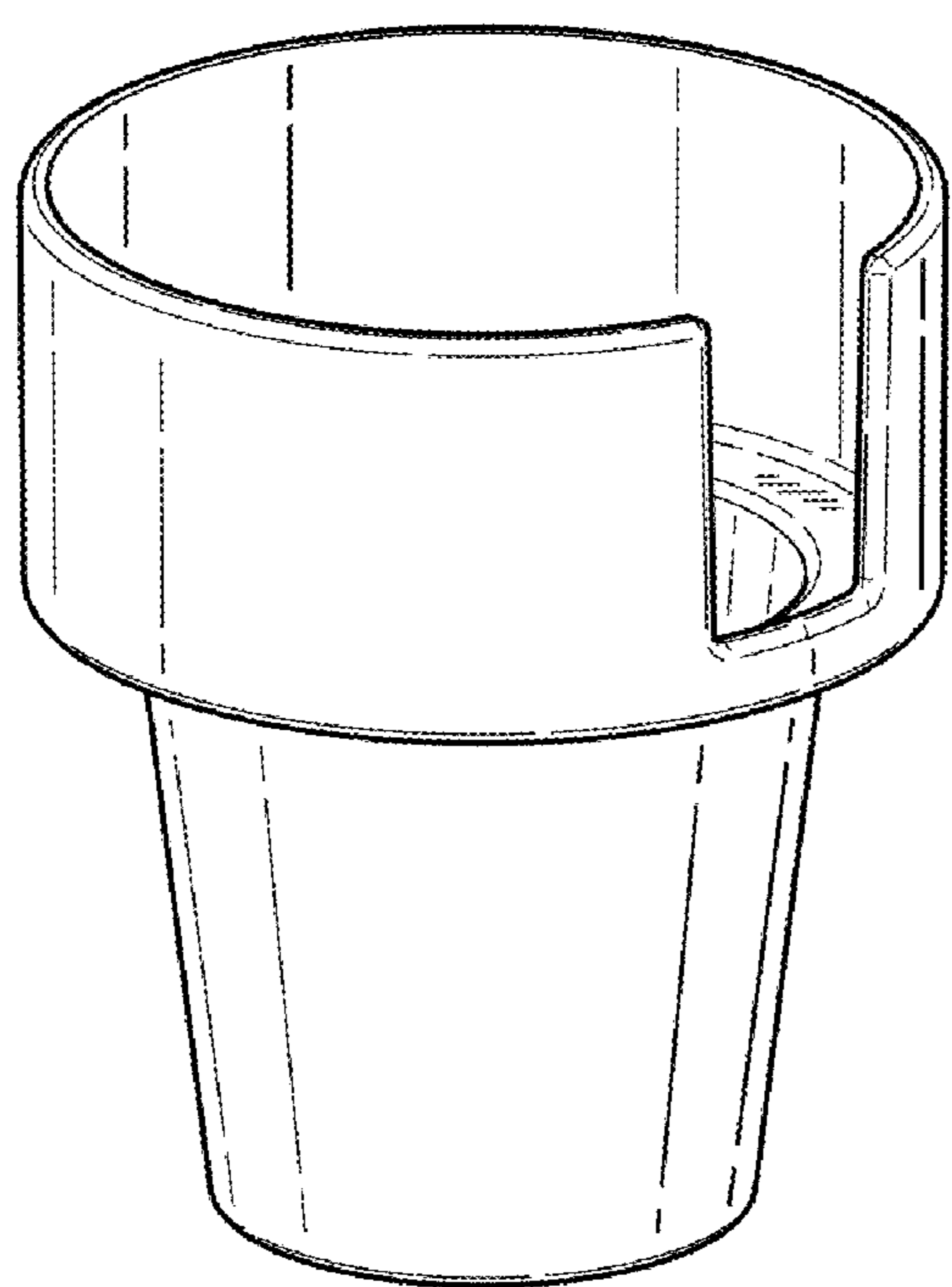
FIG. 6 is a rear elevational view of the liquid container adapter of FIG. 1.

FIG. 7 is a left side elevational view of the liquid container adapter of FIG. 1; and,

FIG. 8 is a right side elevational view of the liquid container adapter of FIG. 1.

1 Claim, 2 Drawing Sheets

- (56) **References Cited**
U.S. PATENT DOCUMENTS
- 5,088,673 A * 2/1992 Chandler B60N 3/103
215/386
- 5,285,953 A * 2/1994 Smith B60N 3/103
220/737
- D370,392 S * 6/1996 Flanagan D7/619.1
- D400,763 S * 11/1998 Taylor D7/619.1



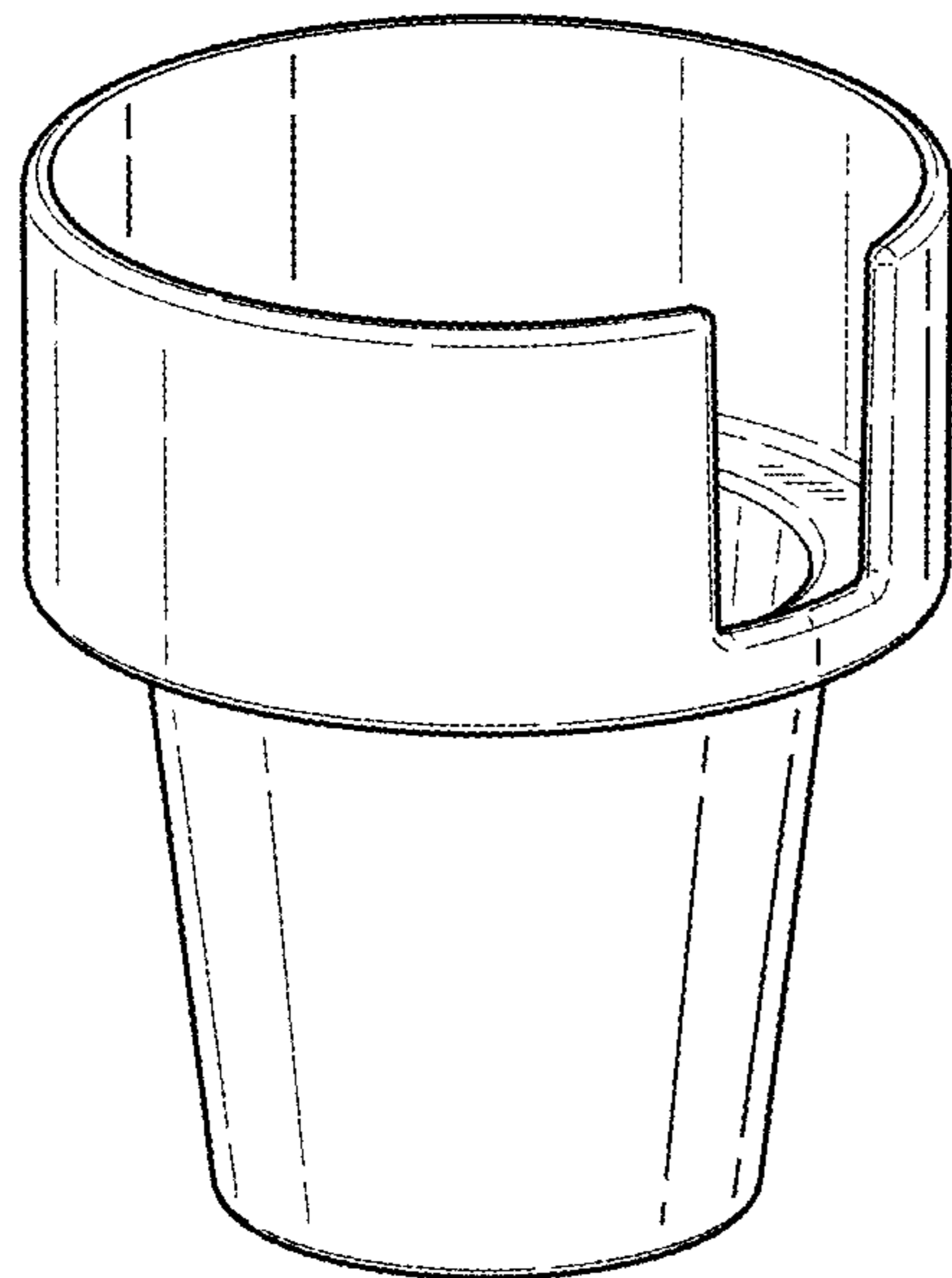


FIG. 1

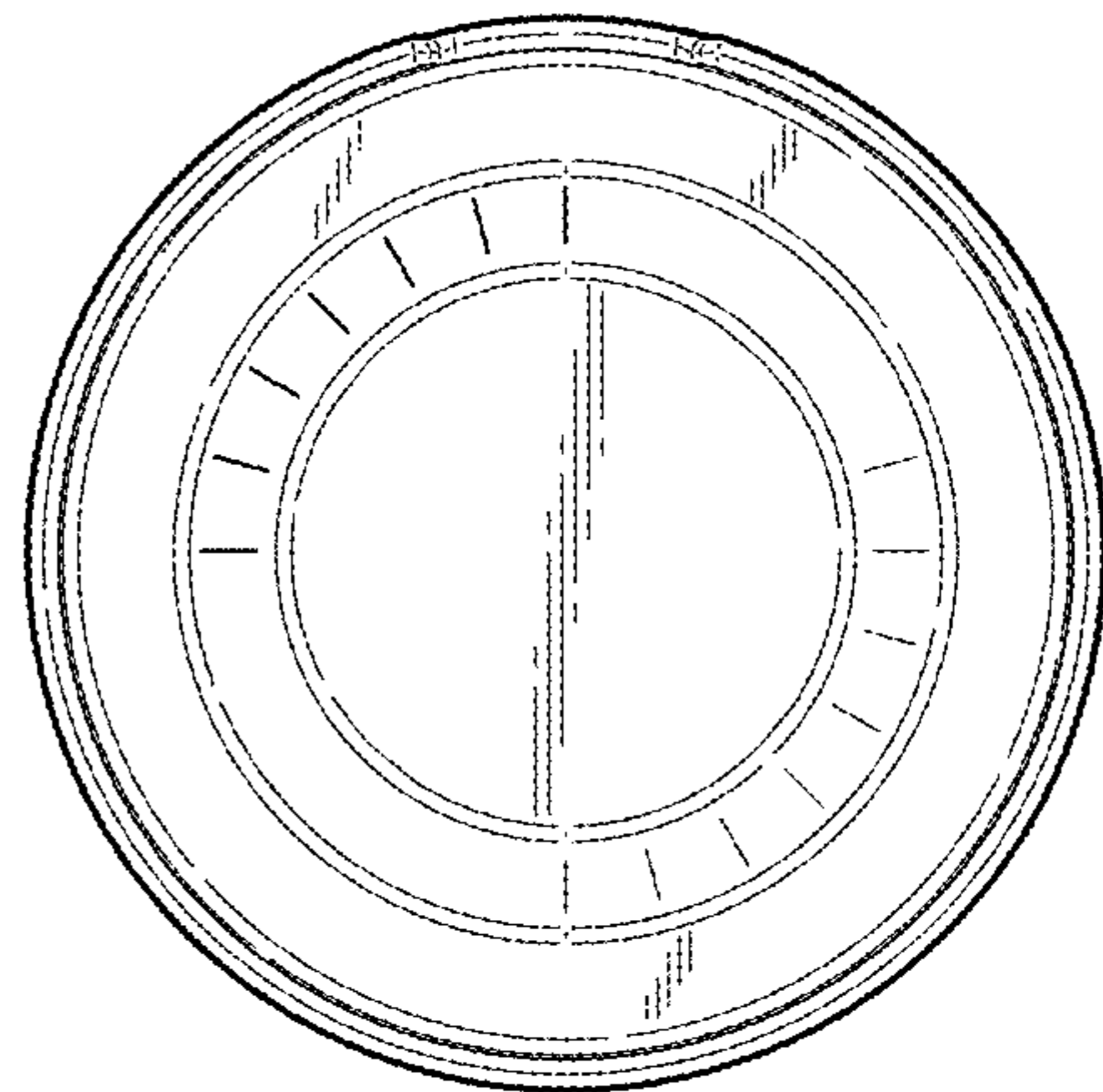


FIG. 3

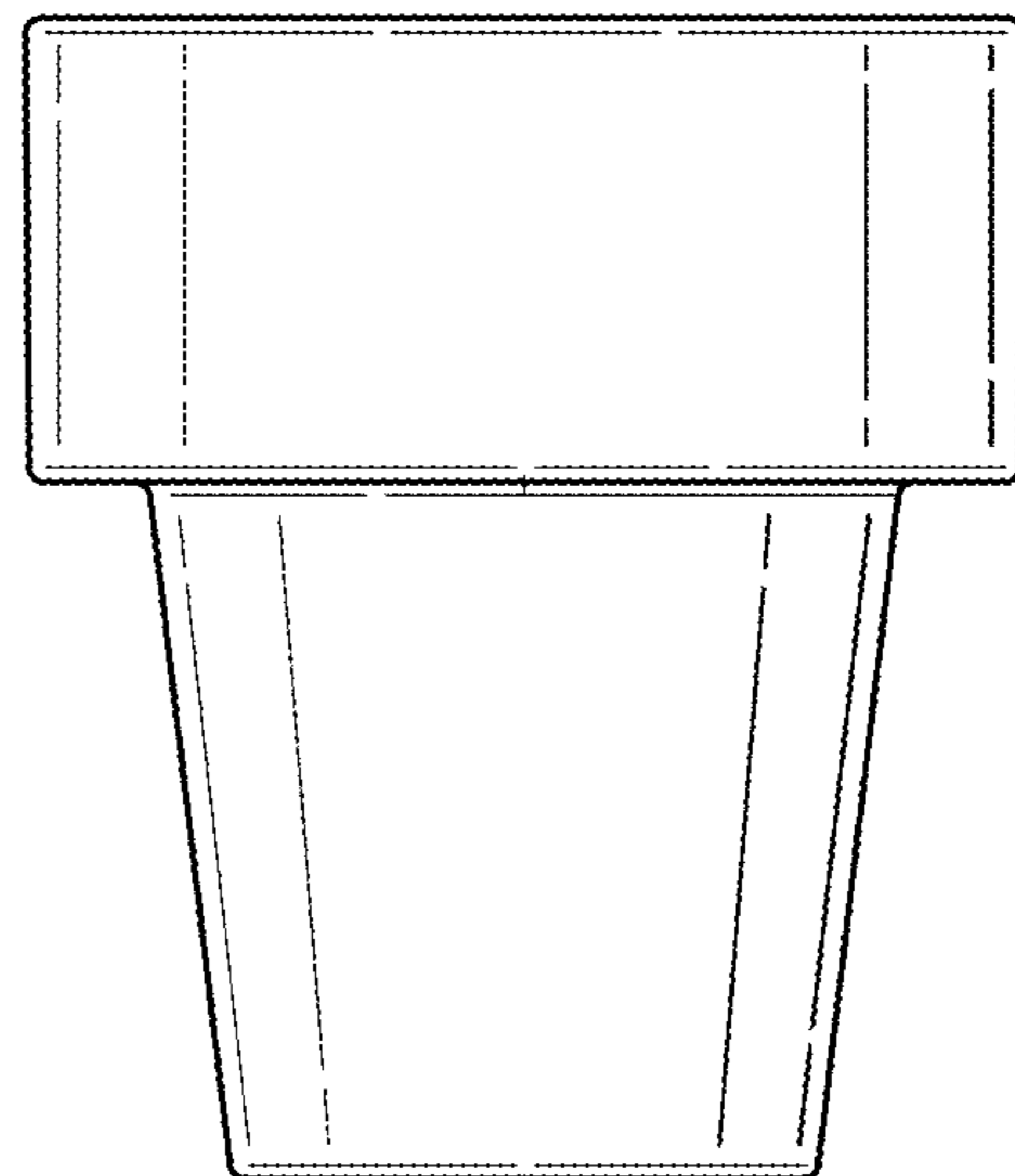


FIG. 4

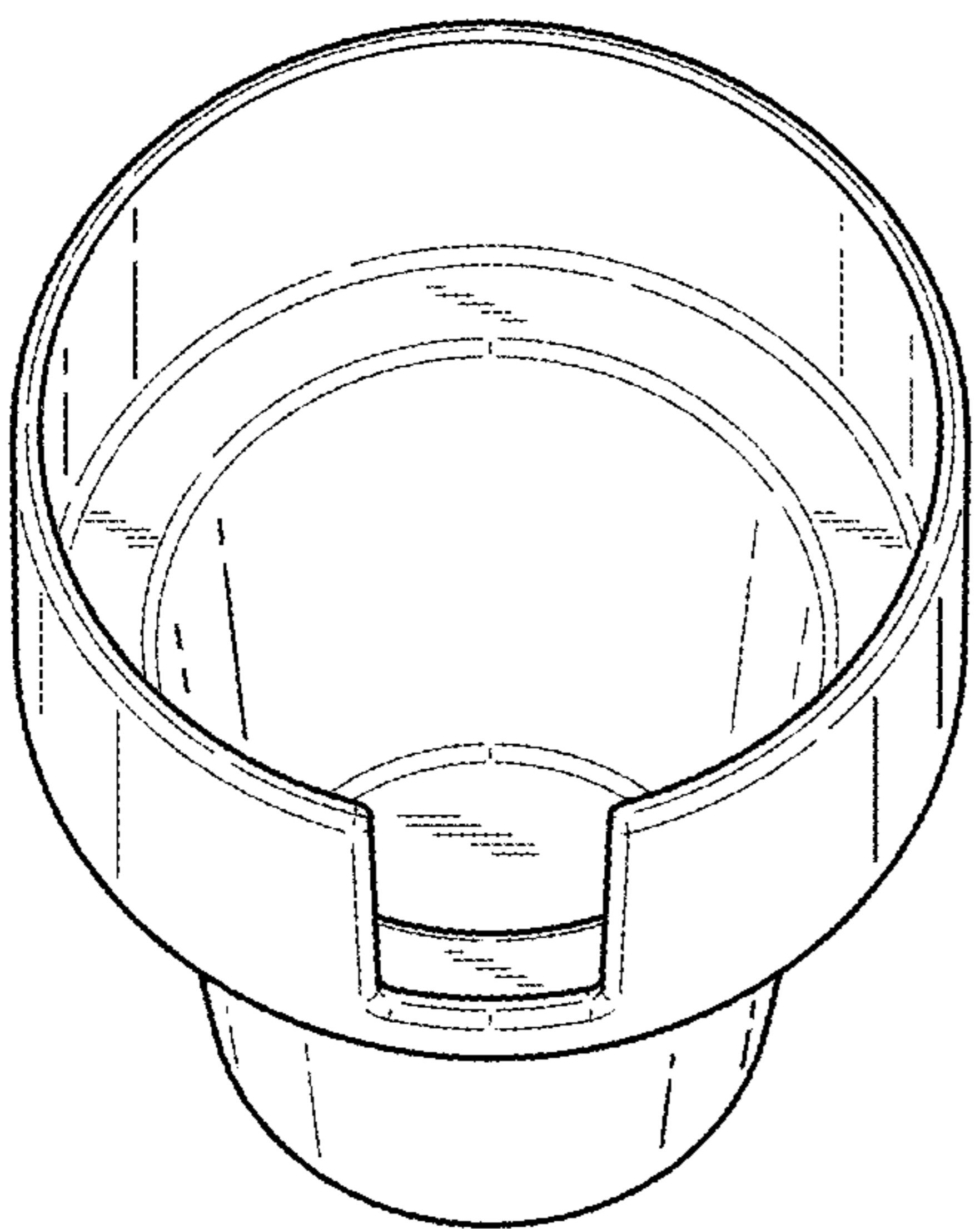


FIG. 2

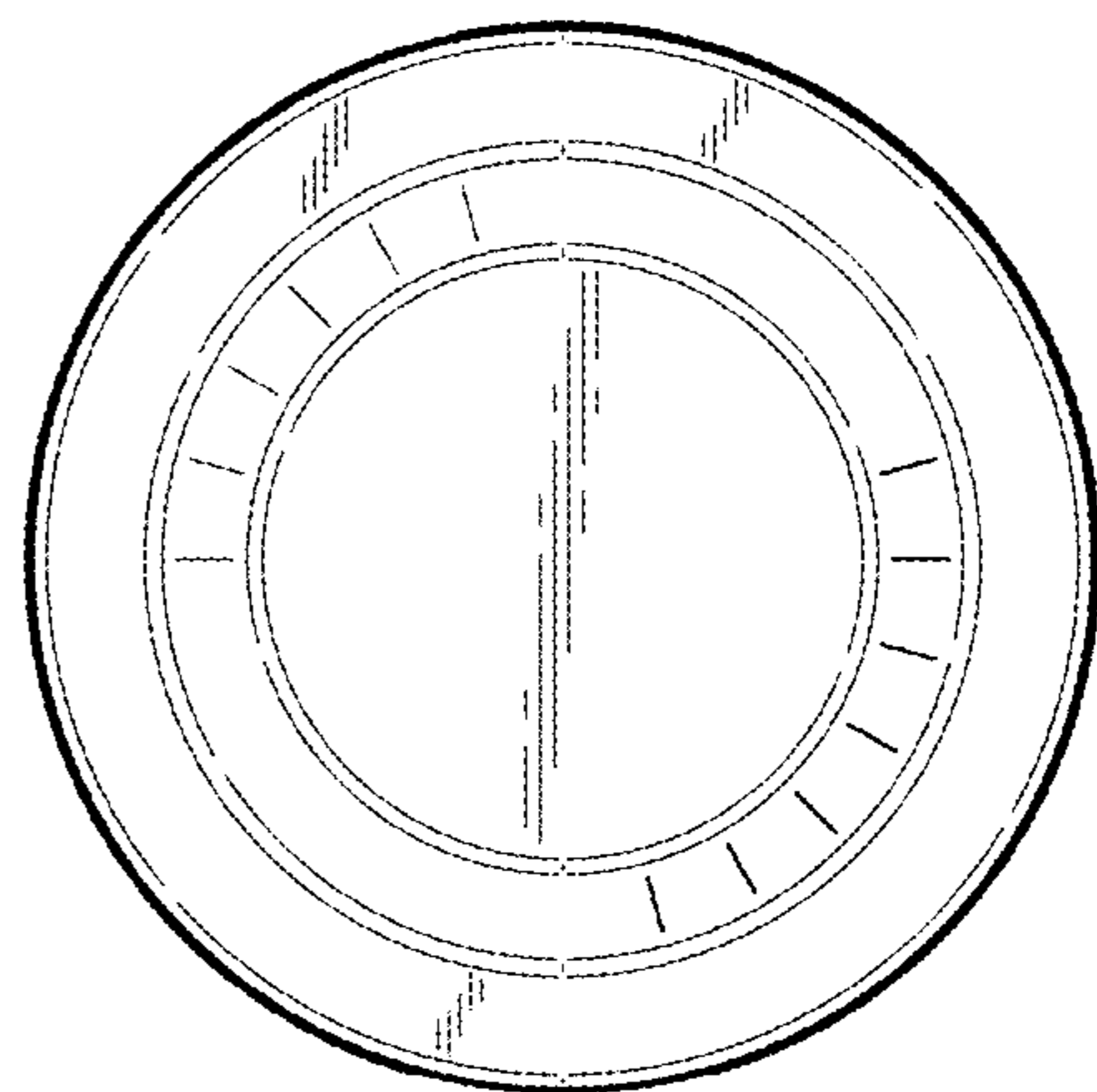


FIG. 5

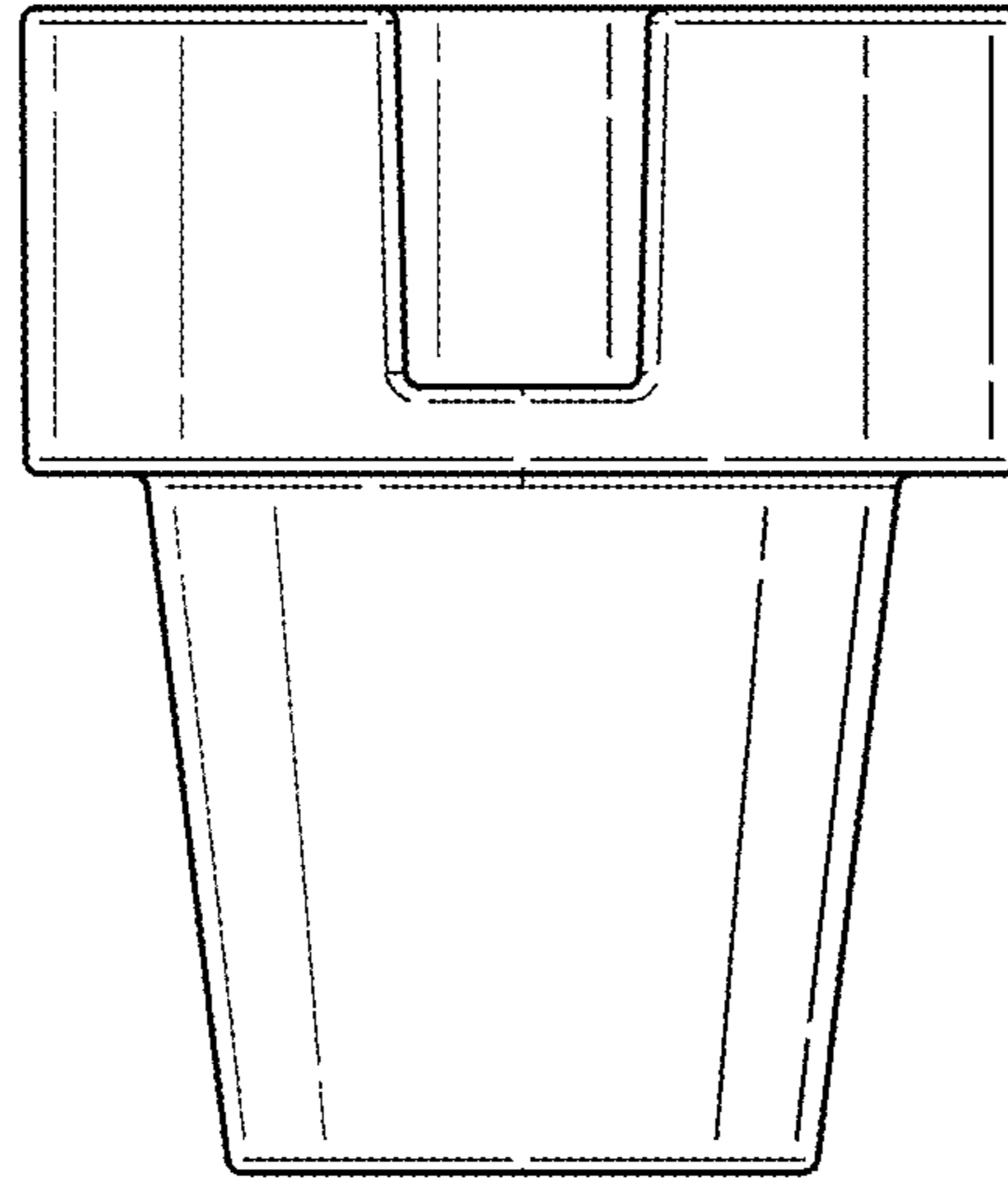


FIG. 6

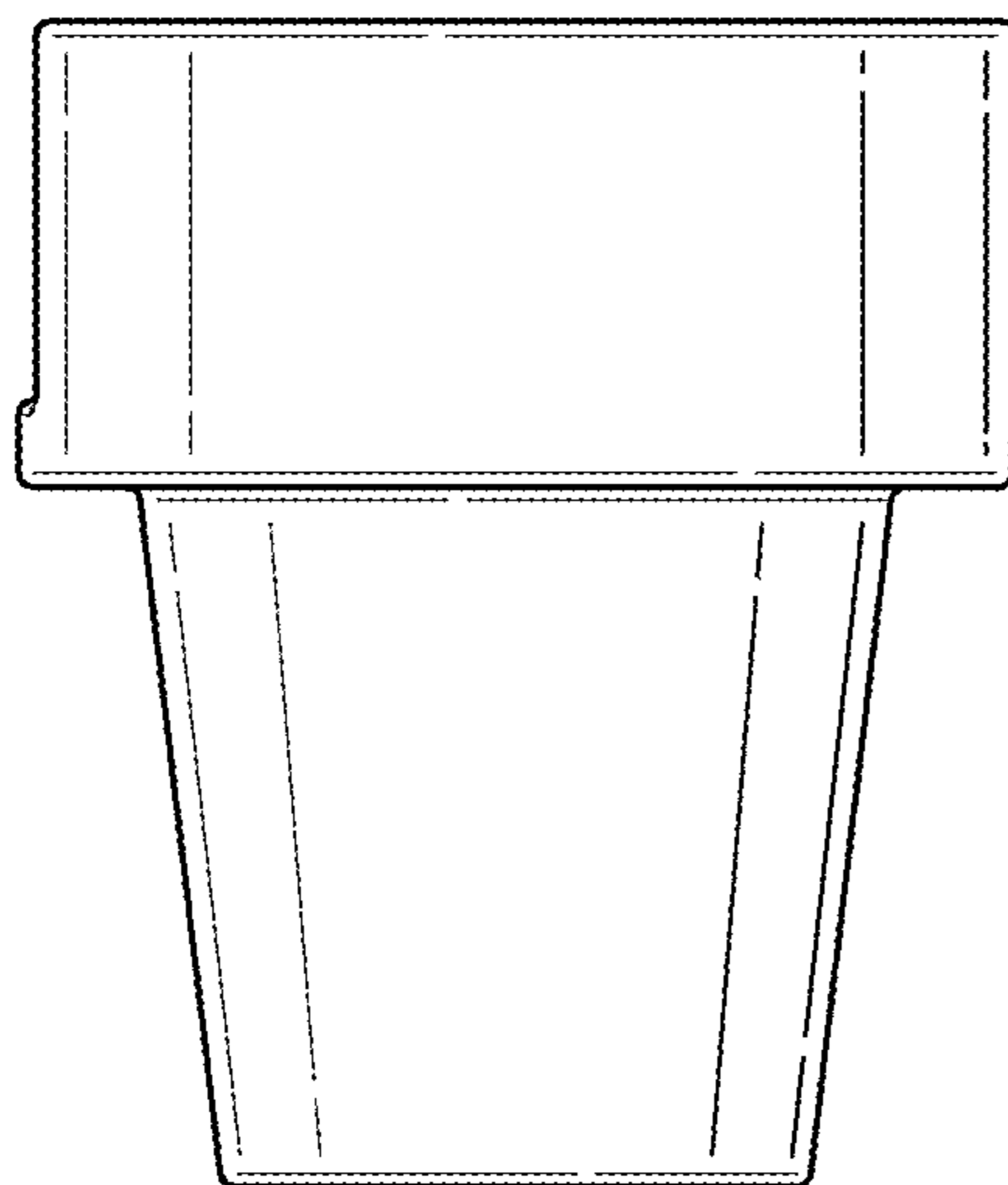


FIG. 7

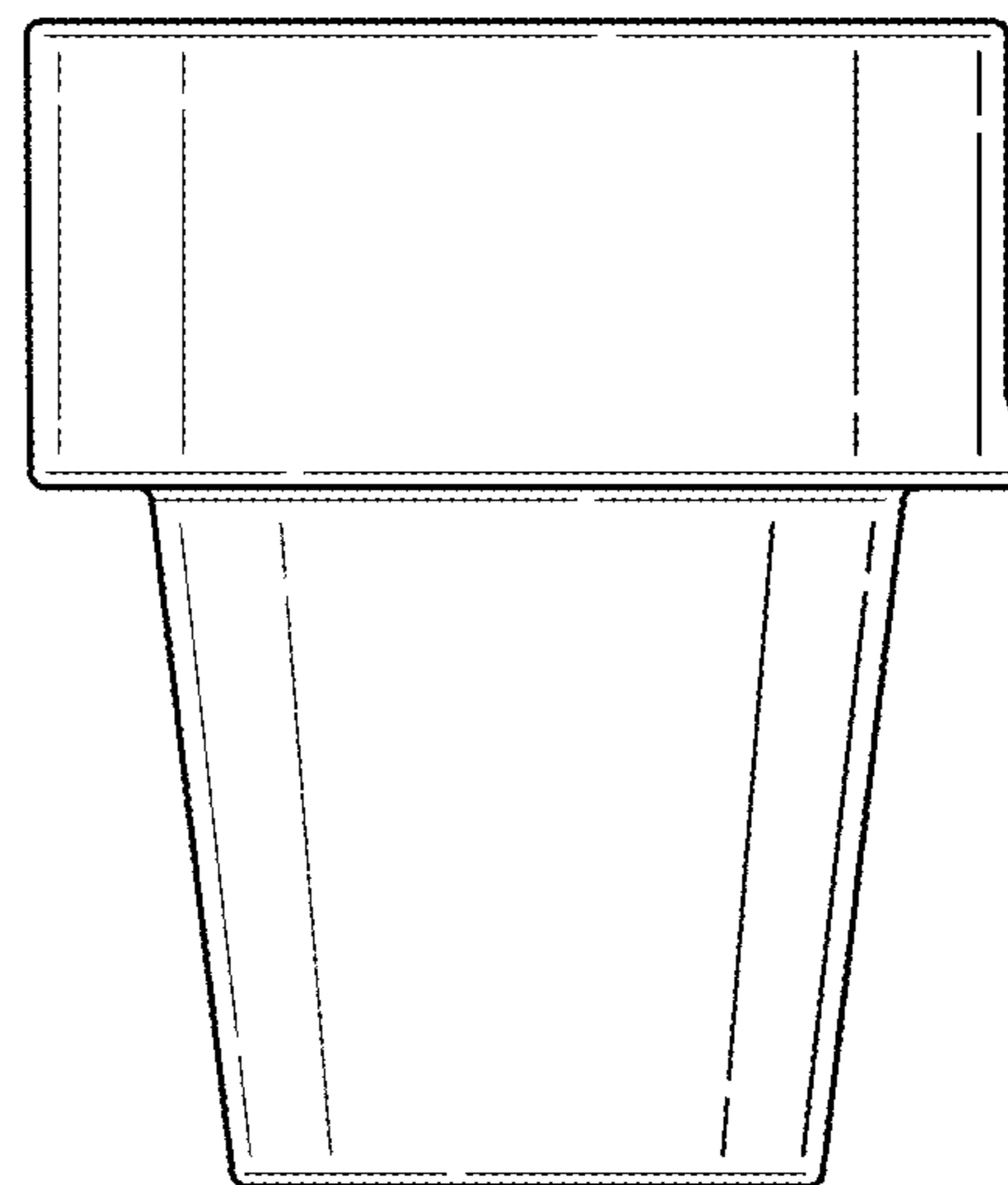


FIG. 8