



US00D798672S

(12) **United States Design Patent**
Lindloff

(10) **Patent No.:** **US D798,672 S**

(45) **Date of Patent:** **** Oct. 3, 2017**

(54) **DRINK HOLDER**

(71) Applicant: **Ciro, LLC**, Hudson, WI (US)

(72) Inventor: **Christopher Lindloff**, New Richmond, WI (US)

(73) Assignee: **Ciro, LLC**, Hudson, WI (US)

(**) Term: **15 Years**

(21) Appl. No.: **29/569,323**

(22) Filed: **Jun. 27, 2016**

(51) **LOC (10) Cl.** **07-06**

(52) **U.S. Cl.**
USPC **D7/620**

(58) **Field of Classification Search**
USPC D7/619.1-625; D9/444, 455; D12/411
CPC B65D 81/3879; B65D 81/3876; B65D
81/3881; B65D 81/3883; B65D 81/3886;
A47G 23/0241

See application file for complete search history.

(56) **References Cited**

U.S. PATENT DOCUMENTS

D401,121 S * 11/1998 Hartmann D7/620
D423,884 S * 5/2000 Greenwood D7/620

D429,968 S * 8/2000 Frankel D7/608
D447,012 S * 8/2001 Owens D7/620
D449,814 S * 10/2001 Guertin D12/411
D461,996 S * 8/2002 Liao D7/620
D623,118 S 9/2010 Lindloff
D755,575 S * 5/2016 Pratt D7/620

* cited by examiner

Primary Examiner — Terry Wallace

(74) *Attorney, Agent, or Firm* — Dicke, Billig & Czaja, PLLC

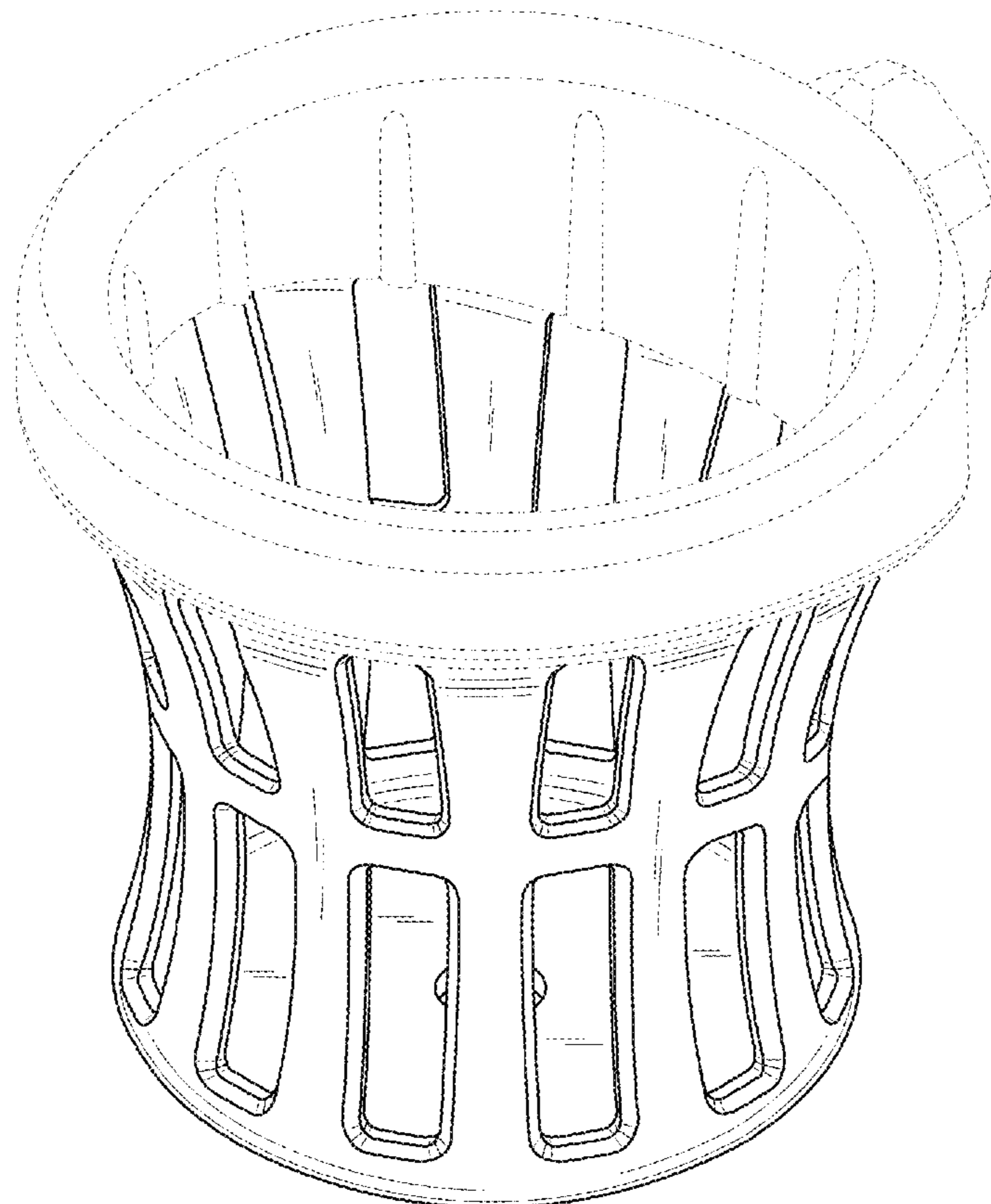
(57) **CLAIM**

The ornamental design for a drink holder, as shown and described.

DESCRIPTION

FIG. 1 is a perspective view of the drink holder.
FIG. 2 is a front elevation view thereof.
FIG. 3 is a rear elevation view thereof.
FIG. 4 is a top side view thereof.
FIG. 5 is a bottom side view thereof; and,
FIG. 6 is a right side view thereof, the left side view being a mirror image of the right side view.
The drink holder mount, and the drink holder support frame and related surface portions shown in broken lines form no part of the claimed design.

1 Claim, 6 Drawing Sheets



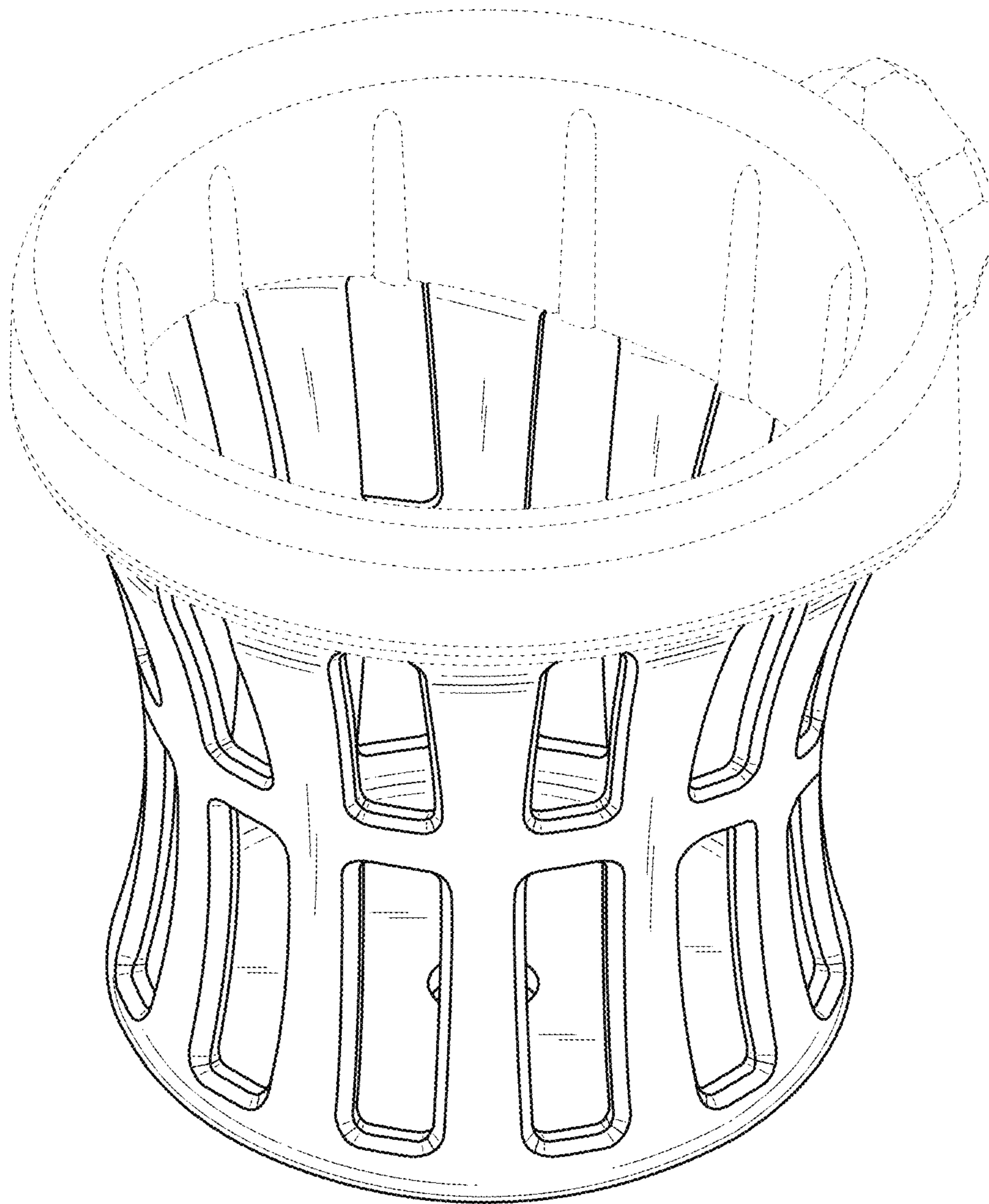


Fig. 1

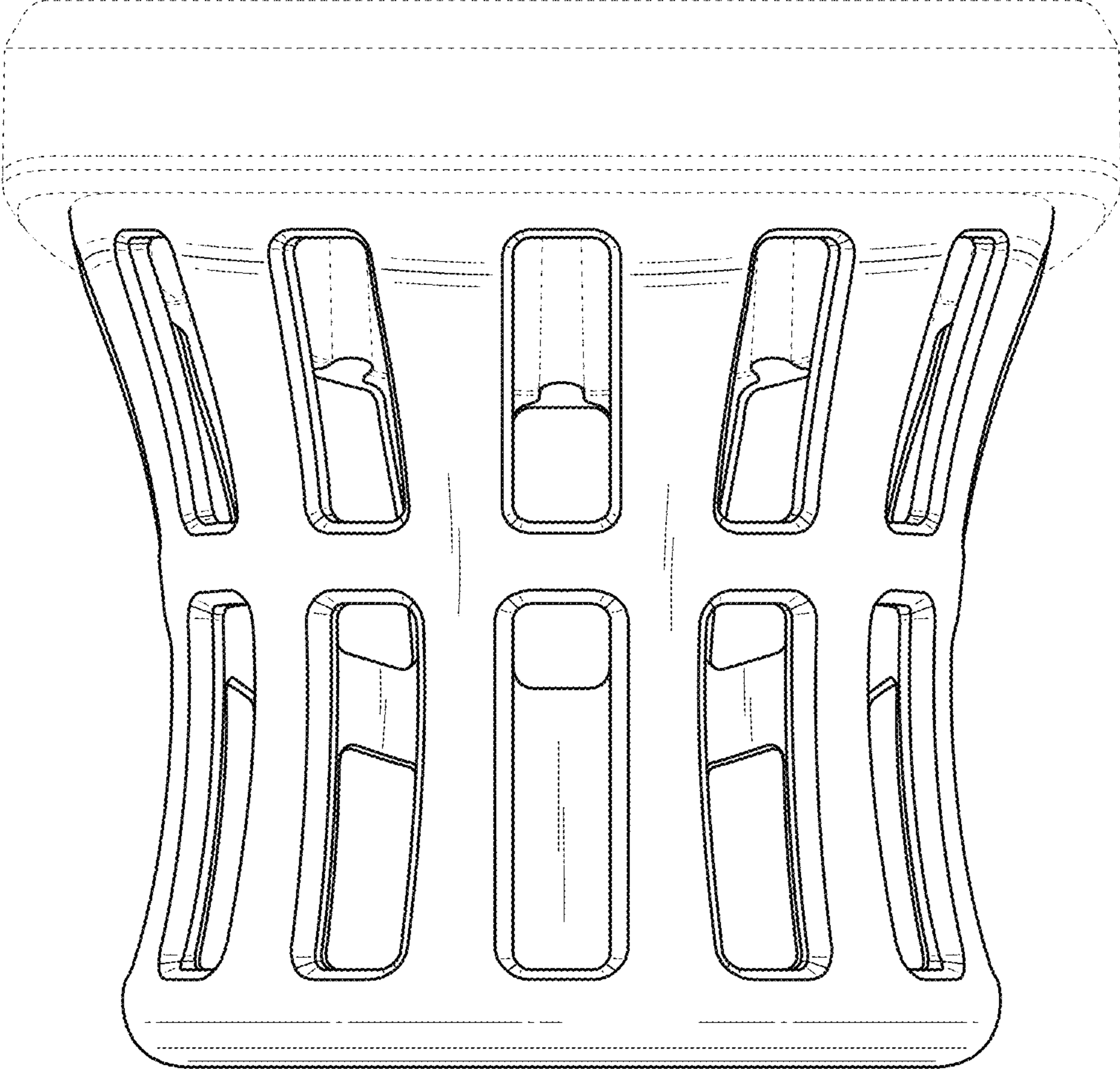


Fig. 2

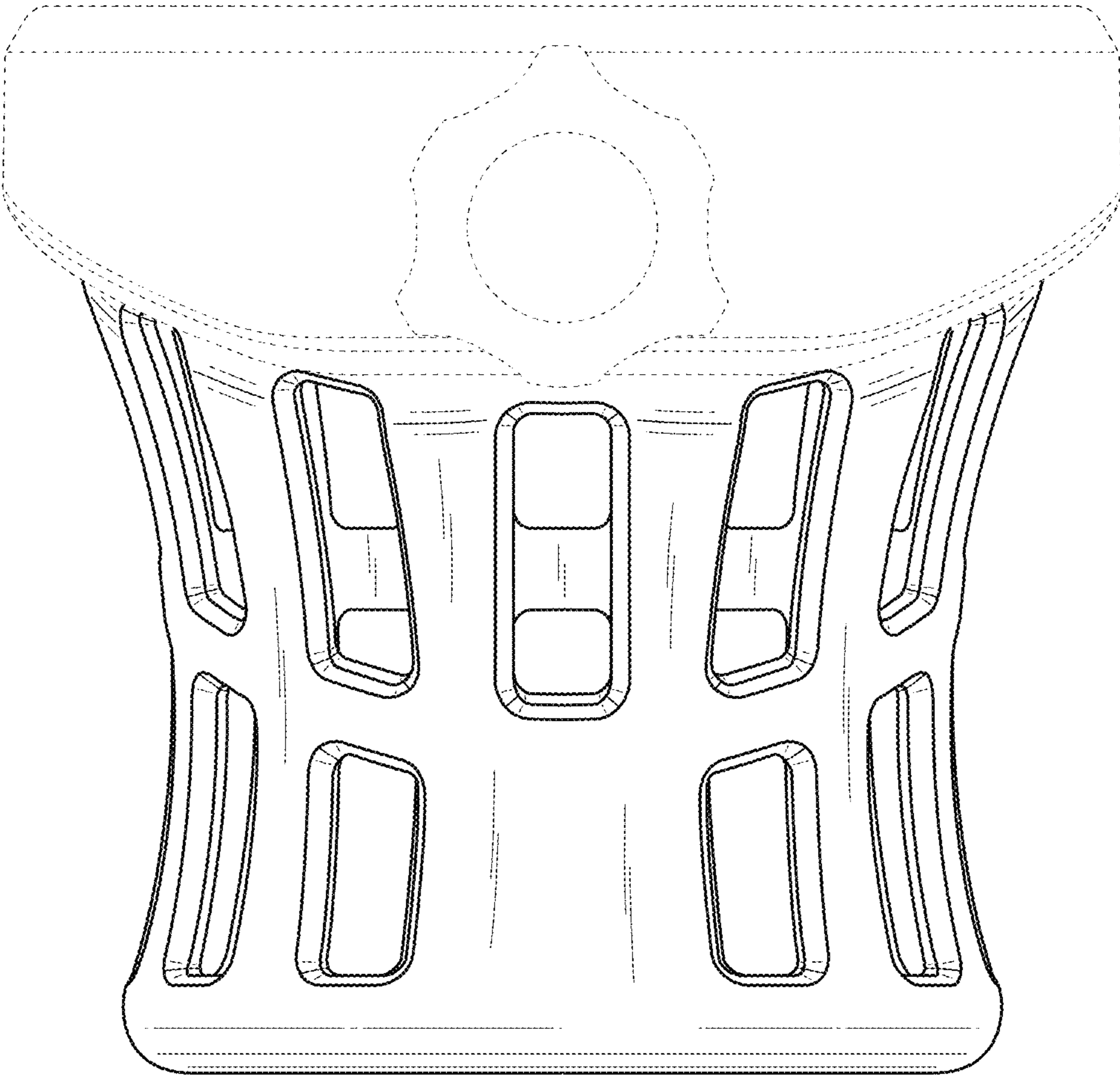


Fig. 3

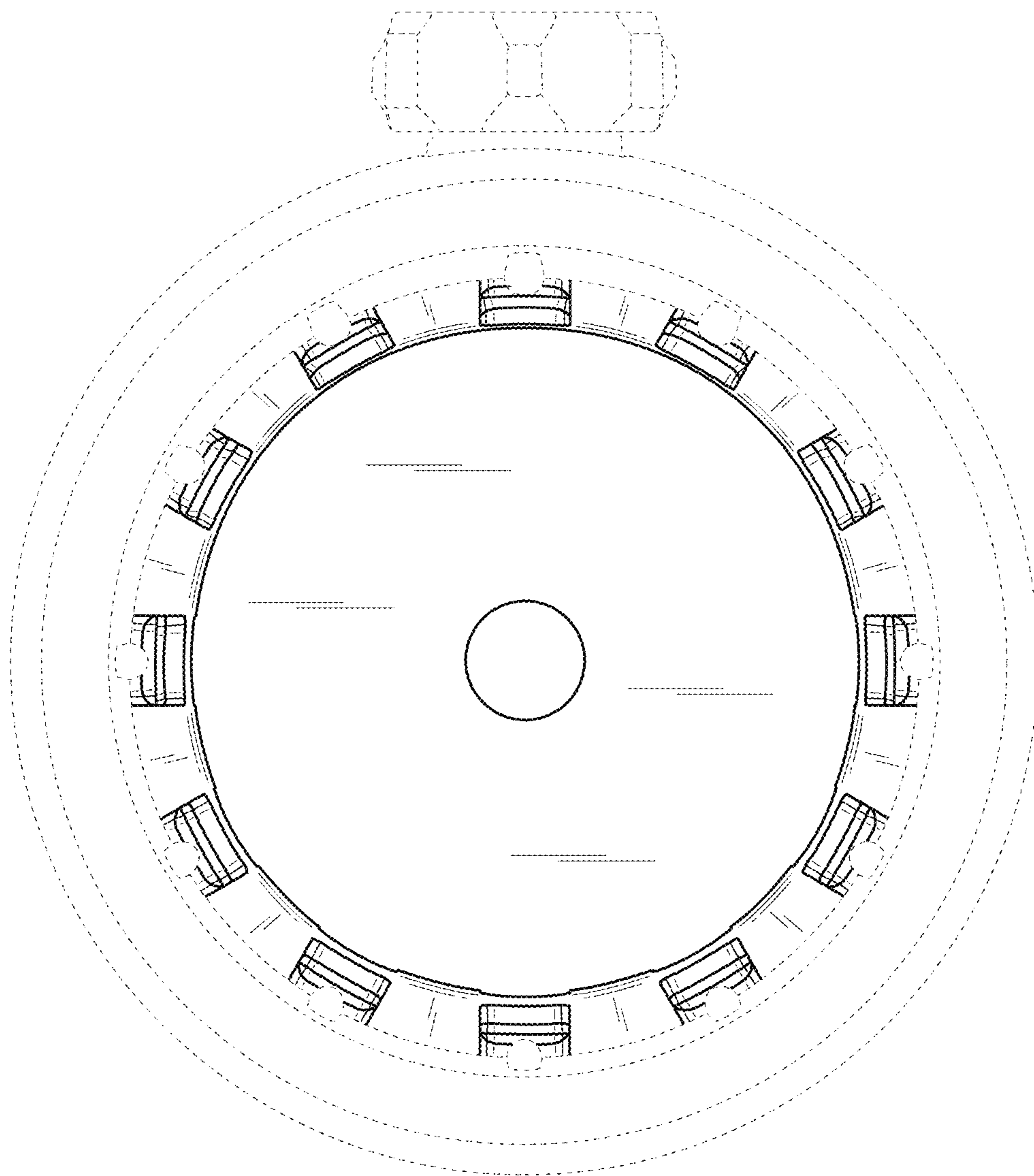


Fig. 4

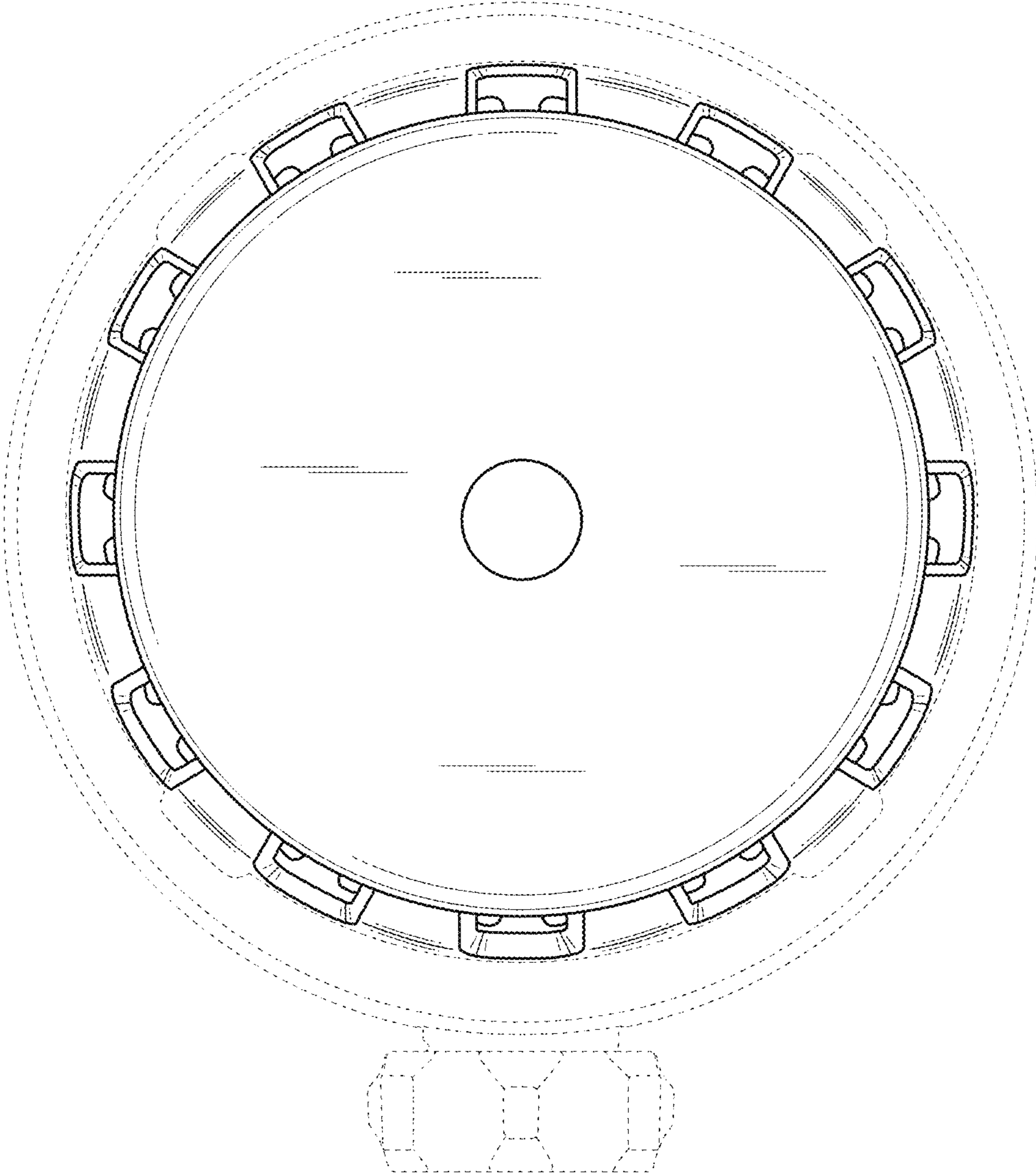


Fig. 5

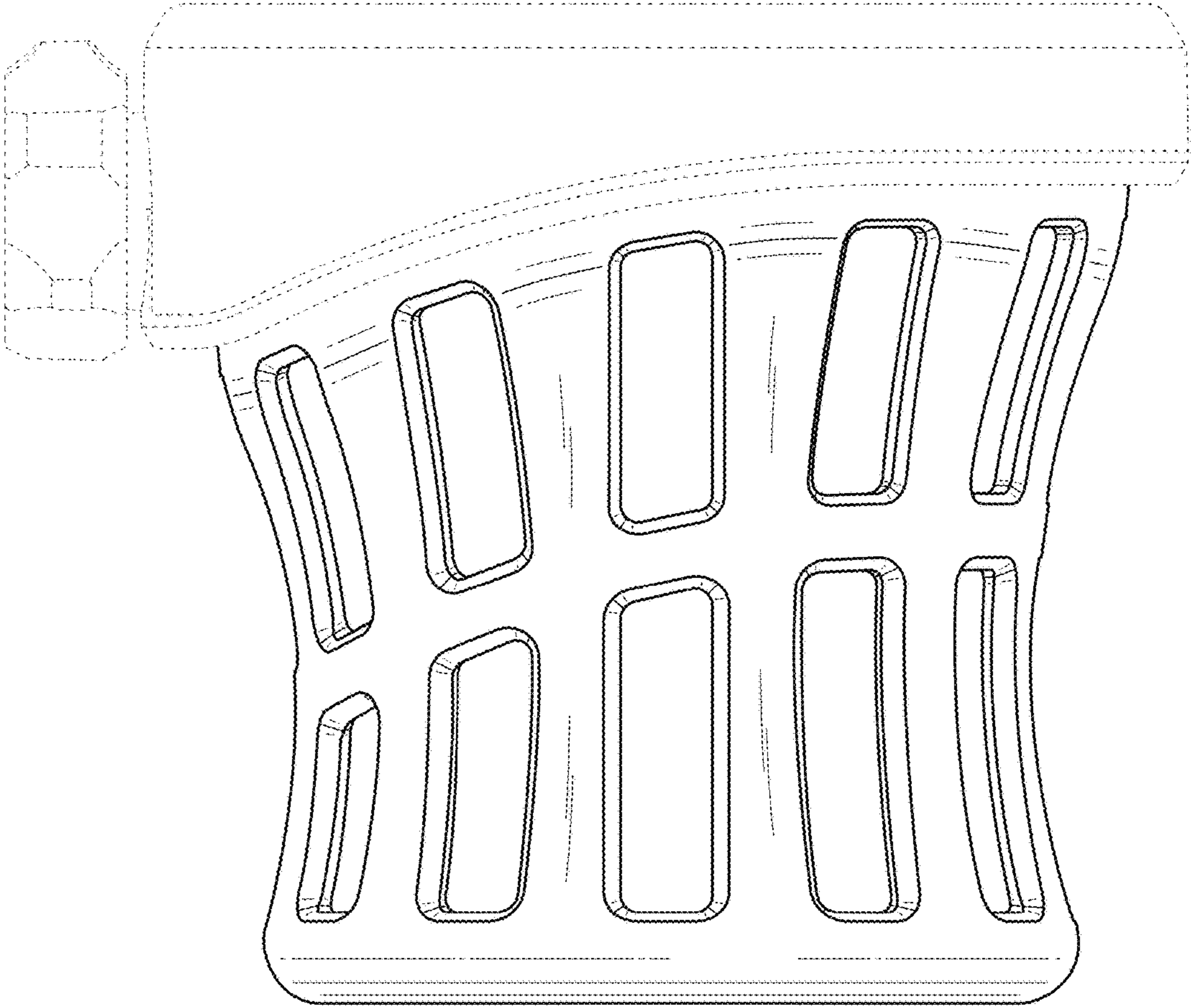


Fig. 6