

US00D798671S

(12) **United States Design Patent** (10) **Patent No.:** **US D798,671 S**
Laitta (45) **Date of Patent:** **** Oct. 3, 2017**

(54) **YOGURT CONTAINER COOLER**

(71) Applicant: **Jennifer Lee Laitta**, St Simons Island, GA (US)

(72) Inventor: **Jennifer Lee Laitta**, St Simons Island, GA (US)

(**) Term: **15 Years**

(21) Appl. No.: **29/557,511**

(22) Filed: **Mar. 9, 2016**

(51) **LOC (10) Cl.** **07-01**

(52) **U.S. Cl.**
USPC **D7/607**

(58) **Field of Classification Search**
USPC D7/605-608; D6/610, 595, 608;
D3/273, 276, 289
CPC B65D 81/3834; B65D 81/3886; B65D
81/3823; B65D 33/12; B65D 33/02;
A45C 11/20

See application file for complete search history.

(56) **References Cited**

U.S. PATENT DOCUMENTS

2,610,757	A *	9/1952	Irvine	B65D 81/3886 220/495.03
2,954,891	A *	10/1960	Imber	B65D 81/3834 220/592.2
3,990,495	A *	11/1976	LaBarba	A47J 45/10 220/902
5,251,460	A *	10/1993	DeMarco	B65D 81/3886 220/592.19
D396,749	S *	8/1998	Ortiz	D3/284
D412,267	S *	7/1999	Anderson	D7/605
D429,448	S *	8/2000	Nottingham	D3/276
D436,805	S *	1/2001	Haskins	D7/607
D650,635	S *	12/2011	Luo	D7/587

* cited by examiner

Primary Examiner — Terry Wallace

(57) **CLAIM**

The ornamental design for a yogurt container cooler, as shown and described.

DESCRIPTION

FIG. 1 is a perspective view of a first embodiment of a yogurt container cooler in a closed configuration showing my design;

FIG. 2 is a front elevation view thereof;

FIG. 3 is a rear elevation view thereof;

FIG. 4 is a left side elevation view thereof;

FIG. 5 is a right side elevation view thereof;

FIG. 6 is a top plan view thereof;

FIG. 7 is a bottom plan view thereof; and

FIG. 8 is a perspective view of a second embodiment of a yogurt container cooler in a closed configuration showing my design;

FIG. 9 is a front elevation view thereof;

FIG. 10 is a rear elevation view thereof;

FIG. 11 is a left side elevation view thereof;

FIG. 12 is a right side elevation view thereof;

FIG. 13 is a top plan view thereof;

FIG. 14 is a bottom plan view thereof; and,

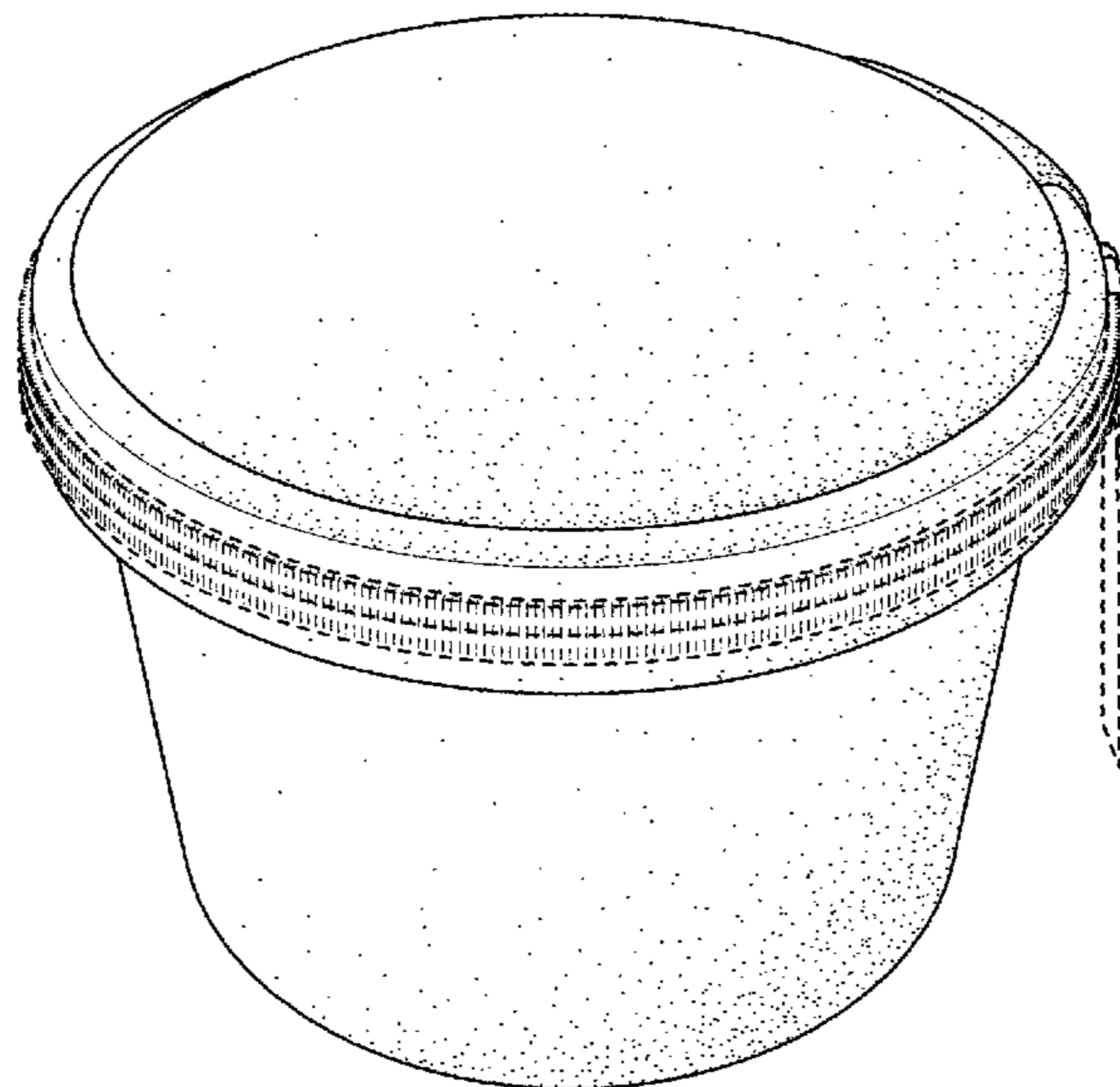
FIG. 15 is a perspective view thereof in an opened configuration.

The broken lines shown in the figures are included for the purpose of illustration and form no part of the claimed design. In addition to other features, the zipper closure illustrated in the first and second embodiments for the yogurt container cooler is illustrated in broken lines and forms no part of the claimed design.

The surfaces of the yogurt container cooler in FIGS. 8-15 are shown with stippling to represent that the yogurt container cooler is a soft flexible material (e.g., neoprene).

The yogurt container cooler illustrated in the first and second embodiments is designed to thermally insulate individual yogurt containers.

1 Claim, 15 Drawing Sheets



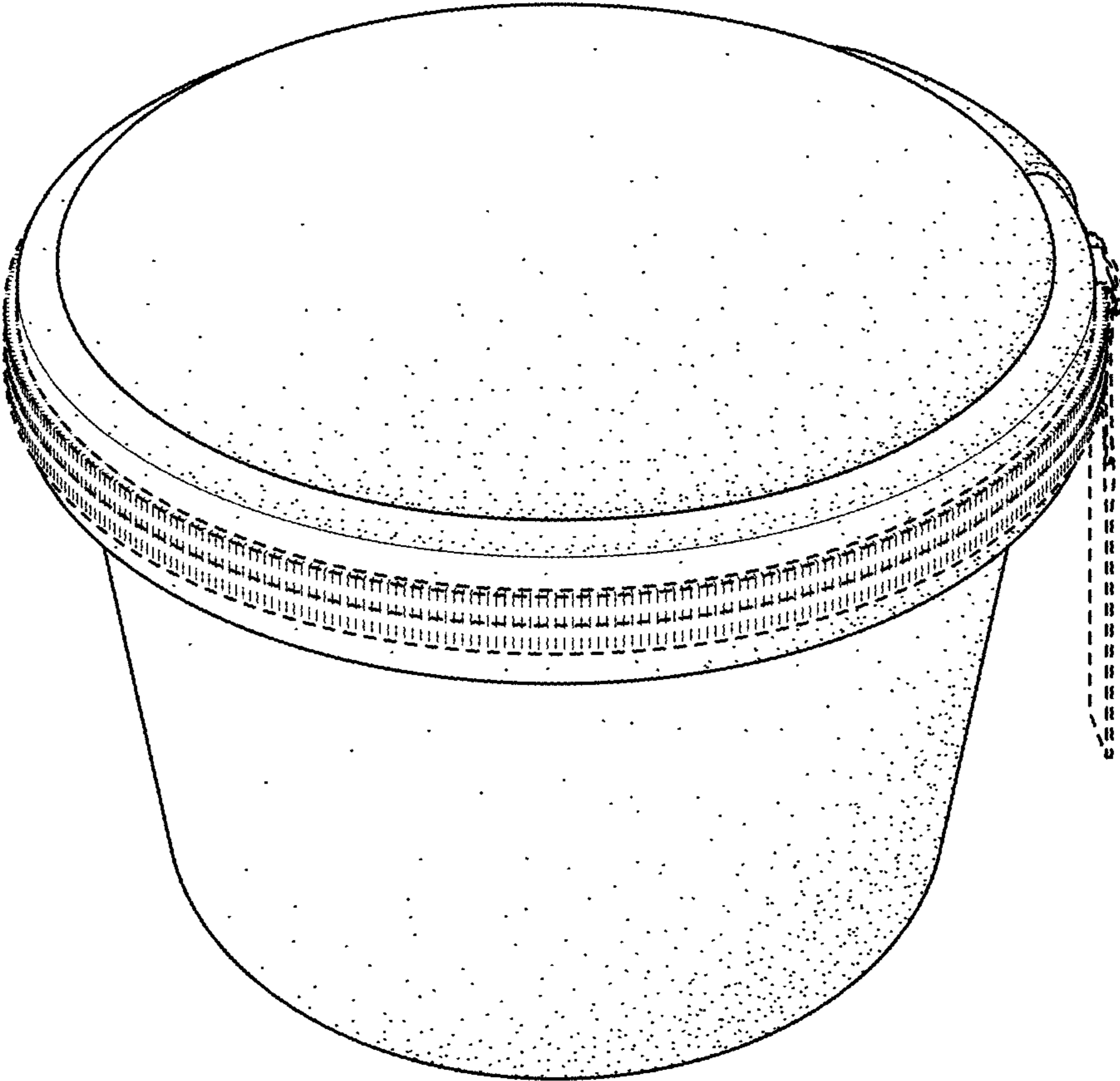


FIG. 1

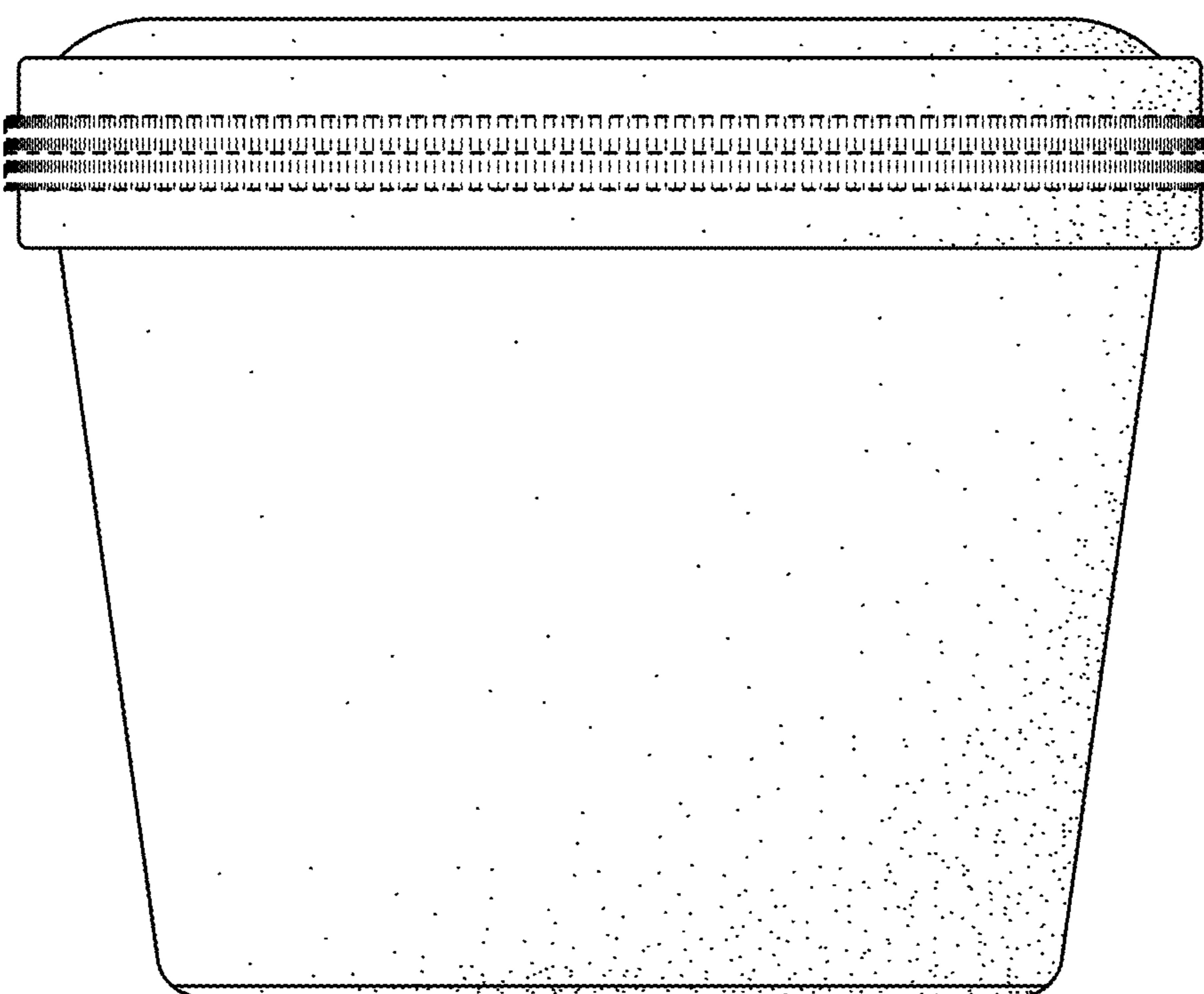


FIG. 2

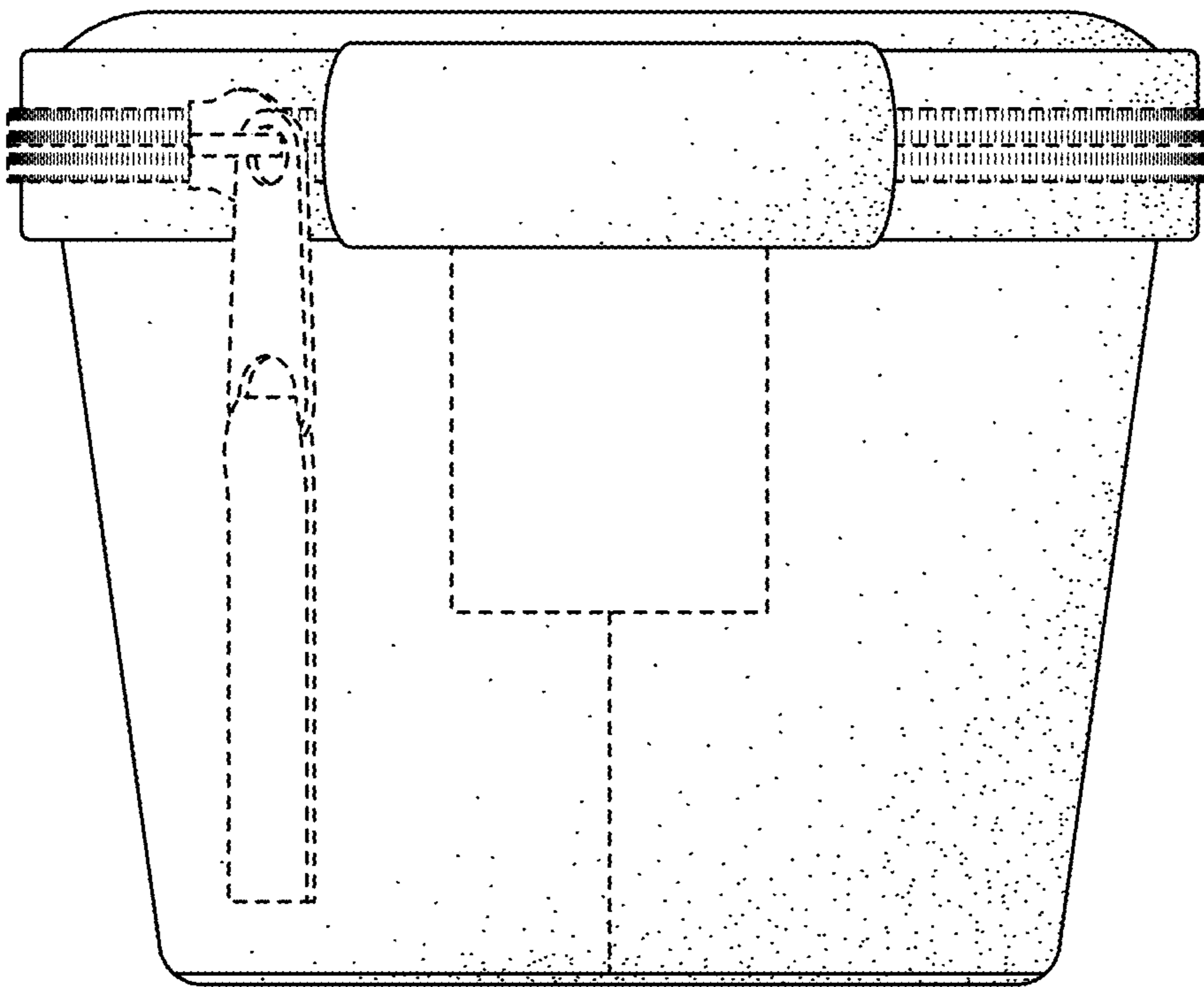


FIG. 3

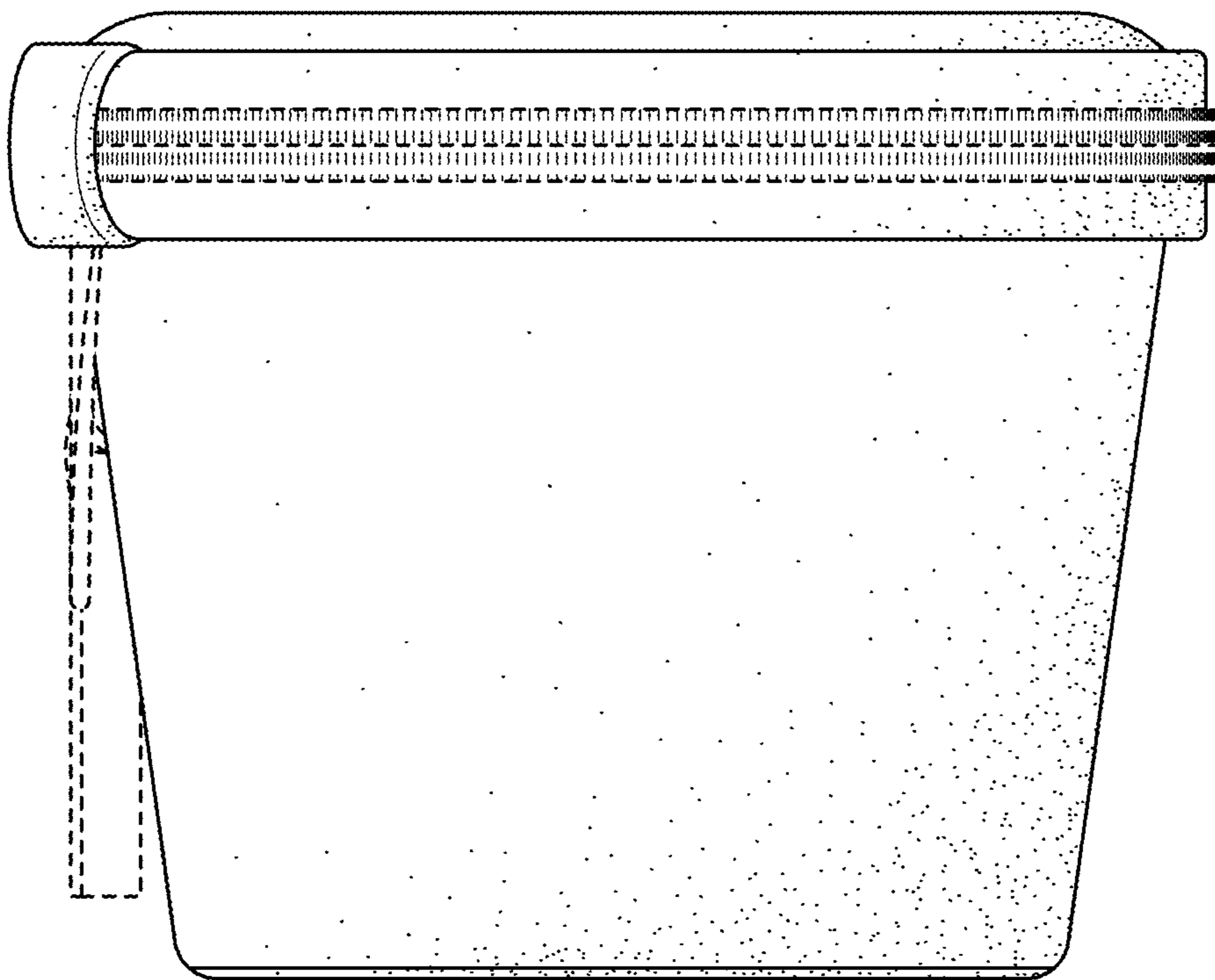


FIG. 4

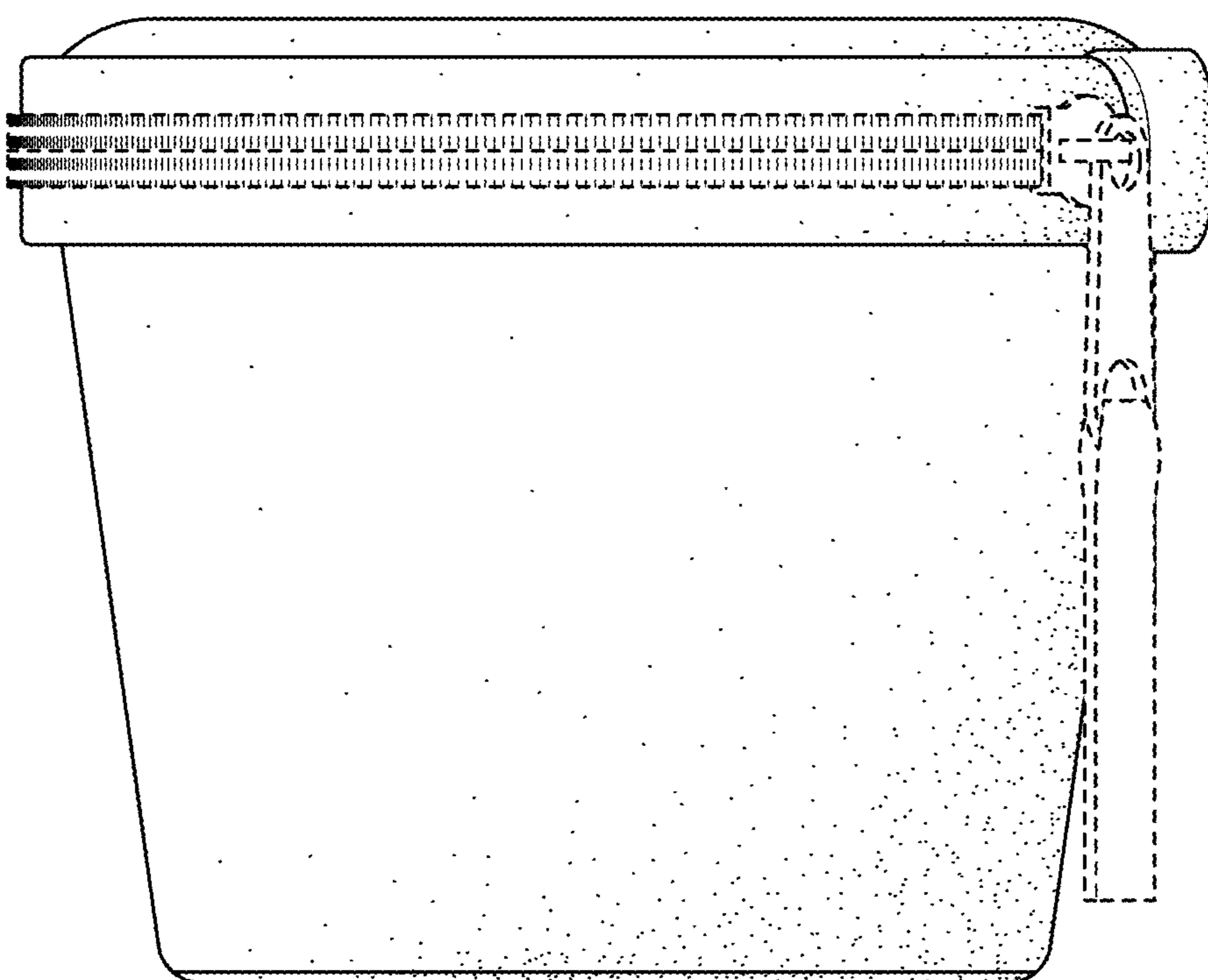


FIG. 5

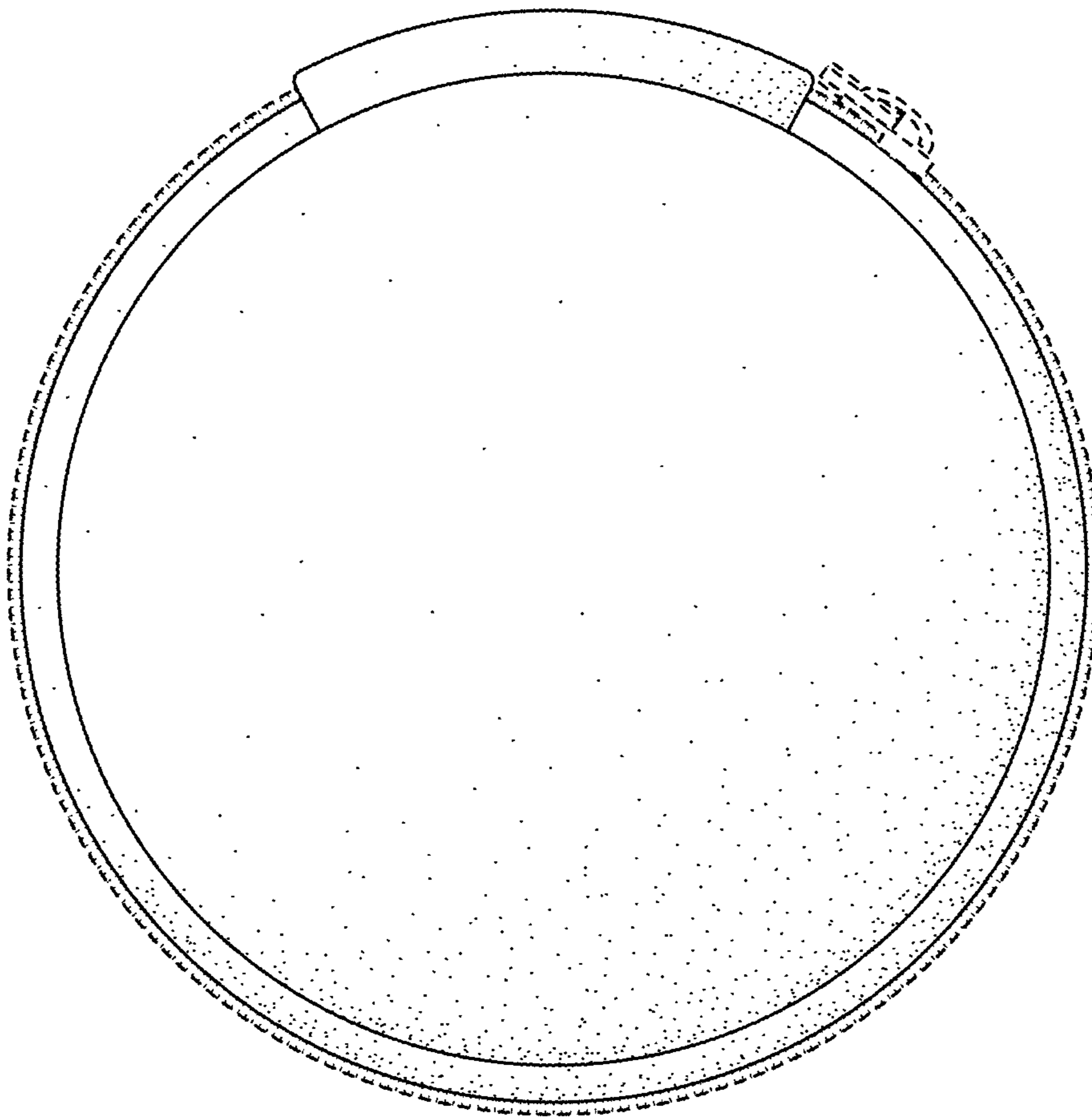


FIG. 6

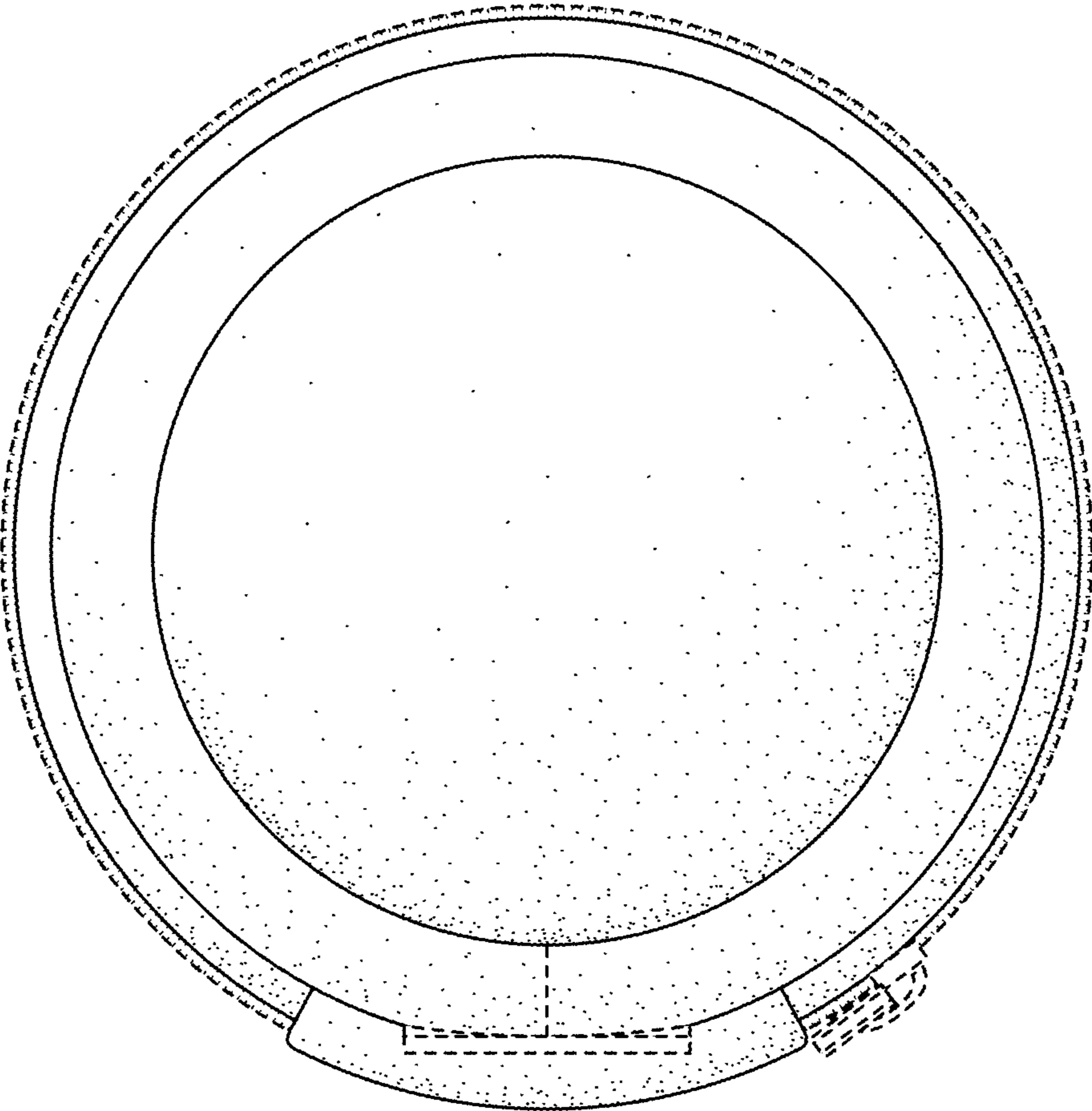


FIG. 7

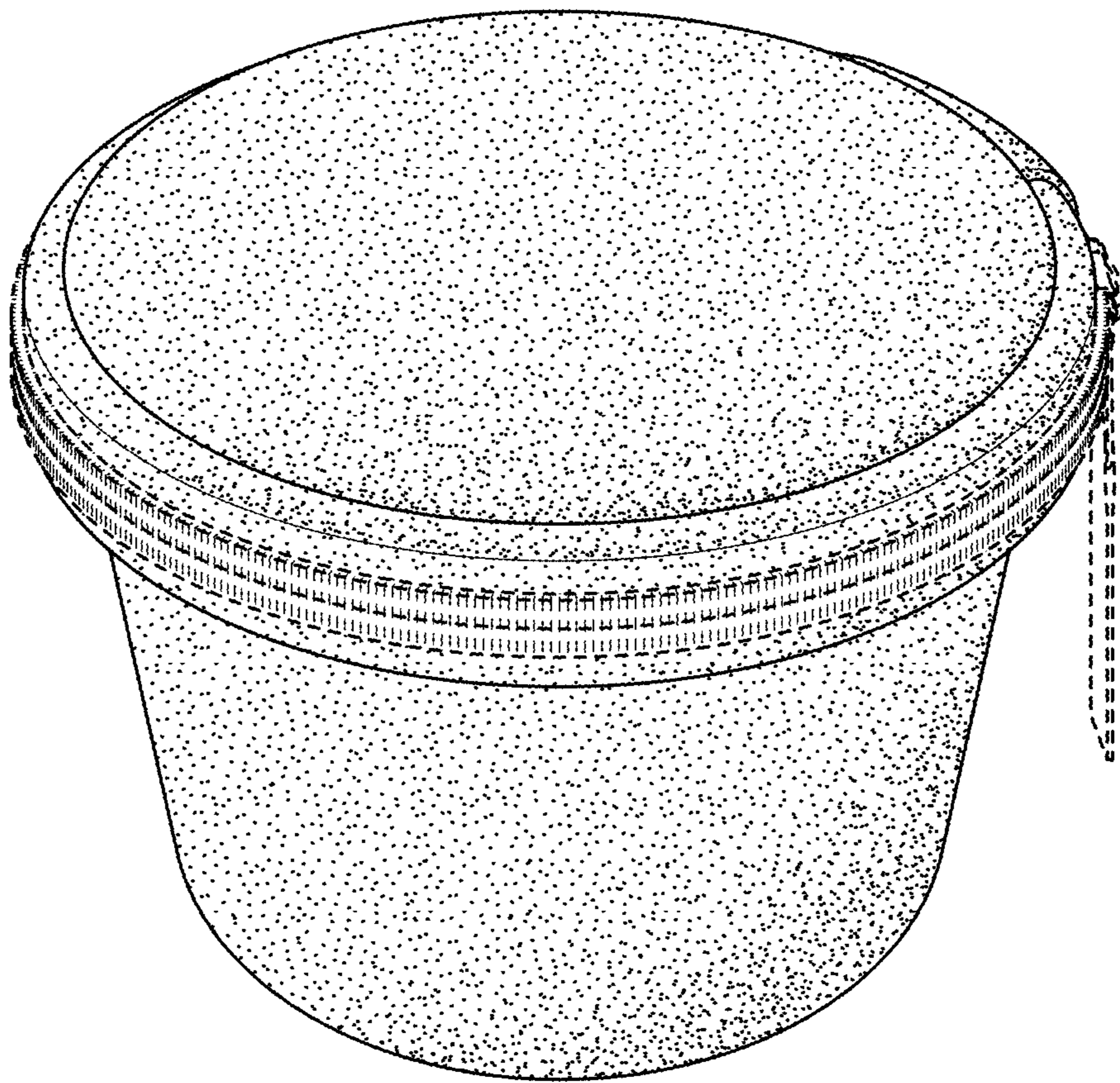


FIG. 8

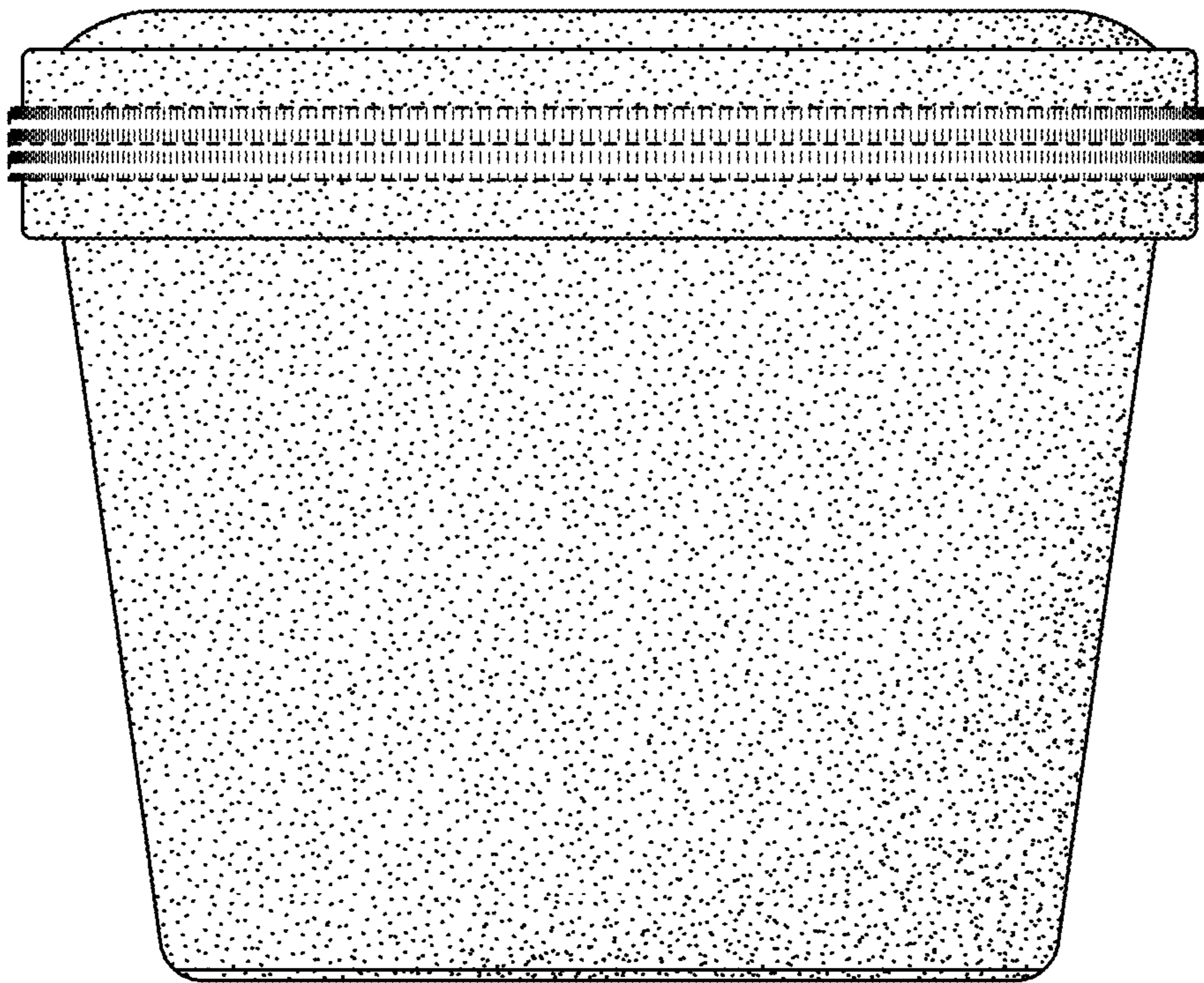


FIG. 9

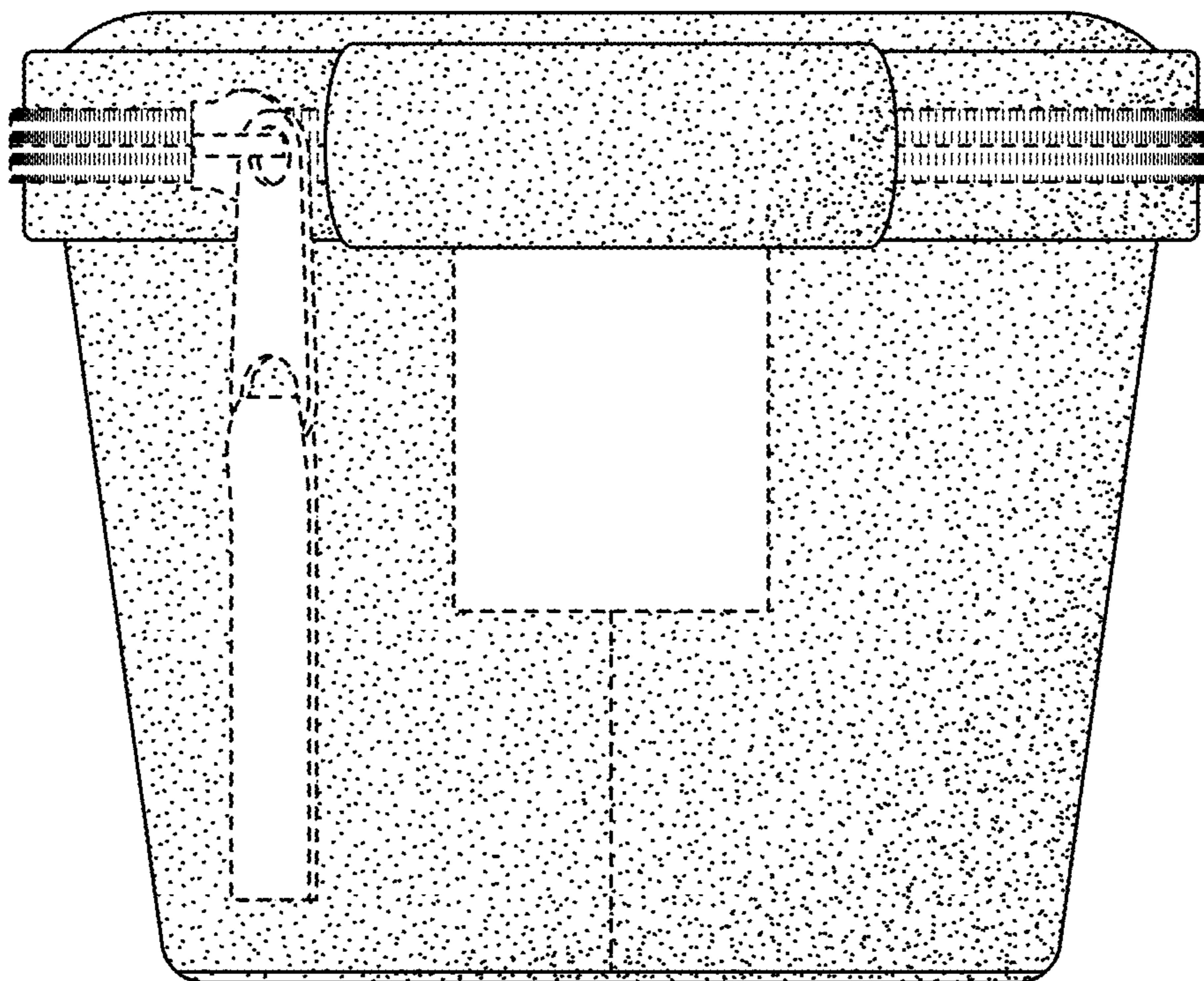


FIG. 10

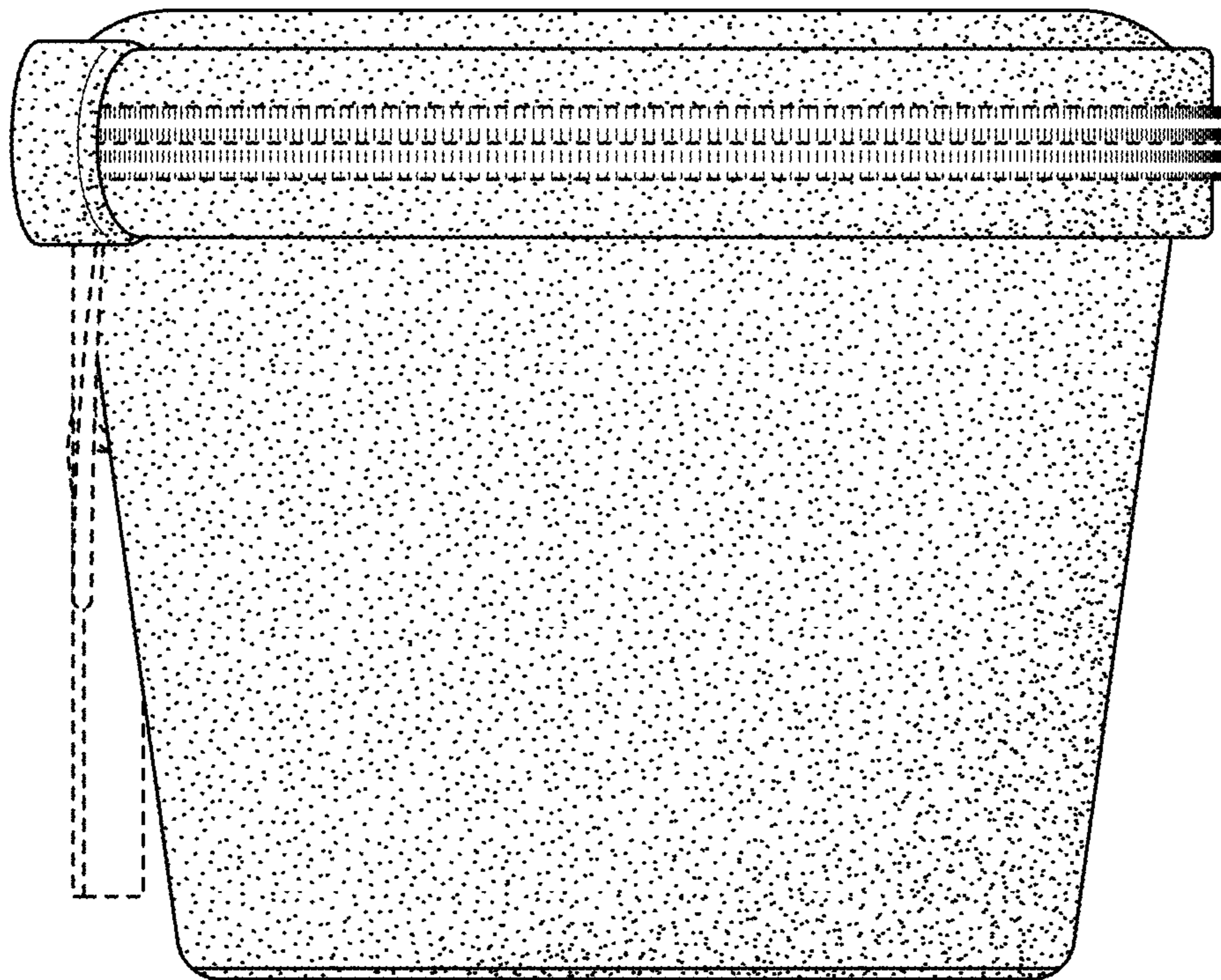


FIG. 11

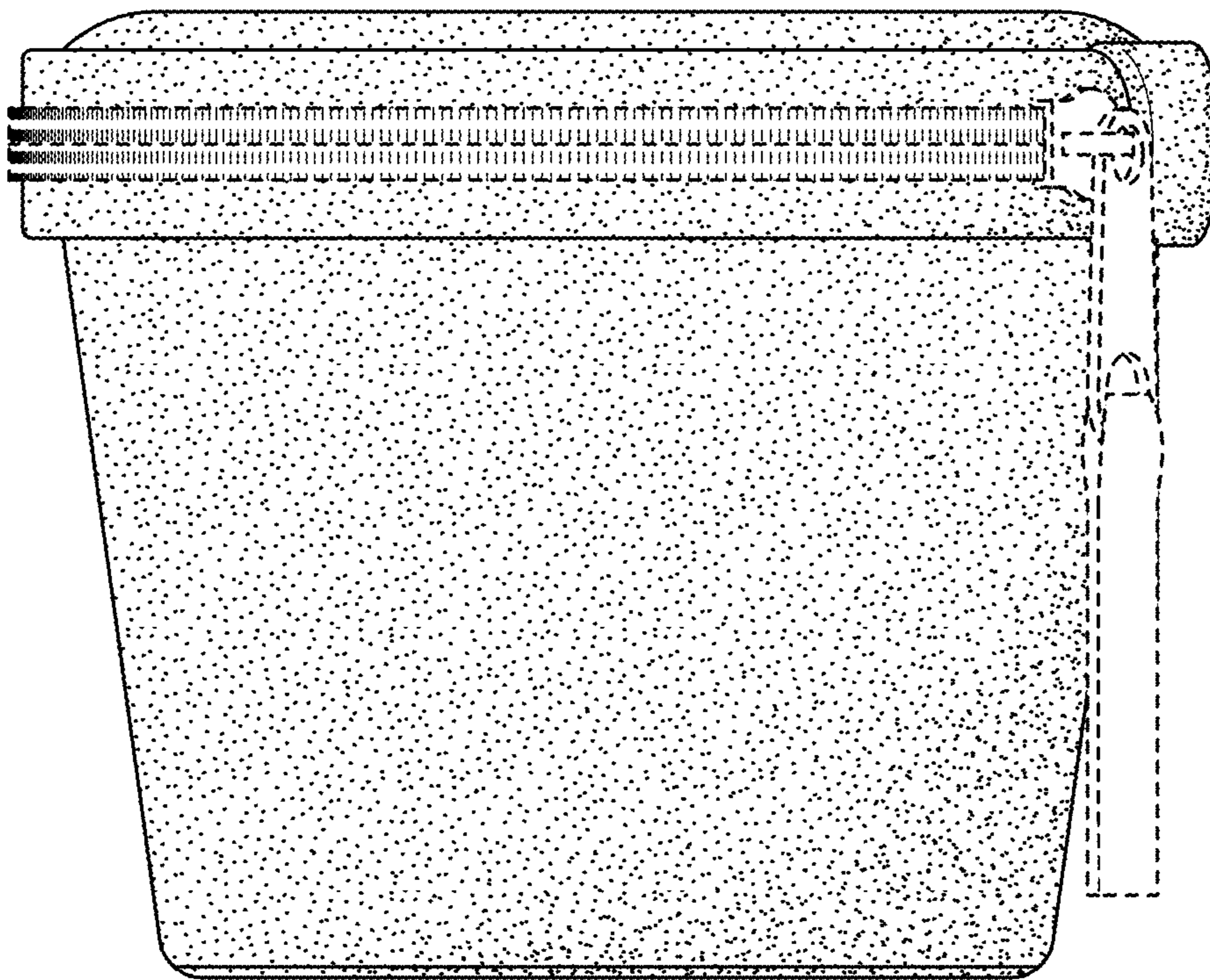


FIG. 12

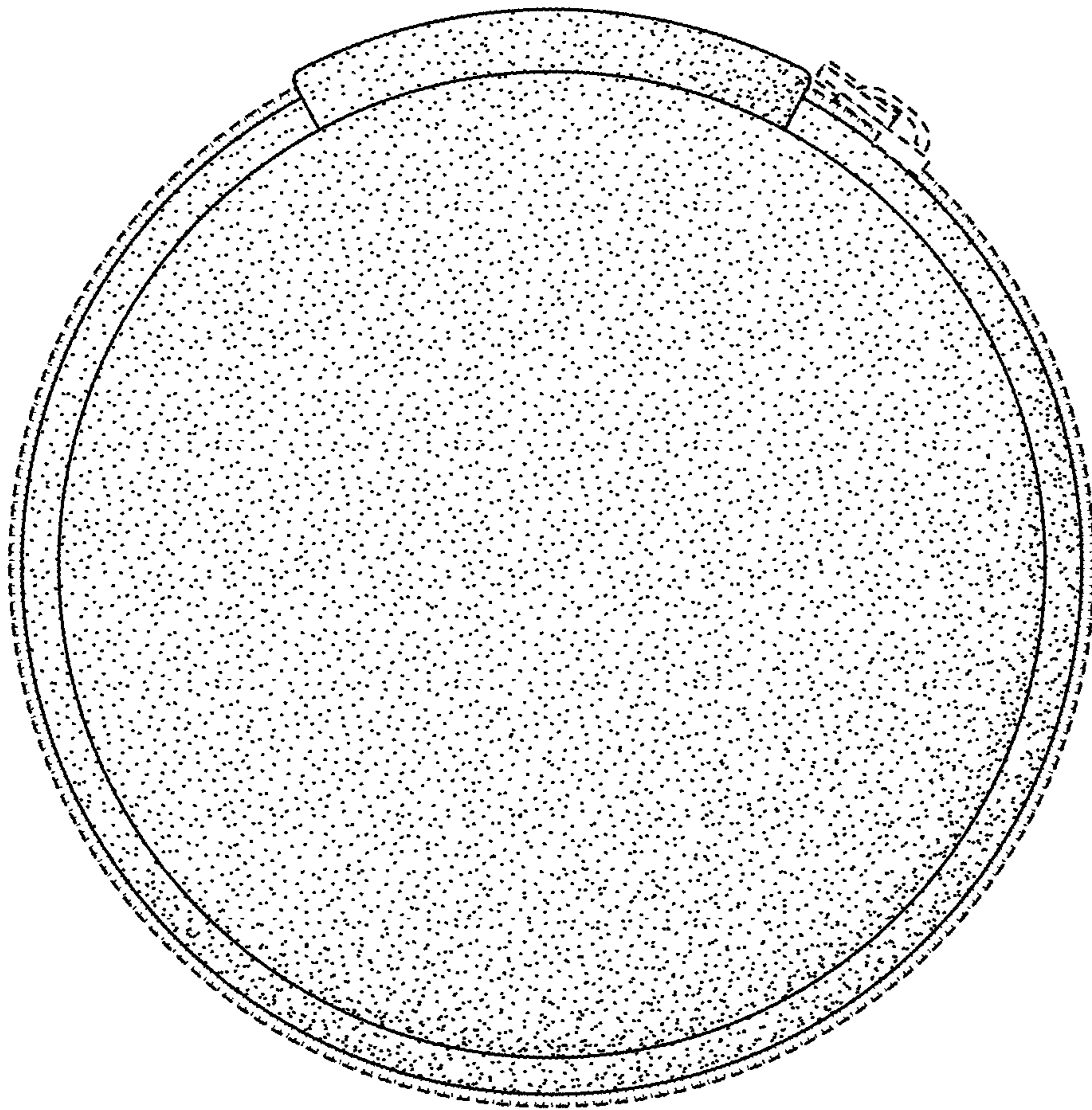


FIG. 13

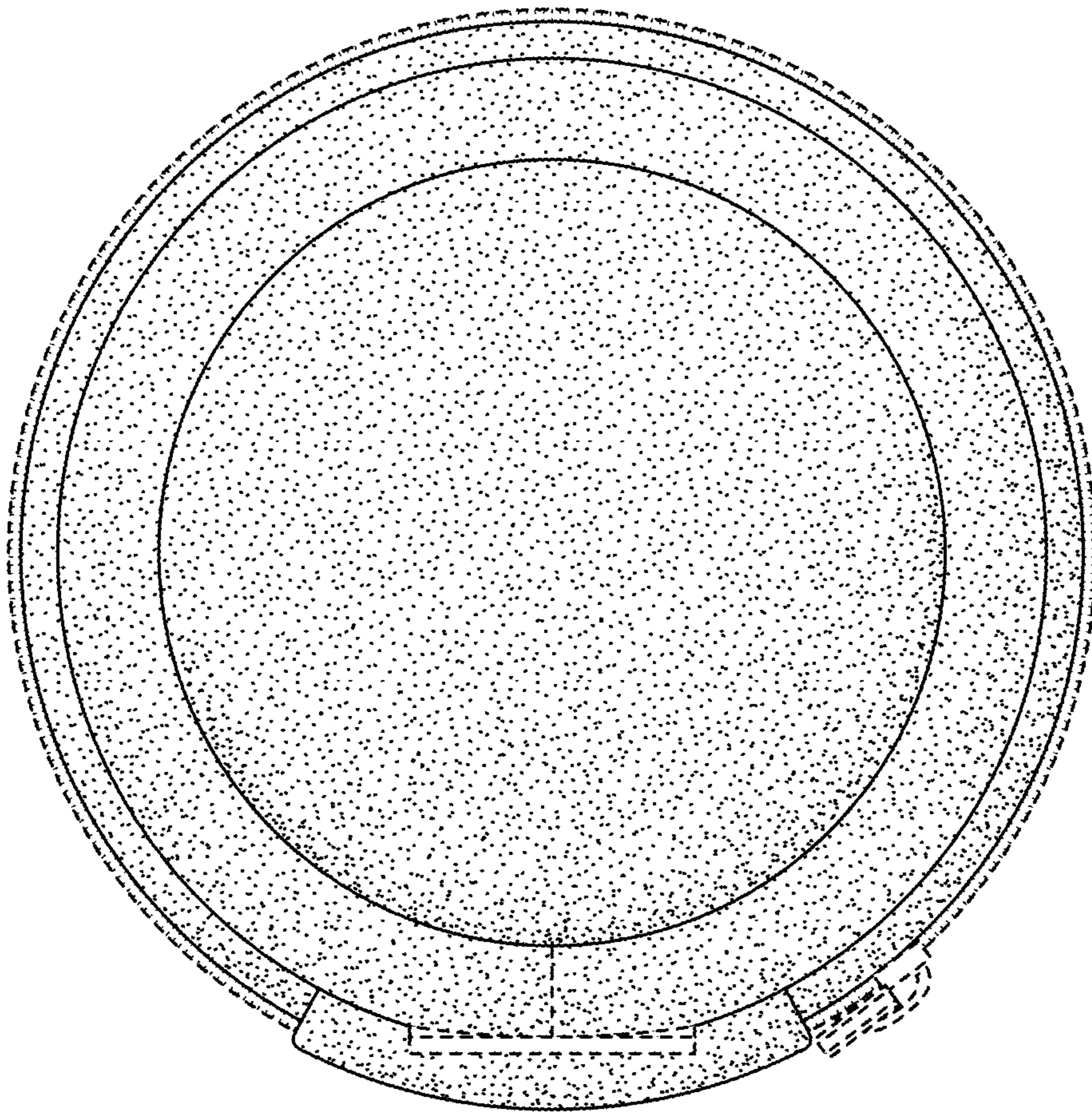


FIG. 14

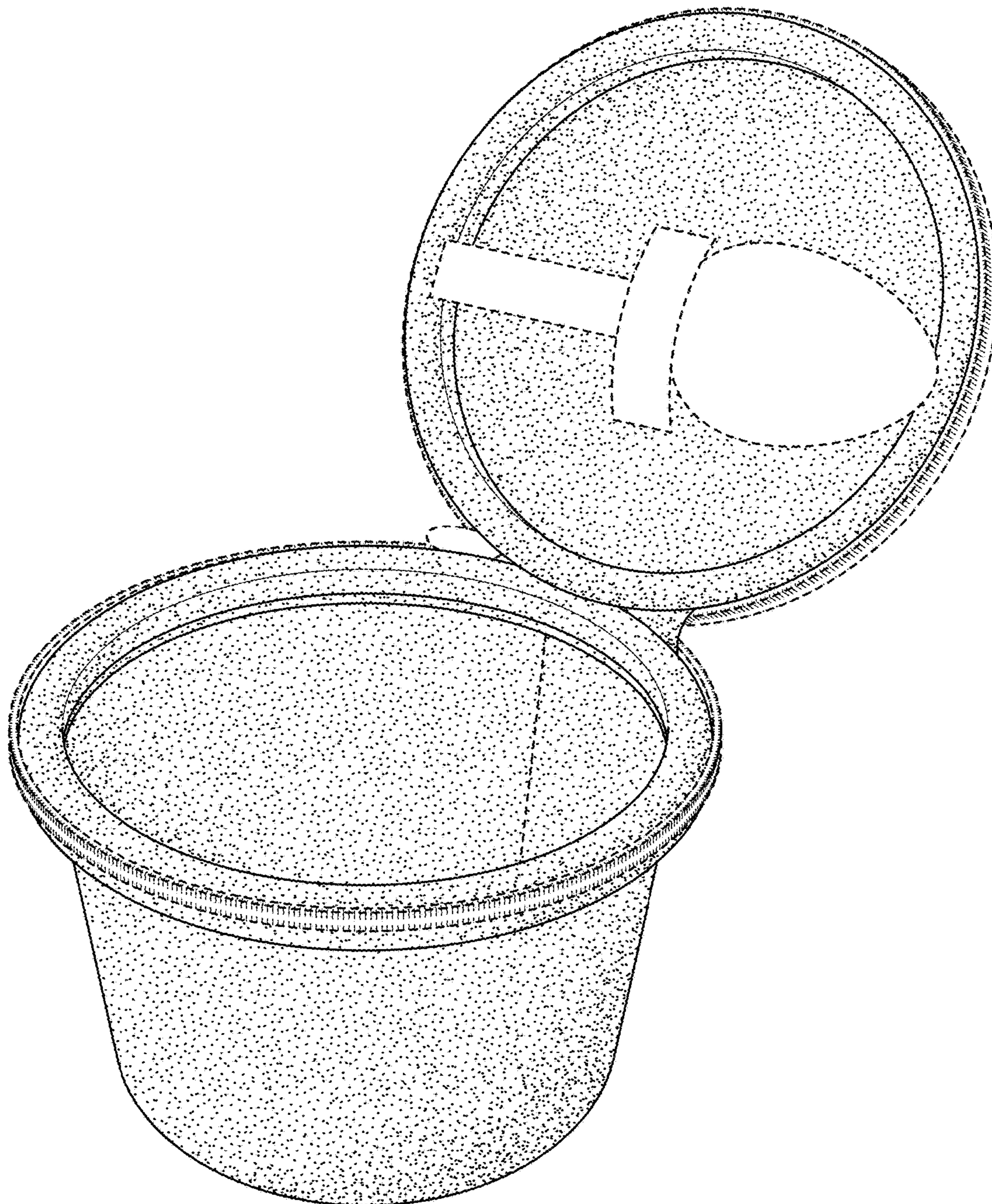


FIG. 15