

US00D798669S

(12) **United States Design Patent** (10) **Patent No.:** **US D798,669 S**
Lee (45) **Date of Patent:** **** Oct. 3, 2017**

(54) **COOLER**

(71) Applicant: **JBL INTERNATIONAL, INC.**,
Houston, TX (US)

(72) Inventor: **Lawrence K. Lee**, Houston, TX (US)

(73) Assignee: **JBL INTERNATIONAL, INC.**,
Houston, TX (US)

(**) Term: **15 Years**

(21) Appl. No.: **29/557,487**

(22) Filed: **Mar. 9, 2016**

(51) **LOC (10) Cl.** **07-01**

(52) **U.S. Cl.**
USPC **D7/605**

(58) **Field of Classification Search**
USPC D7/605-608; D3/272, 273, 274; D34/1,
D34/39
CPC ... A45C 11/20; F25D 3/08; F25D 3/14; F25D
2331/804; B65D 81/3823
See application file for complete search history.

(56) **References Cited**

U.S. PATENT DOCUMENTS

- 5,373,708 A * 12/1994 Dumoulin, Jr. A45C 5/146
280/30
- D375,022 S * 10/1996 Smith D7/605
- D393,943 S * 5/1998 Franklin D3/273
- D396,779 S * 8/1998 Moffett, III D7/605
- D407,237 S * 3/1999 Stangl D6/667
- D419,066 S * 1/2000 Lentini D12/414.1

- D460,259 S * 7/2002 Oelfke D3/273
- D587,972 S * 3/2009 Dorisca D7/605
- D611,252 S * 3/2010 Fiscus D3/272
- D630,015 S * 1/2011 Weng D12/414.1
- D699,080 S * 2/2014 Lee D7/605
- 2003/0102322 A1* 6/2003 Jones B65D 7/22
220/836

* cited by examiner

Primary Examiner — Terry Wallace

(74) *Attorney, Agent, or Firm* — Egbert Law Offices,
PLLC

(57) **CLAIM**

The ornamental design for a cooler, as shown and described.

DESCRIPTION

FIG. 1 is a perspective view of a cooler showing my new design.

FIG. 2 is a front view thereof;

FIG. 3 is a rear view thereof;

FIG. 4 is a side view thereof;

FIG. 5 is an opposite side view thereof;

FIG. 6 is a top view thereof;

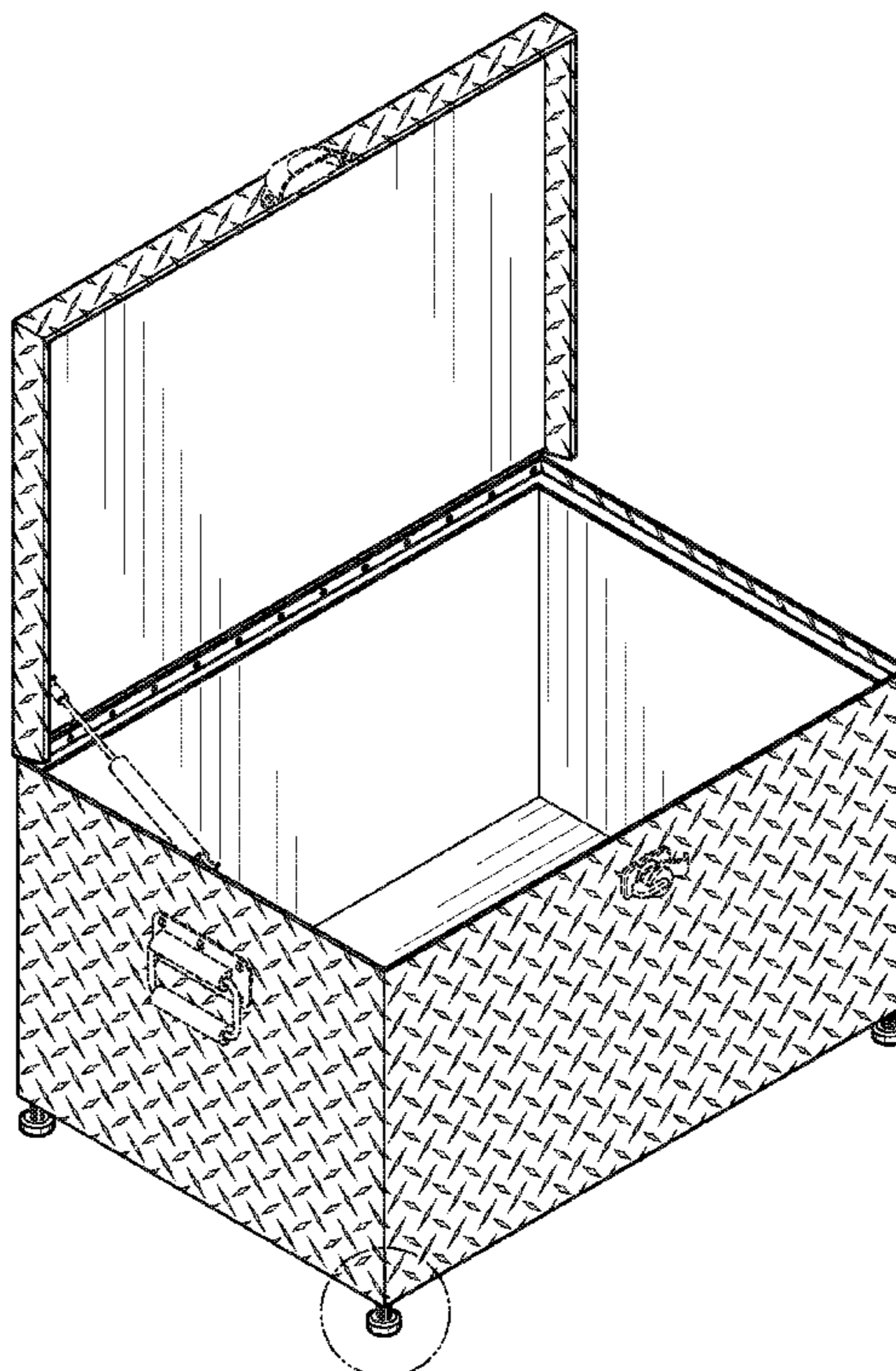
FIG. 7 is a bottom view thereof;

FIG. 8 is a perspective view thereof with the lid in an open position; and,

FIG. 9 is an isolated view of the foot of the cooler, shown separately for clarity of illustration.

The features presented in broken lines, including the threaded foot of the cooler, are for environmental purposes only and form no part of the claimed design.

1 Claim, 3 Drawing Sheets



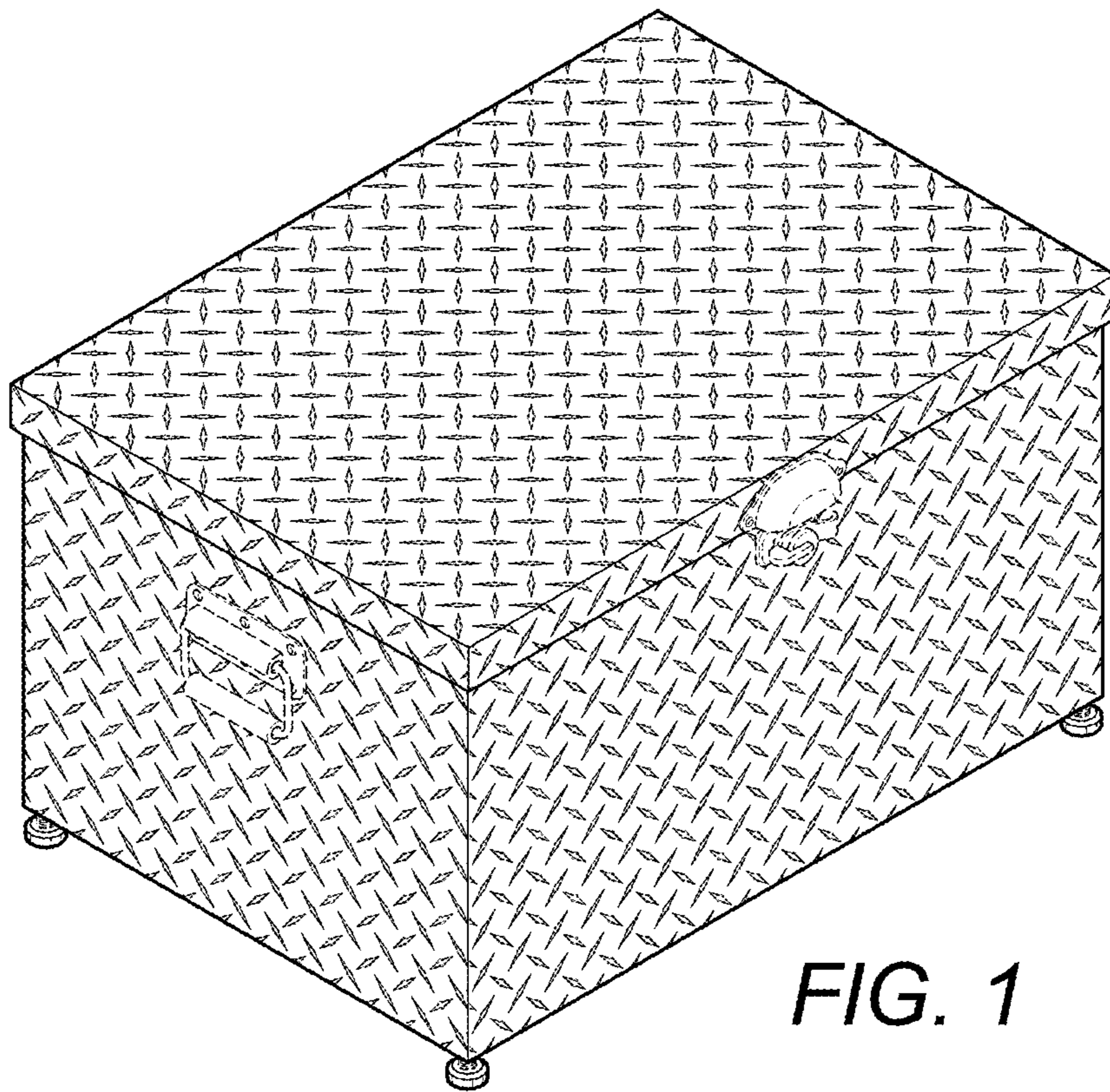


FIG. 1

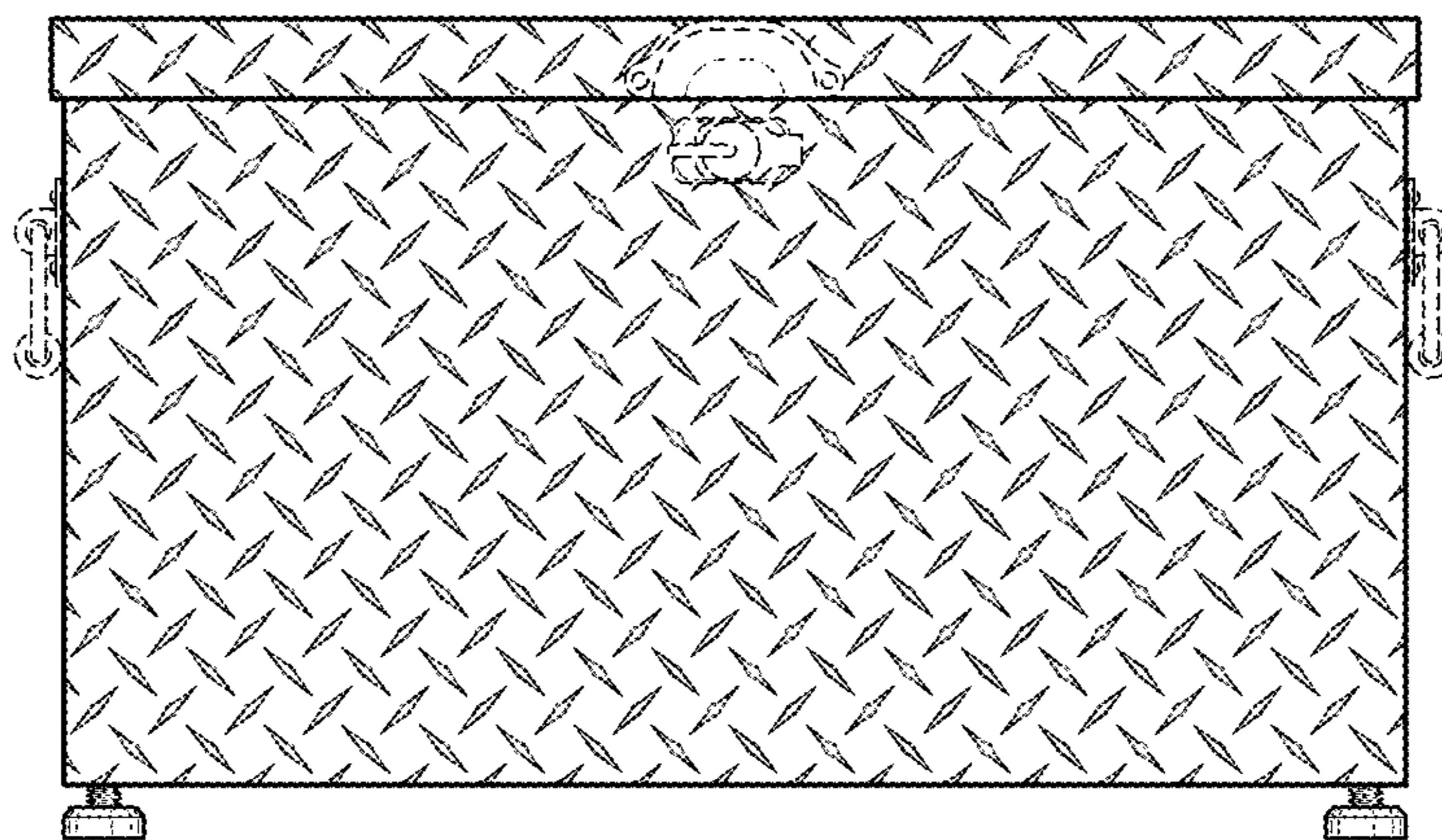


FIG. 2

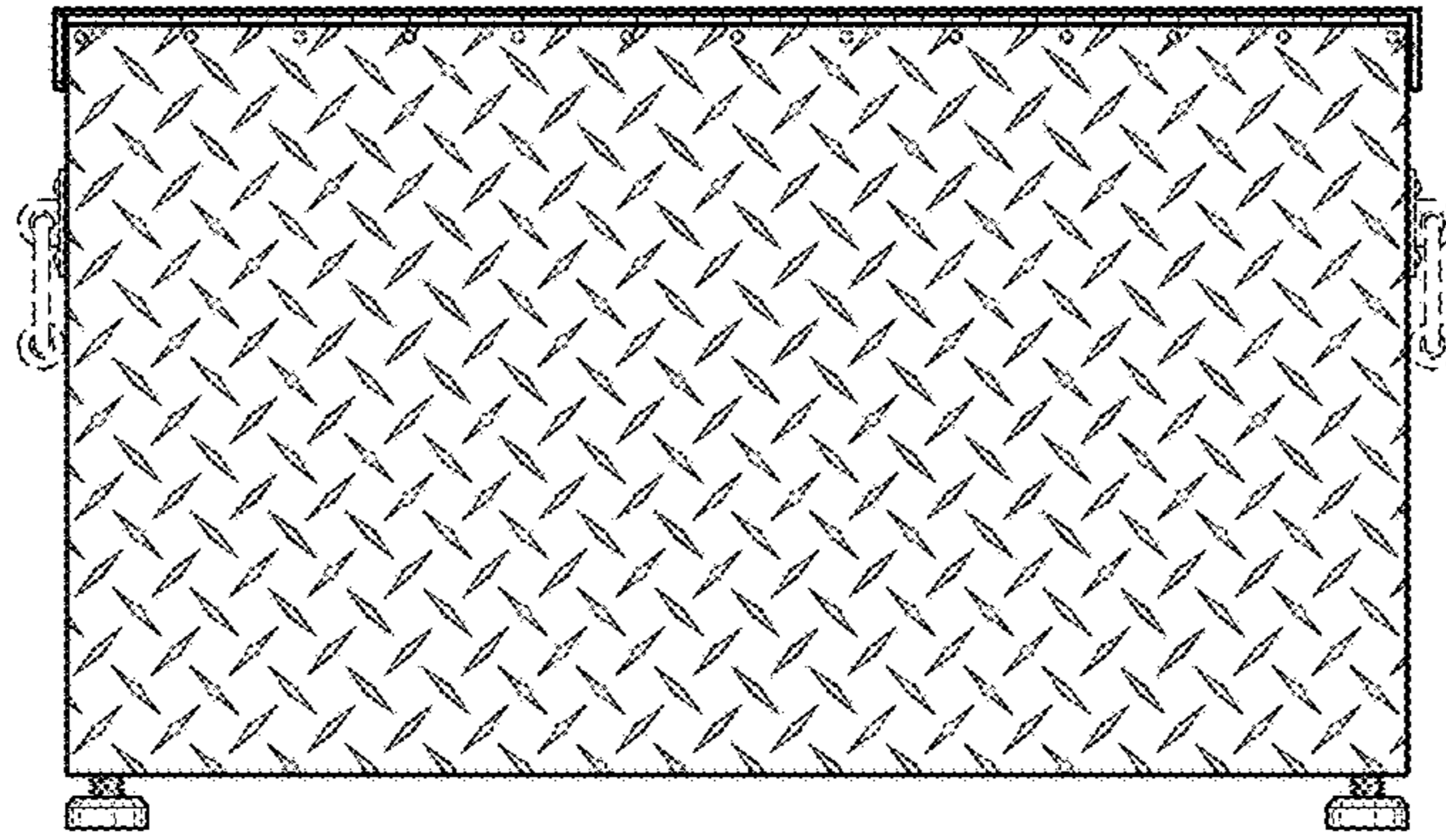


FIG. 3

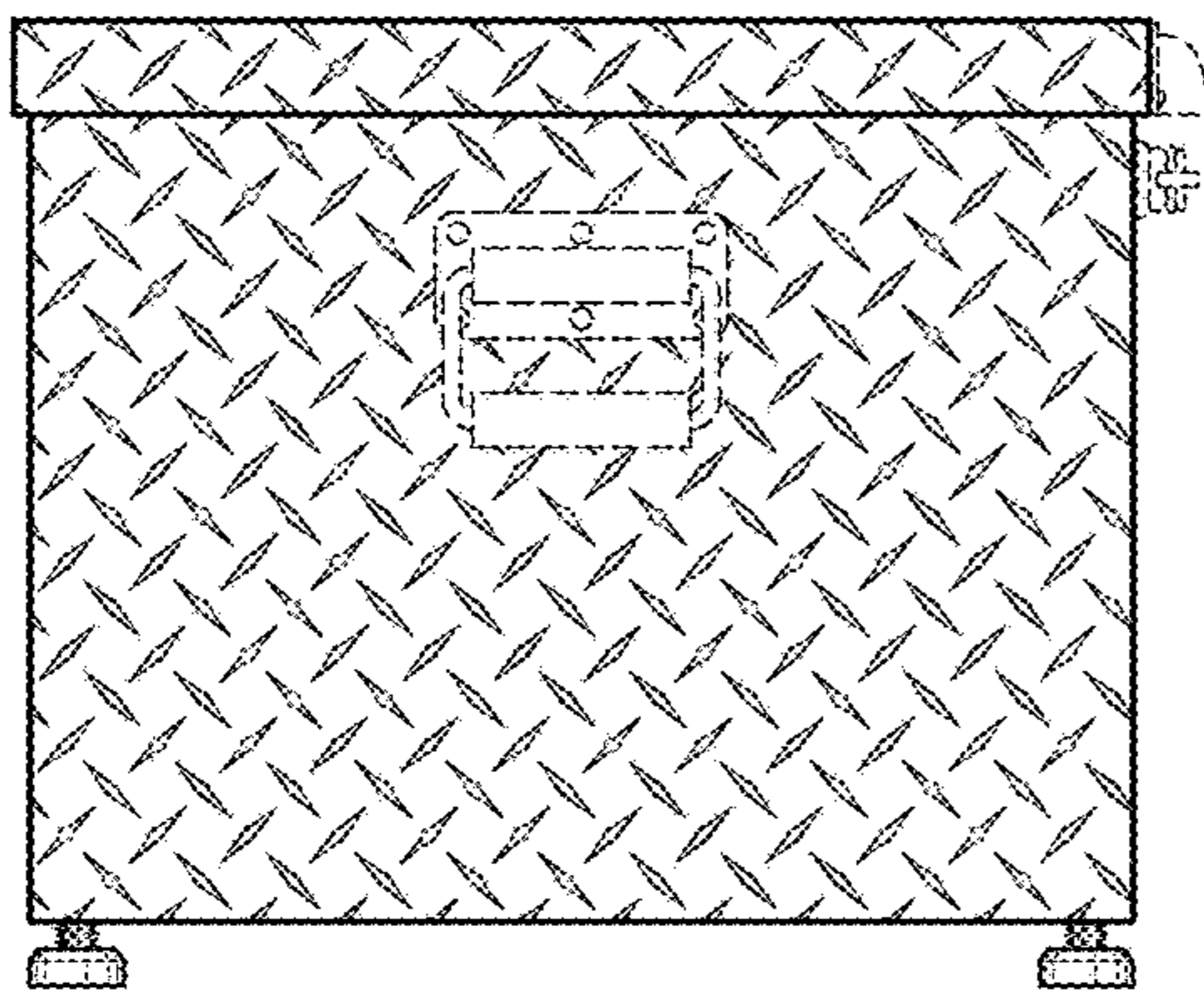


FIG. 4

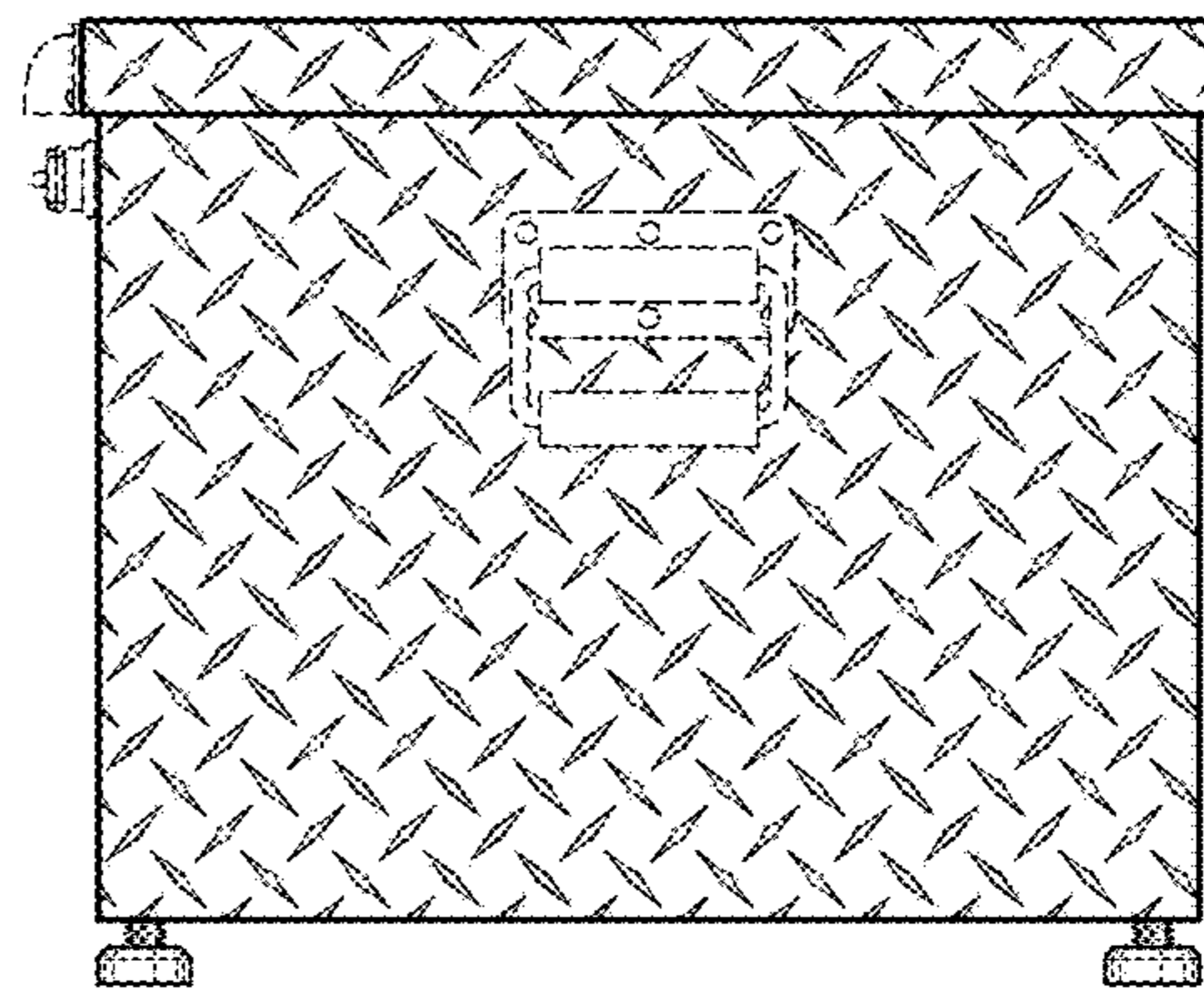


FIG. 5

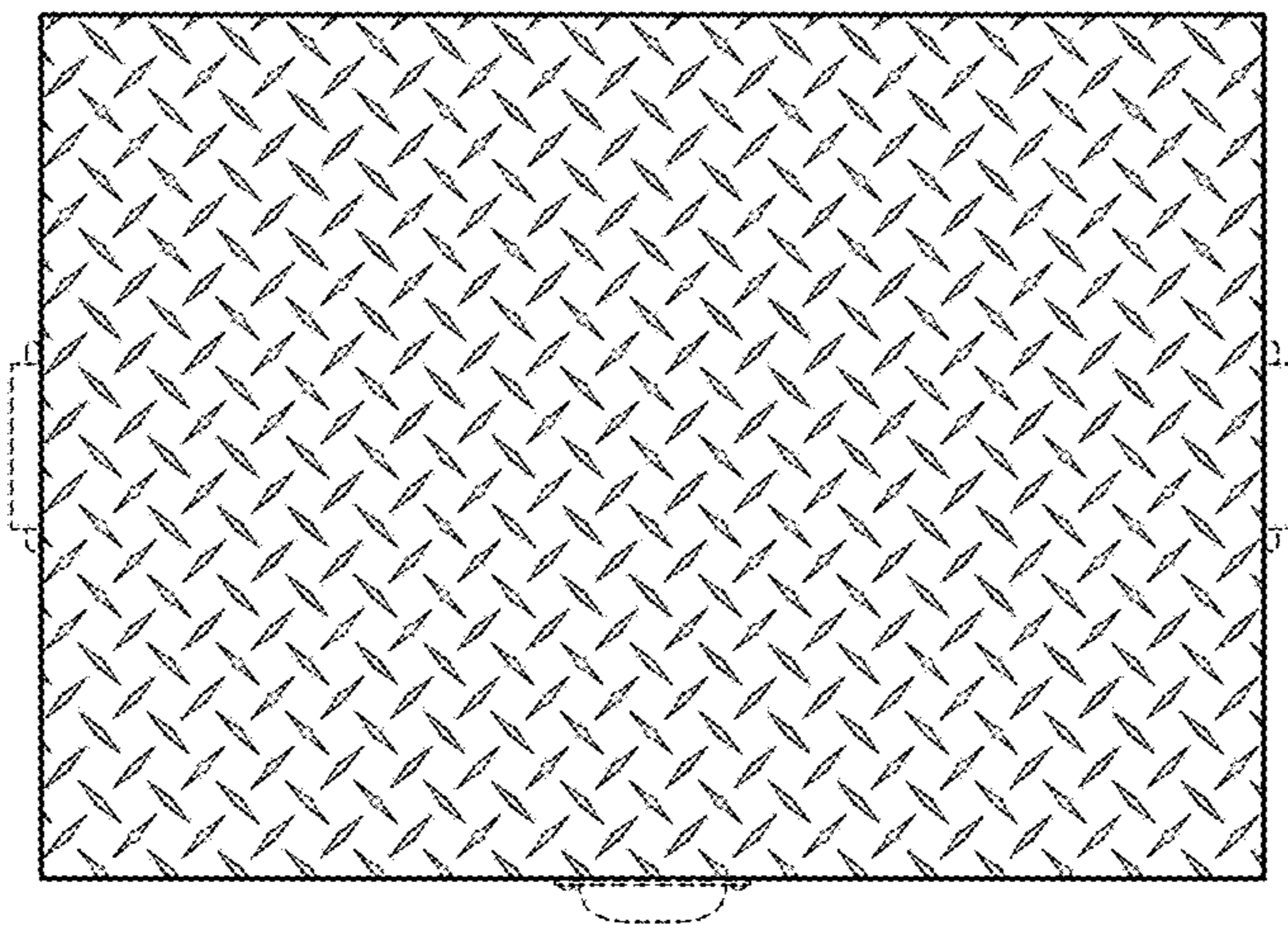


FIG. 6

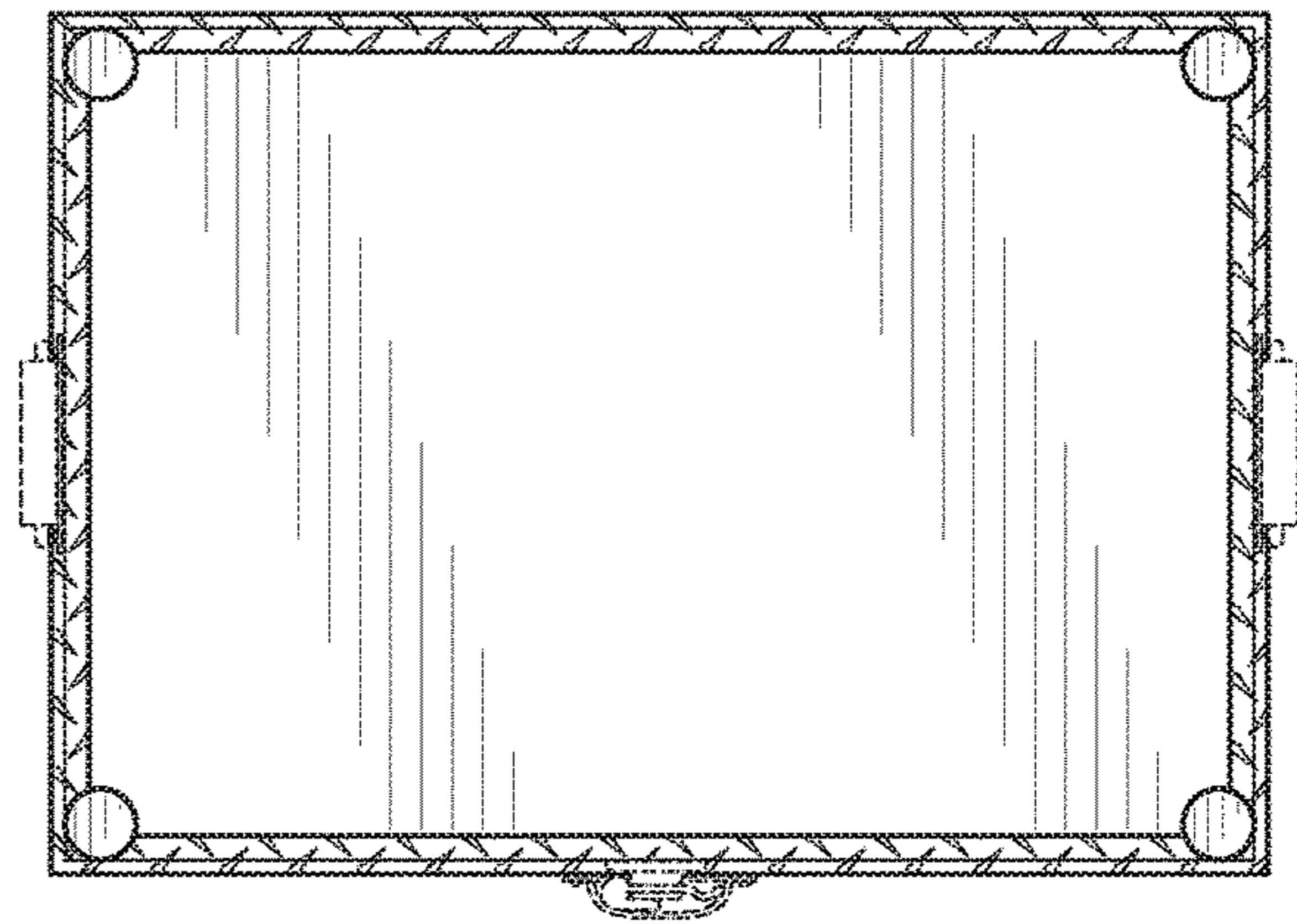


FIG. 7

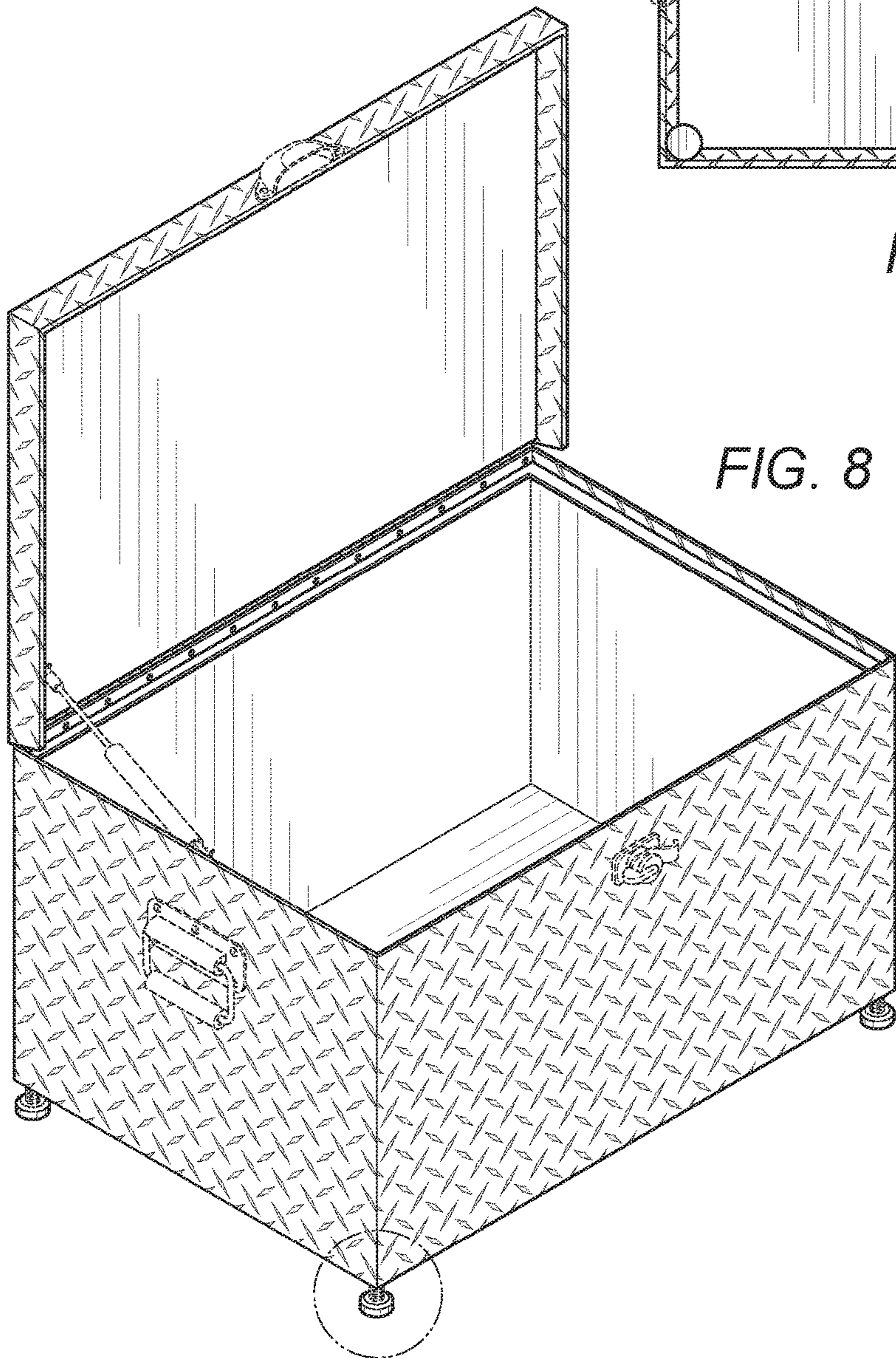


FIG. 8

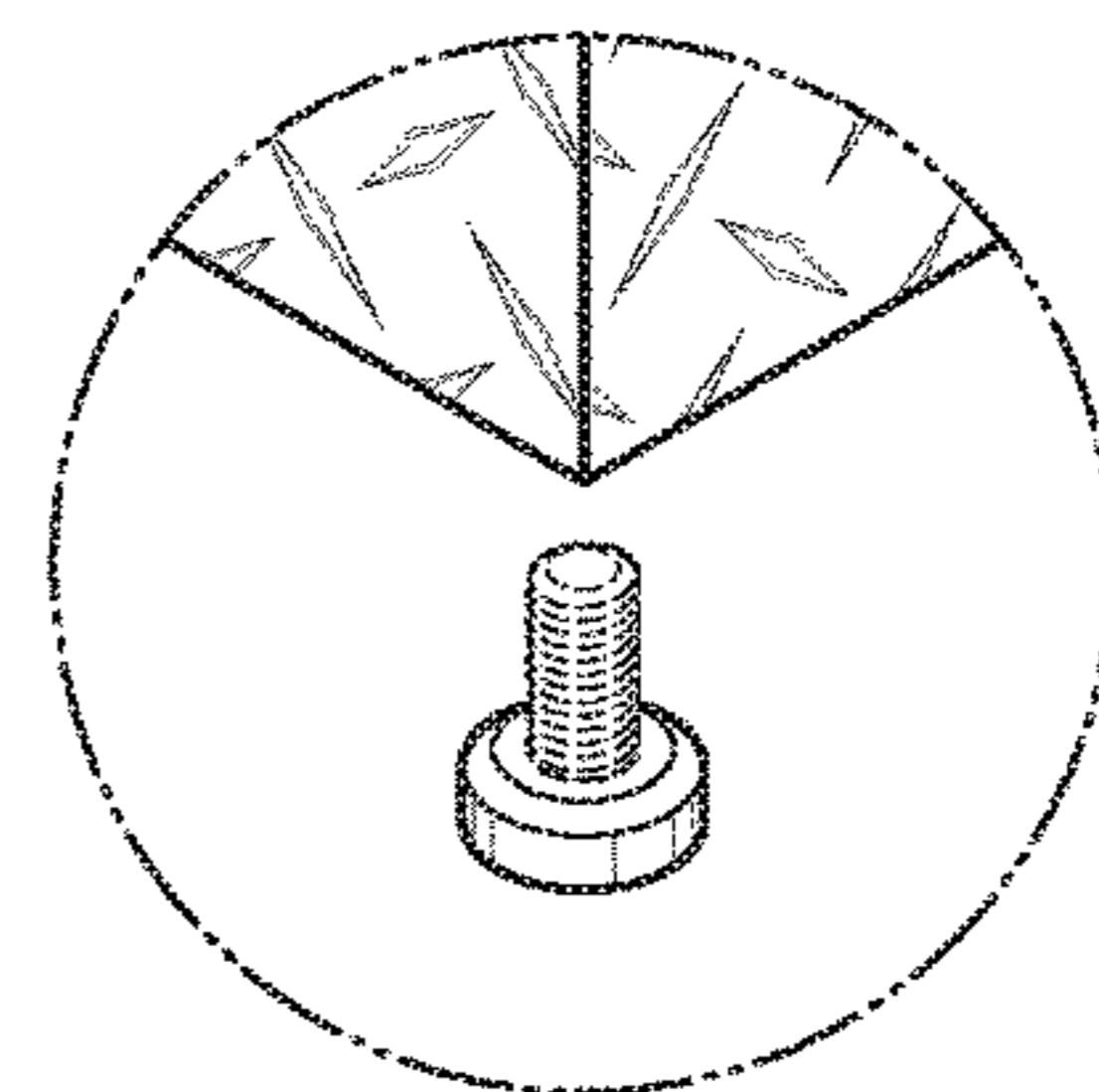


FIG. 9