



US00D798666S

(12) **United States Design Patent**  
**Koch et al.**

(10) **Patent No.:** **US D798,666 S**

(45) **Date of Patent:** **\*\* \*Oct. 3, 2017**

(54) **BEVERAGE DRINKING VESSEL**

(71) Applicant: **The Boston Beer Company**, Boston, MA (US)

(72) Inventors: **Charles J. Koch**, Newton, MA (US); **Peter D. Gladstone**, Arlington, MA (US); **Katie L. Piepiora**, Norwell, MA (US); **Jonathan D. London**, Wellesley, MA (US); **Robert P. Vail**, Winchester, MA (US); **Sandra P. Paterson**, Rockland, MA (US); **Sarah R. Gillis**, Milton, MA (US)

(73) Assignee: **The Boston Beer Company**, Boston, MA (US)

(\*) Notice: This patent is subject to a terminal disclaimer.

(\*\*) Term: **15 Years**

(21) Appl. No.: **29/536,173**

(22) Filed: **Aug. 13, 2015**

(51) **LOC (10) Cl.** ..... **07-01**

(52) **U.S. Cl.**  
USPC ..... **D7/523; D7/532; D7/509**

(58) **Field of Classification Search**  
USPC ..... D7/507, 509, 523, 524, 525, 526, 527, D7/528, 530, 531, 532, 533, 536, 537,  
(Continued)

(56) **References Cited**

**U.S. PATENT DOCUMENTS**

D72,188 S 3/1927 Ratner  
D90,928 S \* 10/1933 Rosenmerkle ..... D7/524  
(Continued)

**OTHER PUBLICATIONS**

[No Author Listed], Beer-Tower-Party. <http://beer-tower-party.com/wp-content/uploads/2014/03/classic-tulip-beer-glass-300x300> [last accessed Nov. 6, 2014].

(Continued)

*Primary Examiner* — Marianne Pandozzi

*Assistant Examiner* — Jae Liang

(74) *Attorney, Agent, or Firm* — Wolf, Greenfield & Sacks, P.C.

(57) **CLAIM**

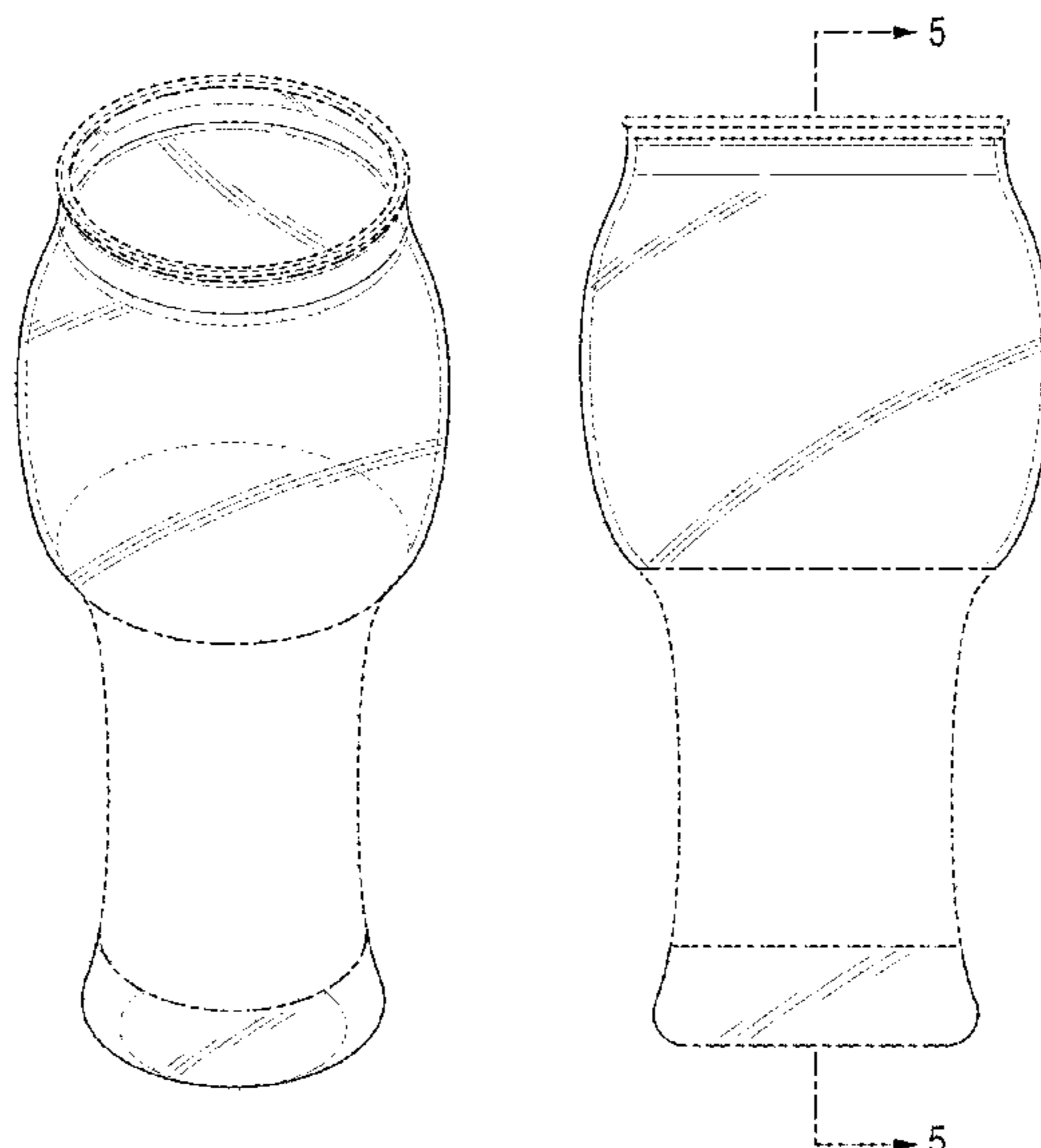
The ornamental design for a beverage drinking vessel, as shown and described.

**DESCRIPTION**

FIG. 1 is a perspective view of a first embodiment of a beverage drinking vessel showing our new design; FIG. 2 is a front view thereof, the left side view and right side view being identical to the front view; FIG. 3 is a top view thereof; FIG. 4 is a bottom view thereof; and FIG. 5 is a cross-sectional view thereof showing a section taken along line 5-5 of FIG. 2; FIG. 6 is a perspective view of a second embodiment of a beverage drinking vessel; FIG. 7 is a front view thereof, the left side view and right side view being identical to the front view; FIG. 8 is a top view thereof; FIG. 9 is a bottom view thereof; and, FIG. 10 is a cross-sectional view showing a section taken along line 10-10 of FIG. 7.

The cross-sectional hatching shown in FIG. 5 indicates that the claimed beverage drinking vessel is transparent. The cross-sectional hatching shown in FIG. 10 indicates that the claimed beverage drinking vessel is opaque. The dot-dash-dot lines represent the bounds of the claimed design. All other broken lines depict portions of the beverage drinking vessel that form no part of the claimed design.

**1 Claim, 6 Drawing Sheets**



(58) **Field of Classification Search**

USPC ..... D7/503, 510, 514, 515, 512, 608;  
 220/592.16, 502.17, 495.03, 740;  
 D3/202; D30/130, 121; 206/307, 217,  
 206/509; D9/424  
 CPC ..... A47G 19/22; A47G 19/2205; A47G  
 19/2227; A47G 23/0233; A45F 3/20;  
 B65D 1/265

See application file for complete search history.

D729,013 S \* 5/2015 Riedel ..... D7/524  
 D731,855 S \* 6/2015 Riedel ..... D7/523  
 D735,532 S \* 8/2015 Zollweg ..... D7/523  
 D745,324 S \* 12/2015 Malaspino ..... D7/523  
 D756,713 S \* 5/2016 Scott ..... D7/537  
 D766,040 S \* 9/2016 Kehrein ..... D7/509  
 2012/0233968 A1 \* 9/2012 Bernstein ..... A47G 19/2205  
 53/452  
 2013/0075356 A1 \* 3/2013 Bergida ..... A47G 19/2205  
 215/329  
 2013/0273224 A1 10/2013 Manska et al.

(56) **References Cited**

U.S. PATENT DOCUMENTS

D130,277 S \* 11/1941 Eggleton ..... D7/532  
 D138,639 S \* 8/1944 Erbe ..... D7/524  
 D168,409 S \* 12/1952 Kell ..... D7/524  
 D178,499 S \* 8/1956 Diebenkorn ..... D7/529  
 D226,443 S 3/1973 Achenbach  
 D237,853 S 12/1975 Katz  
 D249,111 S \* 8/1978 Geyer ..... D7/523  
 D262,253 S \* 12/1981 Vennola ..... D7/507  
 D278,401 S 4/1985 Assez  
 D283,659 S 5/1986 Blake et al.  
 D284,154 S 6/1986 Blake et al.  
 5,449,089 A 9/1995 Turner et al.  
 D383,037 S \* 9/1997 Asberg ..... D7/510  
 D402,158 S \* 12/1998 Mountain, Jr. .... D7/523  
 D409,444 S \* 5/1999 Pelz ..... D7/509  
 D417,820 S \* 12/1999 Pelz ..... D7/509  
 D418,370 S 1/2000 Wilson  
 D433,599 S \* 11/2000 Kristiansen ..... D7/509  
 D433,876 S \* 11/2000 Freed ..... D7/523  
 D437,230 S \* 2/2001 Andrew ..... D9/516  
 D452,954 S 1/2002 Westphal  
 D454,278 S \* 3/2002 Kerman ..... D7/509  
 6,368,531 B1 \* 4/2002 Chen ..... A47G 19/2227  
 264/129  
 D459,156 S 6/2002 Davidson  
 D469,658 S \* 2/2003 Norris ..... D7/510  
 D479,096 S \* 9/2003 Webb ..... D7/523  
 D483,613 S \* 12/2003 Gluck ..... D7/509  
 D483,995 S \* 12/2003 Otake ..... D7/523  
 D502,633 S \* 3/2005 Liu ..... D7/509  
 D506,642 S \* 6/2005 Dirstein ..... D7/509  
 D513,590 S \* 1/2006 Westphal ..... D9/504  
 D517,369 S \* 3/2006 Harris ..... D7/509  
 D523,339 S 6/2006 Westphal  
 D523,340 S \* 6/2006 Westphal ..... D9/500  
 D528,861 S \* 9/2006 Herrera ..... D7/510  
 D534,769 S 1/2007 Norris et al.  
 D545,624 S \* 7/2007 Tien ..... D7/523  
 D546,125 S \* 7/2007 Bhavnani ..... D7/523  
 D569,189 S 5/2008 Kehrein et al.  
 D571,151 S \* 6/2008 Lopez ..... D7/300.1  
 D582,213 S 12/2008 Kehrein et al.  
 D604,560 S \* 11/2009 Priest ..... D7/507  
 D604,562 S \* 11/2009 Lopez ..... D7/510  
 D631,760 S \* 2/2011 Stanishkov ..... D9/776  
 D646,988 S \* 10/2011 Myers ..... D9/776  
 D648,178 S 11/2011 Dick et al.  
 D648,179 S 11/2011 Myers  
 D660,724 S \* 5/2012 Myers ..... D9/777  
 D662,419 S \* 6/2012 Potts ..... D7/509  
 D663,165 S 7/2012 Manska et al.  
 D695,075 S 12/2013 Riedel  
 D696,586 S \* 12/2013 Huang ..... D7/511  
 D700,525 S \* 3/2014 Reaux ..... D9/719  
 D724,898 S \* 3/2015 Willat ..... D7/523  
 D727,686 S \* 4/2015 Meyerhoffer ..... D7/509

OTHER PUBLICATIONS

[No Author Listed], Big O Wine Tumbler Big O Pinot Noir.  
<https://riedelusa.net/riedel/o-wine-tumbler/big-o-pinot-noir.html>  
 [date unknown, accessed Nov. 24, 2014].  
 [No Author Listed], Bulmers Irish Cider glass. [http://www.travelblogginireland.com/wp-content/uploads/2012/01/IMG\\_0125.jpg](http://www.travelblogginireland.com/wp-content/uploads/2012/01/IMG_0125.jpg) [date unknown, accessed Aug. 6, 2015].  
 [No Author Listed], Glassware for Beer. BeerAdvocate. <http://www.beeradvocate.com/beer/101/glassware/> [last accessed Dec. 10, 2014].  
 [No Author Listed], It's Hard Cider Season. Kegworks. <http://www.kegworks.com/blog/its-hard-cider-season/> [last accessed Nov. 10, 2014].  
 [No Author Listed], Libbey Introduces an Incomparable Way to Present Hard Cider. <http://pitchengine.com/pitches/86e58731-a384-40c2-befb-fda28858b188> [last accessed Nov. 10, 2004].  
 [No Author Listed], Libbey introduces new way to present cider. Tableware International. [http://www.tablewareinternational.com/latest\\_news/libbeycider\\_2.aspx](http://www.tablewareinternational.com/latest_news/libbeycider_2.aspx) [last accessed Nov. 10, 2014].  
 [No Author Listed], Libbey launches new Hard Cider glass. Go Hospitality. <http://www.gohospitality.com.au/c/Libbey/Libbey-launches-new-Hard-Cider-glass-n2517701> [last accessed Nov. 21, 2014].  
 [No Author Listed], Libbey Releases Hard Cider Glass in Time for Fall. FSR Magazine. <http://staging.fsrmagazine.com/content/libbey-releases-hard-cider-glass-time-fall> [last accessed Nov. 10, 2014].  
 [No Author Listed], Libbey: New Glass Makes Improving The Hard Cider Experience Easy. Table Top Journal. <http://www.tabletopjournal.com/journal-page/libbey-new-glass-makes-improving-the-hard-cider-experience-easy> [last accessed Nov. 10, 2014].  
 [No Author Listed], Libbey® Glass 4-Piece Perfect Hard Cider McIntosh GlassesBed. Bath & Beyond. <http://www.bedbathandbeyond.com/1/1/283153-libbey-glass-4-piece-perfect-hard-cider> [last accessed Dec. 10, 2014].  
 [No Author Listed], Libby Perfect Hard Cider Assorted Glass Set—6 Pieces. <https://www.kegworks.com/libbey-perfect-hard-cider-assorted-glass-set-6-pieces?keyword/> [date unknown, accessed Dec. 10, 2014].  
 [No Author Listed], Riedel USA. [http://www.riedelusa.net/media/catalog/product/cache/1/small\\_image/0f396e8a55728e79](http://www.riedelusa.net/media/catalog/product/cache/1/small_image/0f396e8a55728e79) [last accessed Dec. 10, 2014].  
 [No Author Listed], Spiegelau India Pale Ale Beer Glass. Crate and Barrel. <http://www.crateandbarrel.com/spiegelau-india-pale-ale-beer-glass/s688663> [last accessed Nov. 6, 2014].  
 [No Author Listed], Spiegelau Stemmed Pilsner Glass. Crate and Barrel. <http://www.crateandbarrel.com/spiegelau-stemmed-pilsner-glass/s144509> [last accessed Nov. 6, 2014].  
 Reis, Beer Glassware: Does it Really Matter? Serious Eats. Jun. 7, 2012. <http://drinks.seriousseats.com/2012/06/beer-glasses-best-glass-for-craft-beer-taste-test.html> [last accessed Dec. 10, 2014].

\* cited by examiner

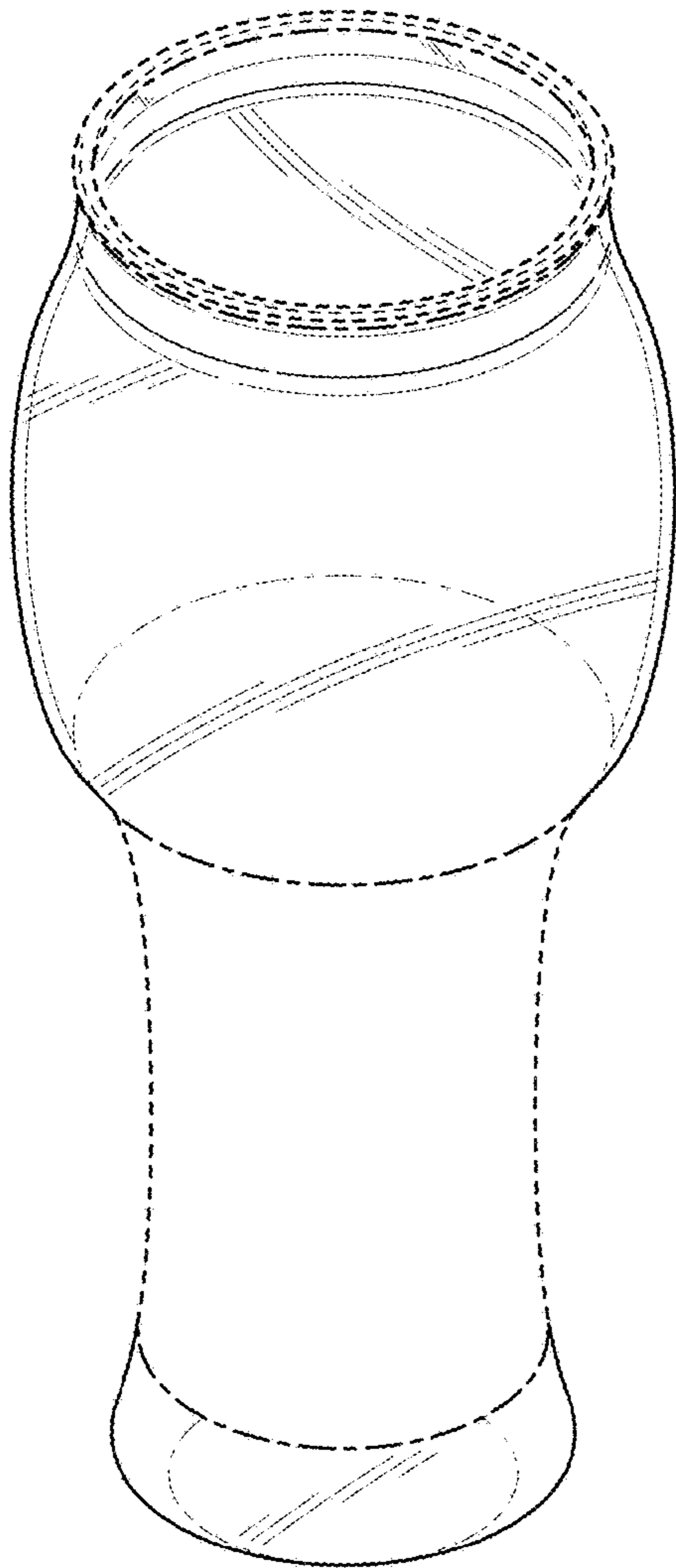


FIG. 1

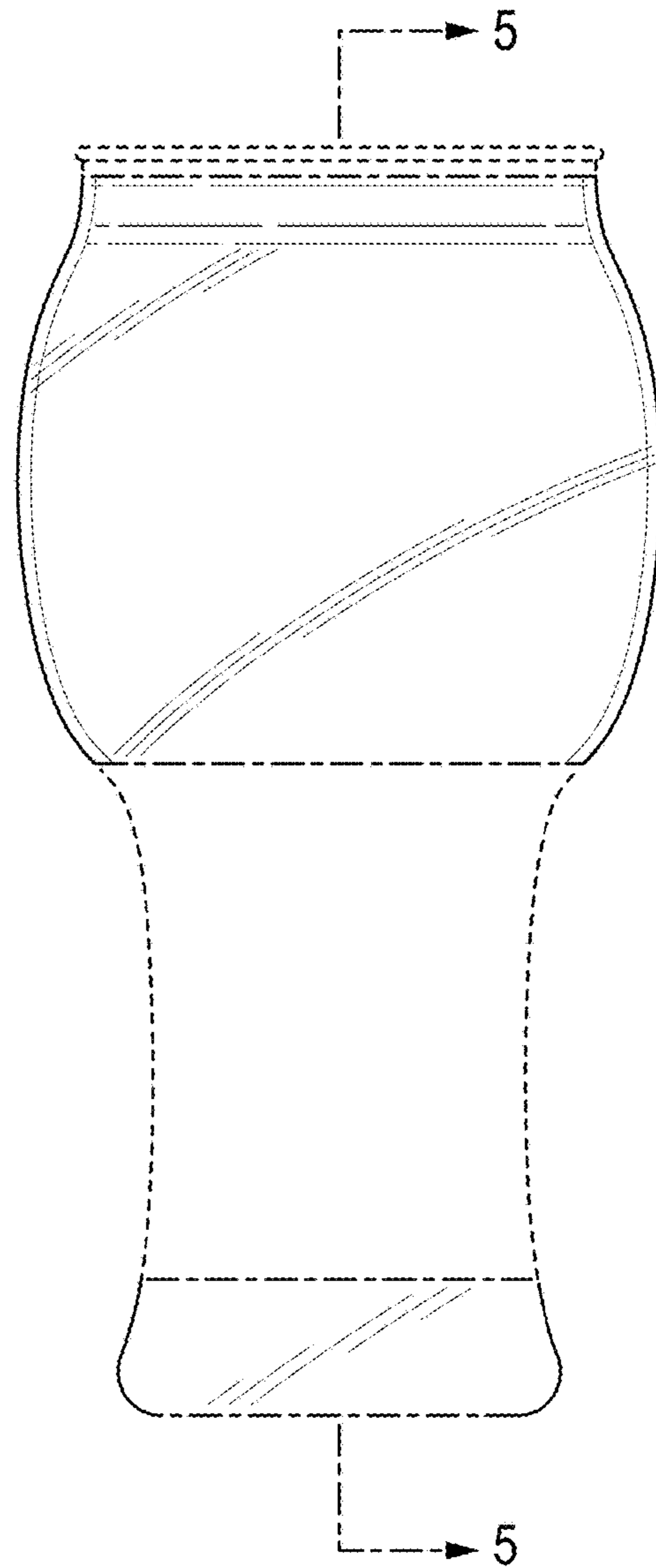


FIG. 2

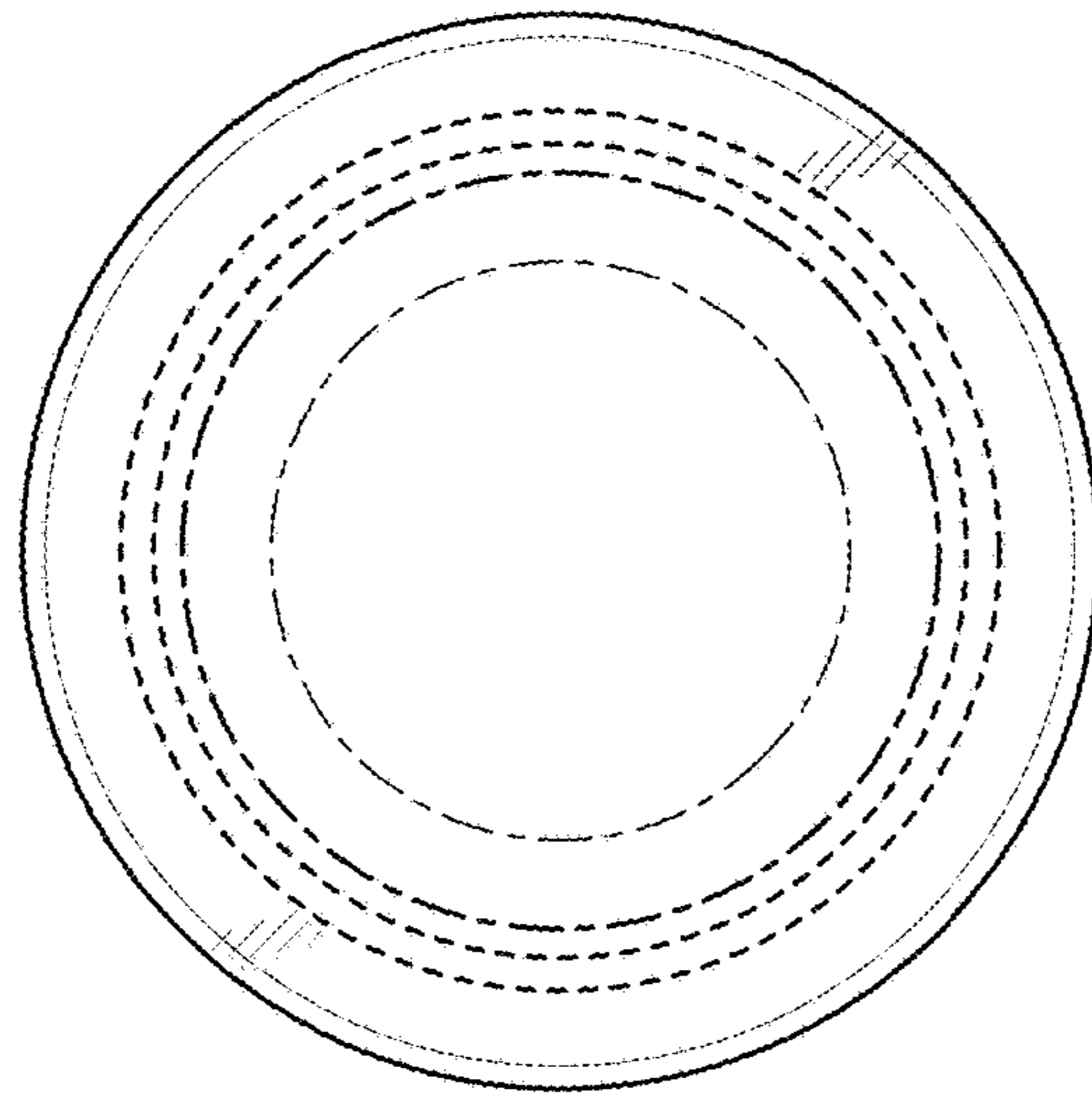


FIG. 3

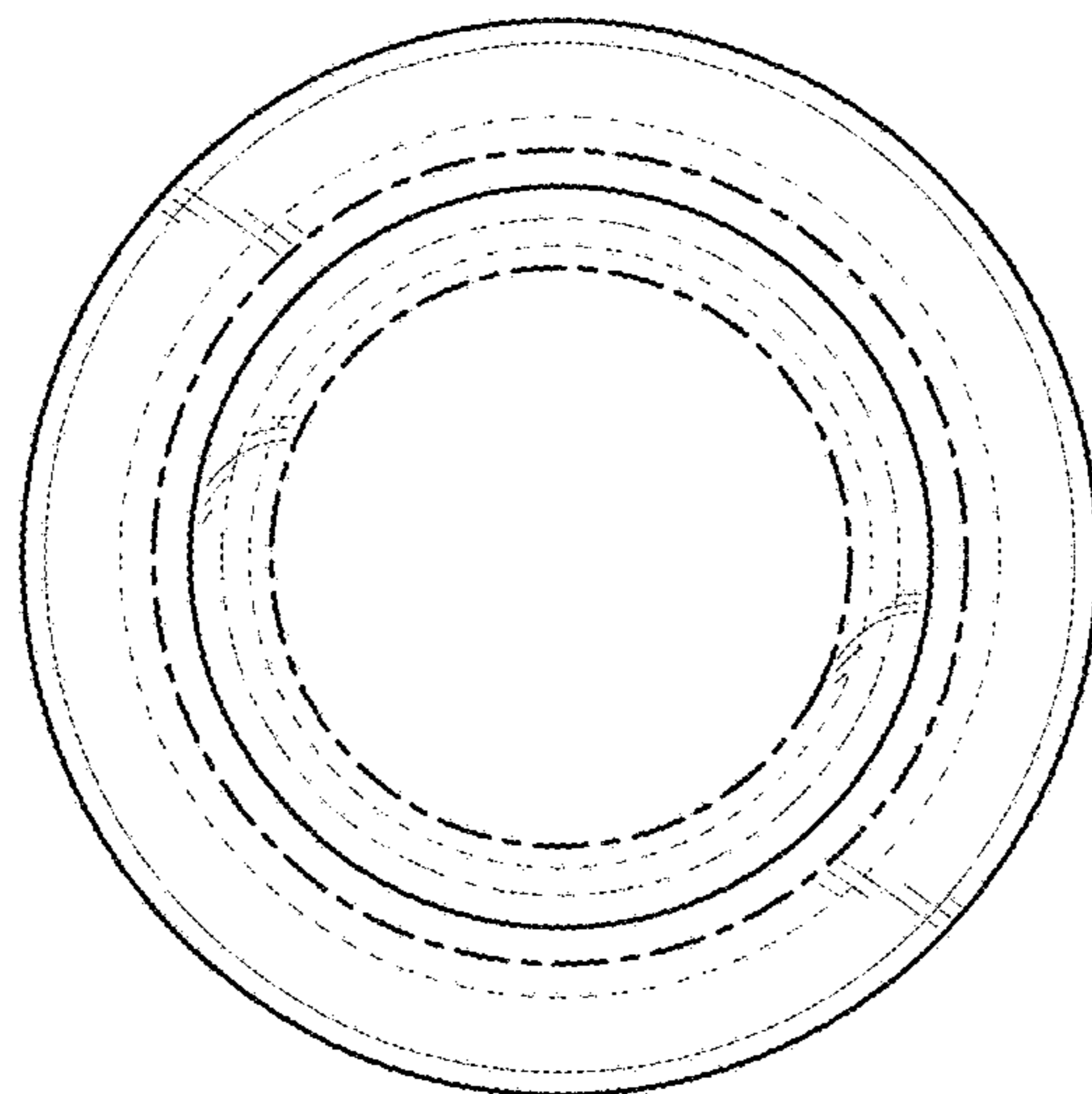


FIG. 4

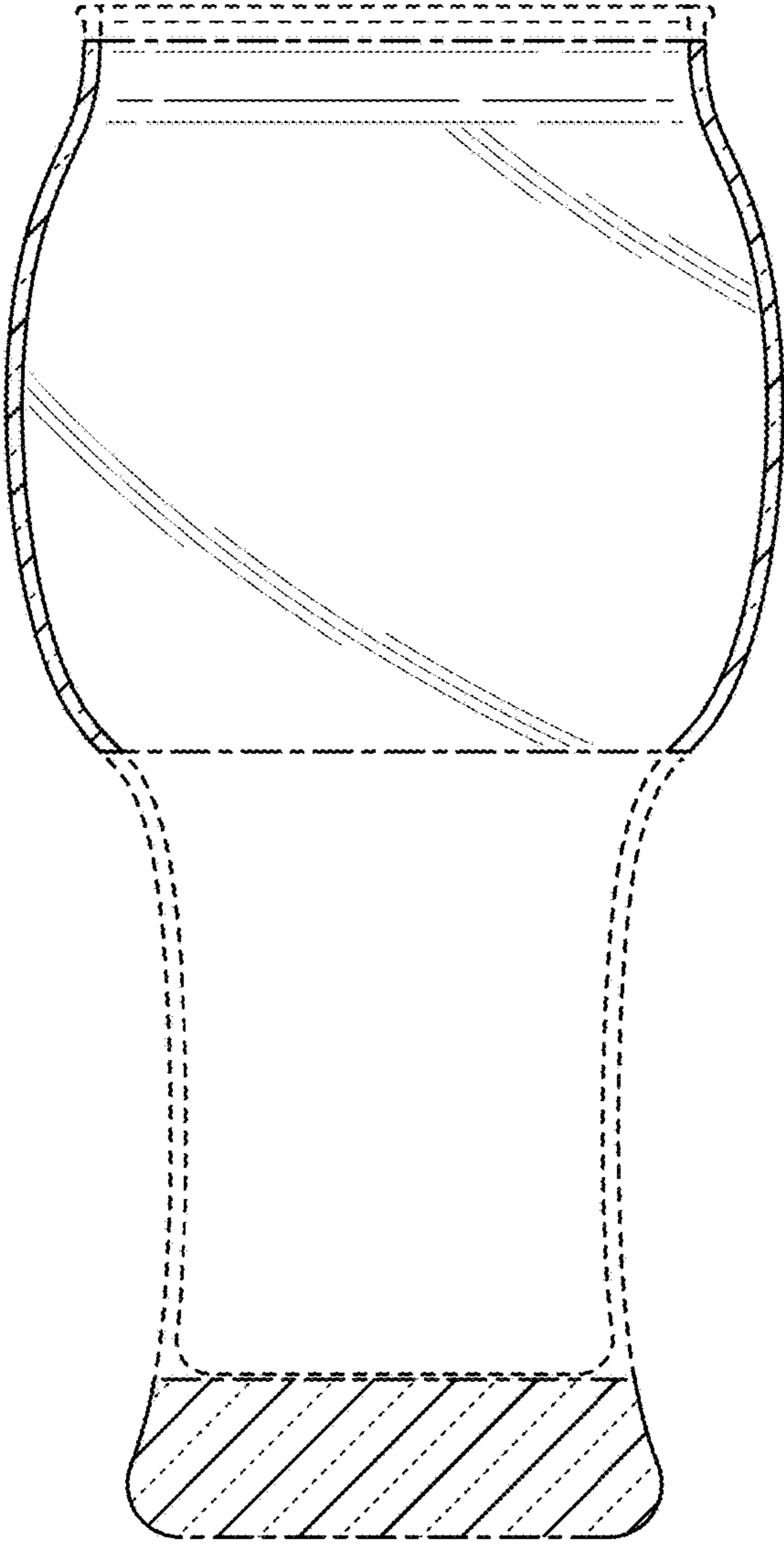


FIG. 5

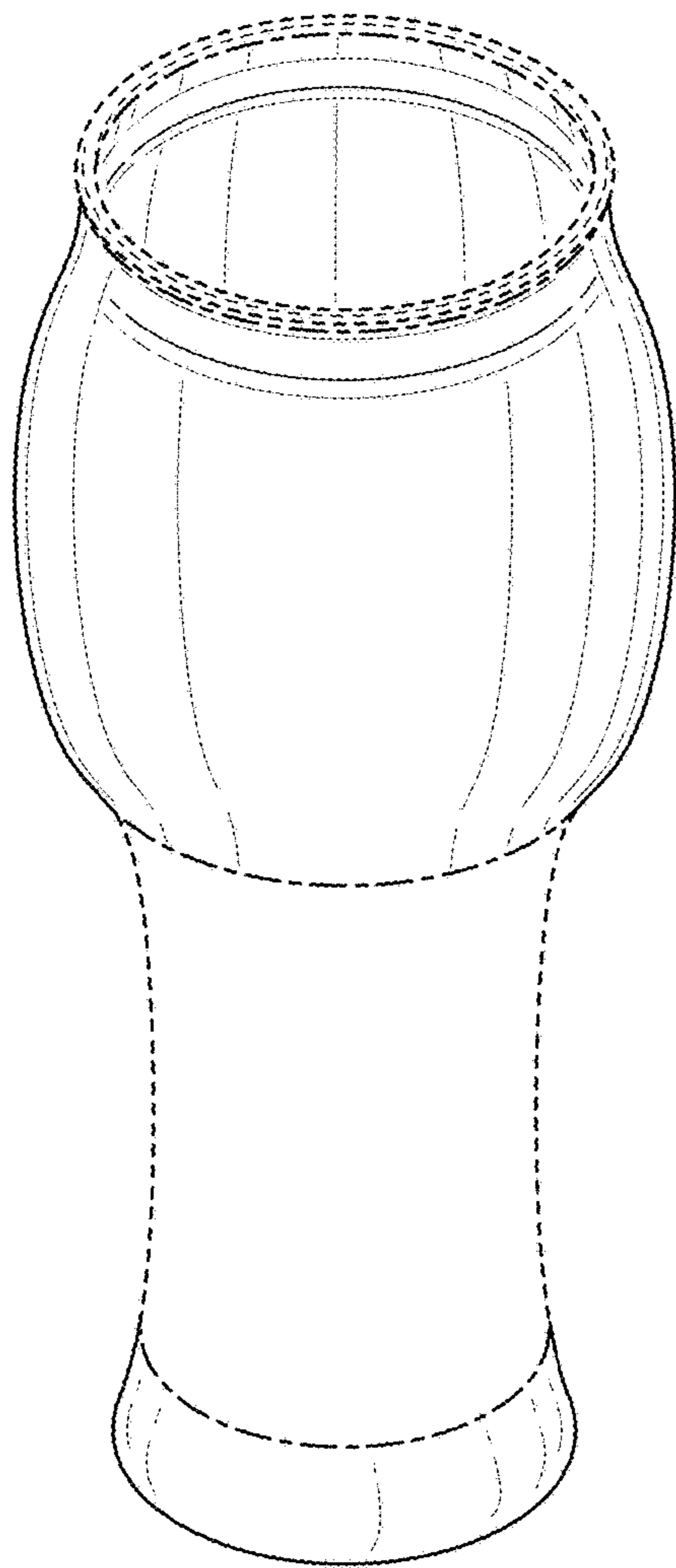


FIG. 6

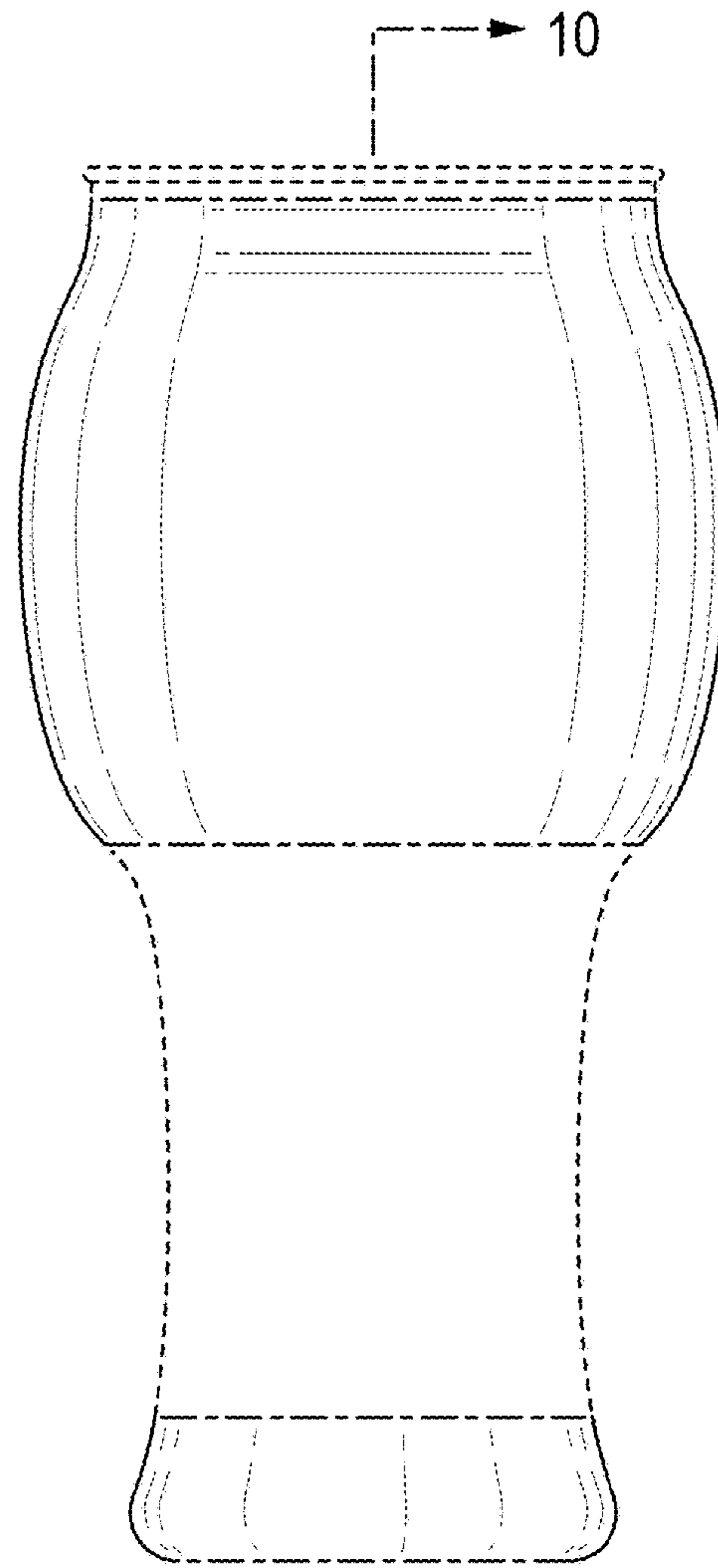


FIG. 7

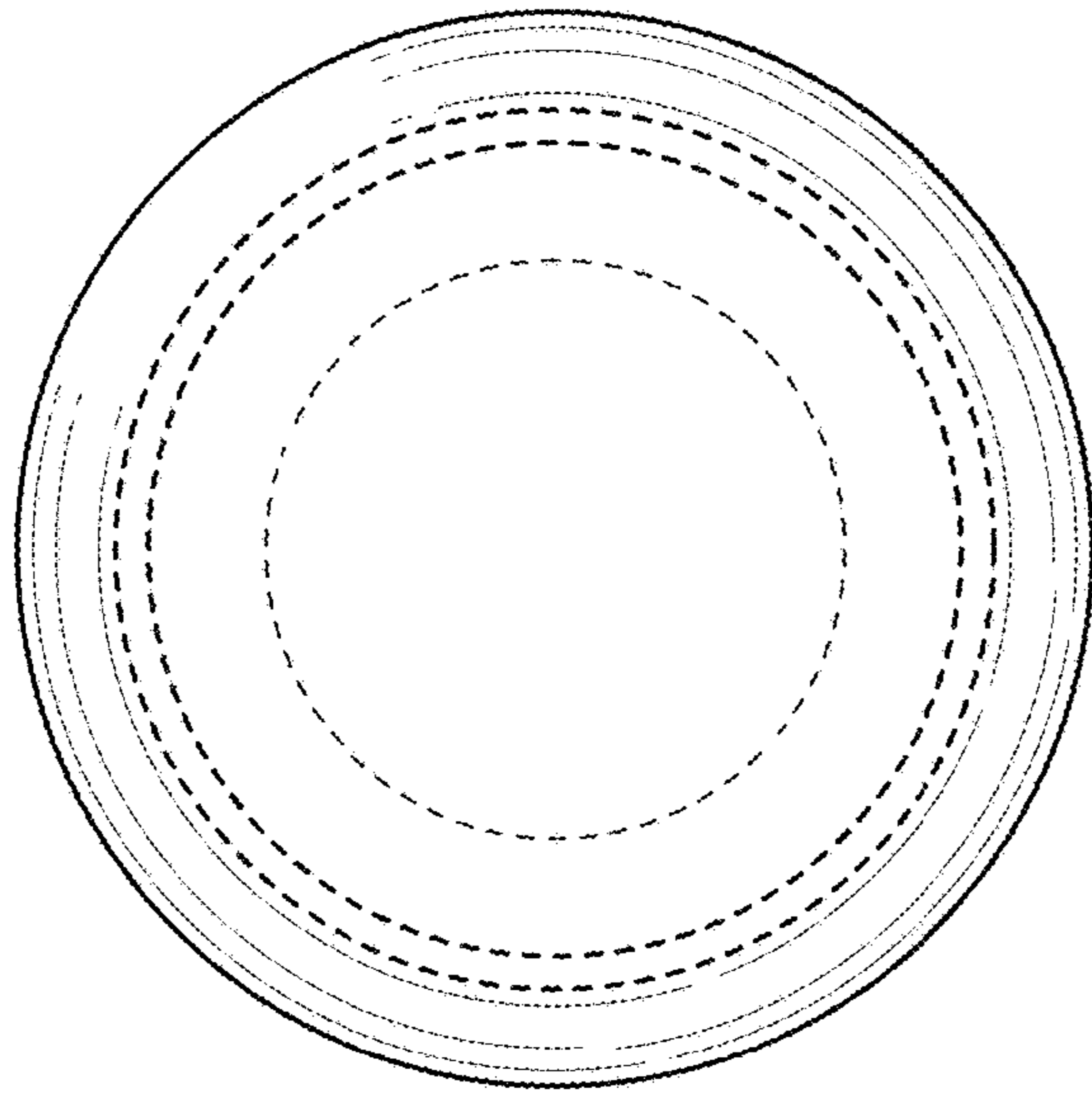


FIG. 8

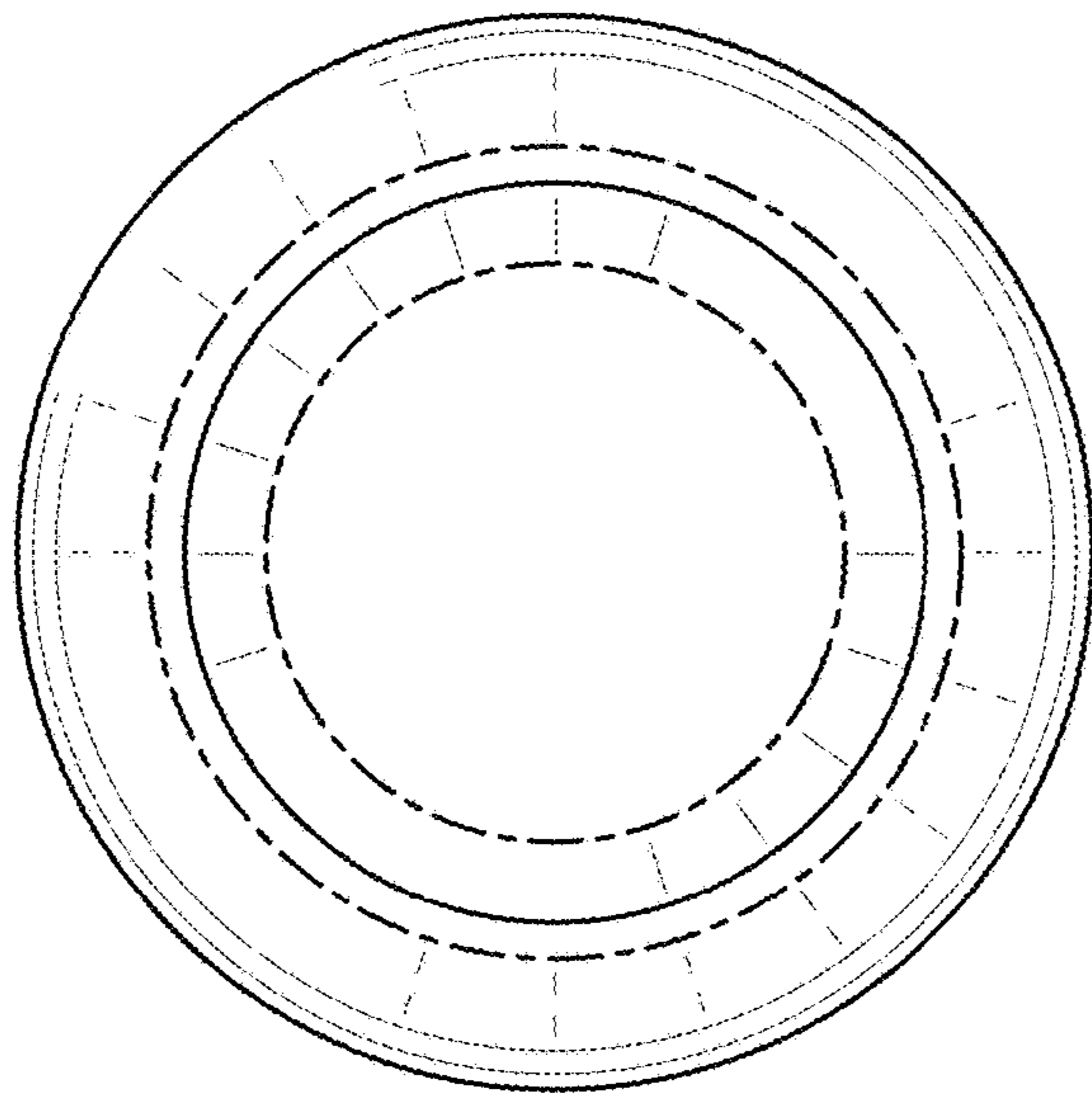


FIG. 9

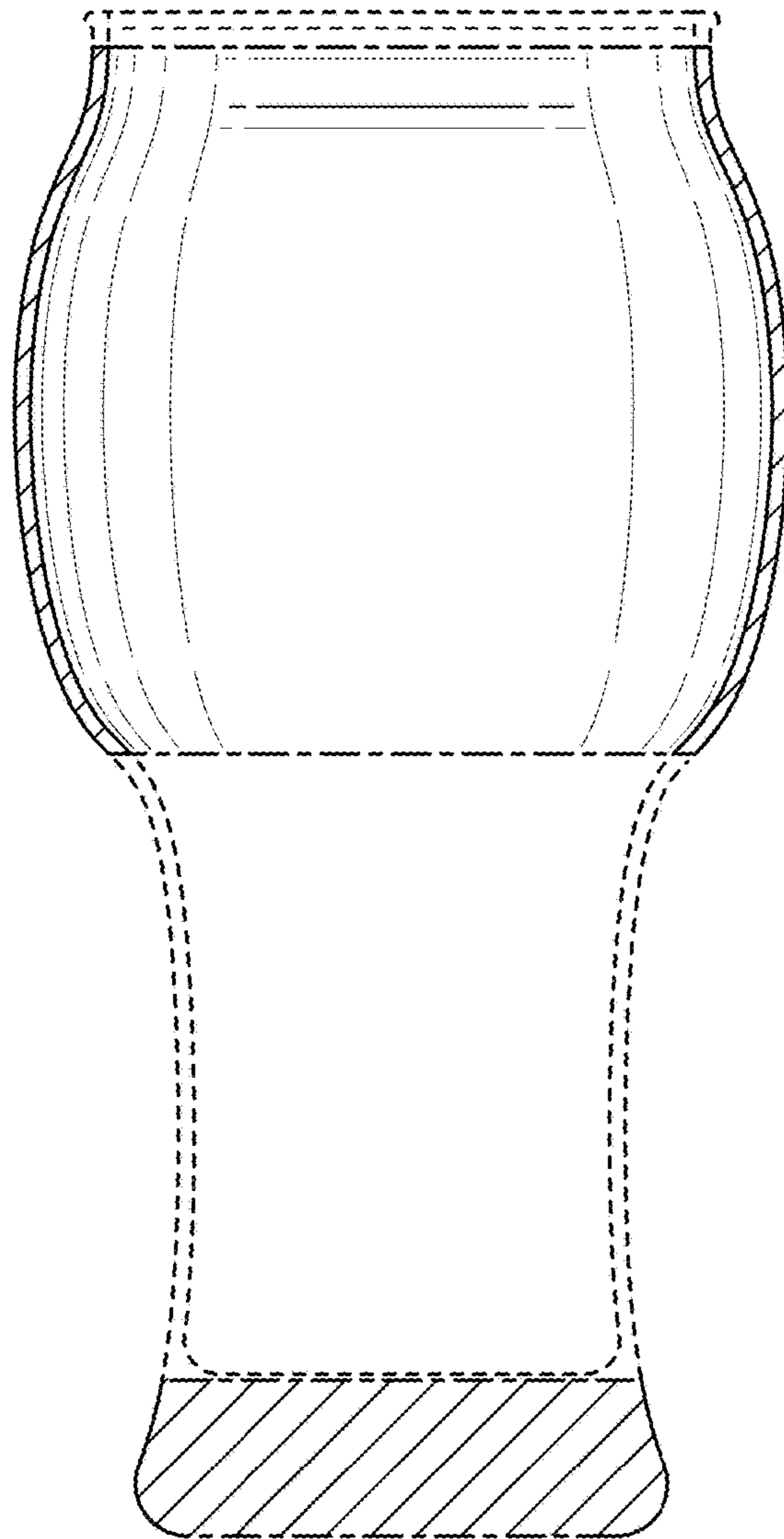


FIG. 10



UNITED STATES PATENT AND TRADEMARK OFFICE  
**CERTIFICATE OF CORRECTION**

PATENT NO. : D798,666 S  
APPLICATION NO. : 29/536173  
DATED : October 3, 2017  
INVENTOR(S) : Charles J. Koch et al.

Page 1 of 1

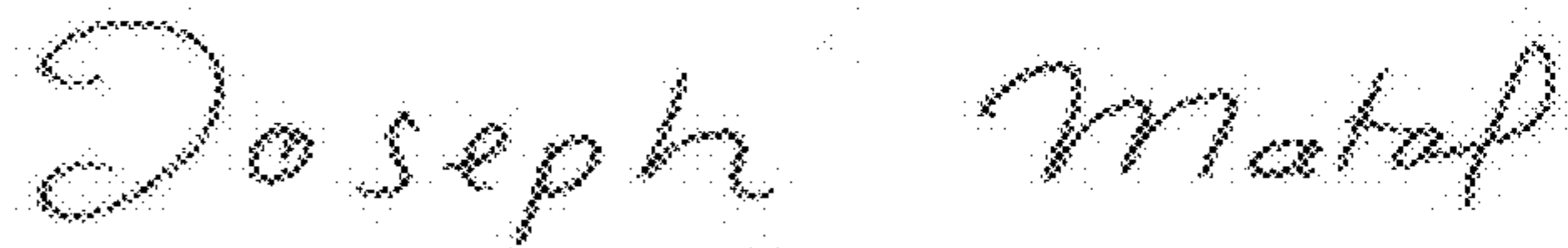
It is certified that error appears in the above-identified patent and that said Letters Patent is hereby corrected as shown below:

On the Title Page

In the Description:

In the description of FIG. 5, please delete “thereof”.

Signed and Sealed this  
Ninth Day of January, 2018



Joseph Matal

*Performing the Functions and Duties of the  
Under Secretary of Commerce for Intellectual Property and  
Director of the United States Patent and Trademark Office*