



US00D798665S

(12) **United States Design Patent** (10) **Patent No.:** **US D798,665 S**  
**Rummel et al.** (45) **Date of Patent:** **\*\* \*Oct. 3, 2017**

(54) **BOTTLE WITH LID**  
(71) Applicant: **BRITA GMBH**, Taunusstein (DE)  
(72) Inventors: **Christian Rummel**, Benningen (DE);  
**Tim Storti**, Schwieberdingen (DE)  
(73) Assignee: **BRITA GMBH**, Taunusstein (DE)  
(\* ) Notice: This patent is subject to a terminal disclaimer.  
(\*\*) Term: **15 Years**

D586,182 S \* 2/2009 Trombly ..... D7/509  
D615,352 S \* 5/2010 Alviar ..... D7/396.2  
8,360,267 B1 \* 1/2013 Chiou ..... A47G 19/2272  
220/711  
D693,629 S \* 11/2013 Miller ..... D7/392.1  
D693,630 S \* 11/2013 Hurley ..... D7/392.1  
D693,688 S \* 11/2013 Russell ..... D9/454  
D709,734 S \* 7/2014 Kotani ..... D7/608  
D729,585 S \* 5/2015 Boroski ..... D7/511  
D731,244 S \* 6/2015 Kohl ..... D7/510  
D743,742 S \* 11/2015 Rummel ..... D7/511  
D744,781 S \* 12/2015 Rummel ..... D7/511  
D750,937 S \* 3/2016 Ji ..... D7/511  
9,462,904 B2 \* 10/2016 Coon ..... A45F 3/18

\* cited by examiner

(21) Appl. No.: **29/542,430**  
(22) Filed: **Oct. 14, 2015**  
(30) **Foreign Application Priority Data**  
Apr. 17, 2015 (DE) ..... 40 2015 100 355  
(51) **LOC (10) Cl.** ..... **07-01**  
(52) **U.S. Cl.**  
USPC ..... **D7/510; D7/511; D7/523; D9/504**  
(58) **Field of Classification Search**  
USPC ..... D7/507, 509, 510, 511, 523, 529, 531,  
D7/532, 608, 629, 392.1, 396.2; D9/500,  
D9/501, 503, 504, 516, 537, 530, 566,  
D9/564, 567; 215/200, 201, 228, 235;  
220/288, 255, 212.5  
CPC ..... A45F 3/16; B65D 47/066; A47G 19/2266;  
A47G 19/2272  
See application file for complete search history.

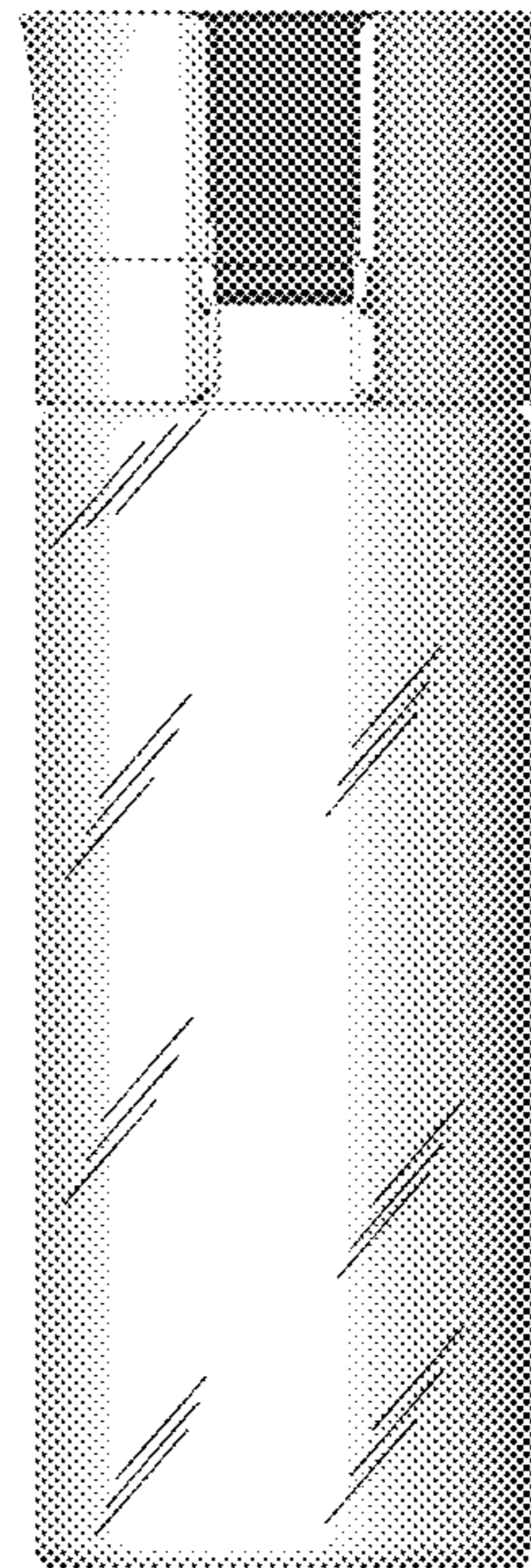
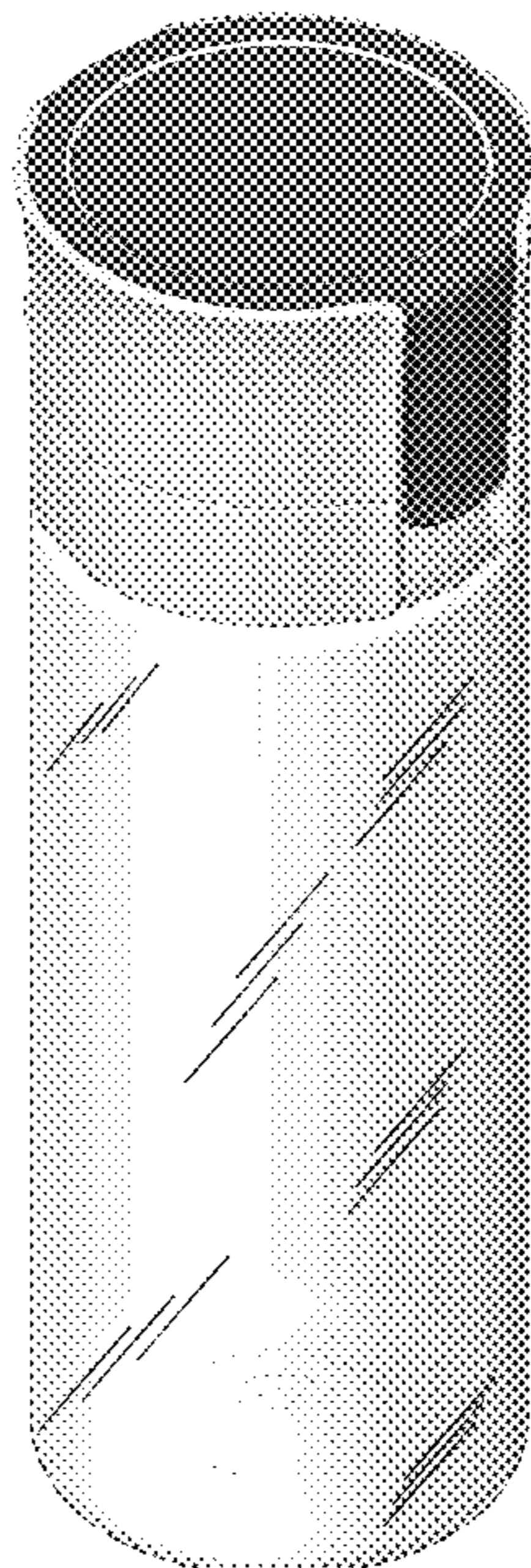
*Primary Examiner* — Marianne Pandozzi  
*Assistant Examiner* — Jae Liang  
(74) *Attorney, Agent, or Firm* — Hudak, Shunk & Farine  
Co. LPA

(56) **References Cited**  
U.S. PATENT DOCUMENTS  
D482,605 S \* 11/2003 Souther ..... D9/727  
D564,841 S \* 3/2008 Clemens ..... D7/509

(57) **CLAIM**  
The ornamental design for a “bottle with lid,” as shown and described.

**DESCRIPTION**  
FIG. 1 is a front left perspective view of a bottle with lid showing our new design;  
FIG. 2 is a rear view thereof;  
FIG. 3 is a left side view thereof;  
FIG. 4 is an enlarged top view thereof;  
FIG. 5 is a right side view thereof;  
FIG. 6 is an enlarged bottom view thereof; and,  
FIG. 7 is a front view thereof.

**1 Claim, 7 Drawing Sheets**



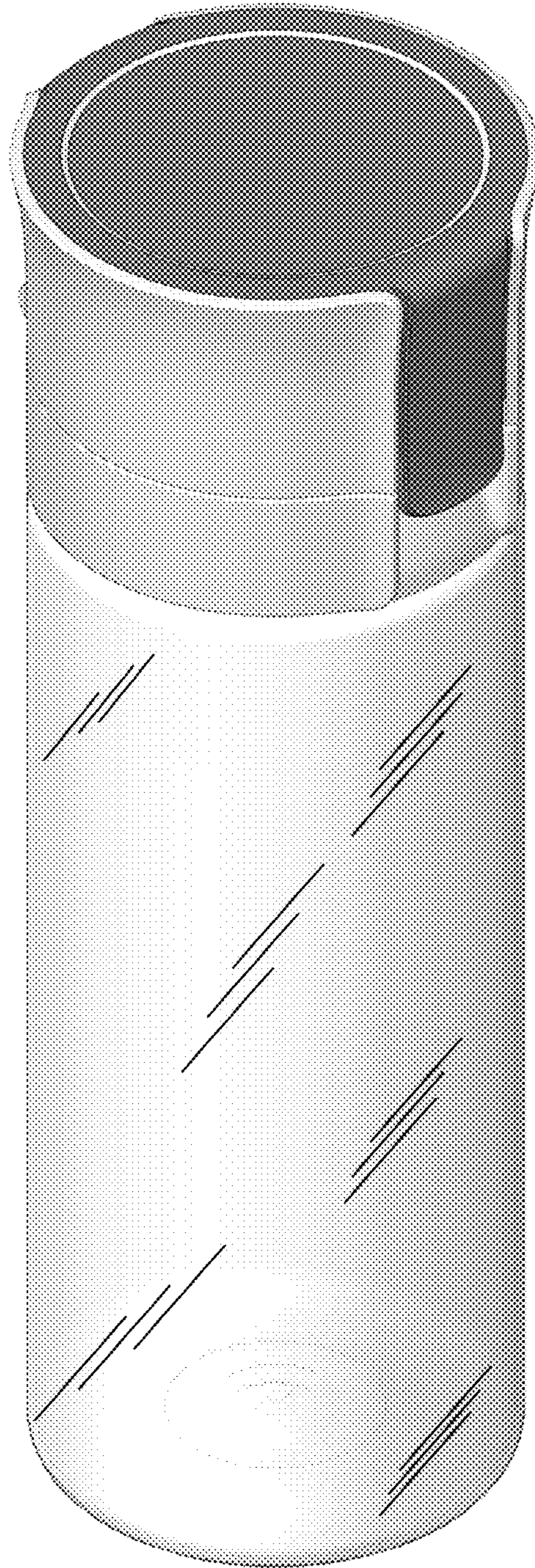


FIG. 1

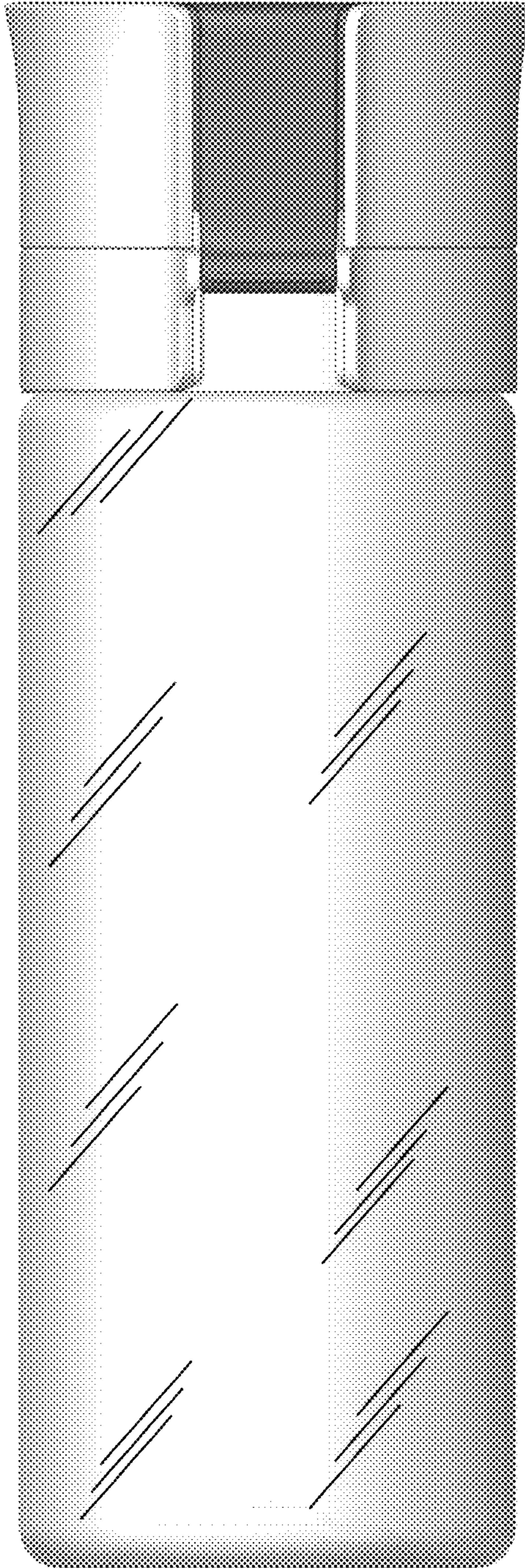


FIG. 2

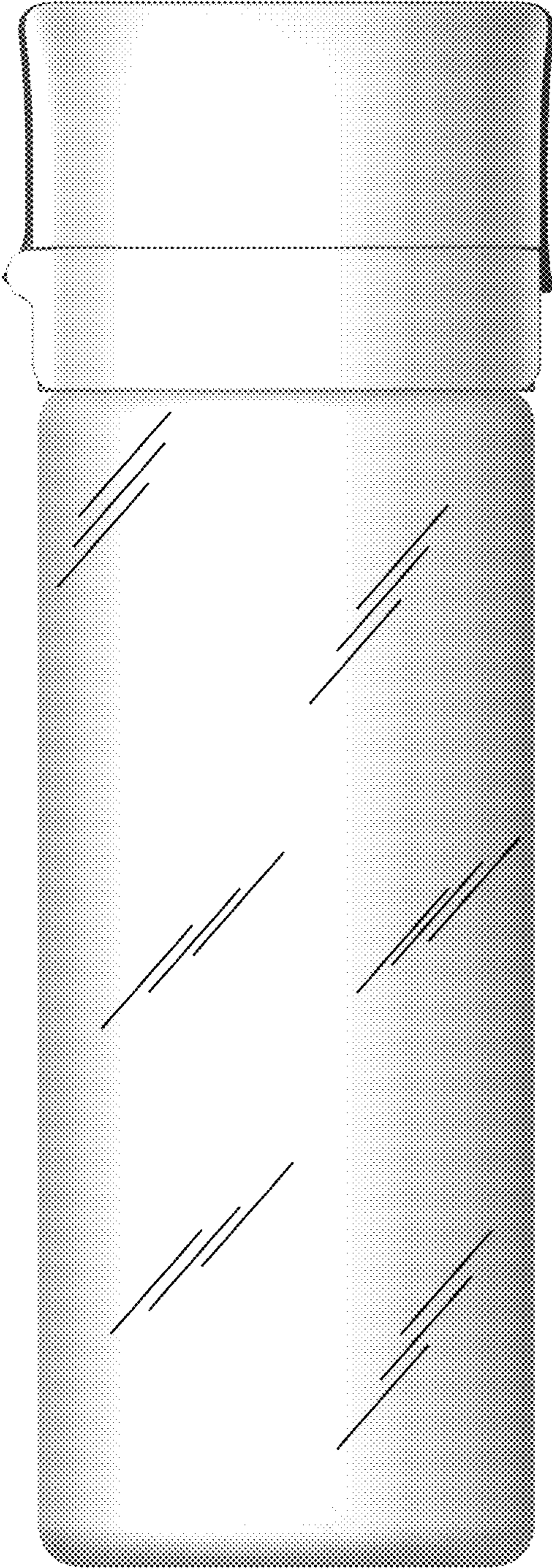


FIG. 3

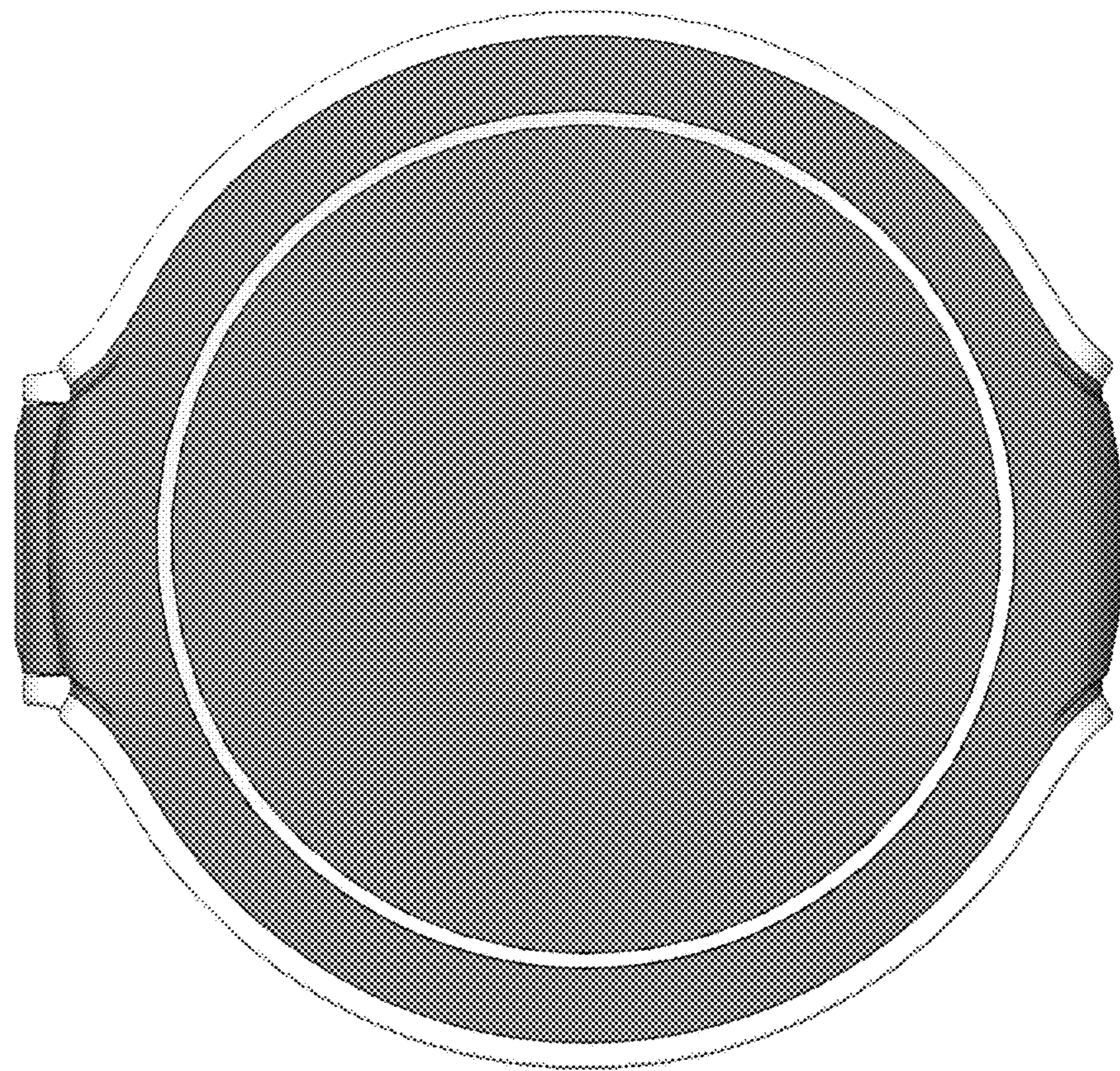


FIG. 4

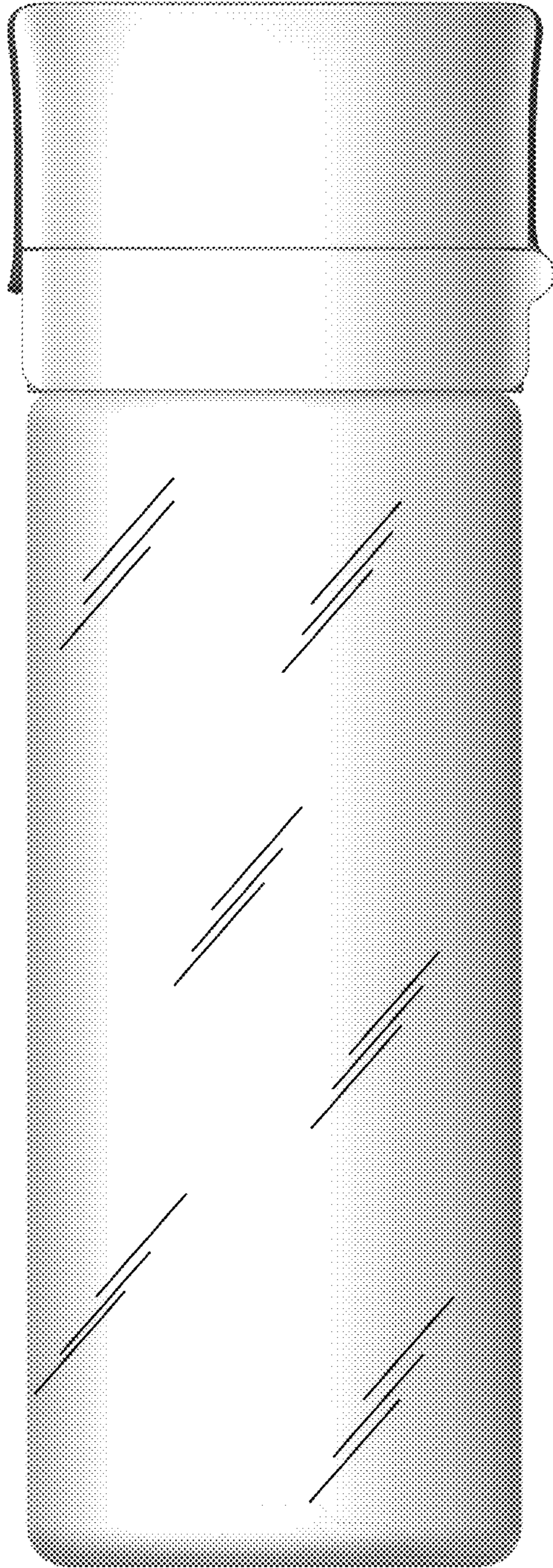


FIG. 5

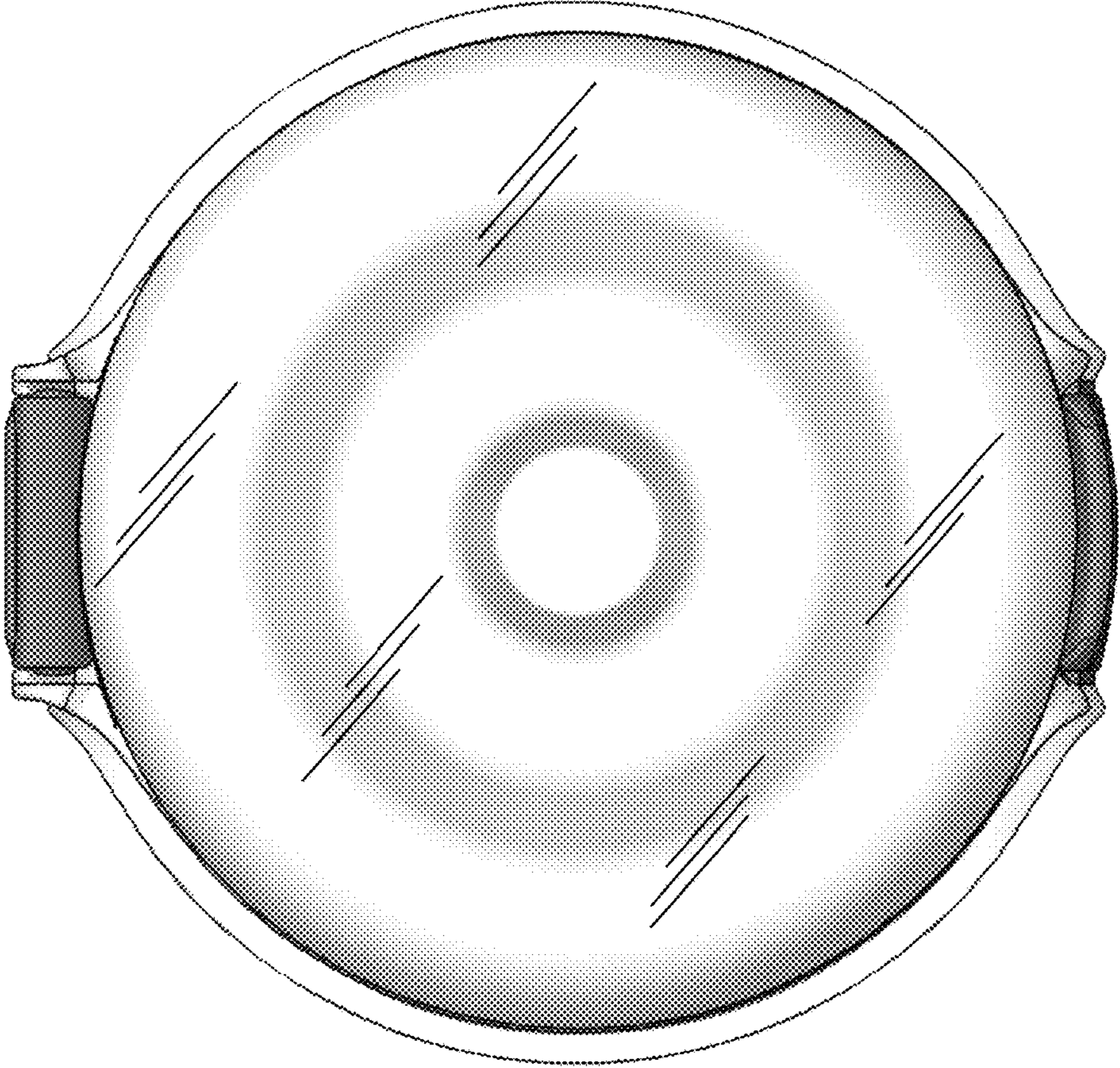


FIG. 6

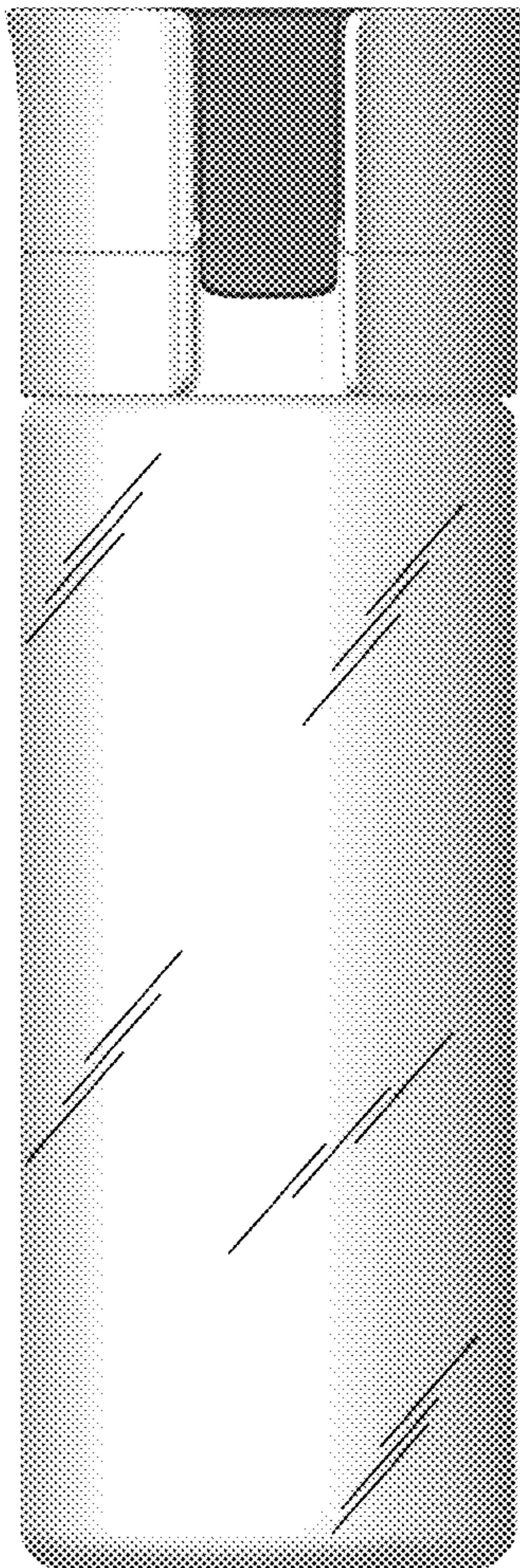


FIG. 7