



US00D798663S

(12) **United States Design Patent**  
**Matsui**

(10) **Patent No.:** **US D798,663 S**

(45) **Date of Patent:** **\*\* Oct. 3, 2017**

(54) **BEVERAGE CONTAINER HOUSING**

(71) Applicant: **MISAINÉ TRADE, INC.**, Torrance,  
CA (US)

(72) Inventor: **Hiroataka Matsui**, Lomita, CA (US)

(73) Assignee: **MISAINÉ TRADE, INC.**, Torrance,  
CA (US)

(\*\*) Term: **15 Years**

(21) Appl. No.: **29/526,793**

(22) Filed: **May 13, 2015**

(51) **LOC (10) Cl.** ..... **07-01**

(52) **U.S. Cl.**

USPC ..... **D7/507**; D7/523; D7/532

(58) **Field of Classification Search**

USPC ..... D7/507, 509, 523, 524, 525, 526, 527,  
D7/528, 530, 531, 532, 533, 536, 537,  
D7/503, 510, 514, 515, 512, 608;  
220/592.16, 502.17, 495.03, 740;  
D3/202; D30/130, 121; 206/307, 217,  
206/509; D9/424

CPC ..... A47G 19/22; A47G 19/2205; A47G  
19/2227; A47G 23/0233; A45F 3/20;  
B65D 1/265

See application file for complete search history.

(56) **References Cited**

**U.S. PATENT DOCUMENTS**

D4,260 S \* 7/1870 Ice ..... D9/503  
2,051,446 A \* 8/1936 Ice ..... A47G 19/2288  
215/12.1  
2,276,678 A \* 3/1942 Wheeler ..... B65D 51/28  
206/216  
2,368,273 A \* 1/1945 Tibbetts ..... A47G 19/2288  
156/224  
2,707,588 A \* 5/1955 Amberg ..... B65D 43/0218  
229/125.17  
2,863,585 A \* 12/1958 Meshberg ..... A47G 19/2288  
215/12.1

3,205,677 A \* 9/1965 Stoner ..... A47G 19/2288  
206/519  
3,766,975 A \* 10/1973 Todd ..... A47G 19/2288  
126/400  
4,163,374 A \* 8/1979 Moore ..... B65D 81/3883  
220/592.01  
D273,651 S \* 5/1984 Emrick ..... D7/523  
4,582,197 A \* 4/1986 Lin ..... B65D 85/78  
206/217

(Continued)

**OTHER PUBLICATIONS**

<http://store.starbucks.com/Stainless-Steel-Create-Your-Own-Tumb>  
May 2013.\*

(Continued)

*Primary Examiner* — Marianne Pandozzi

*Assistant Examiner* — Jae Liang

(74) *Attorney, Agent, or Firm* — Knobbe Martens Olson  
& Bear, LLP

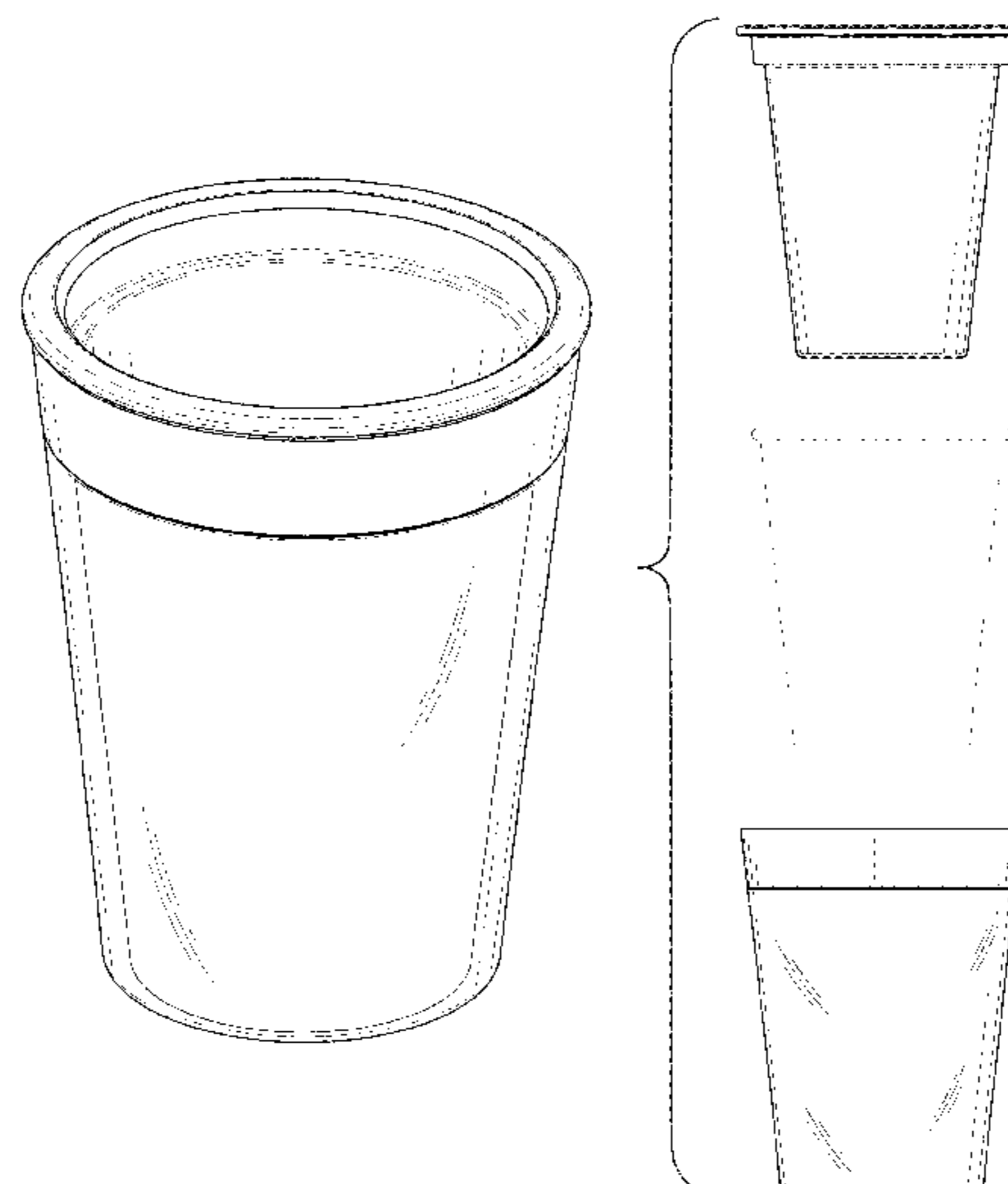
(57) **CLAIM**

The ornamental design for a beverage container housing, as  
shown and described.

**DESCRIPTION**

FIG. 1 is a top side perspective view of a beverage container  
housing showing my new design;  
FIG. 2 is a top perspective view thereof;  
FIG. 3 is a bottom perspective view thereof;  
FIG. 4 is a top view thereof;  
FIG. 5 is a bottom view thereof;  
FIG. 6 is an exploded perspective view thereof;  
FIG. 7 is a side view thereof; and,  
FIG. 8 is an exploded side view thereof.  
The broken lines in the drawings depict environmental  
subject matter of the beverage container housing that forms  
no part of the claimed design.

**1 Claim, 5 Drawing Sheets**



(56)

References Cited

U.S. PATENT DOCUMENTS

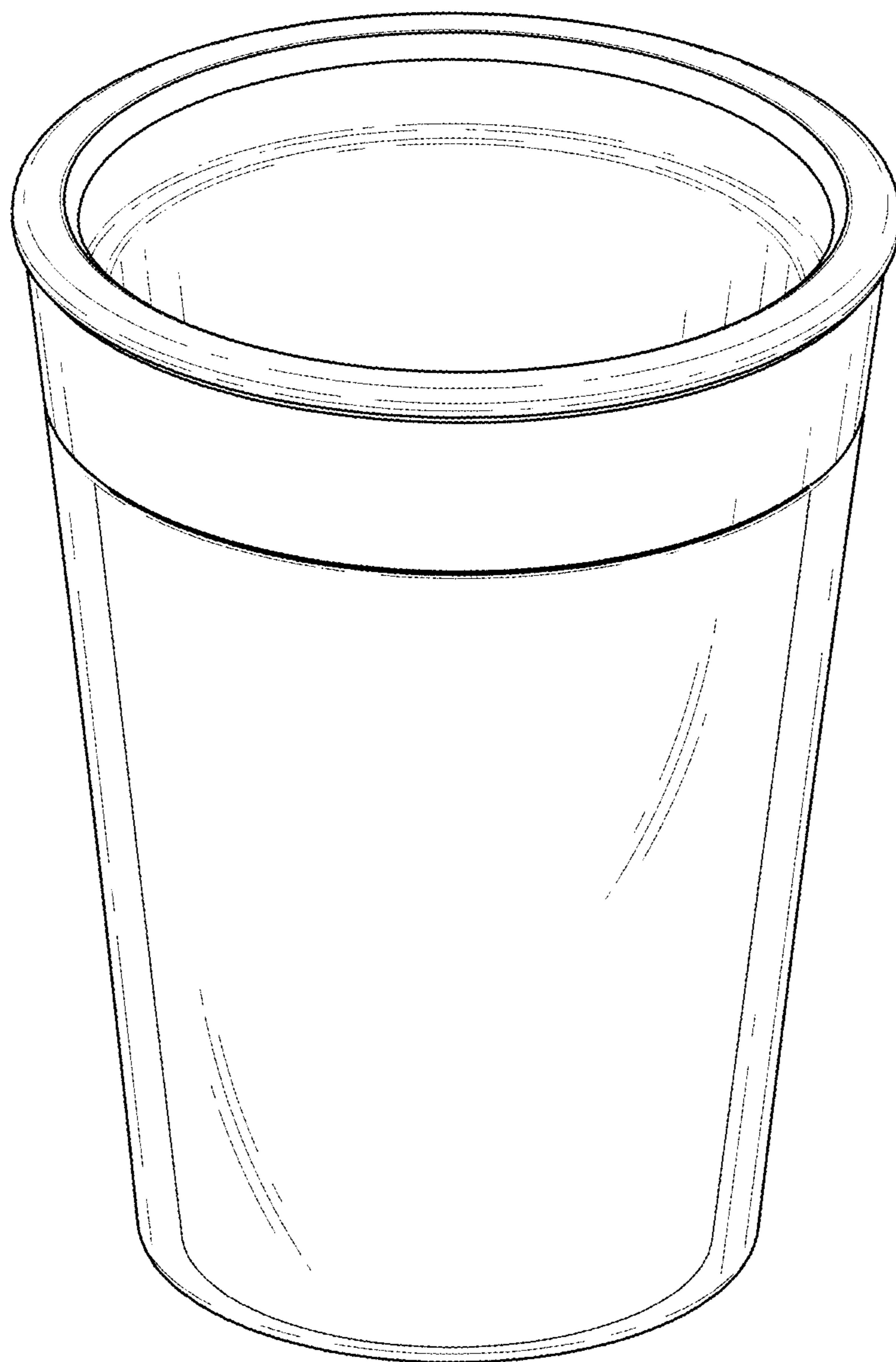
5,076,463 A \* 12/1991 McGraw ..... A47G 19/2288  
126/400  
5,092,485 A \* 3/1992 Lee ..... B65D 3/22  
229/403  
5,275,277 A \* 1/1994 Gallegos ..... A47G 19/2227  
206/217  
D364,317 S \* 11/1995 Humphrey ..... D7/510  
D400,397 S \* 11/1998 Stephan ..... D7/510  
5,938,015 A \* 8/1999 Candy ..... B65D 51/246  
206/217  
6,467,644 B1 \* 10/2002 Yeh ..... A47G 19/2227  
215/10  
6,528,105 B1 \* 3/2003 Gerhart ..... B65D 81/3227  
206/217  
6,562,270 B1 \* 5/2003 Gannon ..... A47G 23/0216  
220/628  
D480,919 S \* 10/2003 Bin ..... D7/510  
D488,672 S \* 4/2004 Oas ..... D7/507  
D553,437 S \* 10/2007 Bodum ..... D7/509  
D587,528 S \* 3/2009 Trombly ..... D7/536  
7,631,781 B2 \* 12/2009 Chen ..... A47G 19/2227  
206/217  
D618,964 S \* 7/2010 Eisenhardt ..... D7/509  
D635,399 S \* 4/2011 DelVecchio ..... D7/509  
7,951,057 B2 \* 5/2011 Robertson ..... B65D 81/3874  
220/739

8,033,412 B2 \* 10/2011 Mayo ..... B65D 81/3869  
206/459.5  
D656,009 S \* 3/2012 Ortiz ..... D9/500  
D688,523 S \* 8/2013 Lees ..... D7/510  
D693,645 S \* 11/2013 Keyes ..... D7/523  
8,757,421 B2 \* 6/2014 Yang ..... B65D 51/246  
206/223  
8,815,318 B2 \* 8/2014 Zoss ..... B65D 51/247  
206/219  
D724,386 S \* 3/2015 Royer ..... D7/523  
D744,280 S \* 12/2015 Chiang ..... D7/510  
D744,780 S \* 12/2015 Lindsay ..... D7/510  
D753,491 S \* 4/2016 Trombetta ..... D9/503  
D757,497 S \* 5/2016 Bodum ..... D7/509  
D772,013 S \* 11/2016 O'Connor ..... D7/509  
2007/0181591 A1 \* 8/2007 Pierce ..... B65D 43/022  
220/801  
2008/0006643 A1 \* 1/2008 Ma ..... A47J 41/0011  
220/592.16  
2013/0134677 A1 \* 5/2013 McDonnell ..... A63F 9/00  
273/398  
2014/0377413 A1 \* 12/2014 Liu ..... B65D 85/8043  
426/115

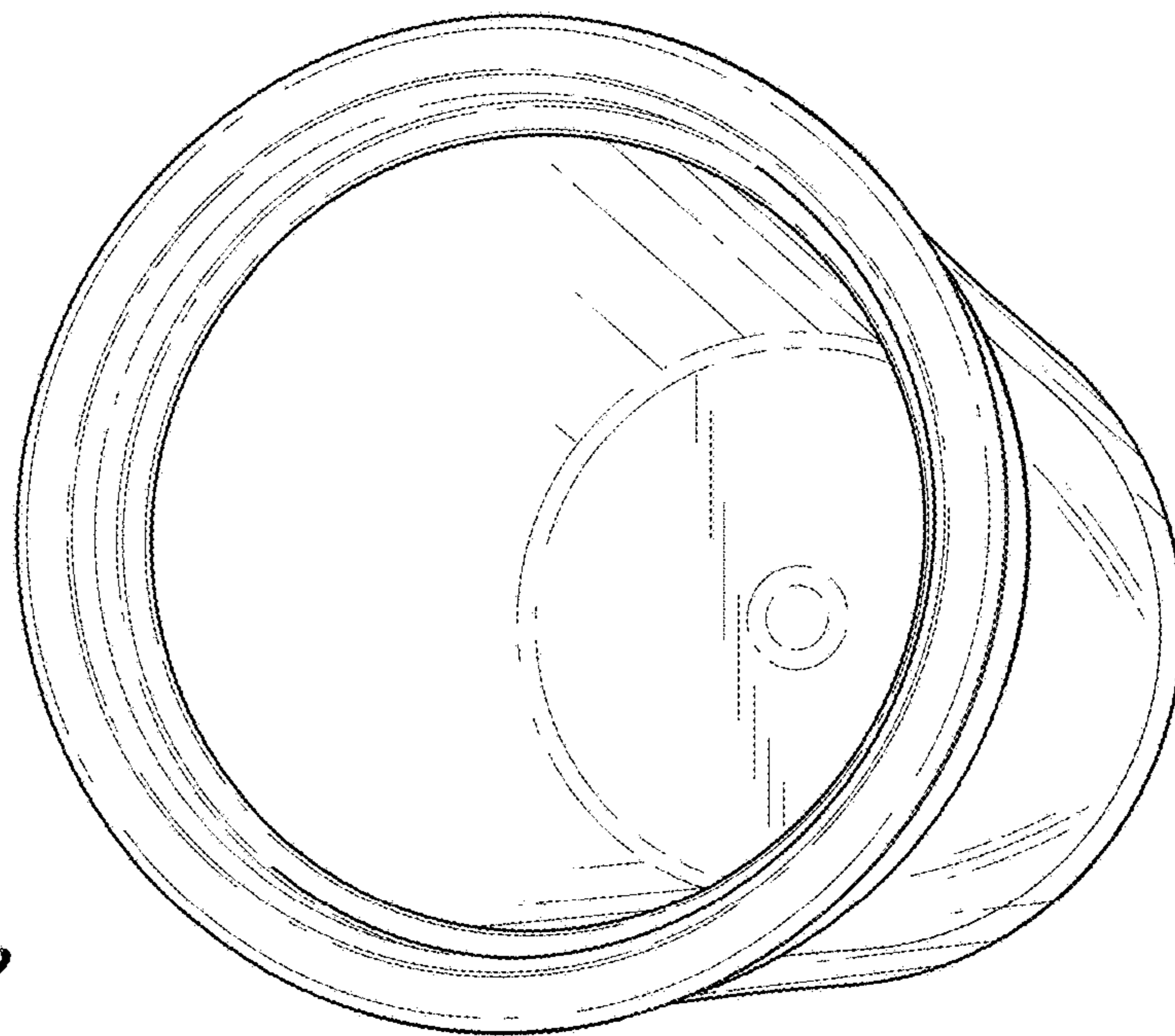
OTHER PUBLICATIONS

[http://www.orientaltrading.com/web/browse/  
processProductsCatalog](http://www.orientaltrading.com/web/browse/processProductsCatalog) Mar. 2012.\*

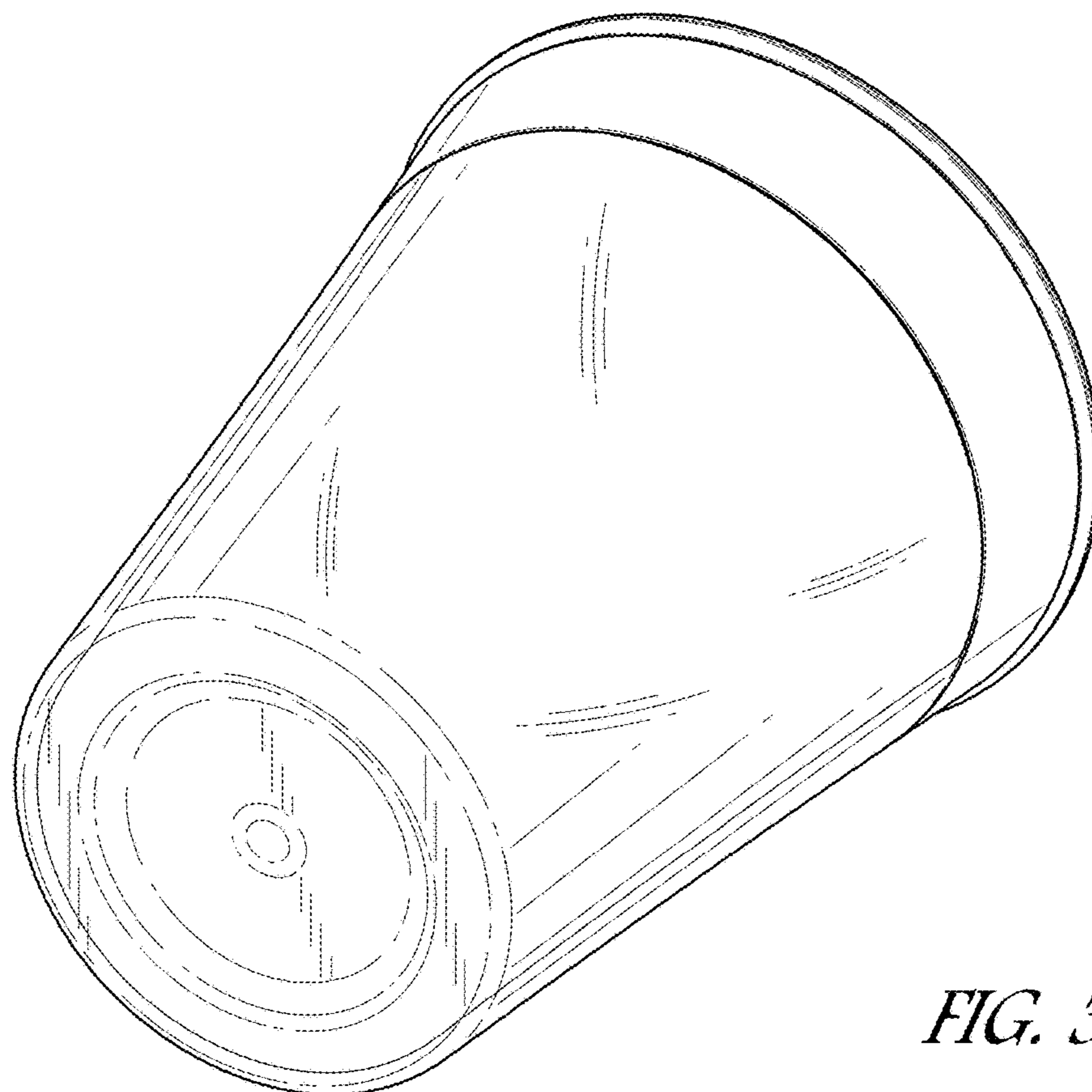
\* cited by examiner



*FIG. 1*

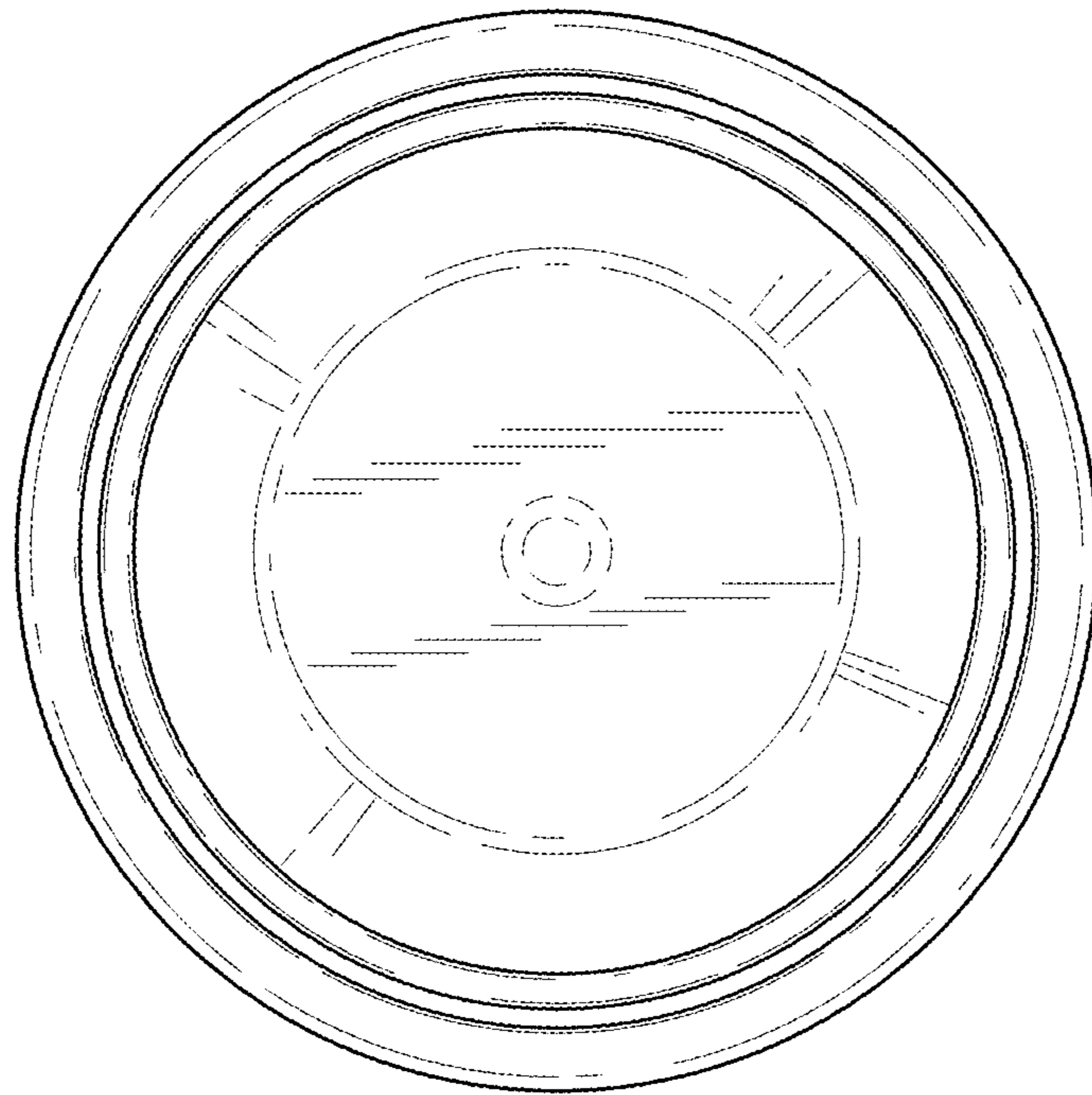


*FIG. 2*

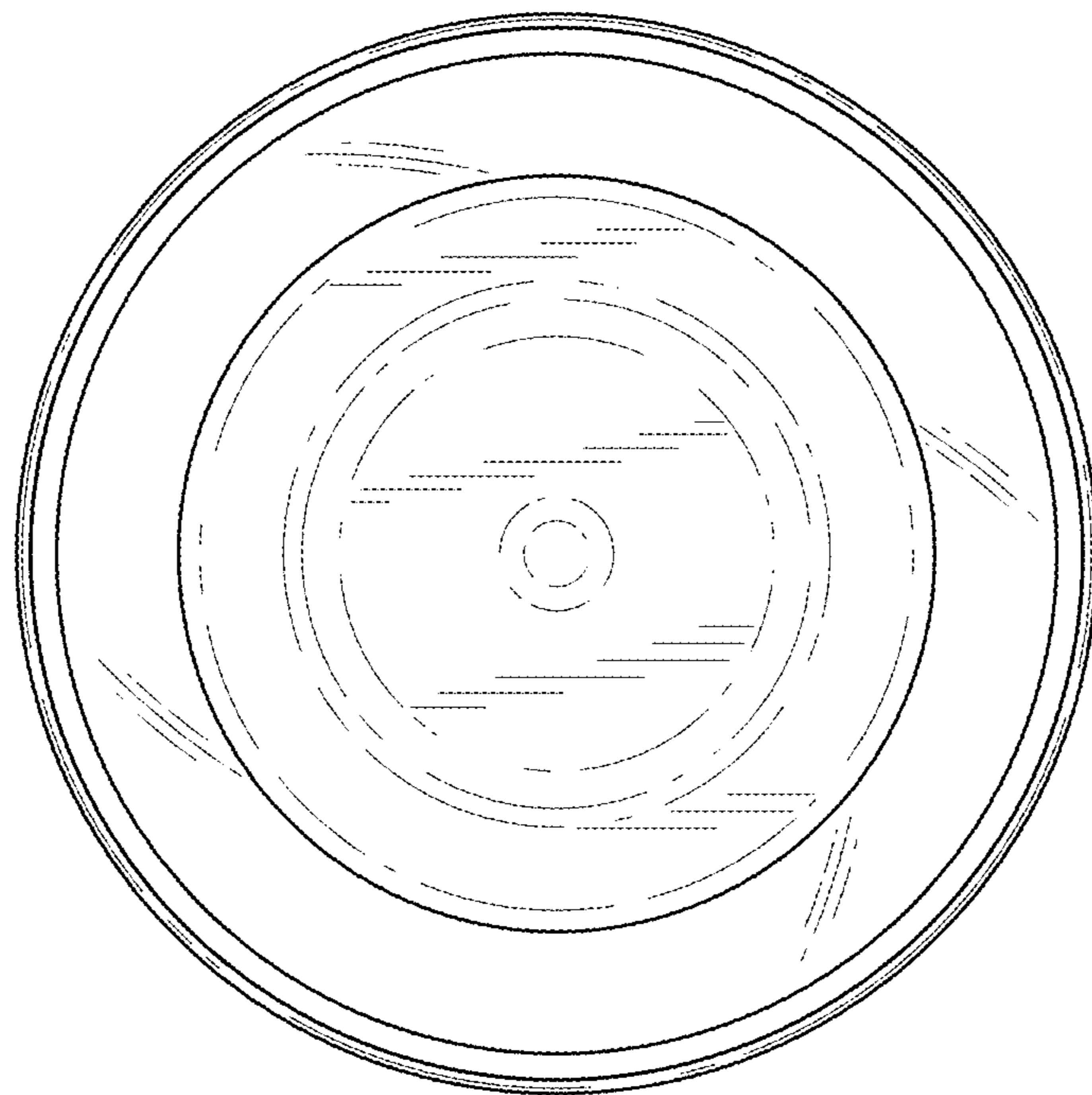


*FIG. 3*

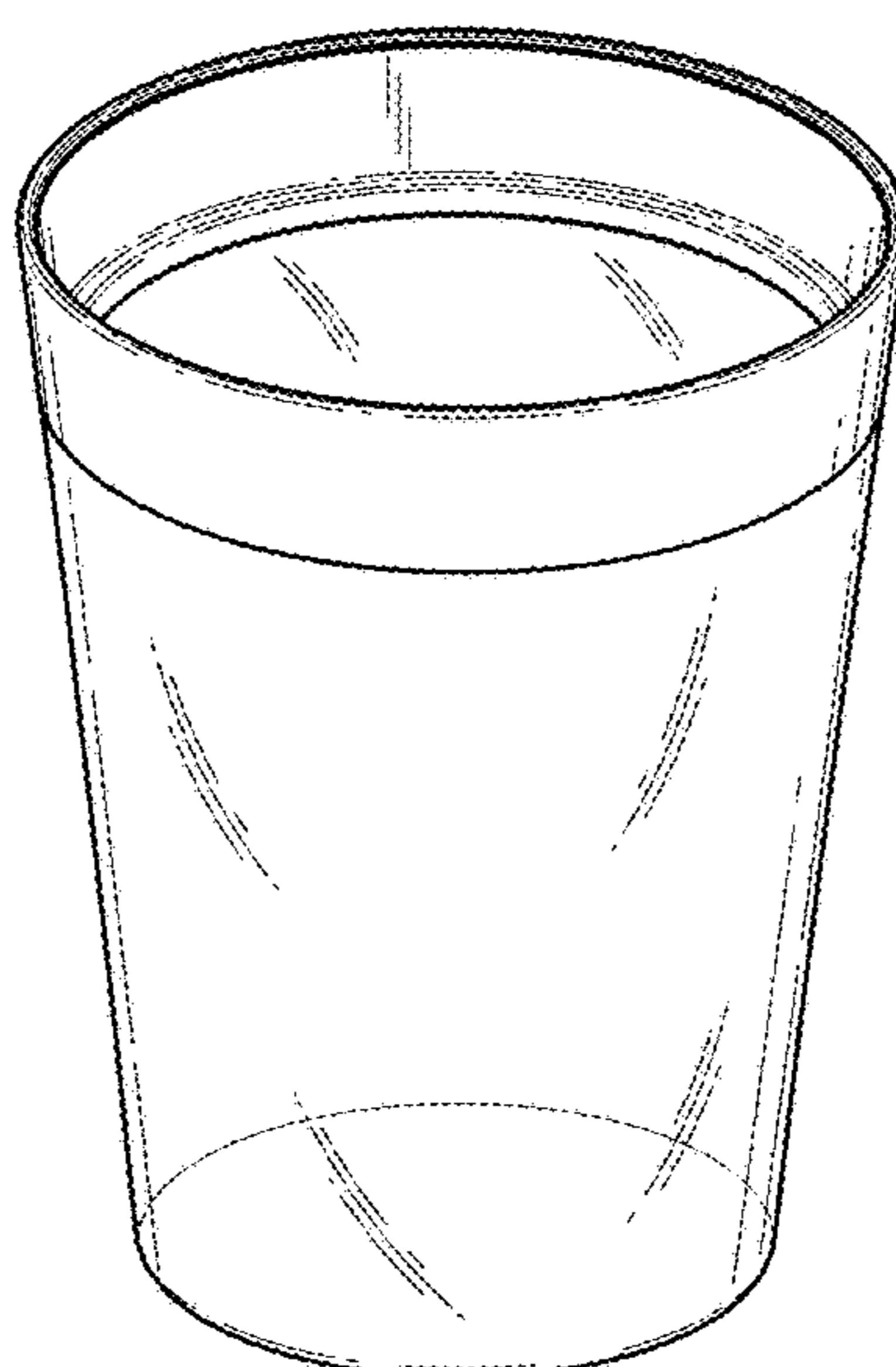
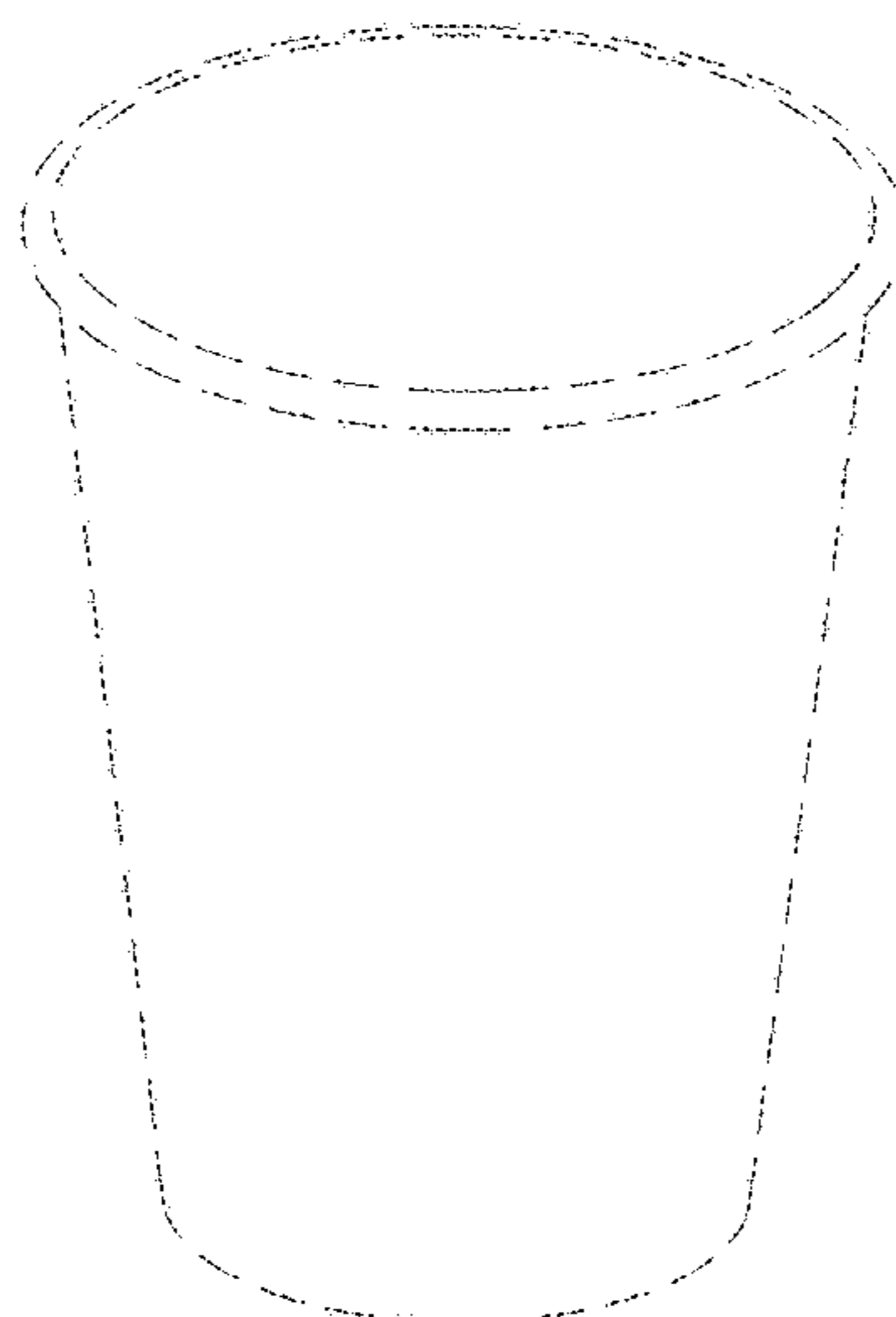
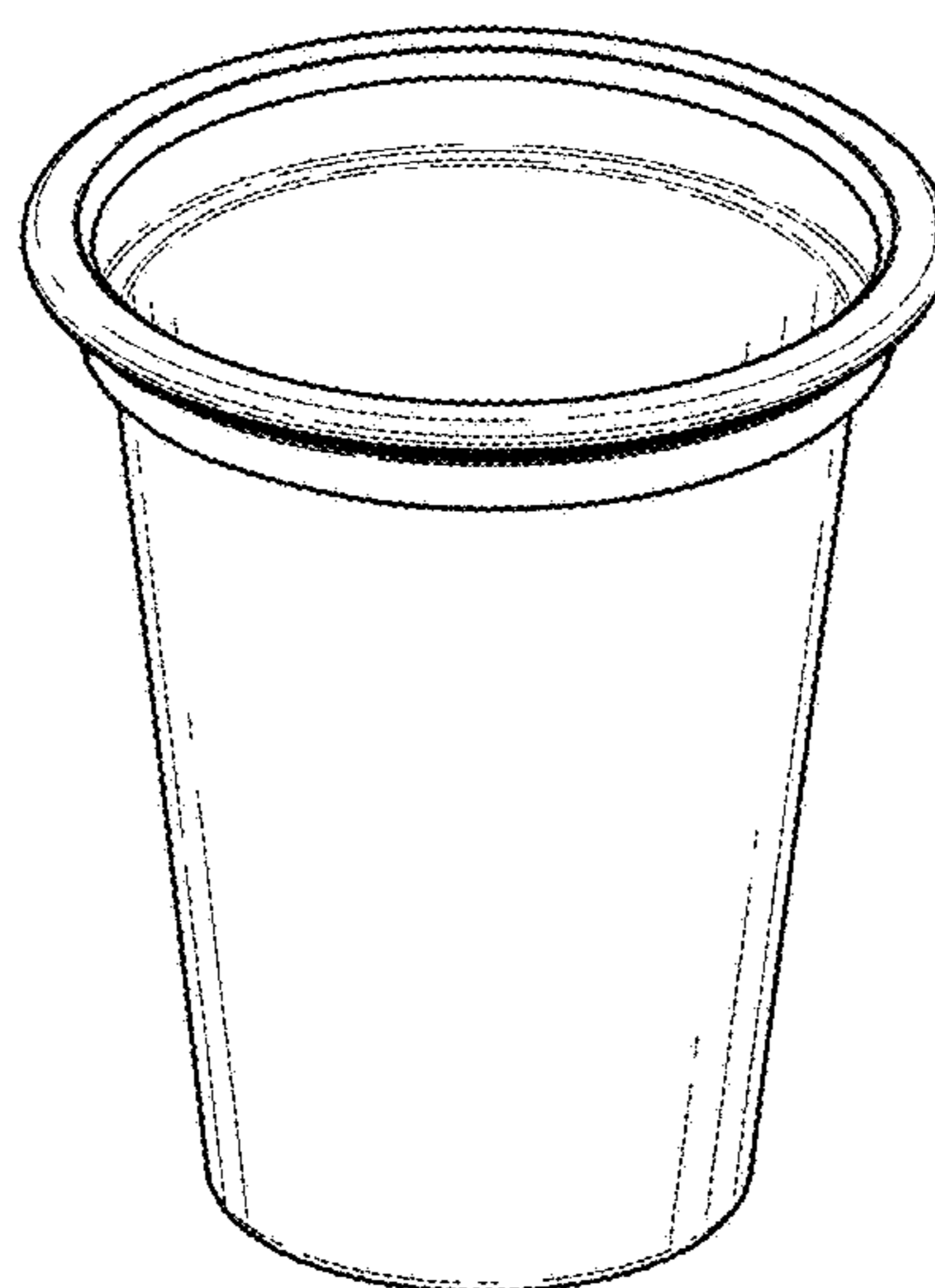




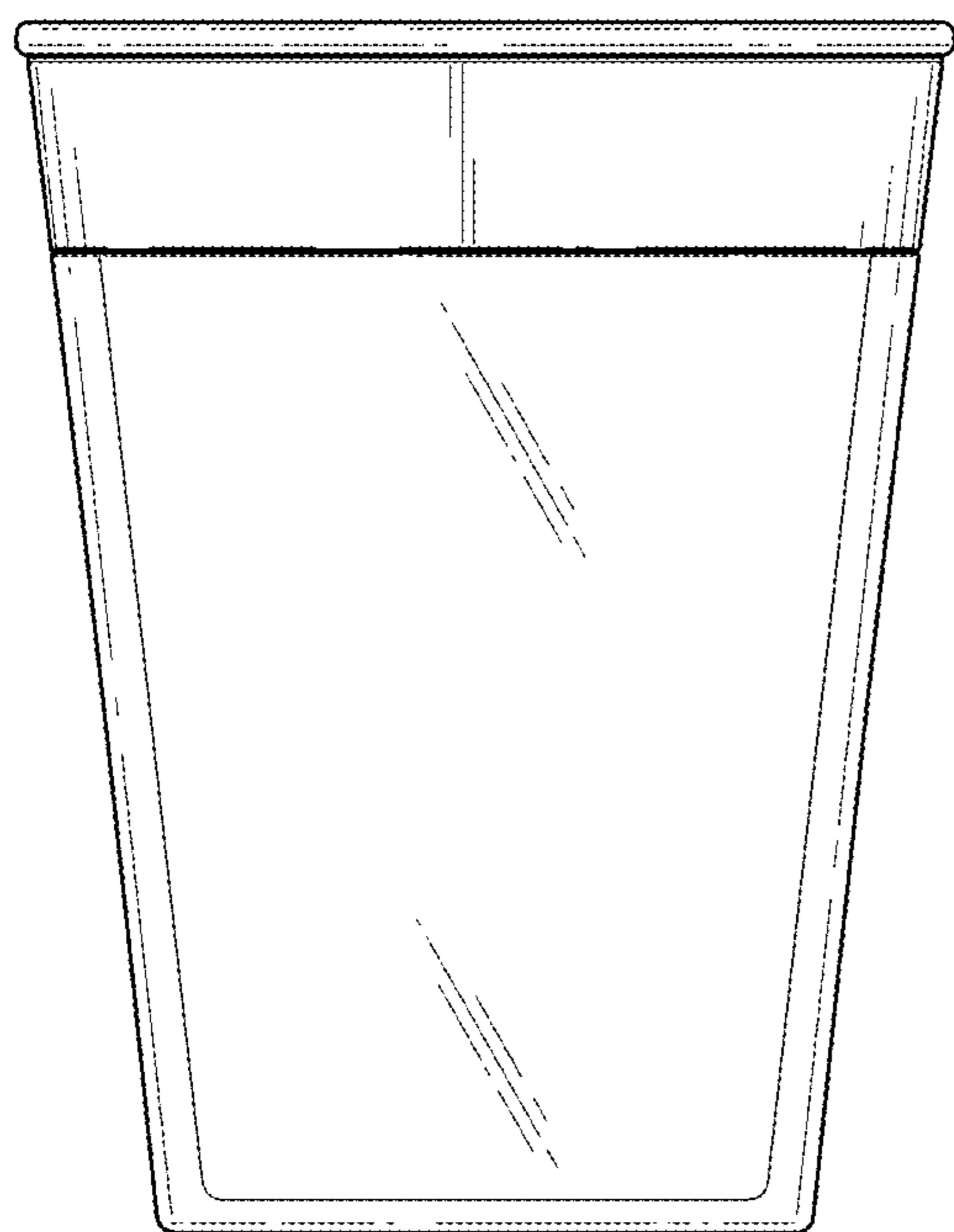
*FIG. 4*



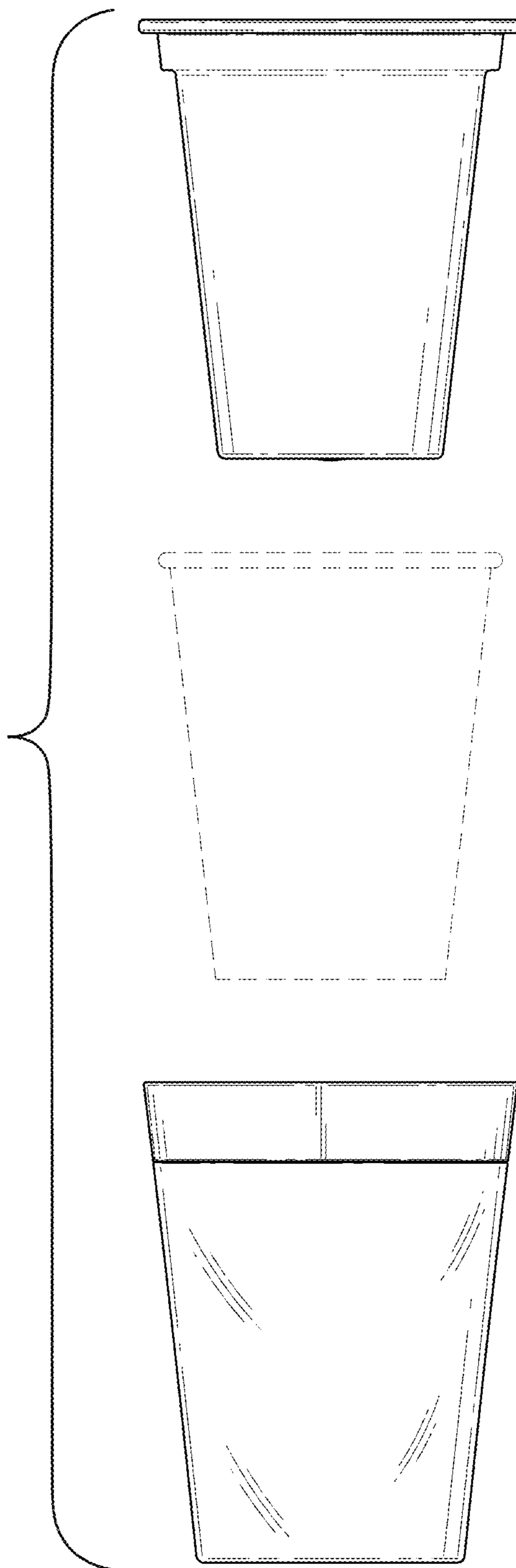
*FIG. 5*



*FIG. 6*



*FIG. 7*



*FIG. 8*