

US00D798660S

(12) **United States Design Patent** (10) **Patent No.:** **US D798,660 S**
Nadal (45) **Date of Patent:** **** Oct. 3, 2017**

(54) **CYLINDRICAL SHAPED SOLID FUEL COOKING DEVICE INCLUDING SOLID COVER**

(71) Applicant: **Fire Butler, LLC**, Beverly Hills, FL (US)

(72) Inventor: **Vincent T. Nadal**, Beverly Hills, FL (US)

(73) Assignee: **FIRE BUTLER, LLC**, Beverly Hills, FL (US)

(**) Term: **15 Years**

(21) Appl. No.: **29/541,955**

(22) Filed: **Oct. 9, 2015**

(51) **LOC (10) Cl.** **07-02**

(52) **U.S. Cl.**
USPC **D7/407**; D7/332; D7/409

(58) **Field of Classification Search**

USPC D7/323-337, 402-407, 362, 416, 417, D7/357, 408; 126/25 R, 9 R; D23/343, D23/415, 350, 348, 403, 409, 416, 418, D23/419; D22/112; D26/8
CPC A47J 33/00; A47J 37/04; A47J 37/041; A47J 37/07-37/0713; A47J 37/0731; A47J 37/074; A47J 37/0781; A47J 2037/0777; A47J 37/0786; A47J 37/079; A47J 36/26; A47J 36/36; F24B 1/02; F24B 1/022; F24B 1/18; F24B 1/182; F24B 1/202; F24B 1/181; F24C 3/14; F24C 1/16; F24C 15/10; F23D 14/00-14/10; F23D 91/00; B05B 17/08
See application file for complete search history.

(56) **References Cited**

U.S. PATENT DOCUMENTS

1,042,273 A 10/1912 Roe
1,447,029 A 2/1923 Manchester

2,894,448 A 7/1959 Henderson et al.
3,217,634 A 11/1965 Fox
3,688,758 A 9/1972 Stephen et al.
3,765,397 A 10/1973 Henderson
D229,277 S 11/1973 Ming-Kong
D244,985 S 7/1977 Folke
D249,448 S 9/1978 Vache
4,430,985 A 2/1984 Huneycutt
4,592,334 A 6/1986 Logan, Jr.
D286,002 S * 10/1986 Brix D7/332
4,777,927 A 10/1988 Stephen et al.
5,074,279 A 12/1991 Sainsbury

(Continued)

OTHER PUBLICATIONS

Product Details Part #307416, "Rapidfire® Chimney Starter," downloaded Oct. 8, 2015, pp. 1-6.

Primary Examiner — Susan Bennett Hattan

Assistant Examiner — Brett Miller

(74) *Attorney, Agent, or Firm* — Allen, Dyer, Doppelt + Gilchrist, P.A.

(57) **CLAIM**

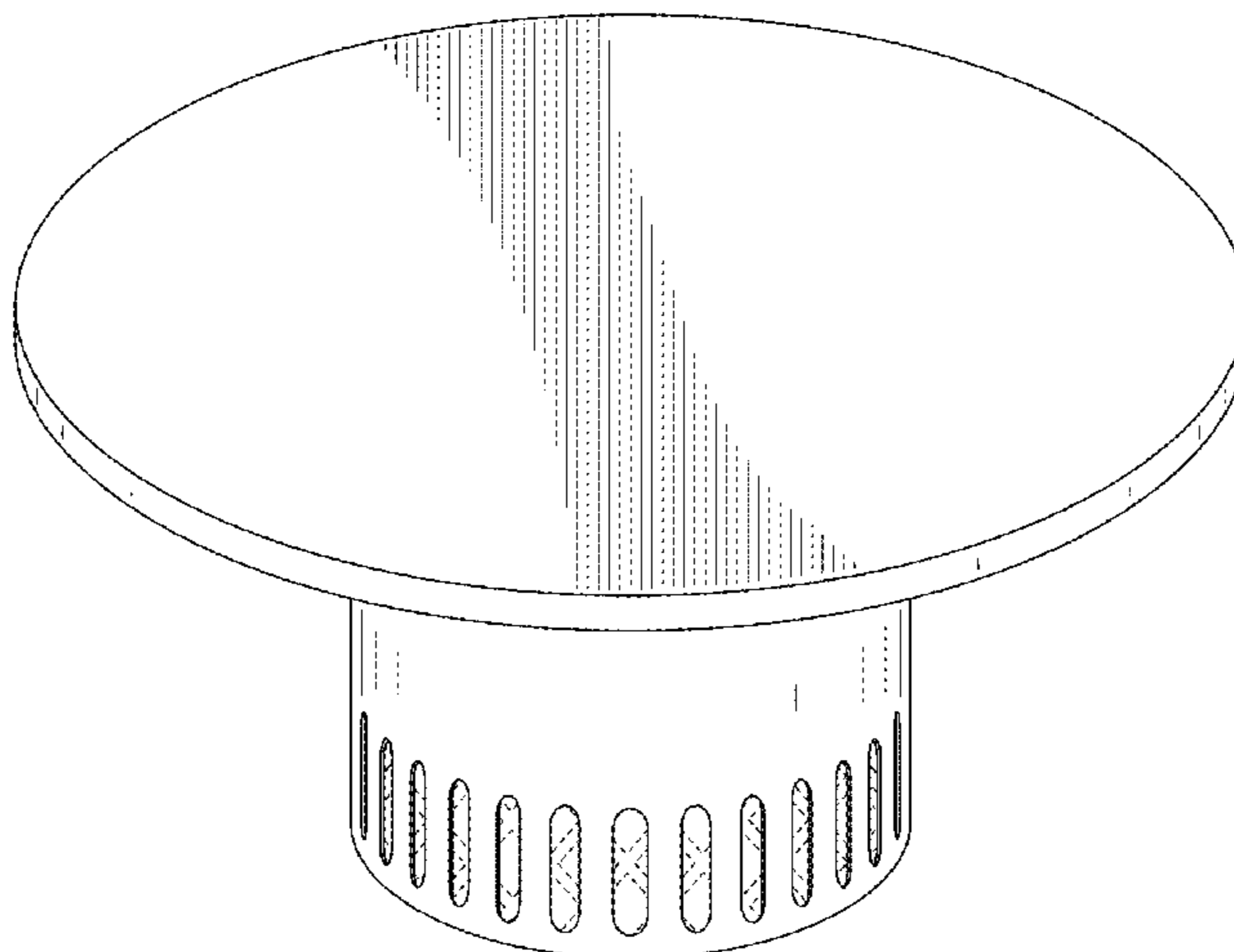
The ornamental design for a cylindrical shaped solid fuel cooking device including solid cover, as shown and described.

DESCRIPTION

FIG. 1 is a perspective view thereof in a solid-fuel cooker; FIG. 2 is a perspective view thereof; FIG. 3 is a perspective view thereof with the cover thereof removed; FIG. 4 is a side view thereof; FIG. 5 is a top view thereof with the cover removed; and, FIG. 6 is a bottom view thereof.

The broken lines are included for the purpose of illustrating unclaimed portions of the solid fuel cooking device as well as unclaimed environmental structure. The broken lines in the drawings form no part of the claimed design.

1 Claim, 6 Drawing Sheets



(56)

References Cited

U.S. PATENT DOCUMENTS

5,094,221	A	3/1992	Ho	
5,404,864	A	4/1995	Kent, Jr.	
D379,900	S	6/1997	Gillam et al.	
5,687,704	A	11/1997	Lerch et al.	
5,797,386	A	8/1998	Orr	
5,964,212	A	10/1999	Thompson	
6,205,996	B1	3/2001	Ryan	
6,213,006	B1	4/2001	Reardon et al.	
6,302,096	B1	10/2001	Duncan	
6,598,598	B1	7/2003	Bratsikas	
D479,941	S	9/2003	Blanchette	
6,688,301	B1	2/2004	McNeill	
7,032,587	B2	4/2006	McNeill	
D544,753	S	6/2007	Tseng	
7,241,466	B2	7/2007	Dellinger	
D590,201	S *	4/2009	Zagar	D7/335
D627,591	S	11/2010	Wade	
8,166,870	B2	5/2012	Badin	
D680,799	S	4/2013	Chung	
8,578,927	B2	11/2013	Gustavsen	
D701,721	S *	4/2014	Jan	D7/332
8,887,709	B2 *	11/2014	Ellis	F24B 1/205
				126/9 R
D740,607	S *	10/2015	Nadal	D7/407
2005/0039612	A1	2/2005	Denny	
2006/0042475	A1	3/2006	Craig	
2007/0087297	A1	4/2007	Long	
2016/0183723	A1 *	6/2016	Nadal	A47J 37/0786
				126/25 R
2016/0183724	A1 *	6/2016	Nadal	A47J 37/0763
				126/25 R

* cited by examiner

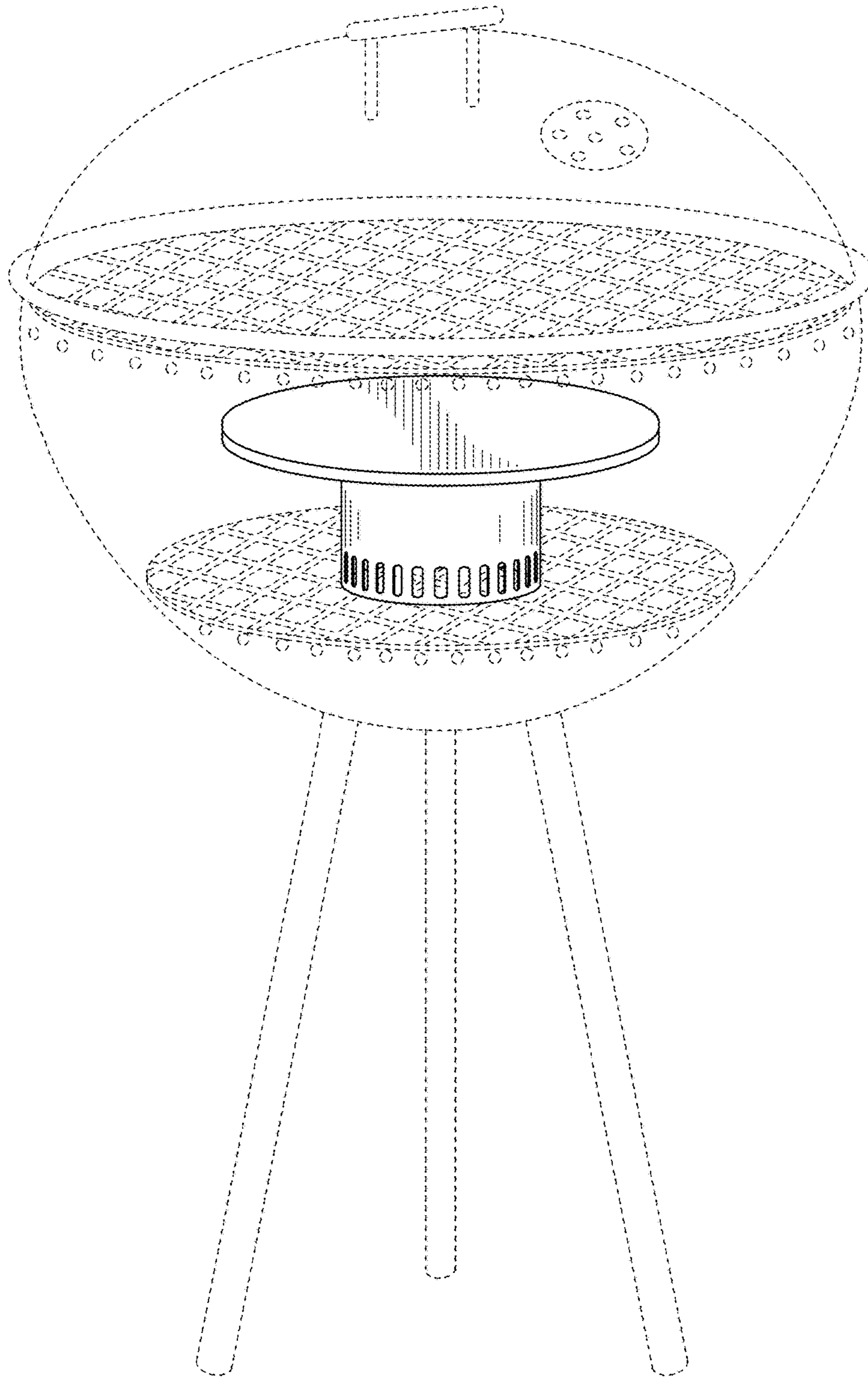


FIG. 1

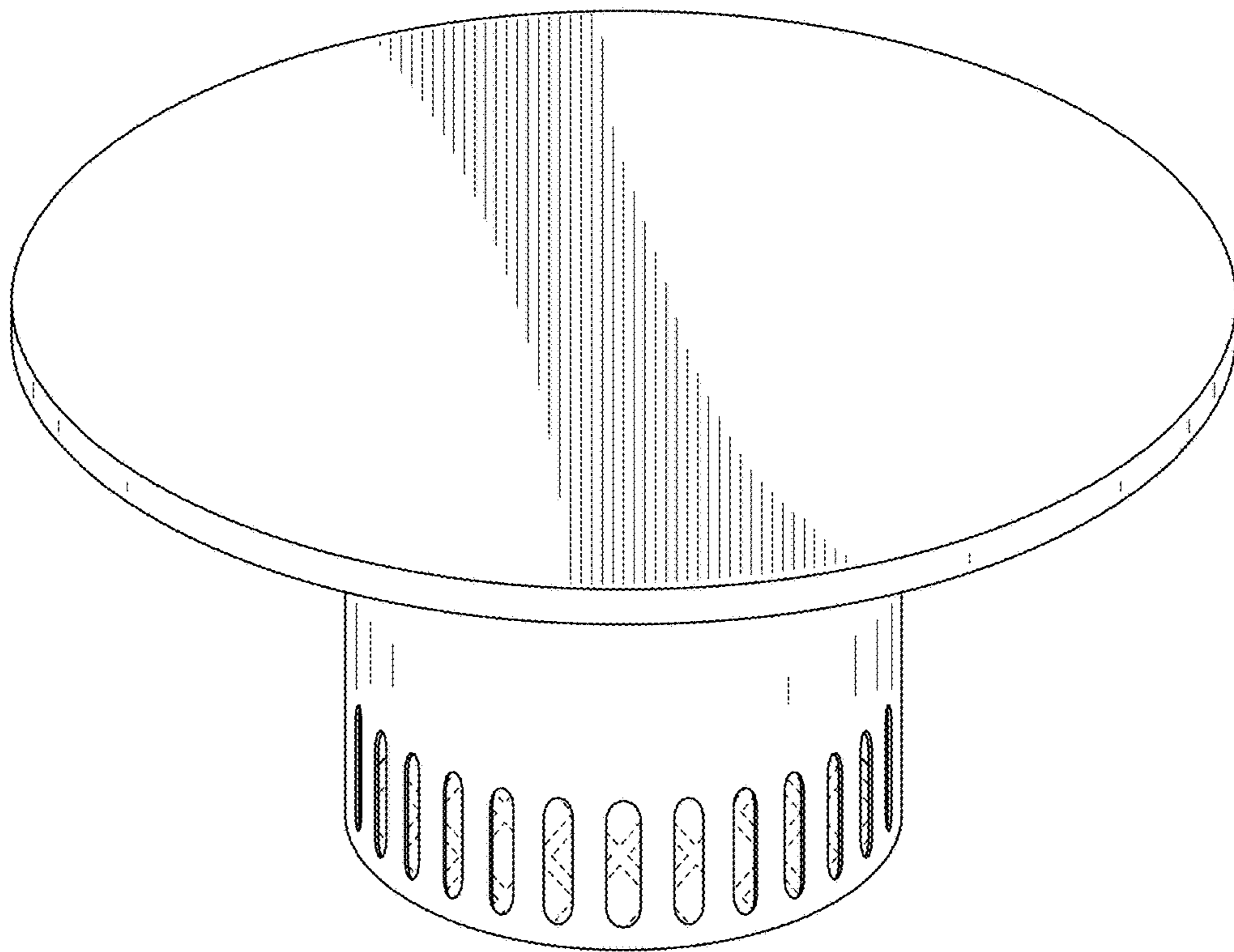


FIG. 2

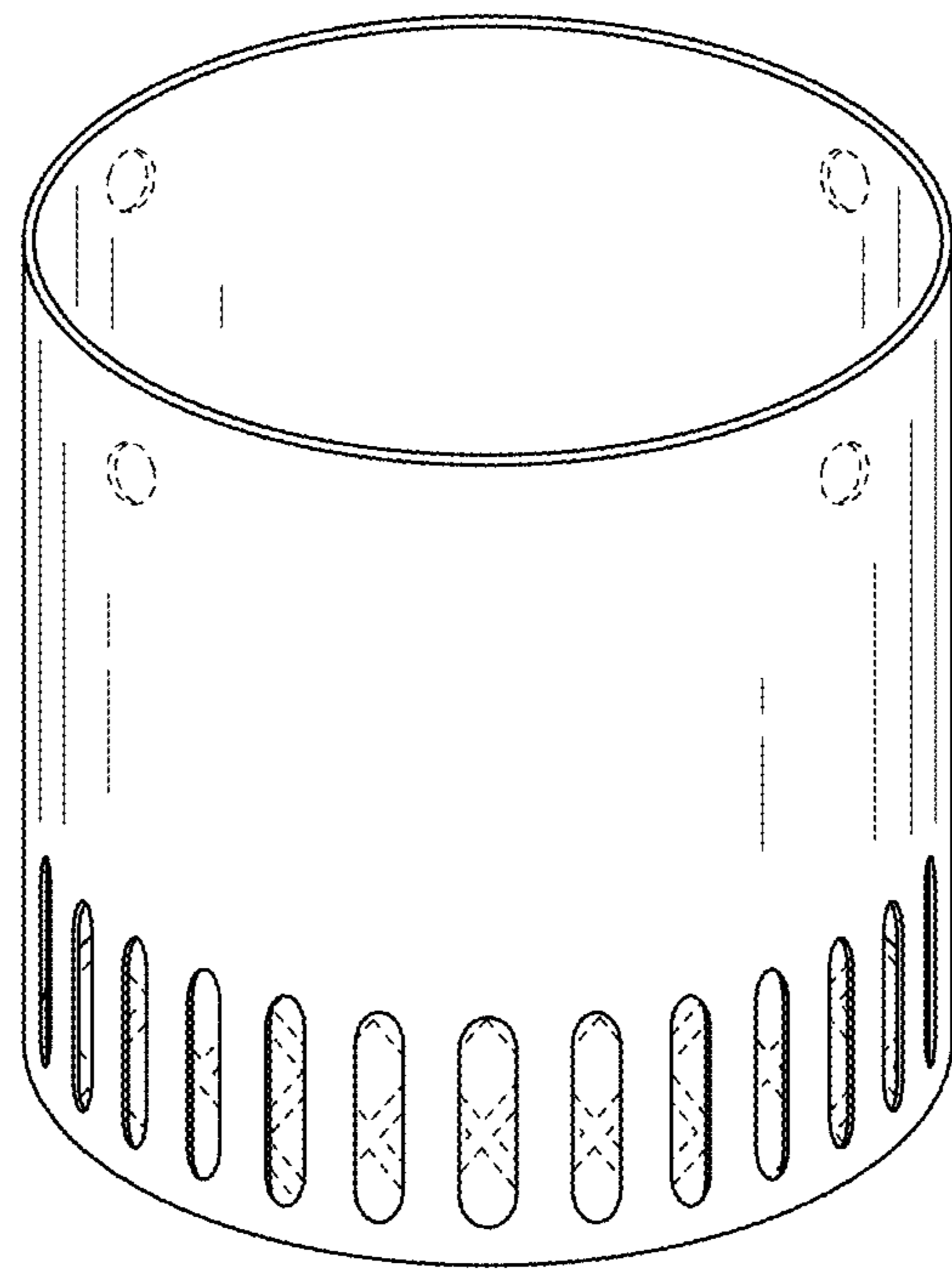


FIG. 3

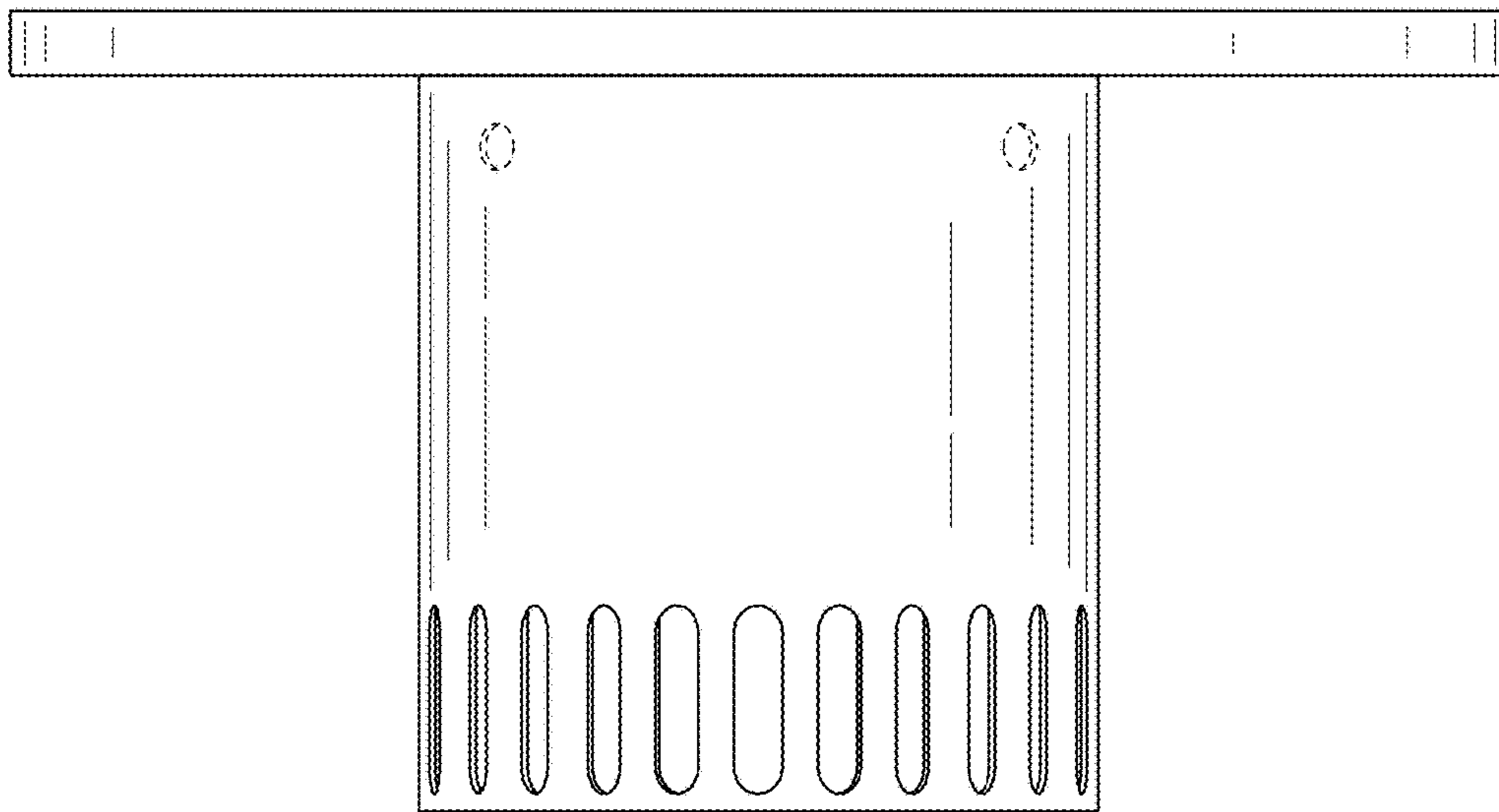


FIG. 4

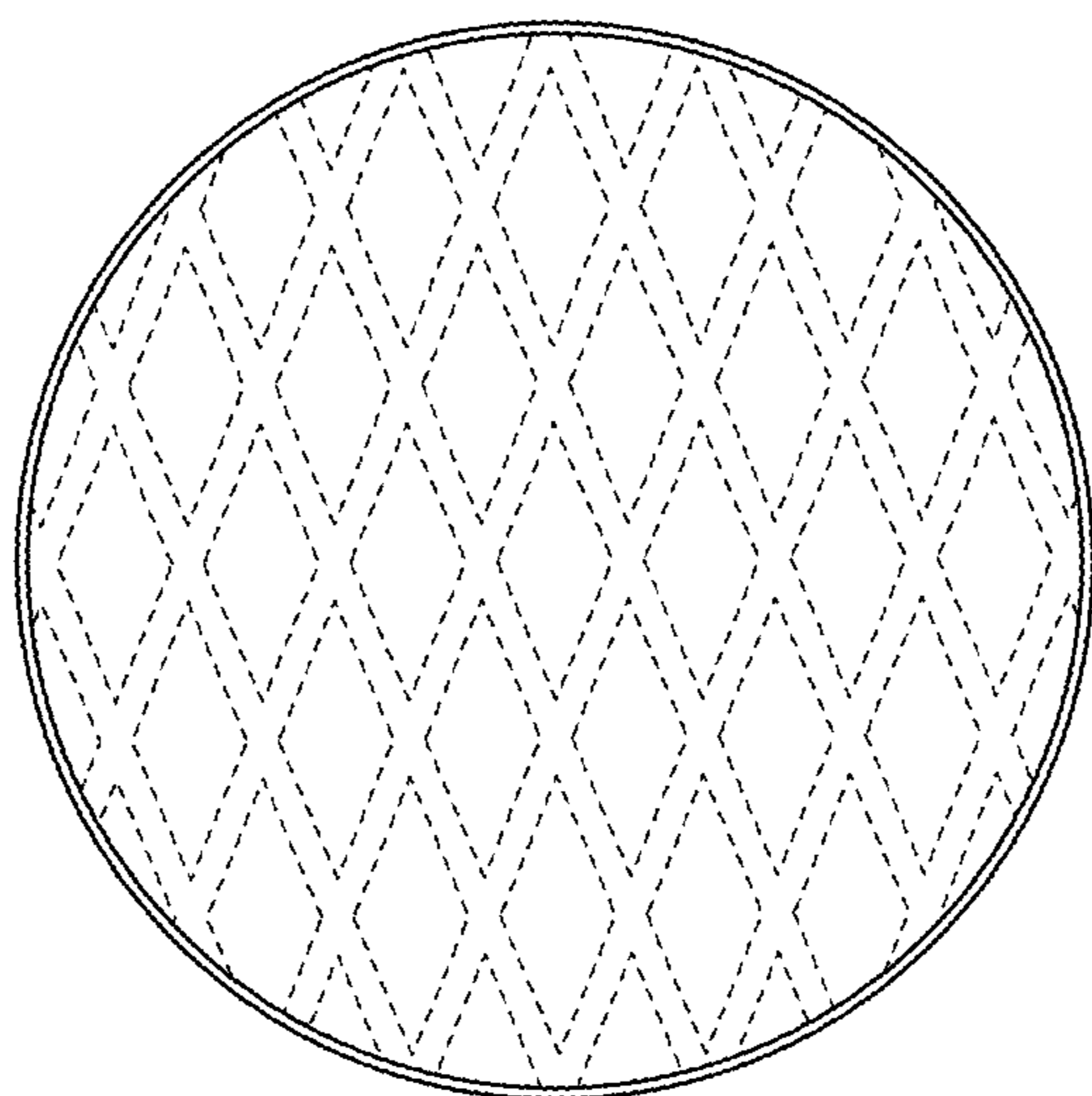


FIG. 5

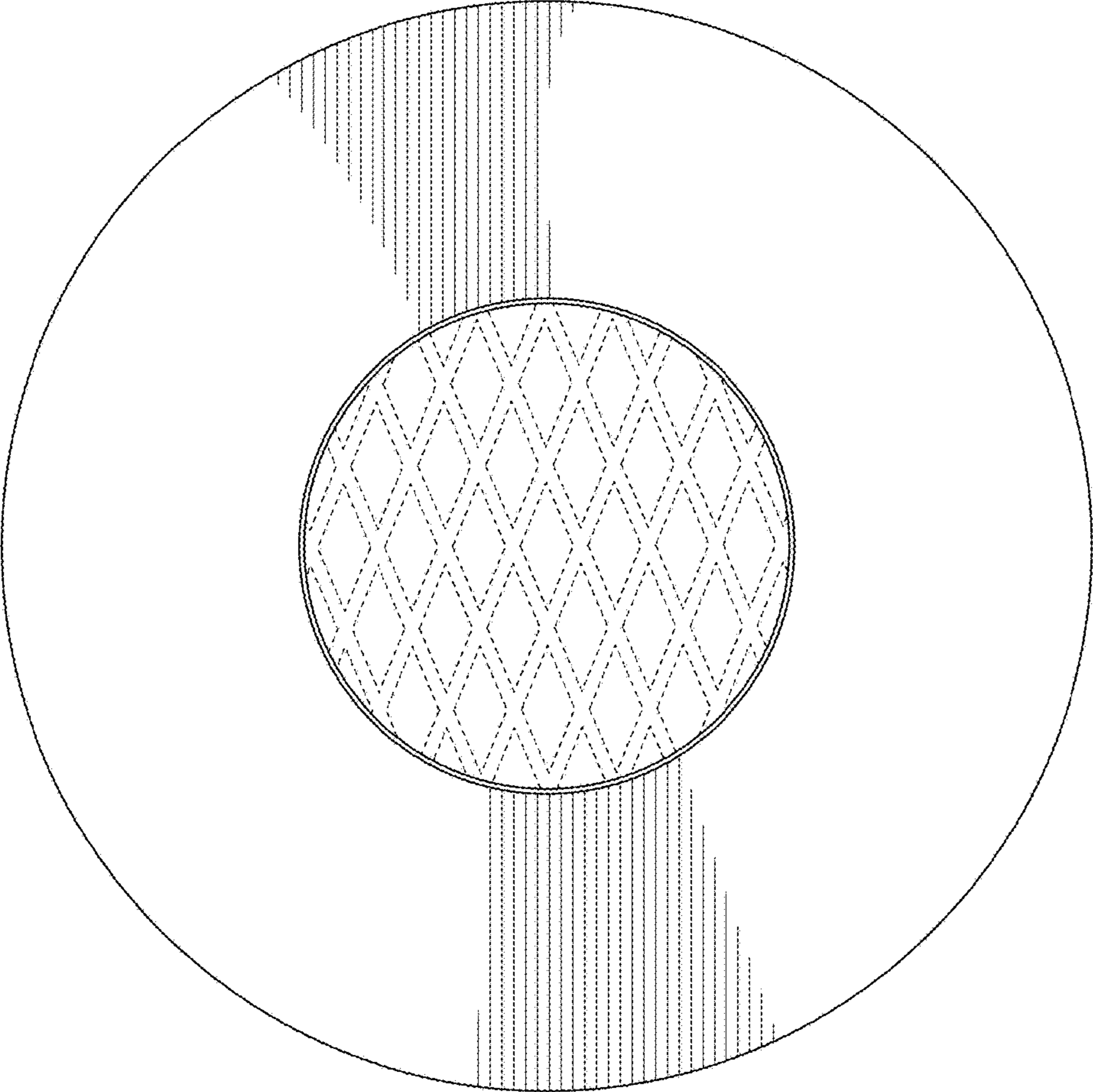


FIG. 6