



US00D798657S

(12) **United States Design Patent**
Lin

(10) **Patent No.:** **US D798,657 S**

(45) **Date of Patent:** **** Oct. 3, 2017**

(54) **FAUCET**

(71) Applicant: **Dongsheng Lin**, Ningbo (CN)

(72) Inventor: **Dongsheng Lin**, Ningbo (CN)

(73) Assignee: **Dongsheng Lin**, Ningbo (CN)

(**) Term: **15 Years**

(21) Appl. No.: **29/560,891**

(22) Filed: **Apr. 12, 2016**

(30) **Foreign Application Priority Data**

Jan. 29, 2016 (CN) 2016 3 0034005

(51) **LOC (10) Cl.** **07-01**

(52) **U.S. Cl.**

USPC **D7/398**

(58) **Field of Classification Search**

USPC D7/398, 313, 315; D23/249, 255, 257

CPC B67D 3/00; B65D 63/00; B21D 39/00;

A23L 1/00; A47J 37/12; E03B 1/00;

F16L 35/00; B05B 1/28

See application file for complete search history.

(56) **References Cited**

U.S. PATENT DOCUMENTS

D189,904 S * 3/1961 Seltsam D7/398

3,104,089 A * 9/1963 Seltsam B67D 1/1466

16/441

3,910,461 A * 10/1975 Eager B65D 11/16

220/592.19

4,638,928 A * 1/1987 Webster A47J 31/50

126/384.1

D378,400 S * 3/1997 Kowalics D7/398

D612,658 S * 3/2010 Schenk D7/313

D708,000 S * 7/2014 Liu D7/313

D735,526 S * 8/2015 Chase D7/398

* cited by examiner

Primary Examiner — Robert A Delehanty

(74) *Attorney, Agent, or Firm* — Gokalp Bayramoglu

(57) **CLAIM**

The ornamental design for a faucet, as shown and described.

DESCRIPTION

The patent or application file contains at least one drawing executed in color. Copies of this patent or patent application publication with color drawing(s) will be provided by the Office upon request and payment of the necessary fee.

FIG. 1 is a front view of the faucet;

FIG. 2 is a back view of the faucet;

FIG. 3 is a left side view of the faucet;

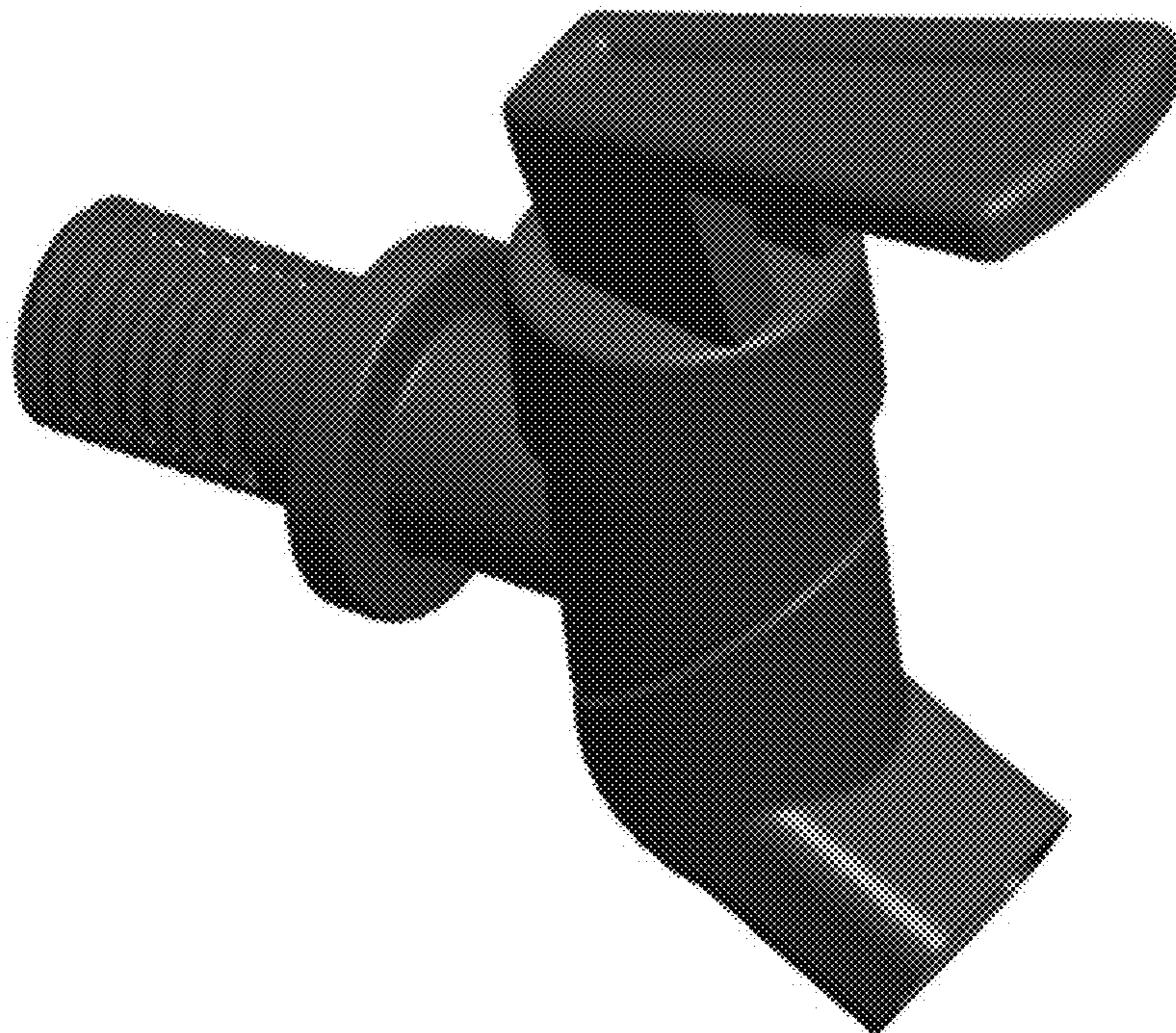
FIG. 4 is a right side view of the faucet;

FIG. 5 is a top view of the faucet;

FIG. 6 is a bottom view of the faucet; and,

FIG. 7 is a perspective view of the faucet.

1 Claim, 7 Drawing Sheets
(7 of 7 Drawing Sheet(s) Filed in Color)



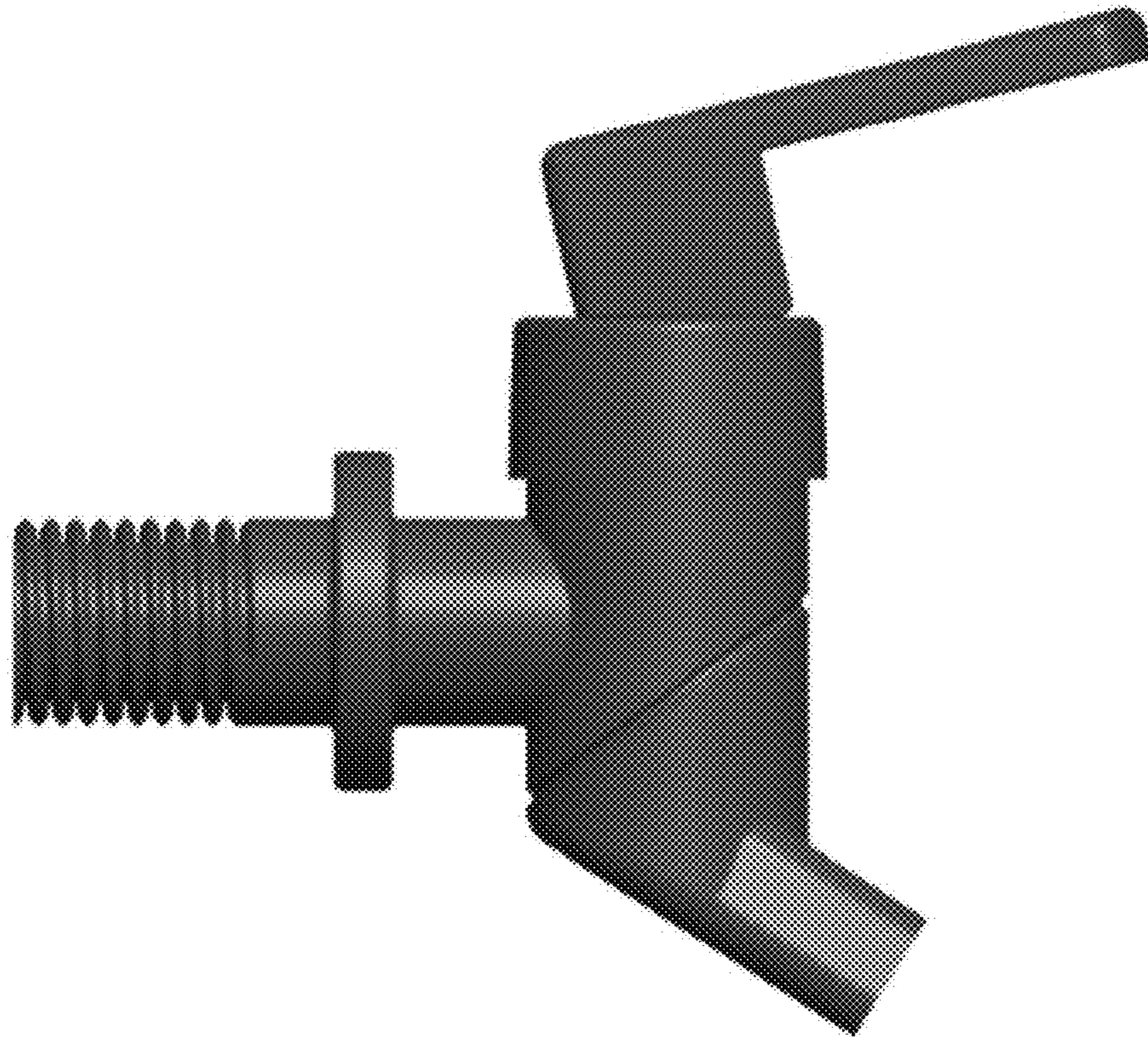


Fig. 1

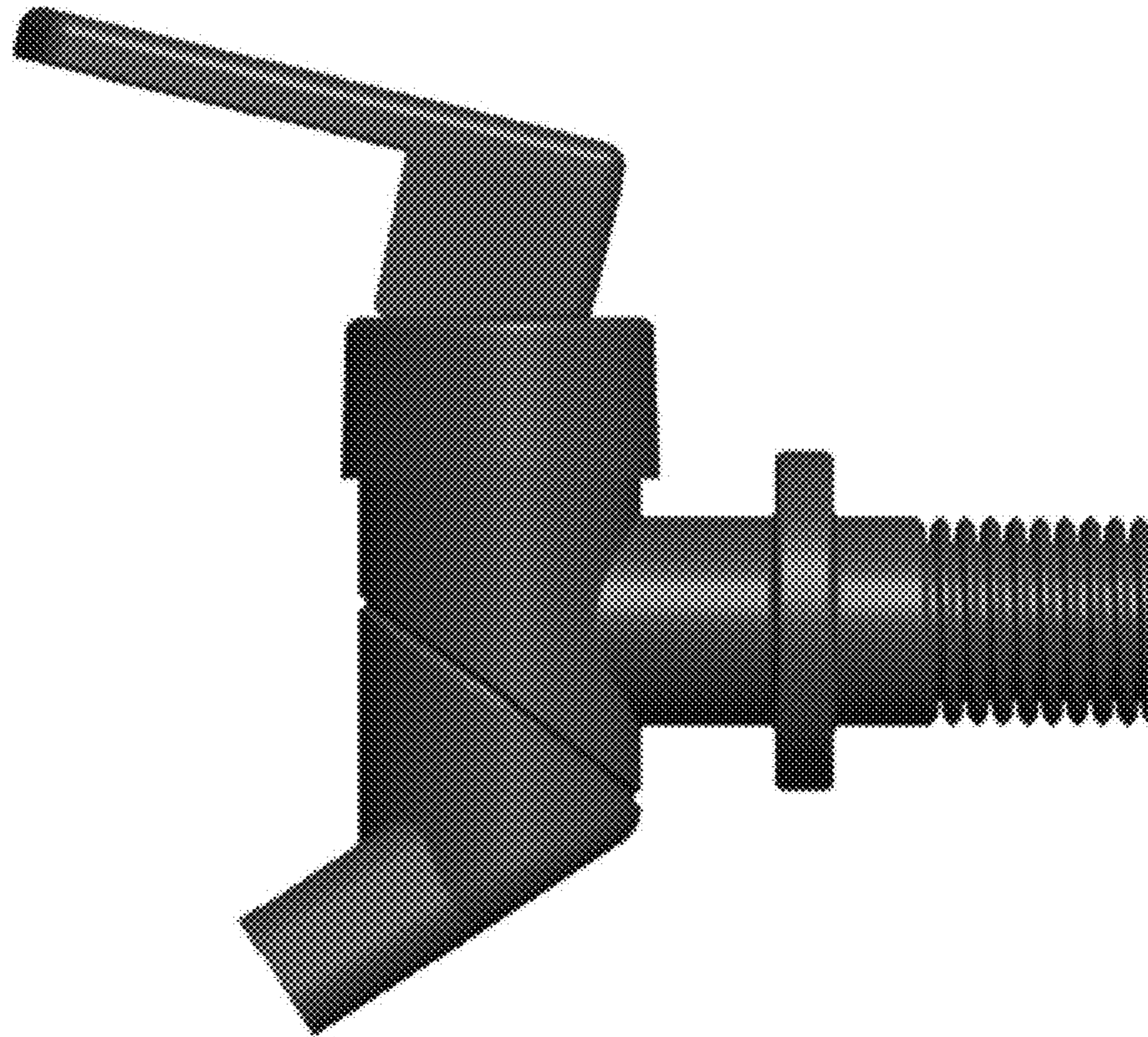


Fig. 2

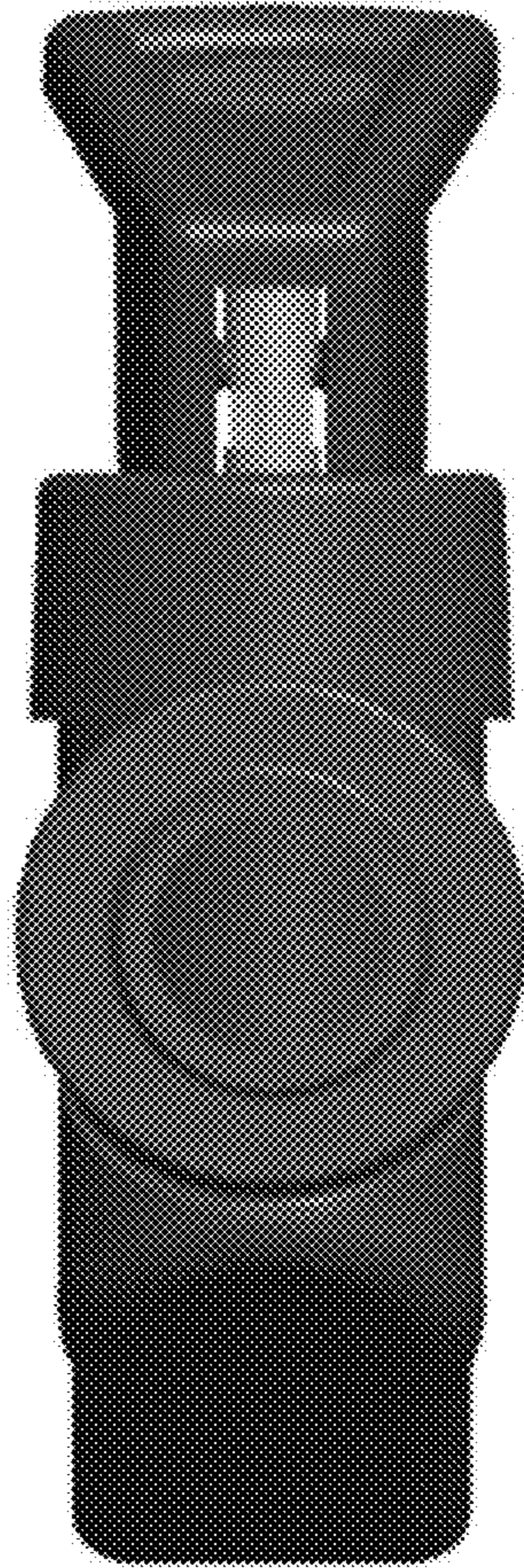


Fig. 3

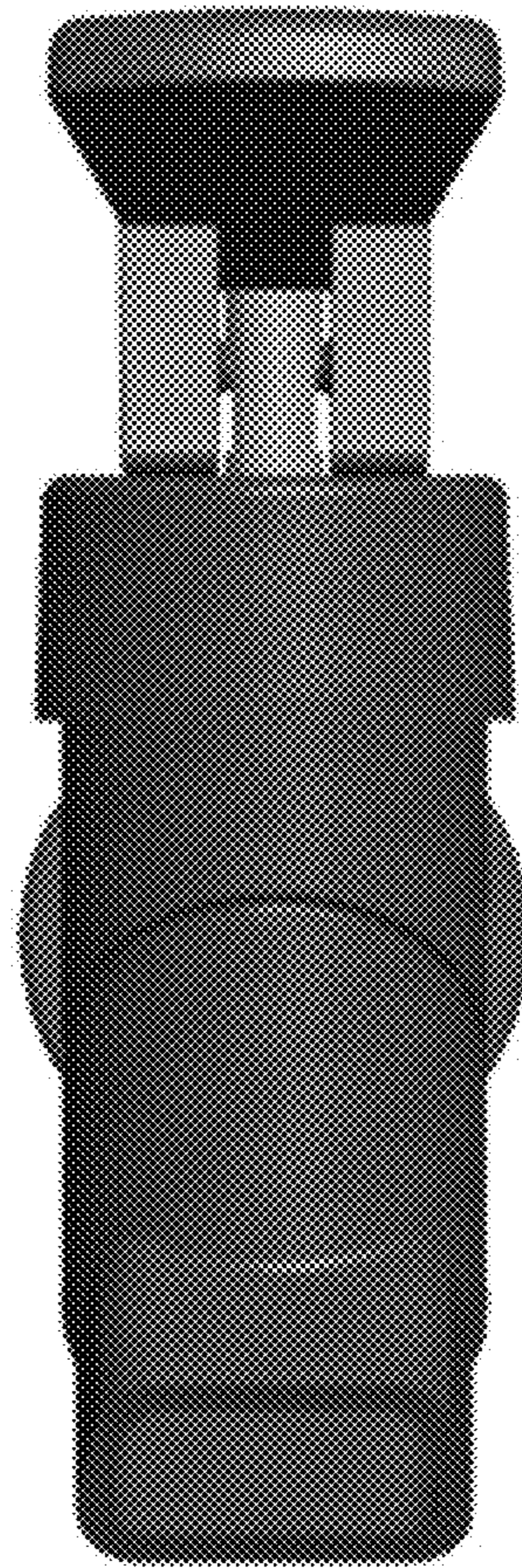


Fig. 4

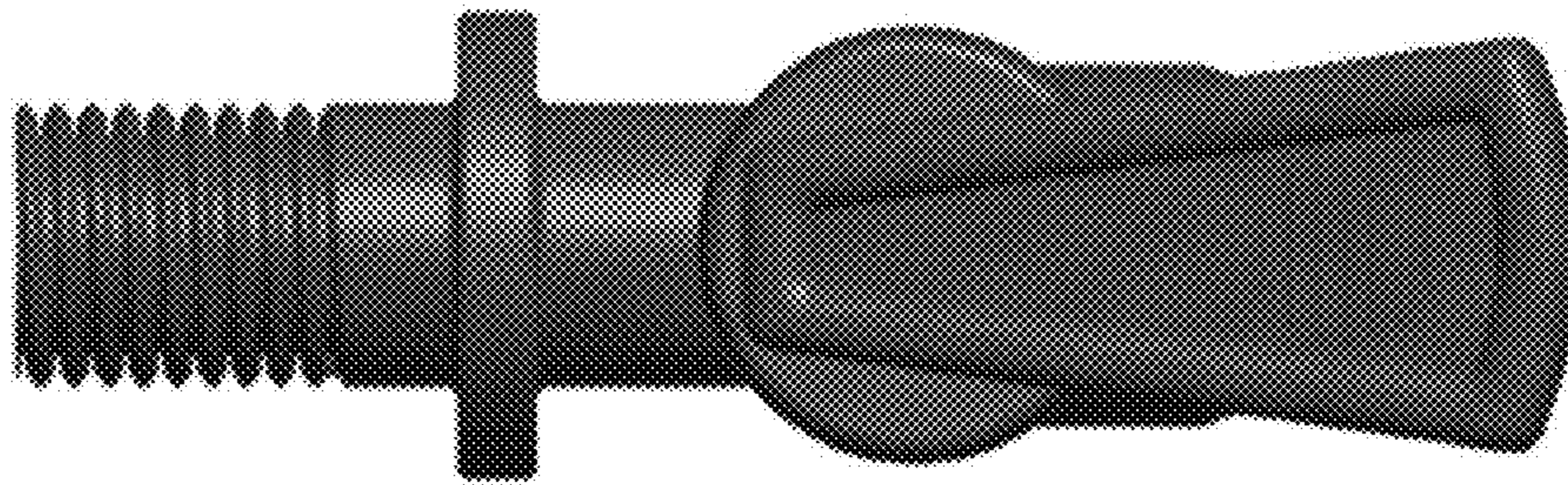


Fig. 5

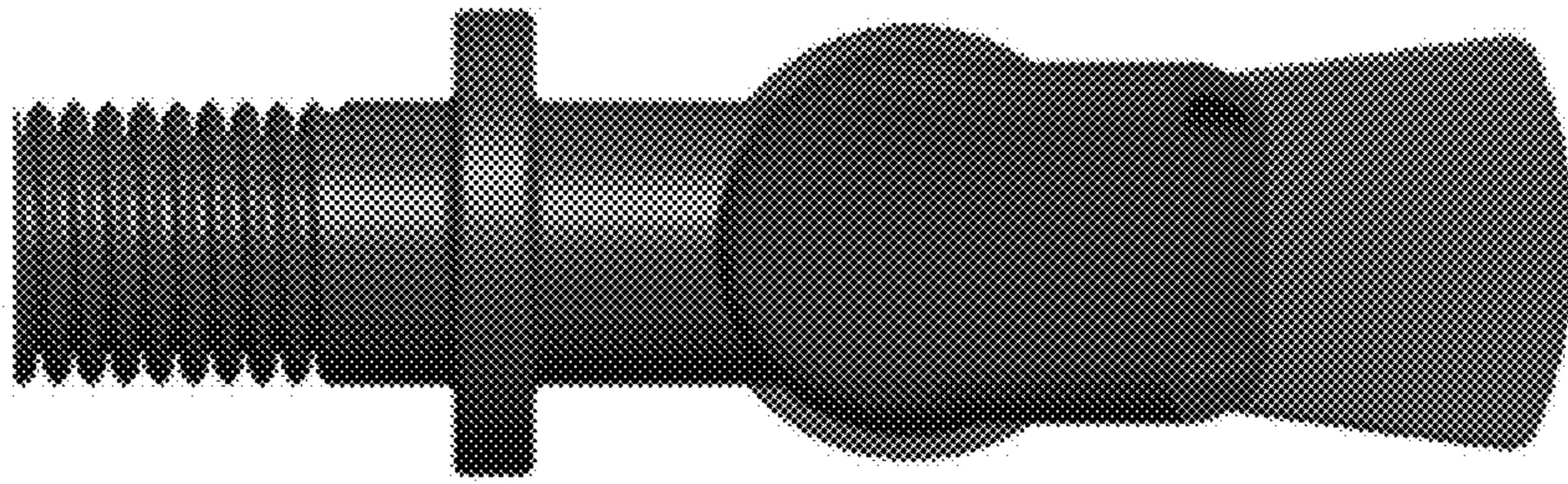


Fig. 6



Fig. 7