

US00D798656S

(12) **United States Design Patent**
Steel

(10) **Patent No.:** **US D798,656 S**

(45) **Date of Patent:** **** Oct. 3, 2017**

- (54) **MUG**
- (71) Applicant: **Jeffrey Steel**, Hoboken, NJ (US)
- (72) Inventor: **Jeffrey Steel**, Hoboken, NJ (US)
- (73) Assignee: **Cotapaxi Custom Design and Manufacturing LLC**, Carlstadt, NJ (US)
- (**) Term: **15 Years**
- (21) Appl. No.: **29/560,813**
- (22) Filed: **Apr. 11, 2016**

Related U.S. Application Data

- (63) Continuation of application No. 29/491,390, filed on May 20, 2014, now Pat. No. Des. 753,437.
- (51) **LOC (10) Cl.** **07-99**
- (52) **U.S. Cl.**
USPC **D7/396.2; D7/396.6; D7/509**
- (58) **Field of Classification Search**
USPC D7/507-515, 523, 531, 533, 538, 300.1, D7/300, 591, 596, 391, 396.1, 396.2, 414, D7/213, 400, 396.6, 900, 395, 631, 633; D9/516, 570, 651, 905, 552, 197, 435, D9/440; 220/703, 592.16, 592.17; 206/216, 217; D8/34; D23/335, 336, D23/262, 260
CPC A47G 19/22; A47G 19/2227; A47G 2019/225; A47G 19/2272; A47G 19/2288; A45F 3/20; B65D 1/265; A47J 43/27
See application file for complete search history.

(56) **References Cited**

U.S. PATENT DOCUMENTS

- 1,109,557 A * 9/1914 Tamagno B65D 47/265
222/498
- 1,553,742 A * 9/1925 Blatter G01F 23/36
320/136

- 1,860,131 A * 5/1932 Booth B65D 51/04
220/264
- 2,340,703 A * 2/1944 Schwabacher H02G 3/0658
439/449
- 2,627,533 A * 2/1953 Jensen H01M 2/06
429/121
- 2,987,214 A * 6/1961 Radack H01R 13/447
220/242
- 3,255,937 A * 6/1966 Jarrett B65D 35/08
222/480
- 3,303,971 A * 2/1967 Stevens, Jr. B65D 25/525
222/153.14
- 4,765,465 A * 8/1988 Yamada A47G 19/2227
206/217
- 4,923,404 A * 5/1990 Redmond H01R 13/2414
174/554
- 4,989,746 A * 2/1991 Pierce B65D 47/0895
220/254.3

(Continued)

Primary Examiner — Marianne Pandozzi

Assistant Examiner — Jae Liang

(74) *Attorney, Agent, or Firm* — Steven E. Shapiro

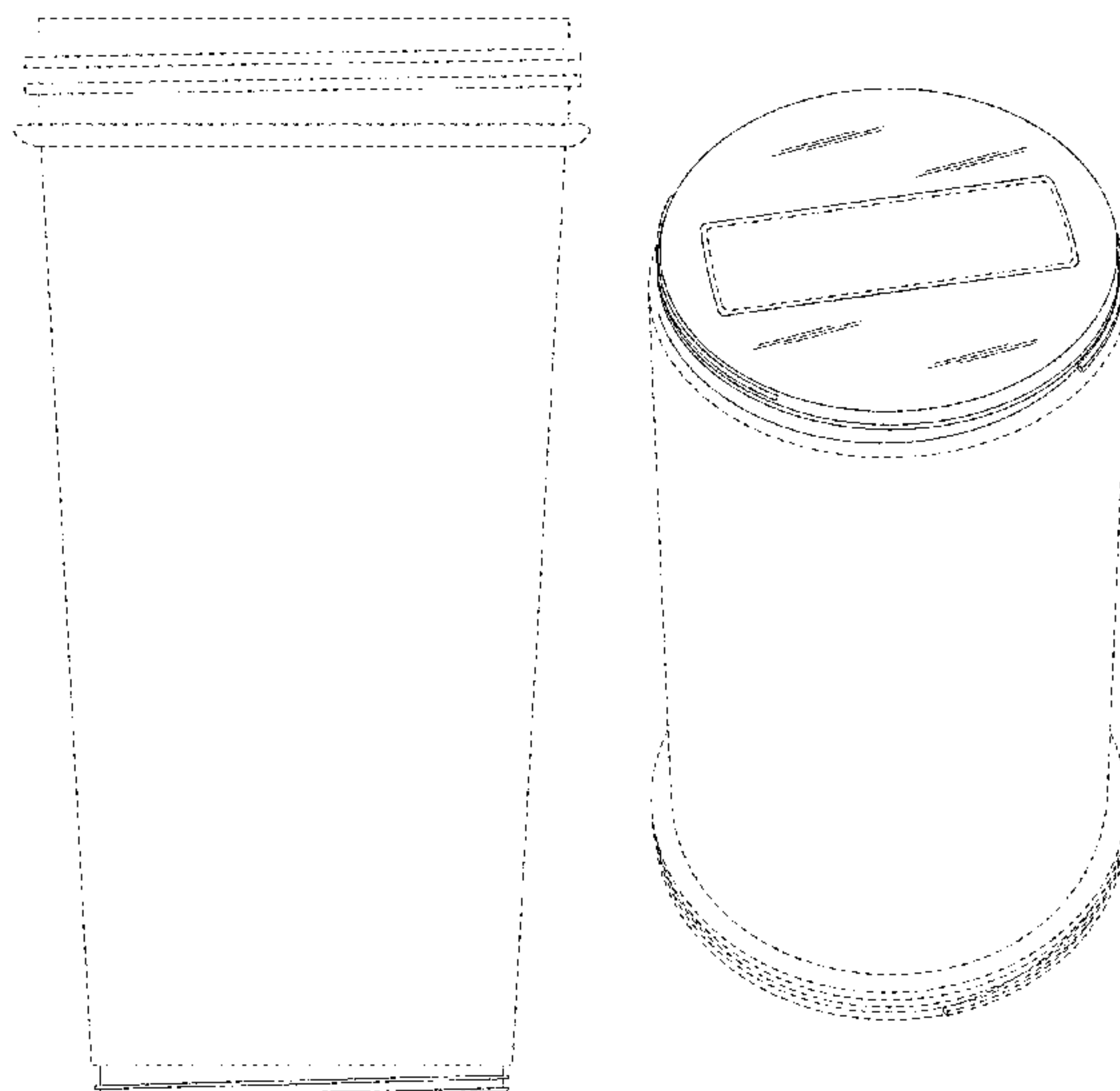
(57) **CLAIM**

The ornamental design for a mug, as shown and described.

DESCRIPTION

FIG. 1 is a top perspective view of a mug showing my new design;
 FIG. 2 is a front view of the mug;
 FIG. 3 is a right side view of the mug;
 FIG. 4 is a rear view of the mug;
 FIG. 5 is a left side view of the mug;
 FIG. 6 is a bottom view of the mug; and,
 FIG. 7 is a bottom perspective view of the mug.
 The broken lines shown in the drawings represent portions of the mug that form no part of the claimed design.

1 Claim, 7 Drawing Sheets



(56)

References Cited

U.S. PATENT DOCUMENTS

5,223,259 A * 6/1993 Lackney A23G 3/368
424/422
5,354,628 A * 10/1994 Watanabe H01M 2/1241
429/101
D395,790 S * 7/1998 Gaines D7/510
D437,556 S * 2/2001 Holliday D9/436
D440,134 S * 4/2001 Brix-Hansen D8/33
6,238,218 B1 * 5/2001 Baffert H01R 24/50
439/581
D515,919 S * 2/2006 Hierzer D9/435
D527,254 S * 8/2006 Antonelli D9/435
D570,648 S * 6/2008 Bodum D7/509
D598,712 S * 8/2009 Alviar D7/510
D647,532 S * 10/2011 Busch D14/480.3
D649,836 S * 12/2011 Dooley D7/507
D652,682 S * 1/2012 Eyal D7/510
D661,186 S * 6/2012 Snyder 435/447
D664,856 S * 8/2012 Ring D9/453
D696,125 S * 12/2013 Ring D9/434
D702,398 S * 4/2014 Fakhouri D27/181
D721,924 S * 2/2015 Trafton D7/507
9,192,194 B2 * 11/2015 Fakhouri A24F 9/00
D753,437 S * 4/2016 Steel D7/396.2
2009/0080180 A1 * 3/2009 Bertken A47G 19/2227
362/101
2009/0255941 A1 * 10/2009 Kuntz B65D 81/3879
220/592.17
2010/0005828 A1 * 1/2010 Fedell F25D 3/08
62/457.4
2014/0091086 A1 * 4/2014 Sorensen A47G 19/2205
220/4.27
2015/0359362 A1 * 12/2015 Lee A47G 19/2272
220/713

* cited by examiner

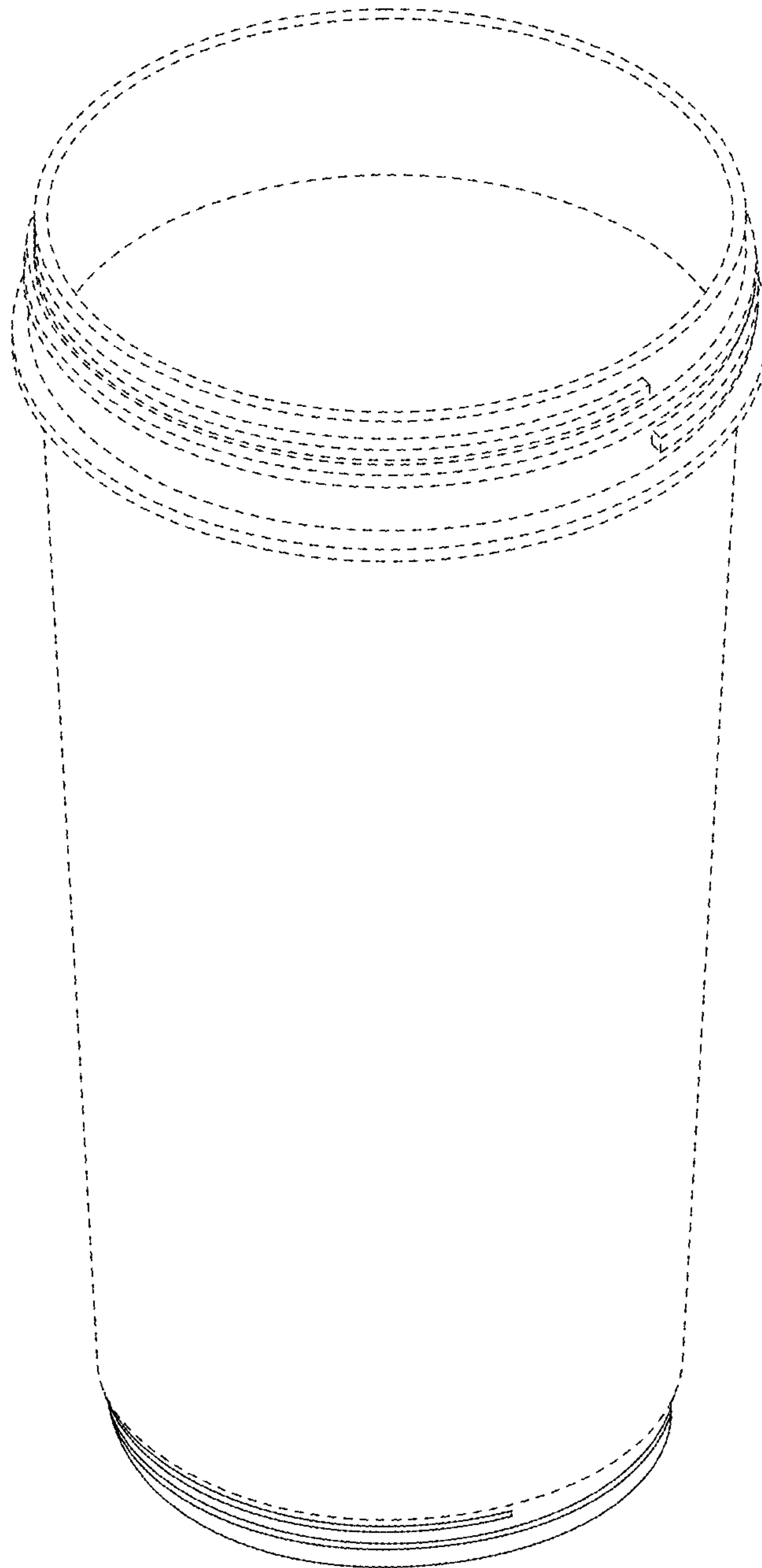


FIG. 1

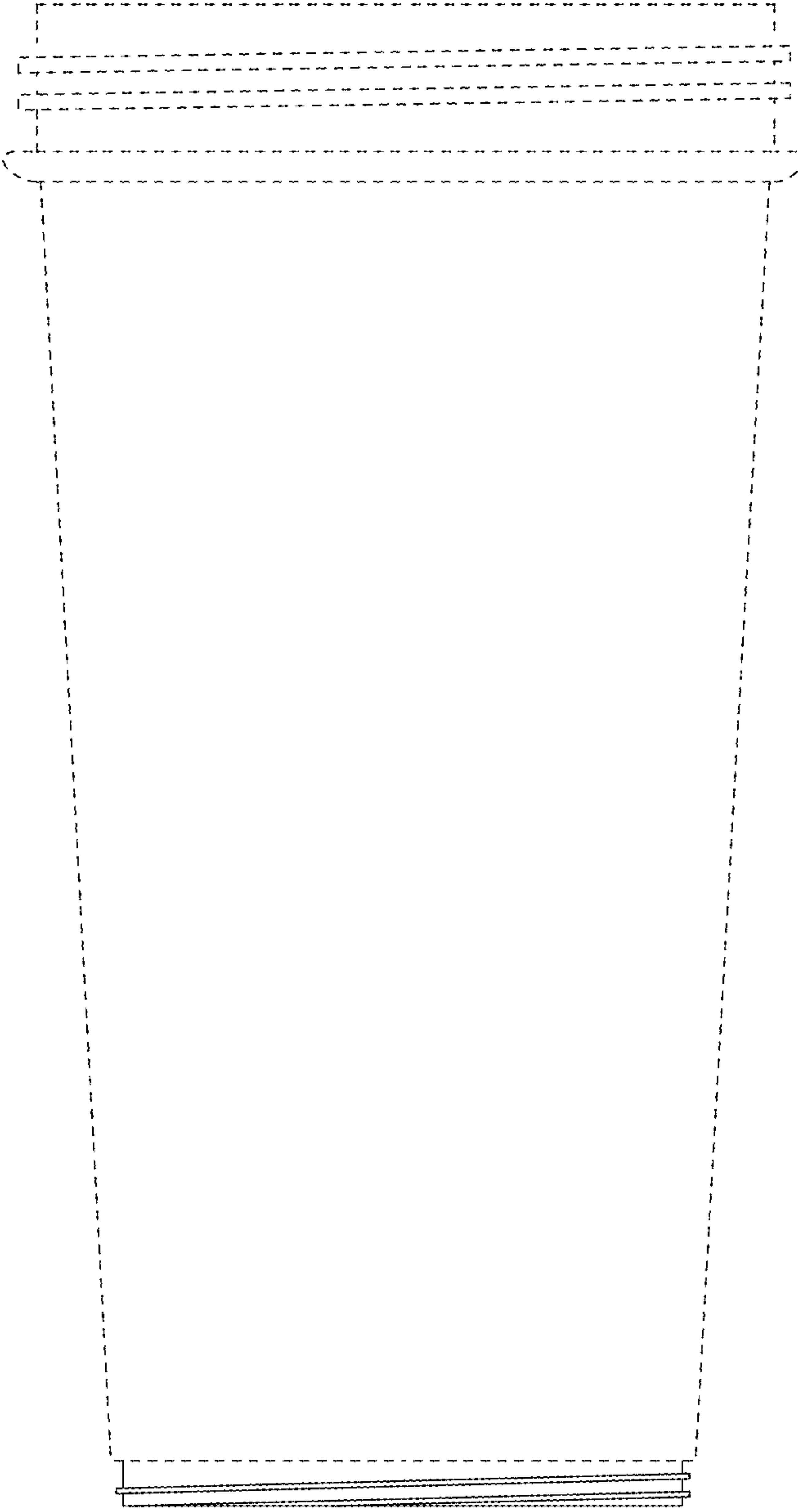


FIG. 2

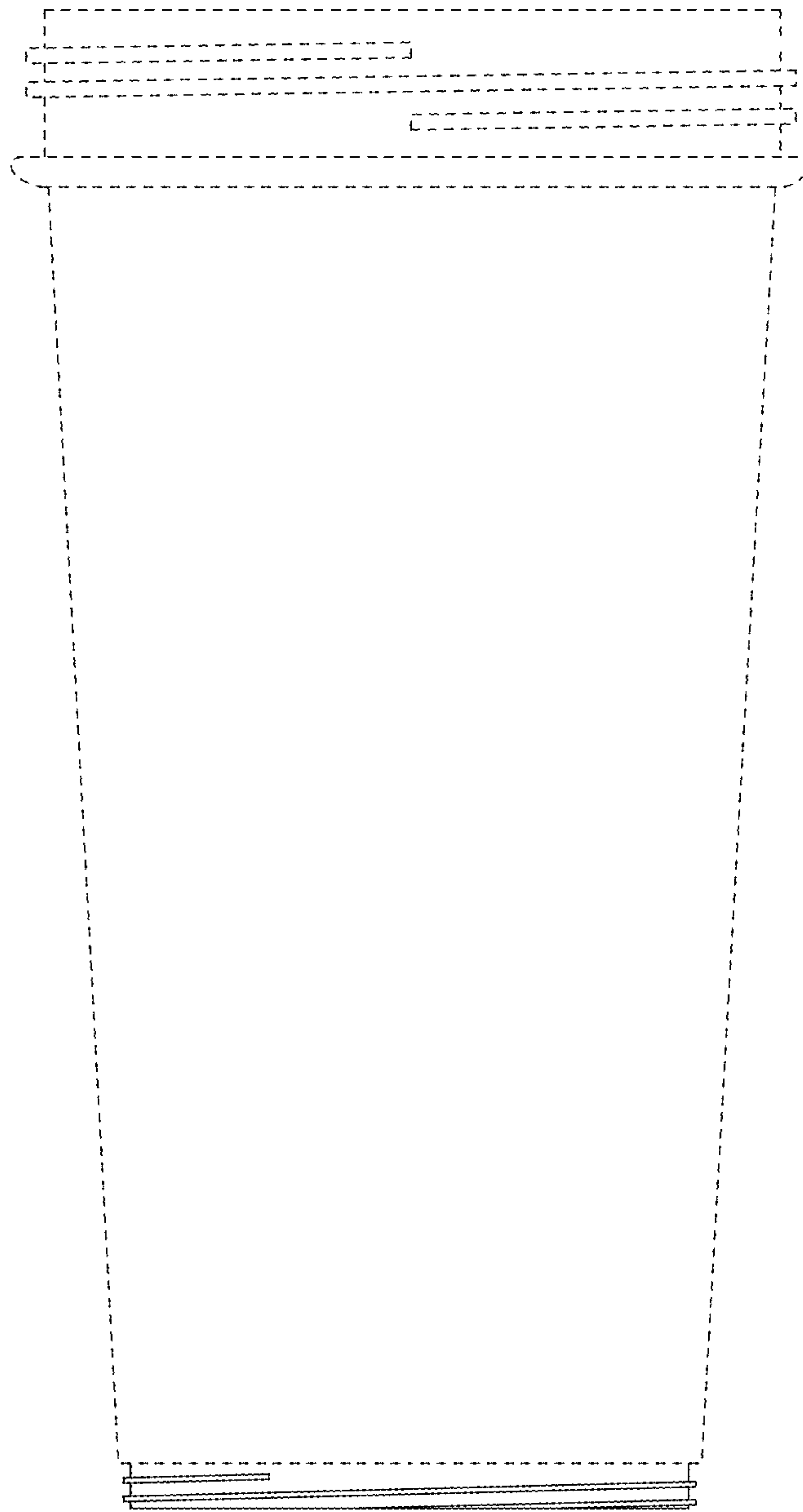


FIG. 3

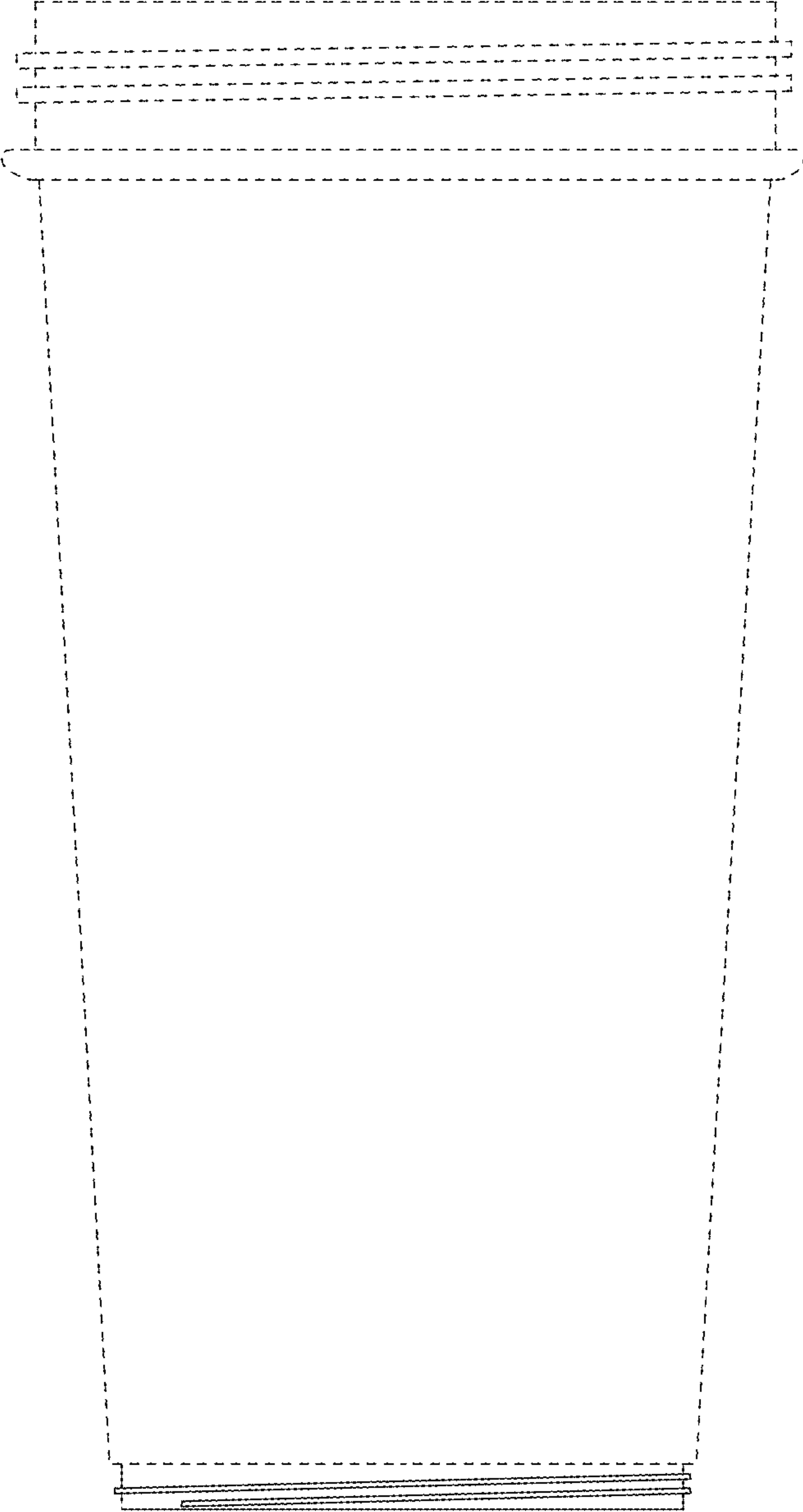


FIG. 4

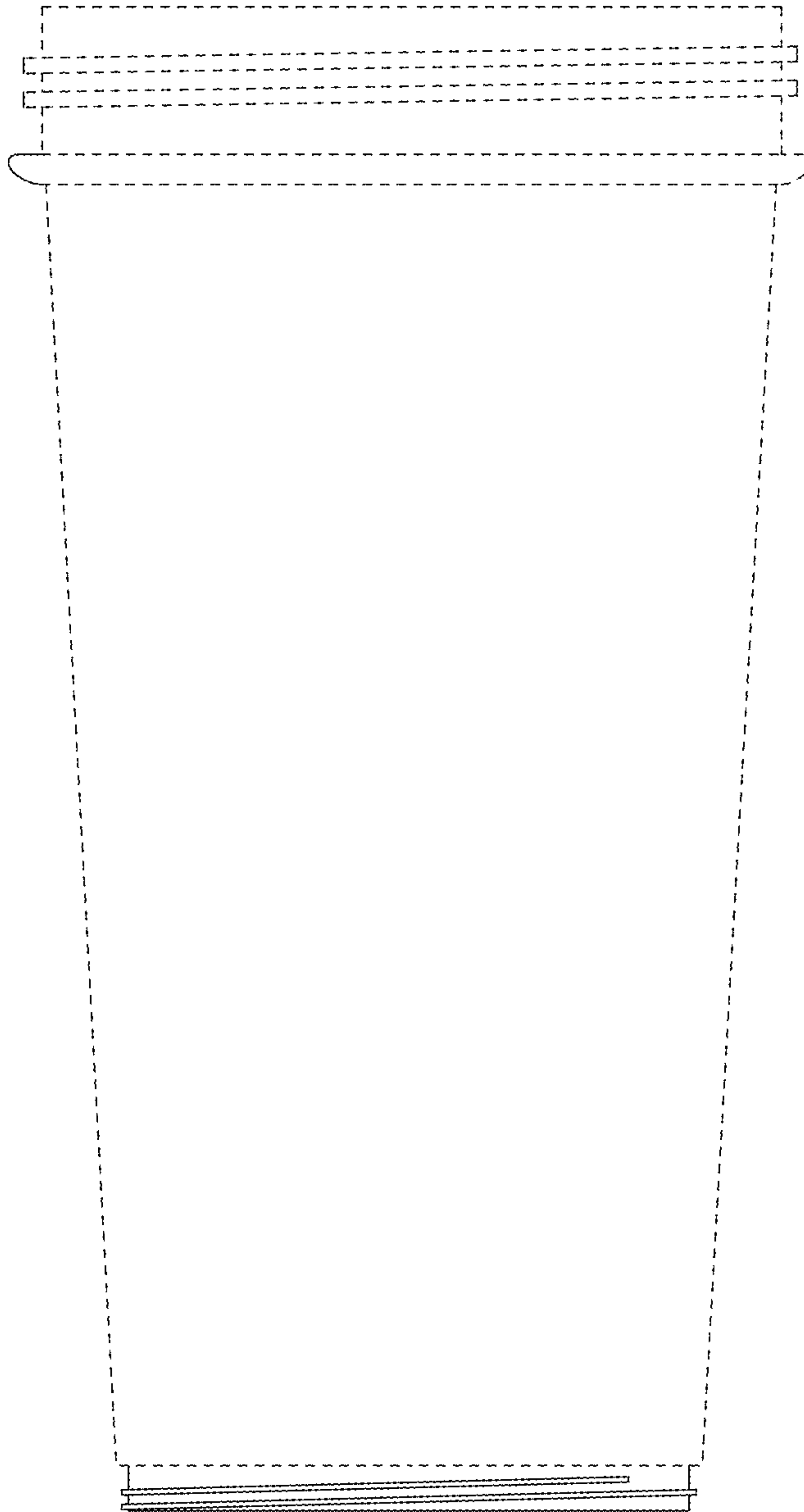


FIG. 5

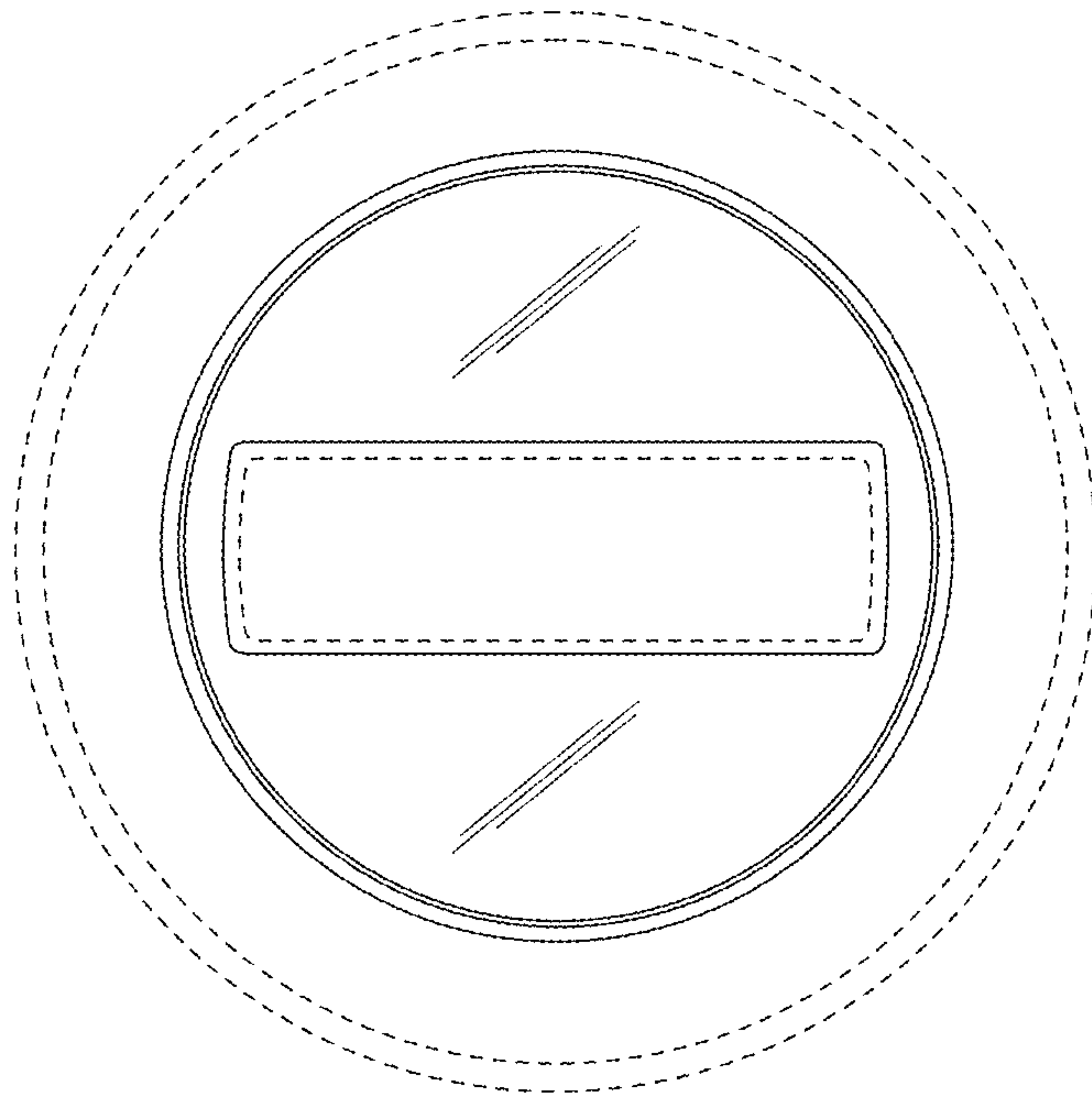


FIG. 6

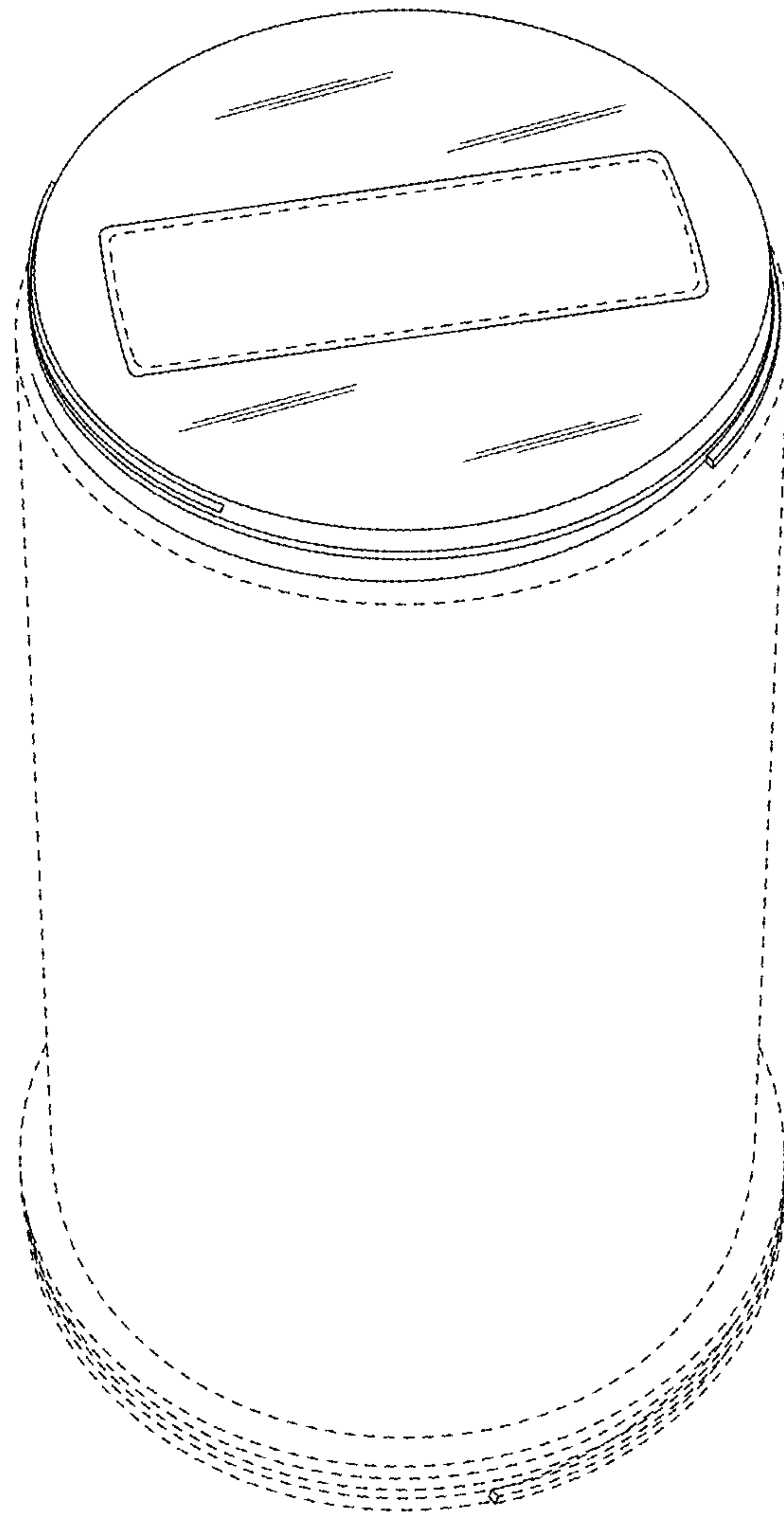


FIG. 7