



US00D798654S

(12) **United States Design Patent**
Hebert

(10) **Patent No.:** **US D798,654 S**

(45) **Date of Patent:** **** Oct. 3, 2017**

(54) **POT COVER**

(71) Applicant: **Eric Michael Hebert**, Harrisburg, NC
(US)

(72) Inventor: **Eric Michael Hebert**, Harrisburg, NC
(US)

(73) Assignee: **Fairly Odd Treasures, LLC.**,
Harrisburg, NC (US)

(**) Term: **15 Years**

(21) Appl. No.: **29/552,083**

(22) Filed: **Jan. 20, 2016**

(51) **LOC (10) Cl.** **07-02**

(52) **U.S. Cl.**
USPC **D7/391; D7/354**

(58) **Field of Classification Search**
USPC D7/323, 354–363, 391, 392, 392.1, 393,
D7/397, 629, 667; D9/414, 424–432,
D9/435, 451–452
CPC A47J 19/005; A47J 43/24; A47J 36/027;
A47J 36/06; A47J 36/20; A47J 37/10;
A47J 37/101; B65D 21/0209; B65D
43/00; B65D 43/02; B65D 43/022; B65D
43/161; B65D 43/162; B65D 45/00;
B65D 45/16; B65D 45/18; B65D 51/16;
B65D 51/1683; B65D 51/1688; B65D
51/1694; B65F 1/1615; B67C 11/02
See application file for complete search history.

(56) **References Cited**

U.S. PATENT DOCUMENTS

D163,468 S * 5/1951 Millard D7/667
2,667,117 A * 1/1954 Millard A47J 36/20
16/425

4,138,939 A * 2/1979 Feld A47J 36/20
99/418
D316,505 S * 4/1991 Chow D7/409
D359,202 S * 6/1995 Cousins D7/667
6,758,131 B1 * 7/2004 Joubert A47J 36/06
220/573.1
D556,503 S * 12/2007 Holcomb D7/360
D661,944 S * 6/2012 Davies D7/354
8,381,640 B1 * 2/2013 Wilson A47J 37/10
210/464
D693,169 S * 11/2013 Myoung D7/354
9,089,237 B1 * 7/2015 Griffith A47J 19/005
9,126,814 B2 * 9/2015 Tarasoff B67C 11/02
D747,914 S * 1/2016 Schuler D7/354

* cited by examiner

Primary Examiner — Ricky Pham

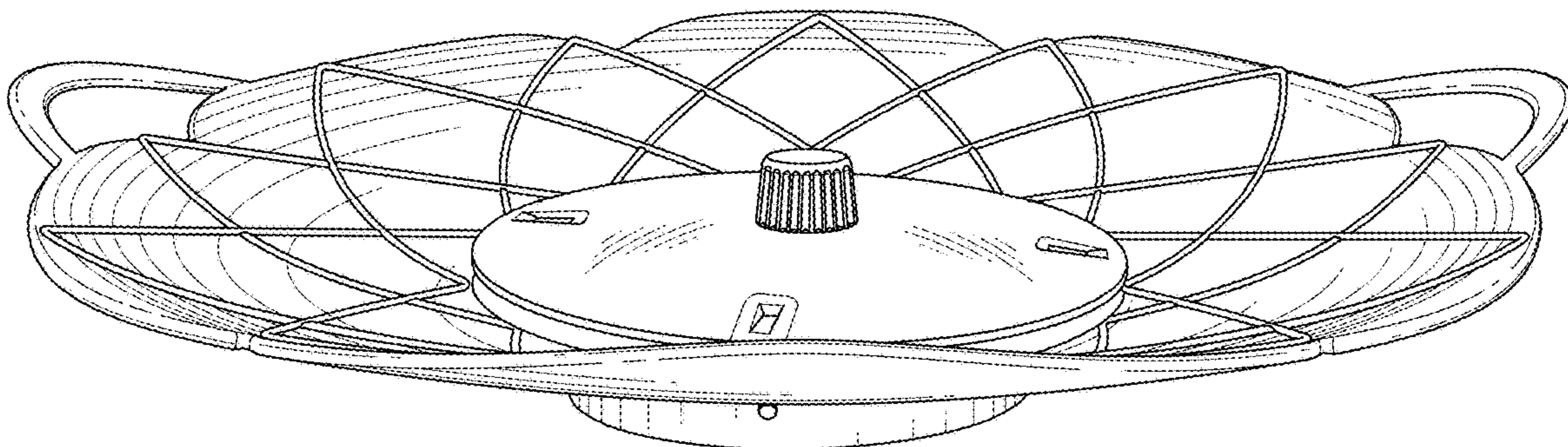
(57) **CLAIM**

The ornamental design for a pot cover, as shown and described.

DESCRIPTION

FIG. 1 is a perspective view of a pot cover showing my new design;
FIG. 2 is a top view thereof;
FIG. 3 is a bottom view thereof;
FIG. 4 is a left side view, the opposite side being a mirror image thereof;
FIG. 5 is a right side view, the opposite side being a mirror image thereof; and,
FIG. 6 is a bottom perspective view thereof.

1 Claim, 5 Drawing Sheets



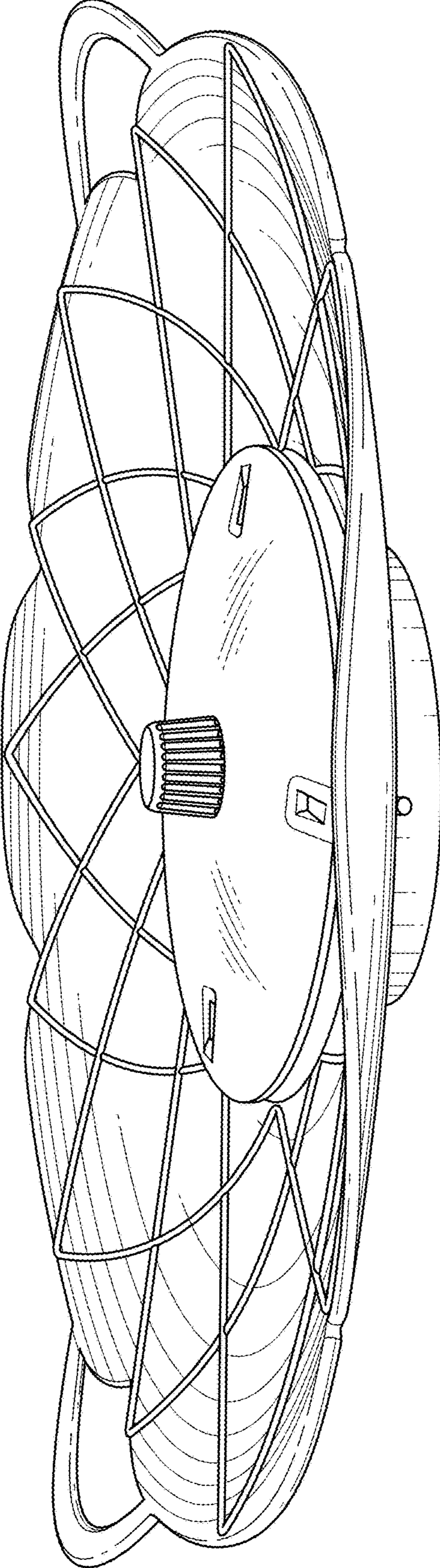


FIG. 1

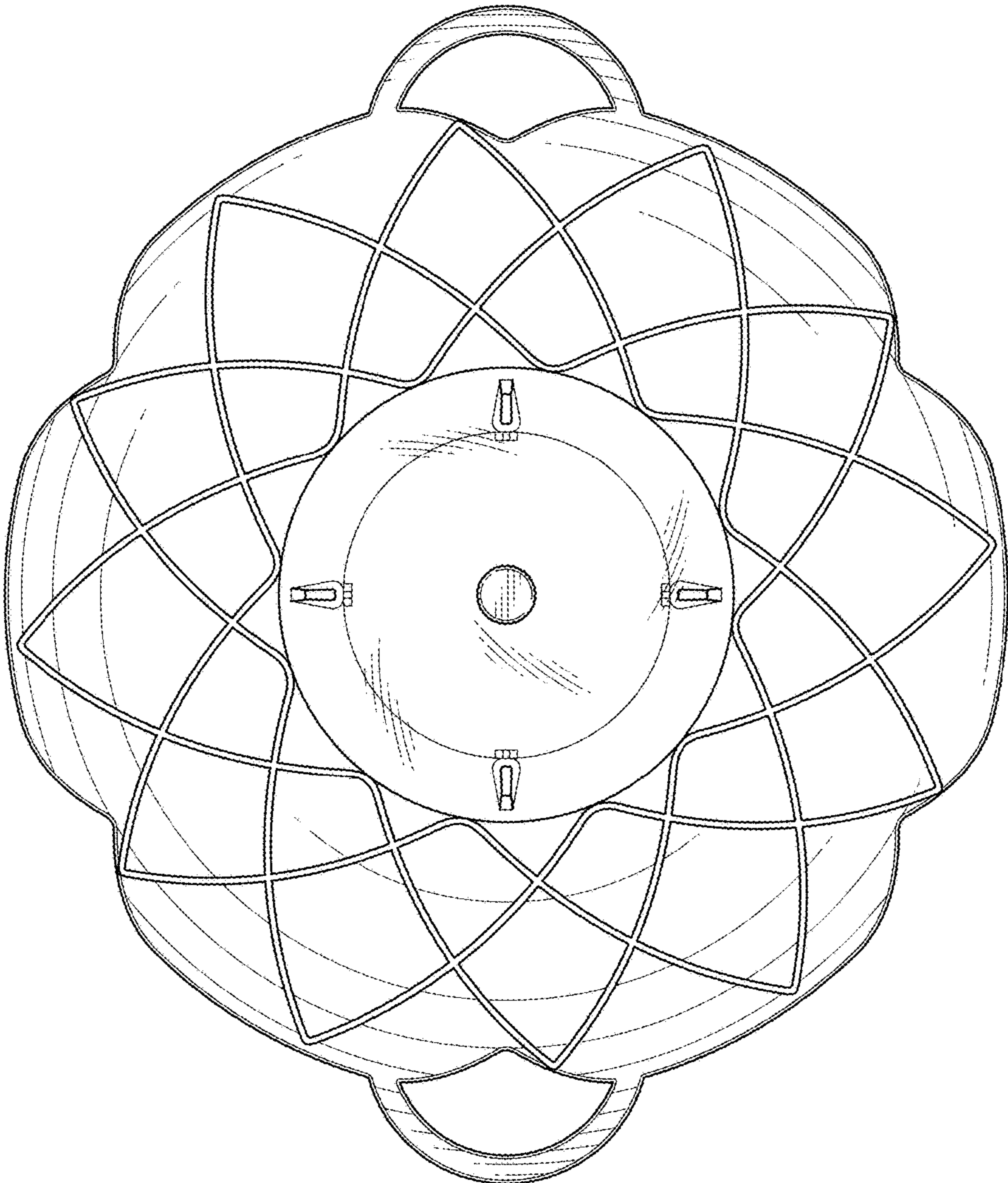


FIG. 2

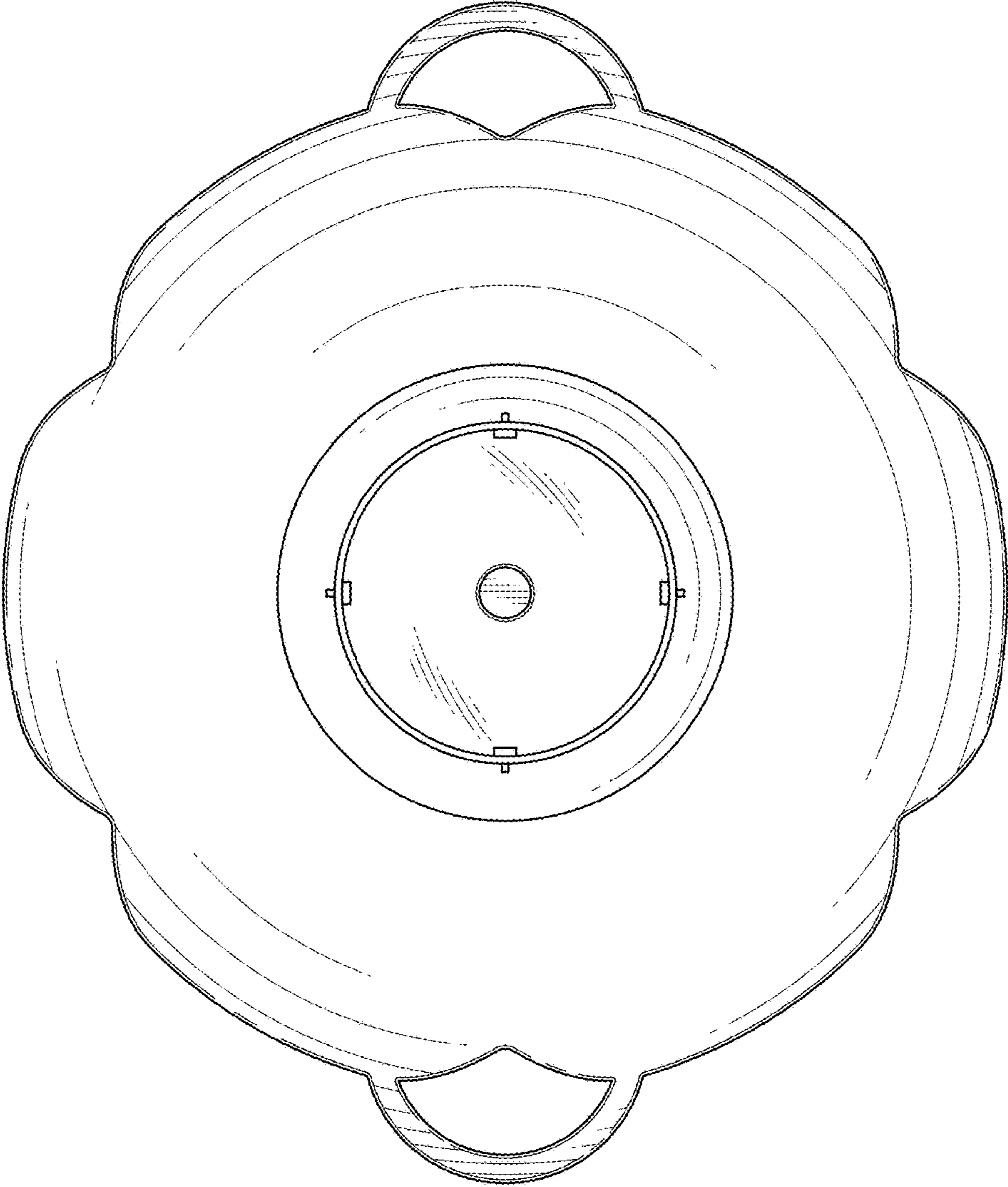


FIG. 3

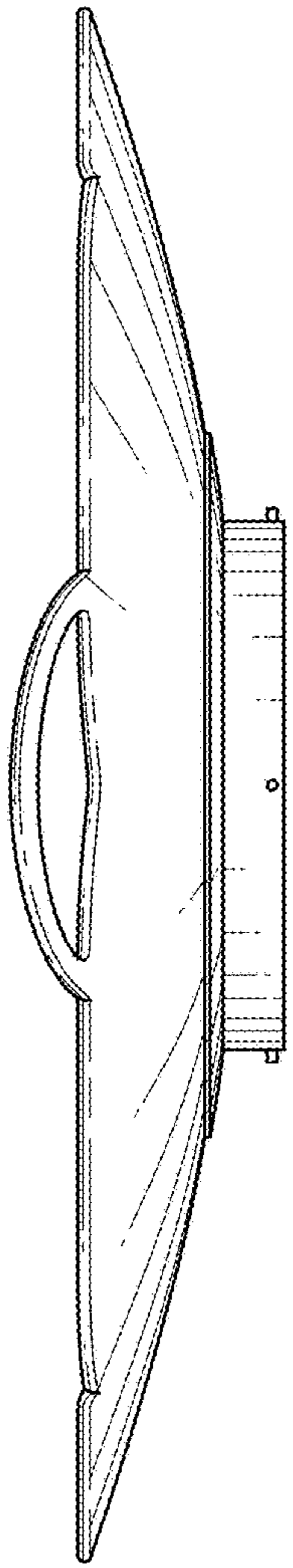


FIG. 4

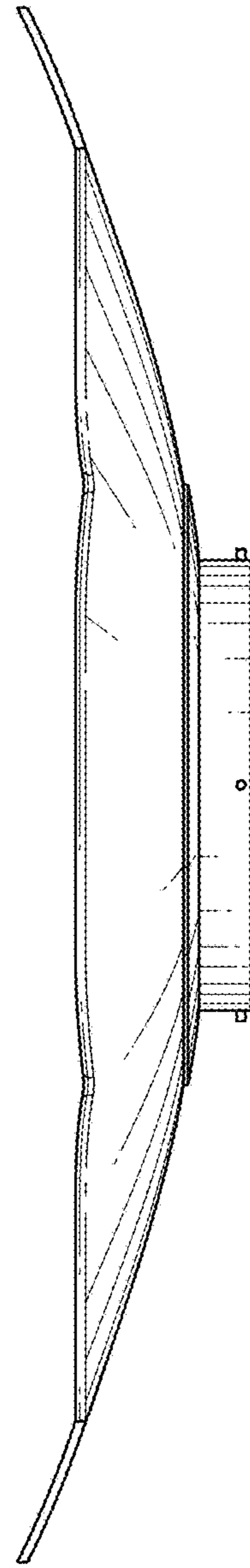


FIG. 5

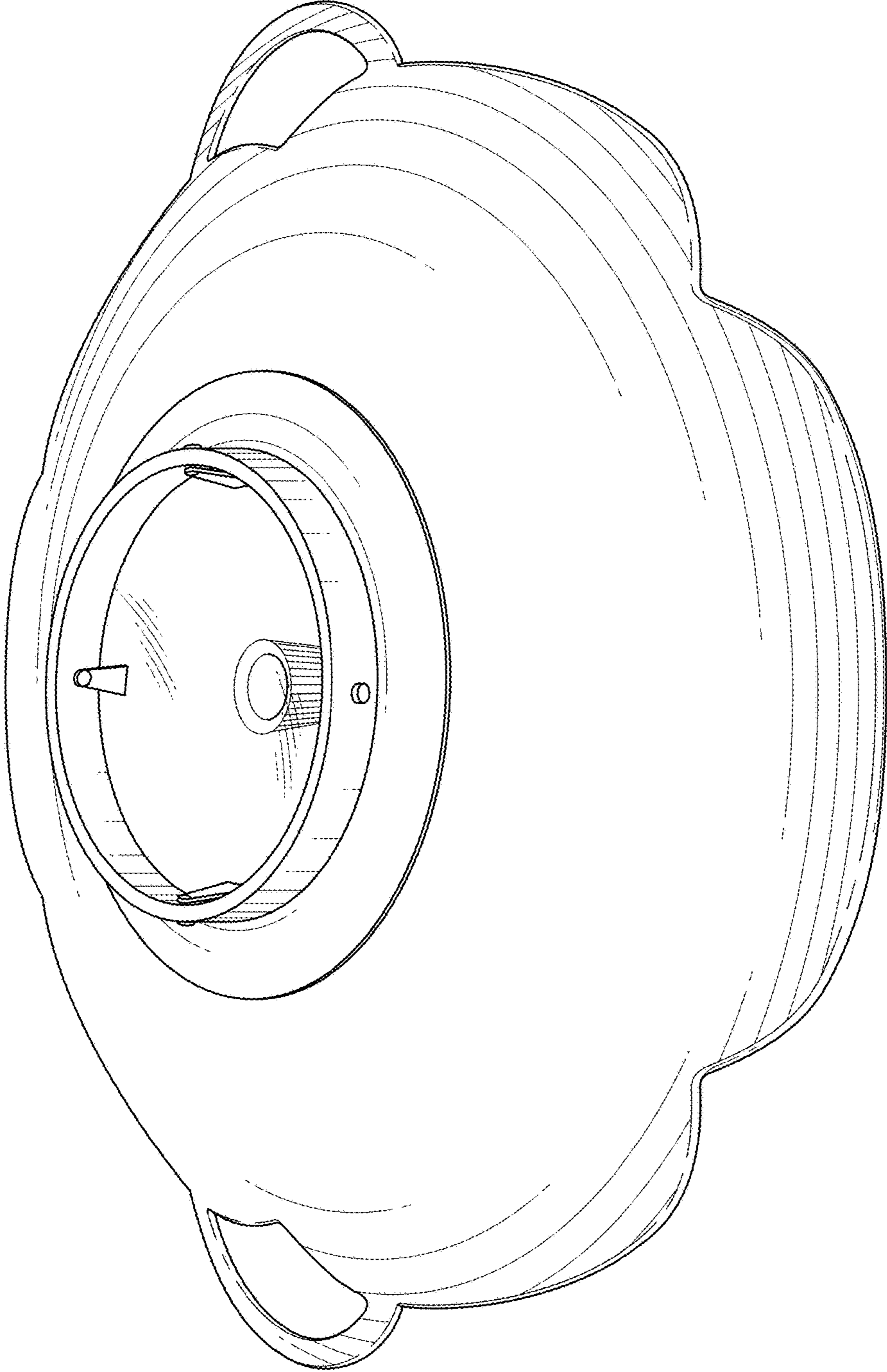


FIG. 6