



US00D798653S

(12) **United States Design Patent** (10) **Patent No.:** **US D798,653 S**  
**Fan** (45) **Date of Patent:** **\*\* Oct. 3, 2017**

(54) **BLENDER BASE**

(56) **References Cited**

(71) Applicant: **TSANN KUEN (ZHANGZHOU) ENTERPRISE CO., LTD**, Zhangzhou (CN)

U.S. PATENT DOCUMENTS

(72) Inventor: **Huilu Fan**, Zhangzhou (CN)

D176,257 S *	12/1955	Hill et. al.	.....	D7/378
D181,541 S *	11/1957	Madl et. al.	.....	D7/378
D187,684 S *	4/1960	Hauser	.....	D7/378
D616,244 S *	5/2010	Thai	.....	D7/378
D642,858 S *	8/2011	Lazzer	.....	D7/376
D679,935 S *	4/2013	Tse	.....	D7/326
D747,135 S *	1/2016	Ha	.....	D7/376
D755,004 S *	5/2016	Bock	.....	D7/376
D759,424 S *	6/2016	Ou	.....	D7/376
D769,061 S *	10/2016	Diderotto	.....	D7/376
D781,098 S *	3/2017	Bond	.....	D7/376
D782,865 S *	4/2017	Bazzicalupo	.....	D7/376
D784,071 S *	4/2017	Davies	.....	D7/376

(73) Assignee: **Tsann Kuen (Zhangzhou) Enterprise Co., Ltd.**, Zhangzhou (CN)

(\*\*) Term: **15 Years**

(21) Appl. No.: **29/571,906**

(22) Filed: **Jul. 22, 2016**

\* cited by examiner

(30) **Foreign Application Priority Data**

*Primary Examiner* — Ricky Pham

Apr. 13, 2016 (CN) ..... 2016 3 0122596

(74) *Attorney, Agent, or Firm* — Wang Law Firm, Inc.

(51) **LOC (10) Cl.** ..... **31-00**

(57) **CLAIM**

(52) **U.S. Cl.**  
USPC ..... **D7/386**; D7/376; D7/378

The ornamental design for a blender base, as shown and described.

(58) **Field of Classification Search**

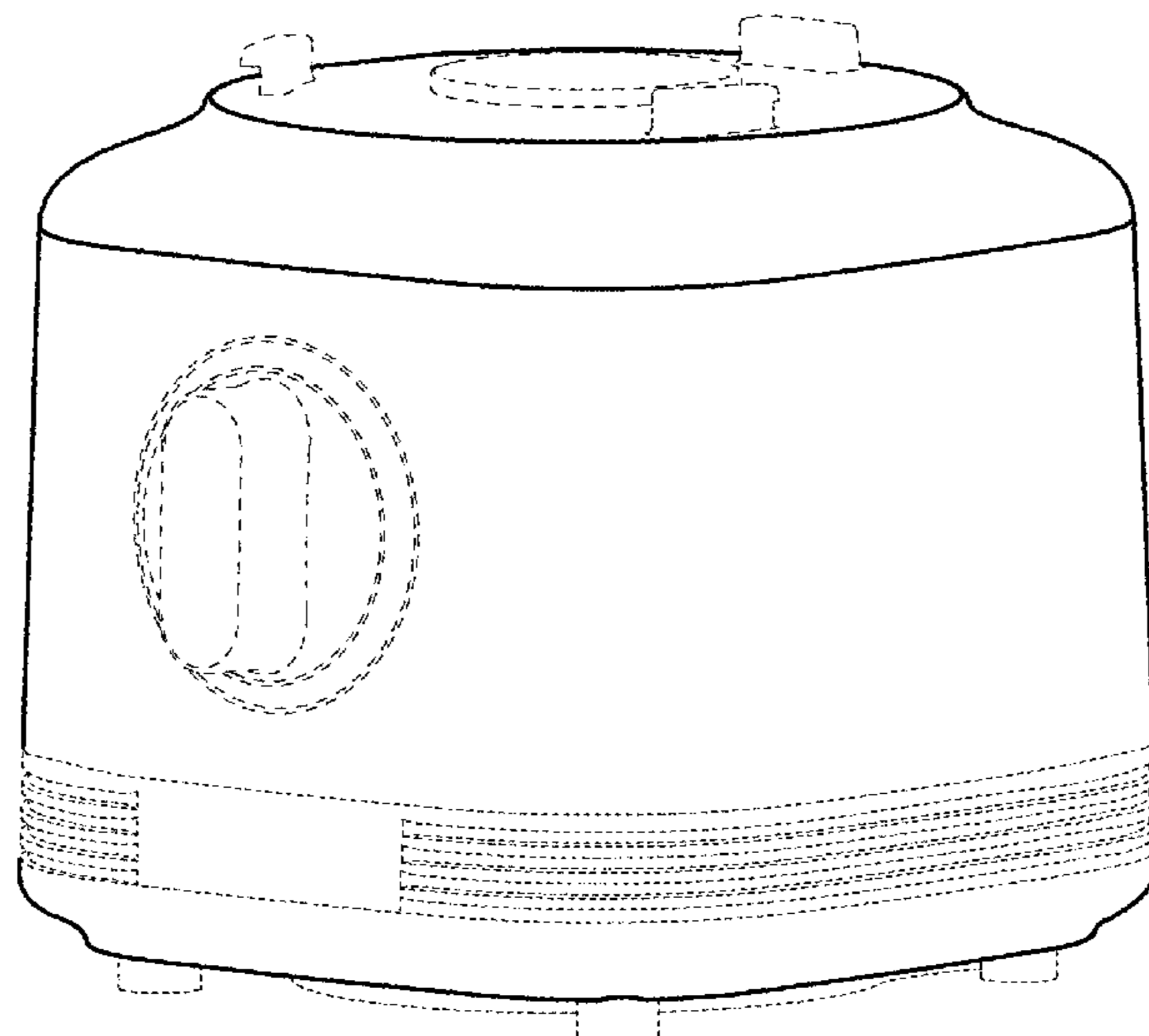
**DESCRIPTION**

USPC ..... D7/326, 372, 376-386, 412-413, 602, D7/629, 665-666, 669, 679, 693-694  
CPC .... A21C 1/02; A21C 1/04; A23N 1/00; A23N 1/02; A47J 43/04; A47J 43/25; A47J 43/27; A47J 43/042; A47J 43/044; A47J 43/046; A47J 43/075; A47J 43/0722; A47J 43/0727; B01F 3/00; B01F 3/0807; B01F 3/0853; B01F 13/0059; B01F 13/0064; B02C 1/08; B02C 2/04; B02C 4/42; B02C 4/142; B02C 4/143; B02C 4/423; B02C 13/1835; B28C 5/10; B28C 5/12; B28C 5/14; B28C 5/16

FIG. 1 is a front view of a blender base showing my new design;  
FIG. 2 is a rear view thereof;  
FIG. 3 is a left side view thereof;  
FIG. 4 is a right side view thereof;  
FIG. 5 is a top plan view thereof;  
FIG. 6 is a bottom plan view thereof; and,  
FIG. 7 is a perspective view thereof.  
The broken lines showing in the figures are for illustrative purposes only and form no part of the claimed design.

See application file for complete search history.

**1 Claim, 7 Drawing Sheets**



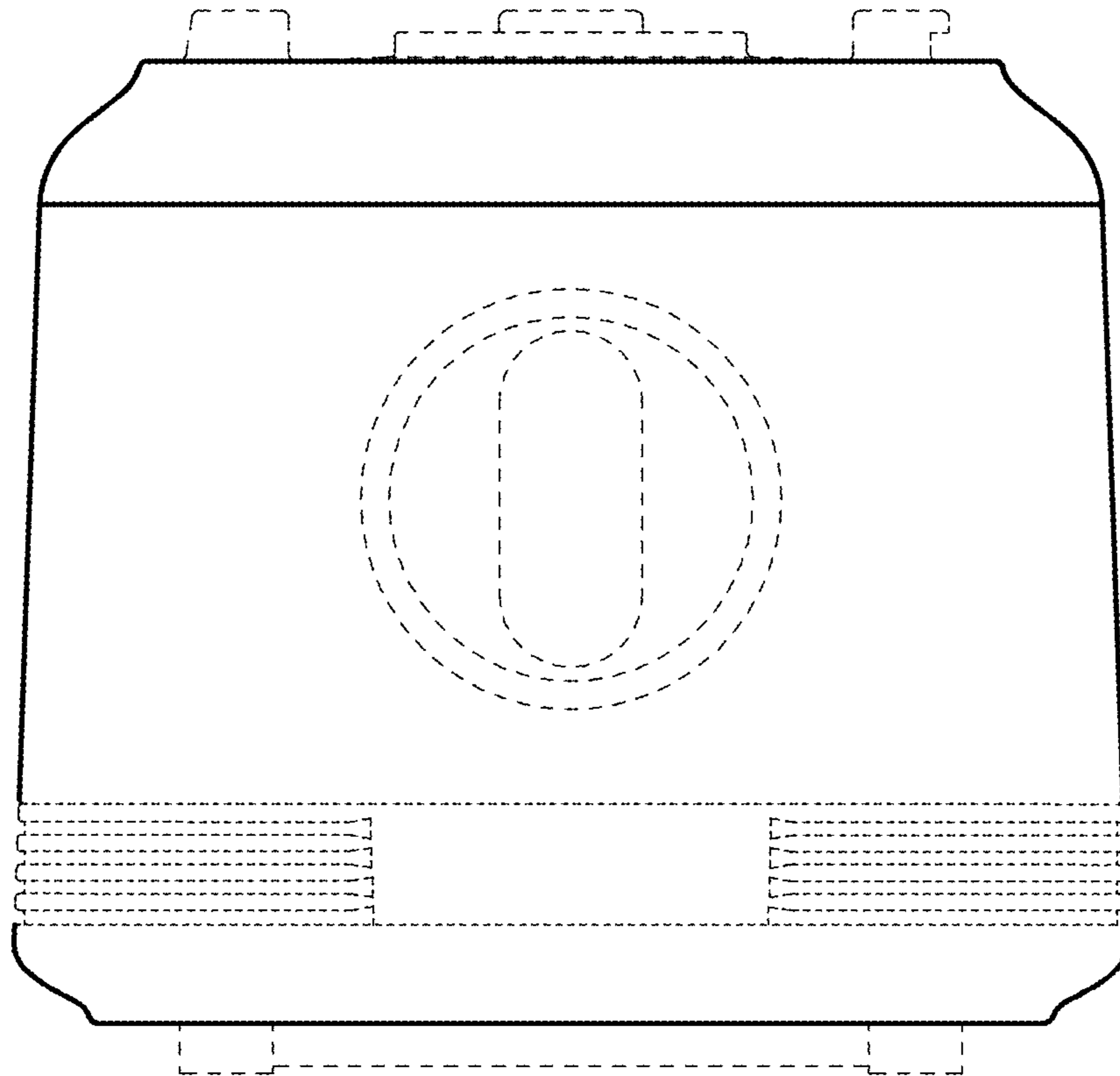


FIG. 1

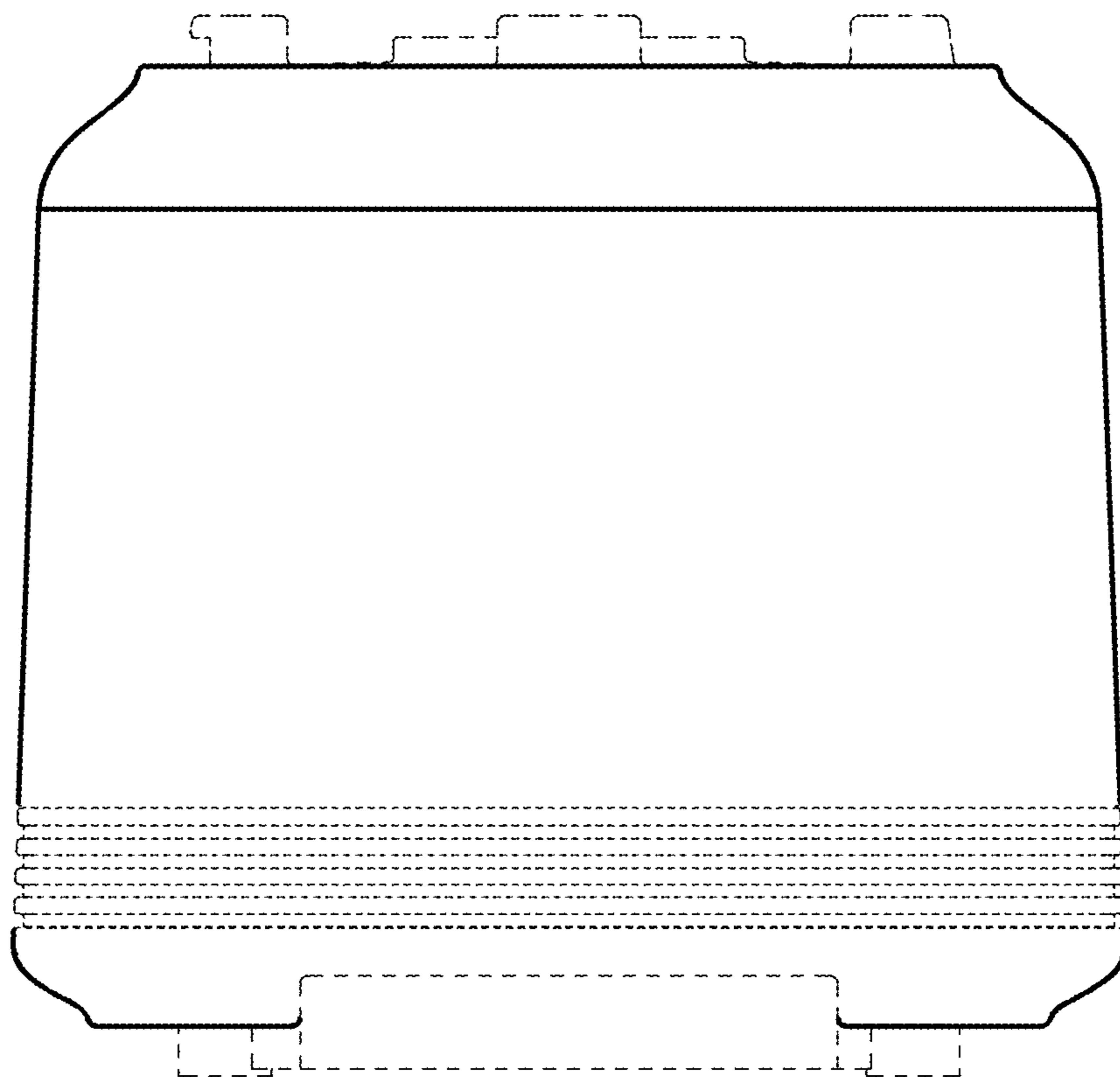


FIG. 2

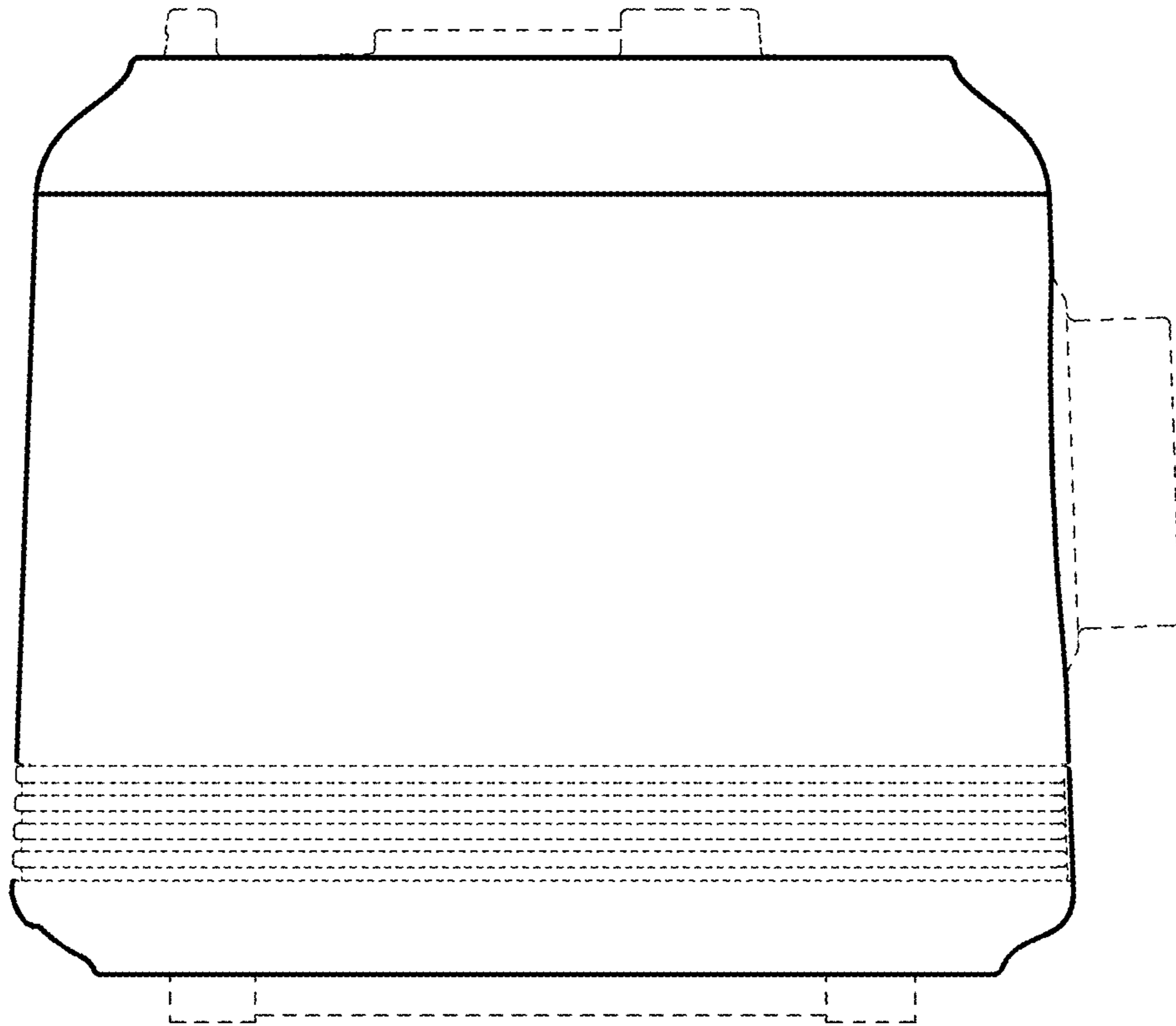


FIG. 3

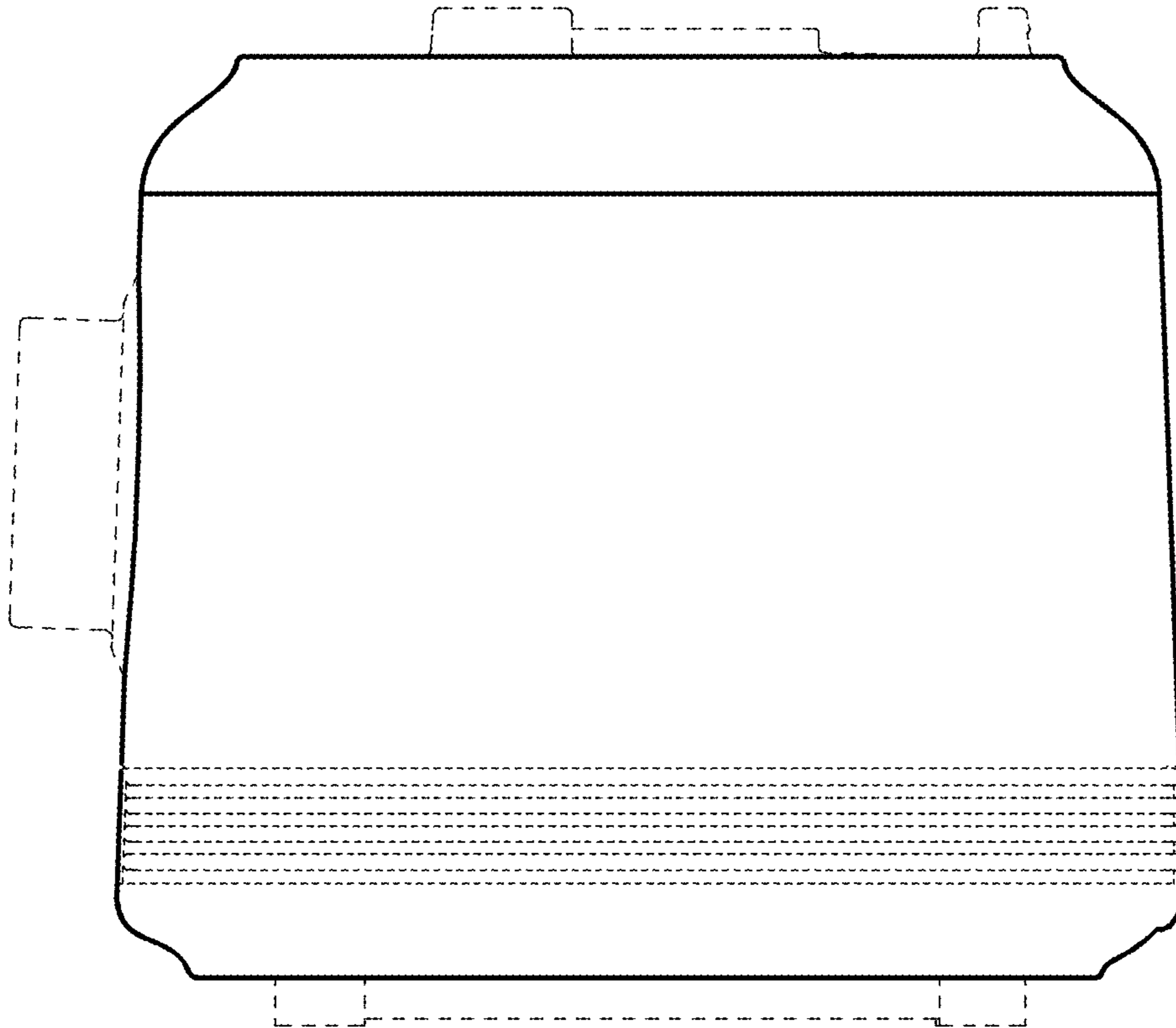


FIG. 4

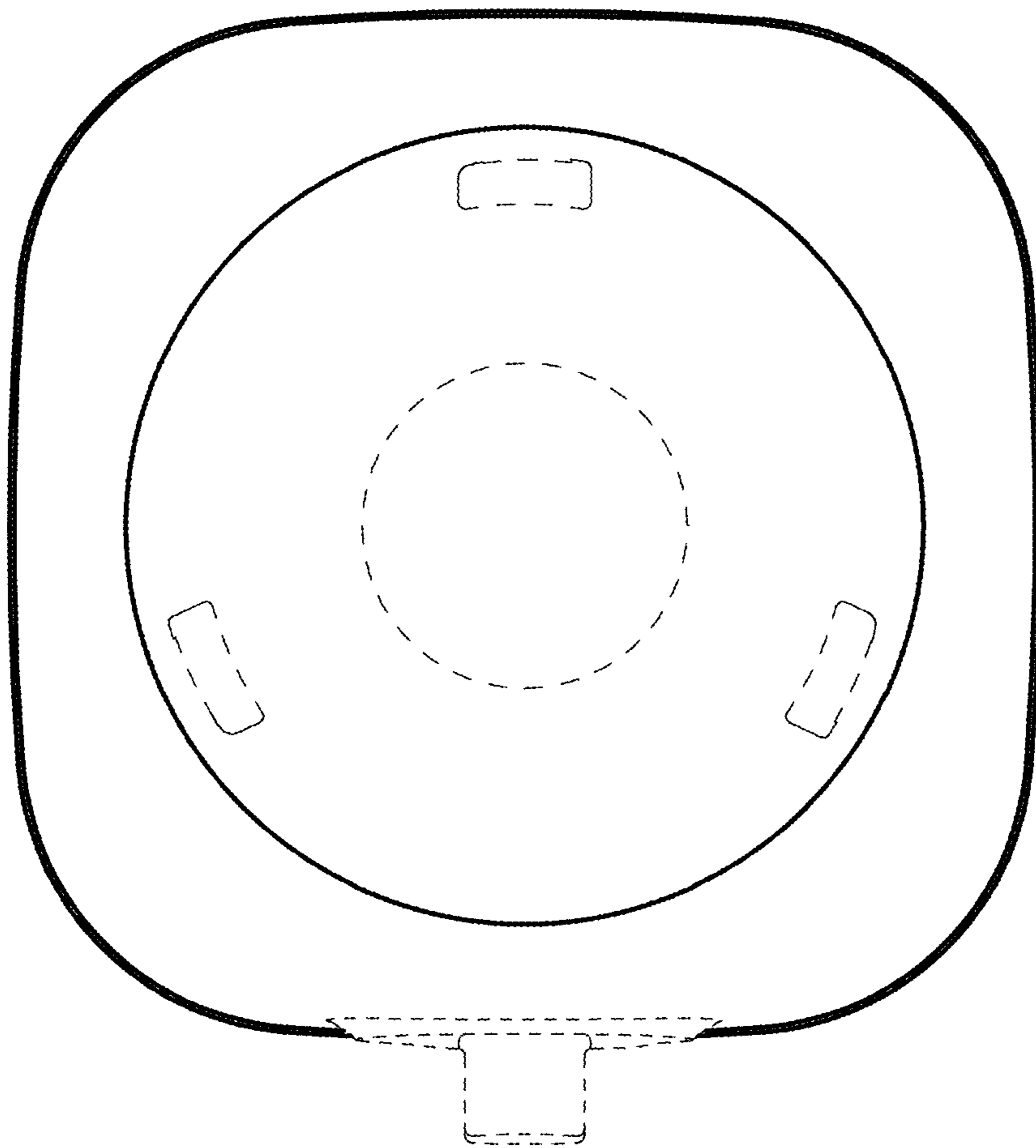


FIG. 5

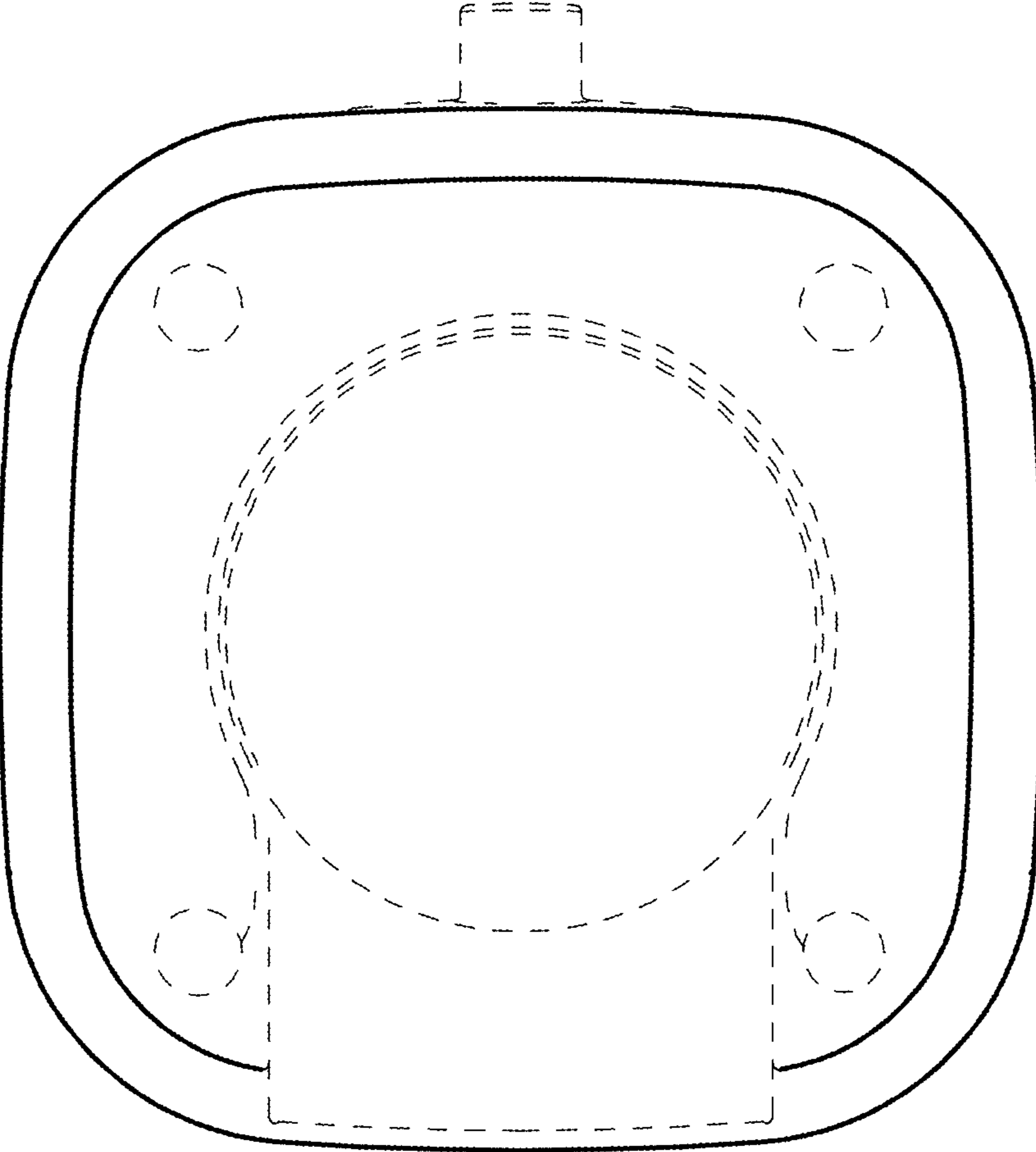


FIG. 6

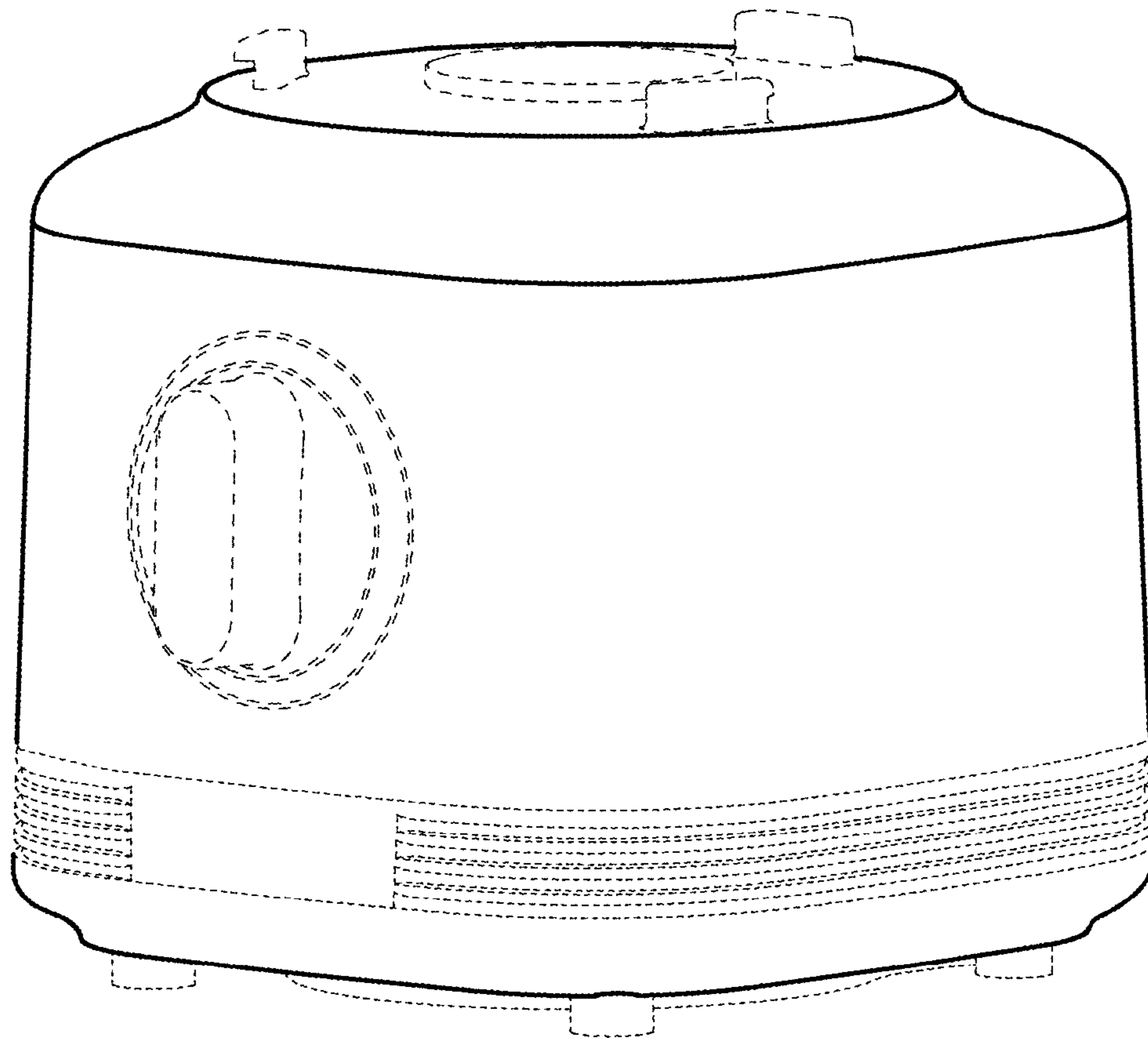


FIG. 7