



US00D798649S

(12) **United States Design Patent** (10) **Patent No.:** **US D798,649 S**
Keating (45) **Date of Patent:** **** Oct. 3, 2017**

- (54) **TAGINE**
- (71) Applicant: **TUESDAY MORNING PARTNERS, LTD.**, Dallas, TX (US)
- (72) Inventor: **Daniel S. Keating**, Colorado Springs, CO (US)
- (73) Assignee: **TUESDAY MORNING PARTNERS, LTD.**, Dallas, TX (US)
- (**) Term: **15 Years**
- (21) Appl. No.: **29/540,136**
- (22) Filed: **Sep. 21, 2015**
- (51) **LOC (10) Cl.** **07-02**
- (52) **U.S. Cl.**
USPC **D7/354**
- (58) **Field of Classification Search**
USPC D3/201, 202, 203.1, 270, 271.1, 272, D3/273, 302, 304, 309, 310, 313, 319, D3/901, 903, 904; D6/515, 516, 524, D6/532, 536, 672, 677, 683, 691, 704, D6/707.15; D7/323, 329–332, 337–339, D7/346–347, 350.1–350.4, 353–368, 391, D7/392.1, 393–398, 402–406, 409, 511, D7/515, 523, 526, 530, 531, 534.1, 538, D7/542, 543, 551, 553.1, 553.2, 553.7, D7/554.1, 554.4, 560–566, 584–588, D7/600.1, 601–615; D9/414, 418, 420, D9/430, 432, 456
CPC A47G 19/12; A47J 27/00; A47J 27/002; A47J 27/004; A47J 27/08; A47J 27/21; A47J 27/58; A47J 35/025; A47J 37/00; A47J 37/10; A47J 37/101; A47J 37/103; A47J 37/1204; A47J 37/0704; A47J 45/061; A47J 45/065; A47J 45/071; A47J 45/08; A47J 29/00; A47J 29/02; A47J 29/04; A47J 29/06; A47J 36/025; H05B 6/06; H05B 6/12; A21B 5/02; A21B 5/026; A21B 5/04; A23B 5/00; A23B 5/005; A23B 5/0052;

(Continued)

(56) **References Cited**

U.S. PATENT DOCUMENTS

D15,122 S 7/1884 Vogt
D96,141 S 7/1935 Smith
(Continued)

FOREIGN PATENT DOCUMENTS

SI 9450092-0002 * 12/1994

OTHER PUBLICATIONS

Tagine Month: Announced Feb. 28, 2011 [online], site visited [Dec. 29, 2016]. Available from Internet URL: <https://www.claycoyote.com/march-is-tagine-month/>.*

(Continued)

Primary Examiner — Thomas Johannes

Assistant Examiner — Catherine Posthauer

(74) *Attorney, Agent, or Firm* — Haynes and Boone, LLP

(57) **CLAIM**

The ornamental design for a tagine, as shown and described.

DESCRIPTION

FIG. 1 is a front perspective view of a tagine showing our new design;

FIG. 2 is a front view thereof, the rear view being a mirror image of the front view;

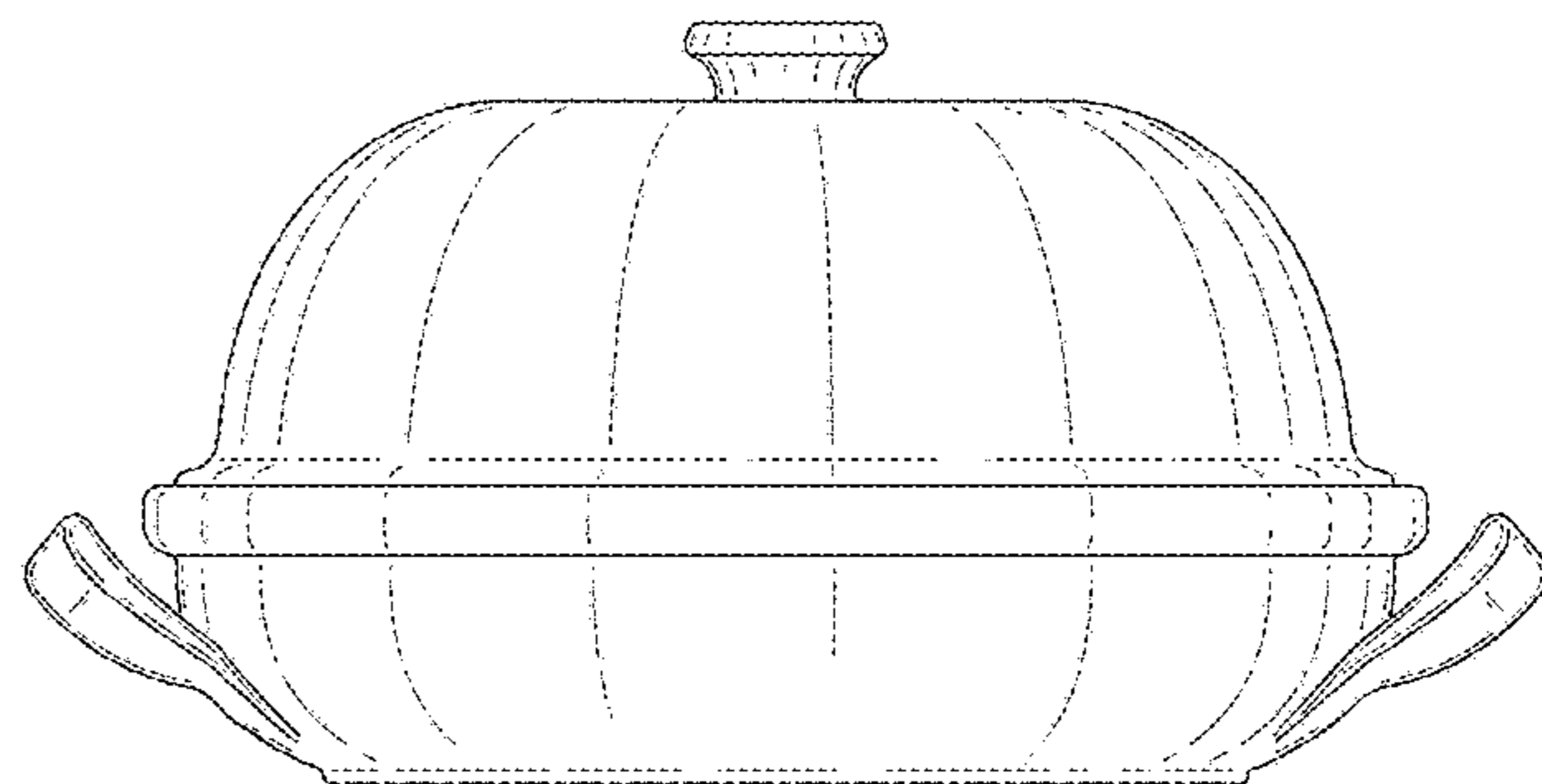
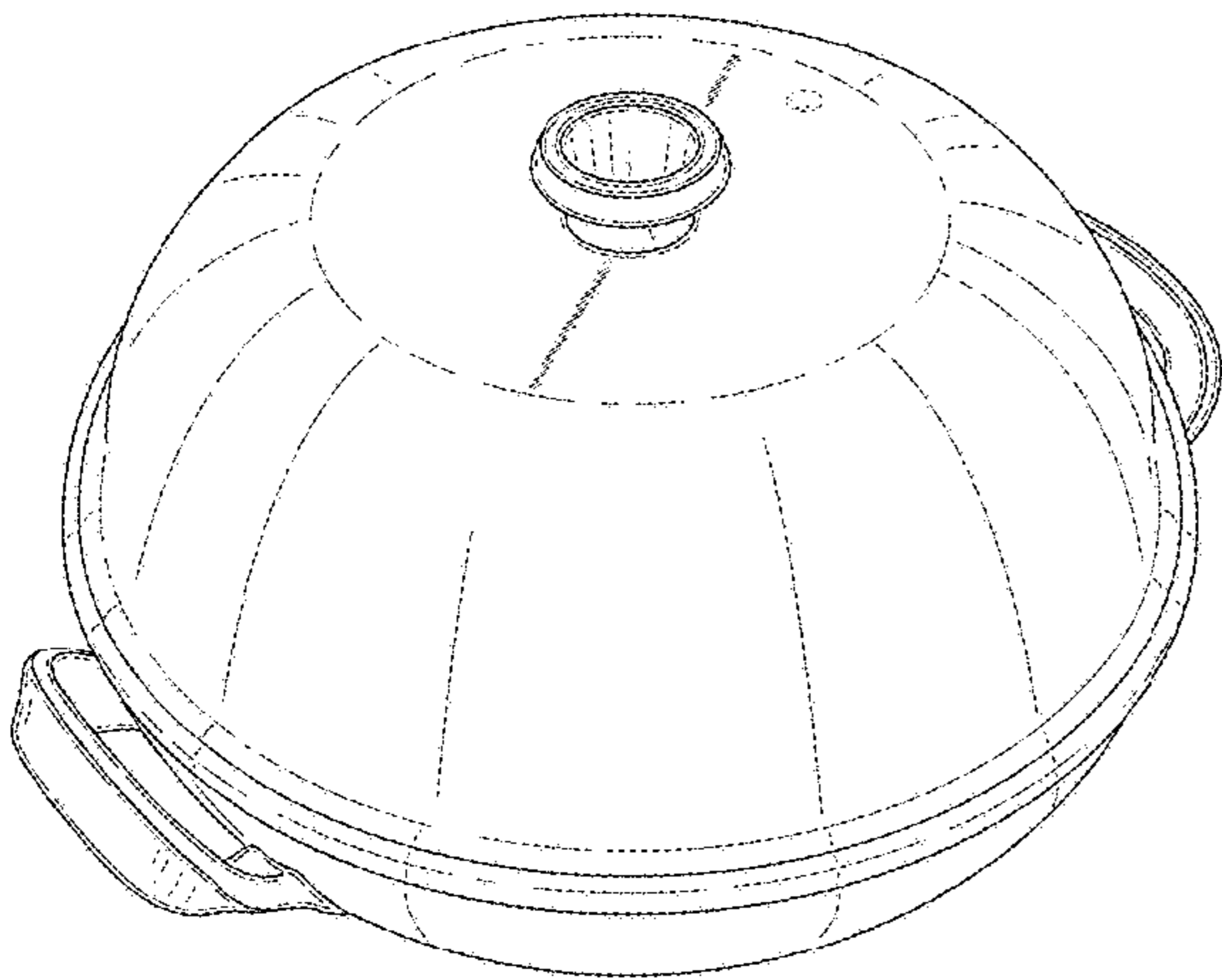
FIG. 3 is a right side view thereof, the left side view being a mirror image of the right side view;

FIG. 4 is a top view thereof; and,

FIG. 5 is a bottom view thereof.

The features shown in broken lines are portions of the tagine forming no part of the claimed design. The features shown in long dash-short dash bolded broken lines indicate the bounds of the claimed design and otherwise form no part of the claimed design.

1 Claim, 5 Drawing Sheets



(58) **Field of Classification Search**

CPC A01K 41/02; A01K 41/023; A01K 41/026;
A01K 41/06; B65D 11/02; B65D 11/18

See application file for complete search history.

2015/0313406 A1* 11/2015 Park H05B 6/6408
219/730
2016/0045052 A1* 2/2016 Yu A47J 27/002
220/573.4
2016/0255984 A1* 9/2016 Affatato A47J 27/04

(56) **References Cited**

U.S. PATENT DOCUMENTS

D117,858 S 11/1939 Thorley
2,269,480 A * 1/1942 Rehm A47J 37/103
126/275 R
D272,128 S * 1/1984 Parmentier D15/90
D272,232 S * 1/1984 Parmentier D15/90
D332,721 S * 1/1993 Jauhal D7/354
5,601,012 A 2/1997 Ellner
D418,009 S 12/1999 Banc
D436,287 S * 1/2001 Choi D7/360
D460,316 S * 7/2002 Coudurier D7/360
D463,197 S * 9/2002 Hall D7/332
D470,715 S * 2/2003 Kloppsteck D7/360
D471,757 S * 3/2003 Kitamura D7/356
D472,098 S * 3/2003 Jeong D7/354
D477,969 S * 8/2003 Griffin D7/354
D479,432 S * 9/2003 Barker D7/360
D514,372 S * 2/2006 Kaposi D7/354
D523,694 S 6/2006 Czebiniak
7,111,546 B2 * 9/2006 Siegel A47J 43/24
34/194
7,165,489 B1 * 1/2007 Fernandez A47J 27/02
126/373.1
D557,972 S * 12/2007 Ablo D7/354
D568,679 S * 5/2008 Regnart D7/391
D594,704 S * 6/2009 Loaiza D7/538
D618,490 S * 6/2010 Li D7/354
D618,492 S * 6/2010 Li D7/354
D625,149 S * 10/2010 Stamper D7/538
D667,273 S 9/2012 Henry
D673,806 S * 1/2013 Upston D7/354
D680,803 S * 4/2013 Varakian D7/354
D683,179 S * 5/2013 Coursey D7/354
D702,990 S * 4/2014 Roussard D7/354
D702,991 S * 4/2014 Roussard D7/354
D708,893 S 7/2014 Henry
D725,958 S * 4/2015 Karako D7/354
D733,498 S * 7/2015 Matharu D7/300
D747,621 S * 1/2016 Amerson D7/354
D755,637 S * 5/2016 Wetton D9/428
2007/0108092 A1 * 5/2007 Minuto B65D 11/02
206/581

OTHER PUBLICATIONS

Big Apple Curry: Announced Nov. 18, 2014 [online], site visited [Dec. 29, 2016]. Available from Internet URL: <http://www.bigapplecurry.com/2014/11/18/moroccan-slow-cooker-tagine/>.
“Vitrified Ceramic Tajine with Round Dome”, printed from <http://winwincn.en.alibaba.com/product/493938061-200877127>, publicly available at least as early as Jul. 21, 2015 (3 pages).
“Traditional Brown Terracotta—Emilio Range”, printed from www.acefastservices.co.uk/rob/abs/products.htm, publicly available at least as early as Jul. 21, 2015 (5 pages).
“Cooks Standard NC-00378 Multi-Ply Clad Stainless Steel Tagine”, printed from www.amazon.com/Cooks-Standard-NC-00378-Multi-Ply-Stainless/dp/B00KLGSP6O, publicly available at least as early as Oct. 5, 2014 (6 pages).
Rabanal, Jane, “Modern Tagine—The Companion Group”, printed from www.coroflot.com/janerabanal/tasting, published Nov. 12, 2011 (6 pages).
“Moroccan Souss Tagine”, printed from www.tagines.com/pd-moroccan-souss-tagine.cfm, publicly available at least as early as Jul. 16, 2015 (2 pages).
“Tagine Arita-yaki Dome Style from Japan”, printed from www.fishpond.com/Homeware/Tagine-Arita-yaki-Dome-style-f...utm_medium=ps&utm_campaign=US&gclid=CKPfhbeq4MYCFQeBaQodlE4Epw, publicly available at least as early as Jul. 16, 2015 (4 pages).
“Tagine and Terracotta Casserole Dish from The Hairy Bikers”, printed from www.fishpond.com/Homeware/Tagine-Arita-yaki-Dome-style-f...utm_medium=ps&utm_campaign=US&gclid=CKPfhbeq4MYCFQeBaQodlE4Epw, posted Aug. 10, 2010 (2 pages).
“Dome Serving Tagine”, printed from www.tagines.com/pd-tiznit-dome-serving-tagine.cfm, publicly available at least as early as Jul. 16, 2015 (2 pages).
“Easter Lamb”, printed from <http://shooterfoodblog.dailymail.co.uk/2013/03/>, publicly available Mar. 18, 2013 (1 page).
“Lamb Tagine with Butternut Squash, Dried Apricots and Almonds”, printed from <http://drosengarten.agilepixelstudio.net/blog/lamb-tagine-with-butternut-squash-dried-apricots-and-almonds/>, posted Dec. 2, 2012 (3 pages).
“Emerilware Tagine”, printed from www.thisnext.com/item/B6D13F55/Emerilware-Tagine, publicly available at least as early as Sep. 11, 2014, per <http://web.archive.org> (2 pages).

* cited by examiner

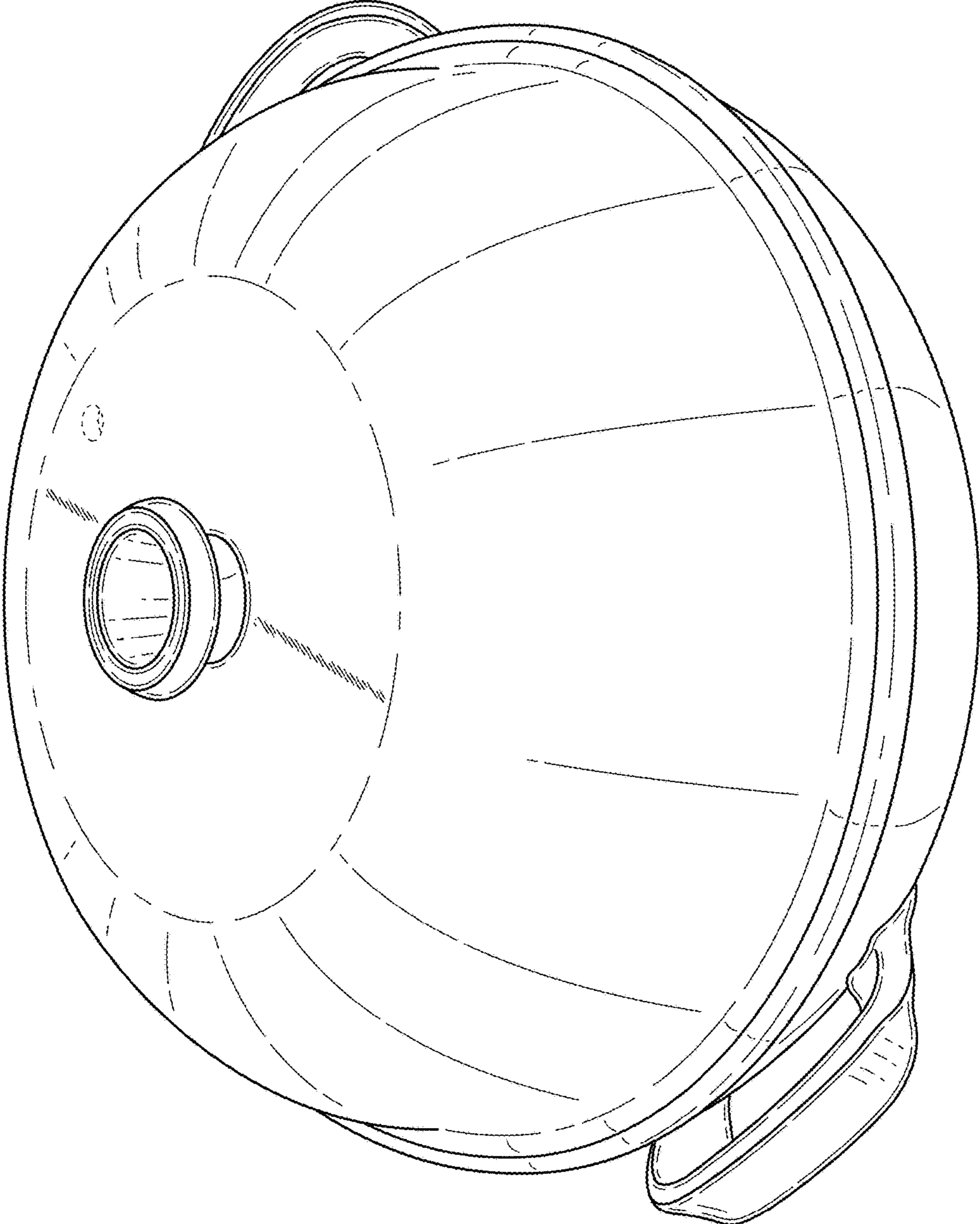


FIG. 1

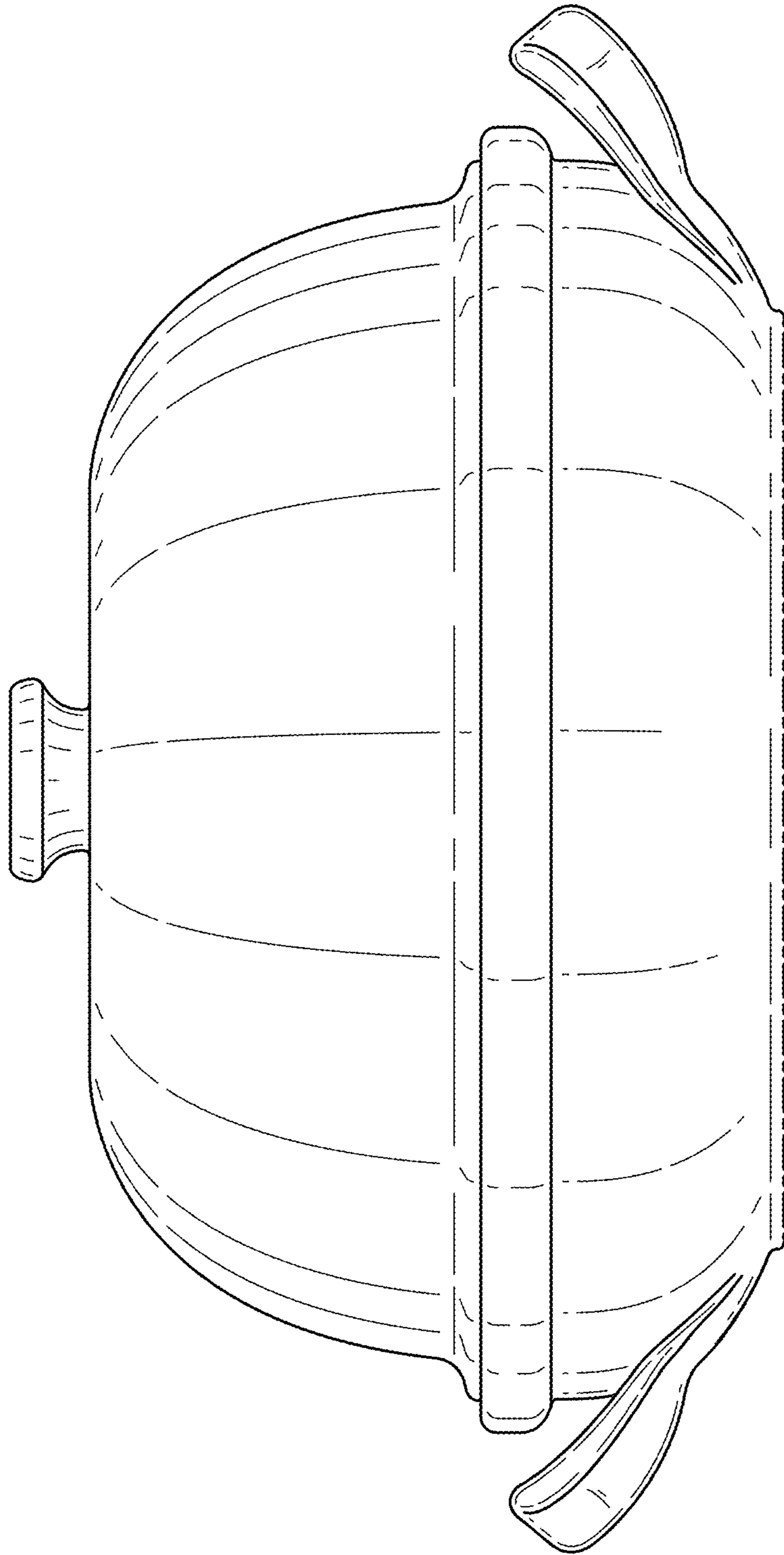


FIG. 2

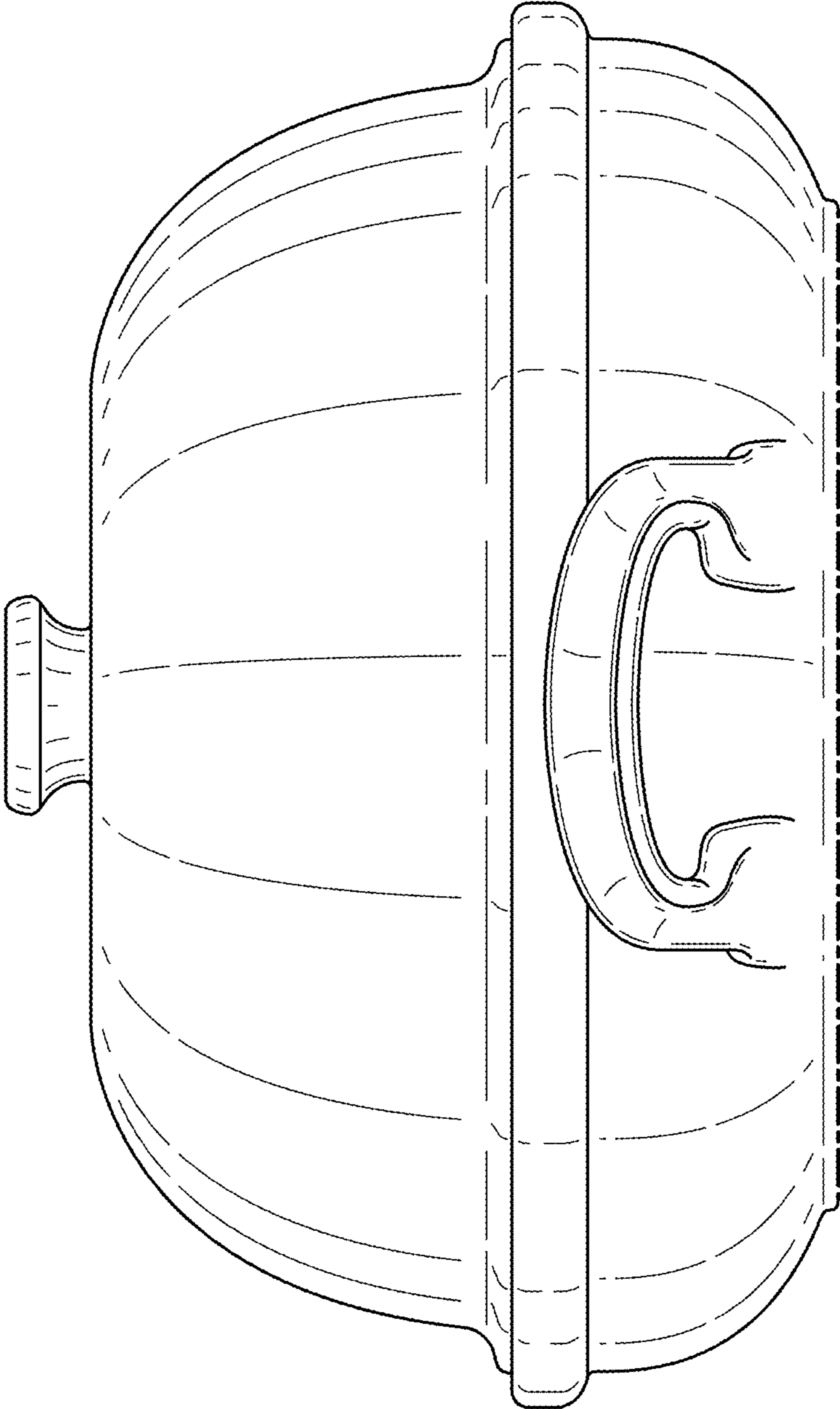


FIG. 3

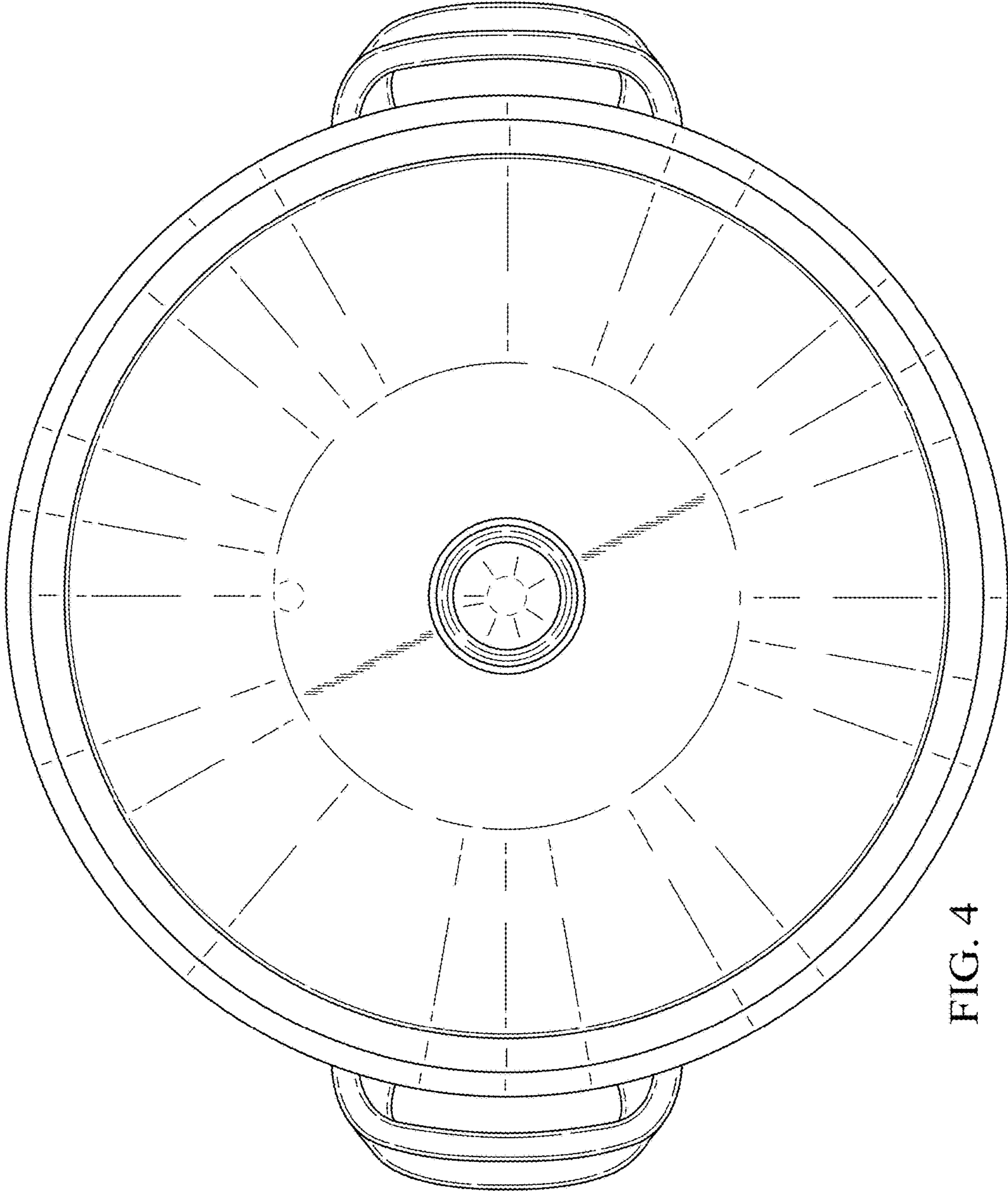


FIG. 4

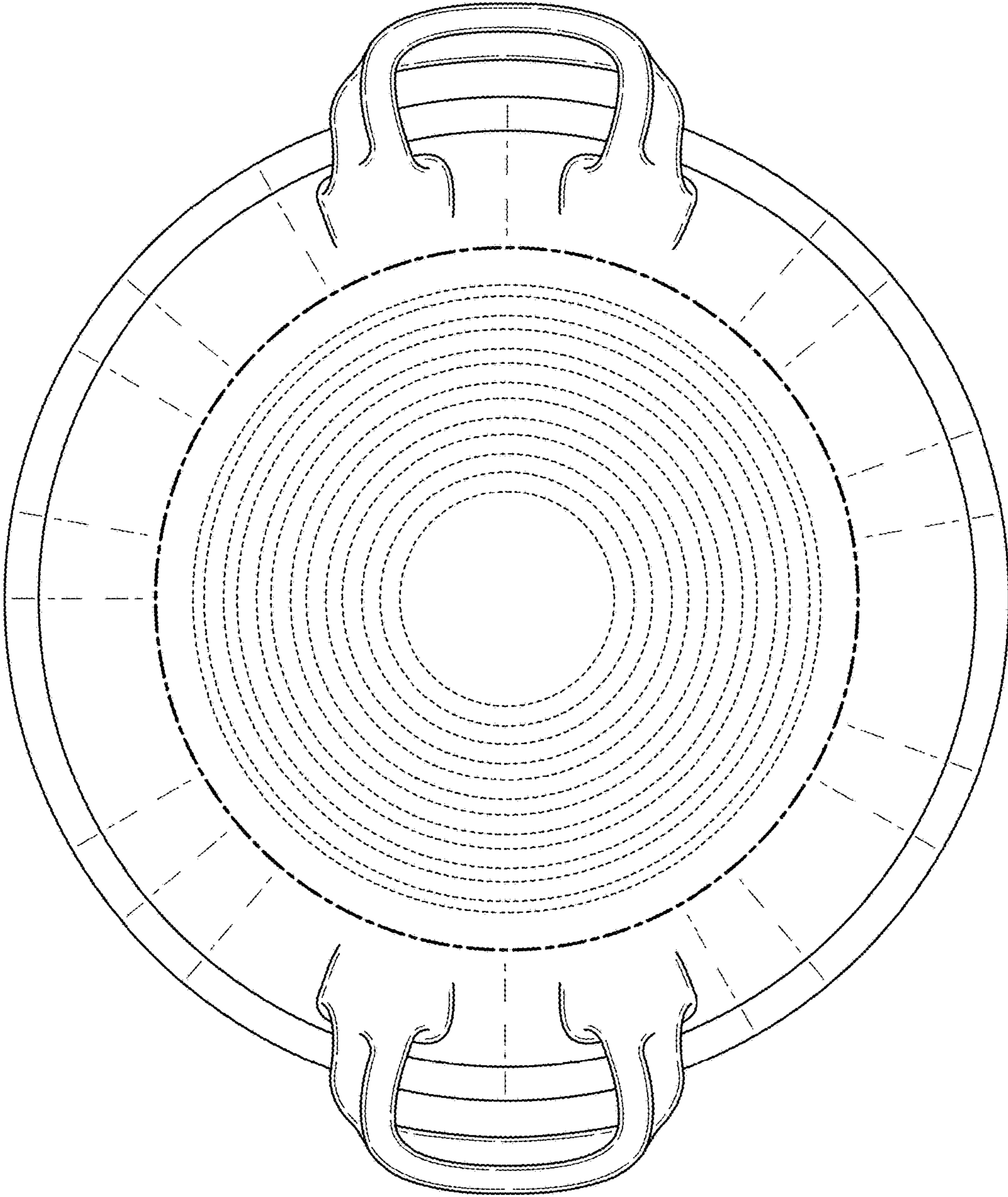


FIG. 5