



US00D798647S

(12) **United States Design Patent**
Chung

(10) **Patent No.:** **US D798,647 S**

(45) **Date of Patent:** **** Oct. 3, 2017**

- (54) **BARBECUE GRILL**
- (71) Applicant: **Shu-Jui Chung**, Taichung (TW)
- (72) Inventor: **Shu-Jui Chung**, Taichung (TW)
- (**) Term: **15 Years**
- (21) Appl. No.: **29/548,521**
- (22) Filed: **Dec. 15, 2015**
- (51) **LOC (10) Cl.** **07-02**
- (52) **U.S. Cl.**
USPC **D7/337**
- (58) **Field of Classification Search**
USPC D7/213, 323, 324, 329, 330, 332, 334,
D7/337, 339, 340, 346, 347, 362, 367
CPC G05D 7/00; F24F 13/07; F24C 5/00; F24C
5/20; F24C 3/00; F24C 3/10; F24C 3/12;
F24C 15/06; F24C 15/10; F24C 15/16;
F24C 15/20; F24B 3/00; F23N 5/22;
B60H 3/00; B32B 15/04; A62C 3/00;
A47J 43/18; A47J 37/00; A47J 37/04;
A47J 37/06; A47J 37/07
See application file for complete search history.

D722,467 S *	2/2015	Chung	D7/337
D722,812 S *	2/2015	Chung	D7/337
D722,813 S *	2/2015	Chung	D7/337
D724,886 S *	3/2015	Chung	D7/337
D726,490 S *	4/2015	Spencer	D7/332
D726,494 S *	4/2015	Mazoyer	D7/362
D739,170 S *	9/2015	Chung	D7/337
D742,681 S *	11/2015	Pai	D7/337
D743,200 S *	11/2015	Pai	D7/337
D747,910 S *	1/2016	Costa	D7/337
D758,785 S *	6/2016	Verbrugge	D7/352
D760,012 S *	6/2016	Lin	D7/337
D772,637 S *	11/2016	Barquin	D7/337
D775,489 S *	1/2017	Zemel	D7/332
2008/0017185 A1 *	1/2008	Lee	F23D 14/045 126/39 K
2011/0214574 A1 *	9/2011	Chang	A47J 37/00 99/340

* cited by examiner

Primary Examiner — Manpreet Matharu

Assistant Examiner — Suzanne Tisdell

(57) **CLAIM**

I claim the ornamental design for a barbecue grill, as shown and described.

DESCRIPTION

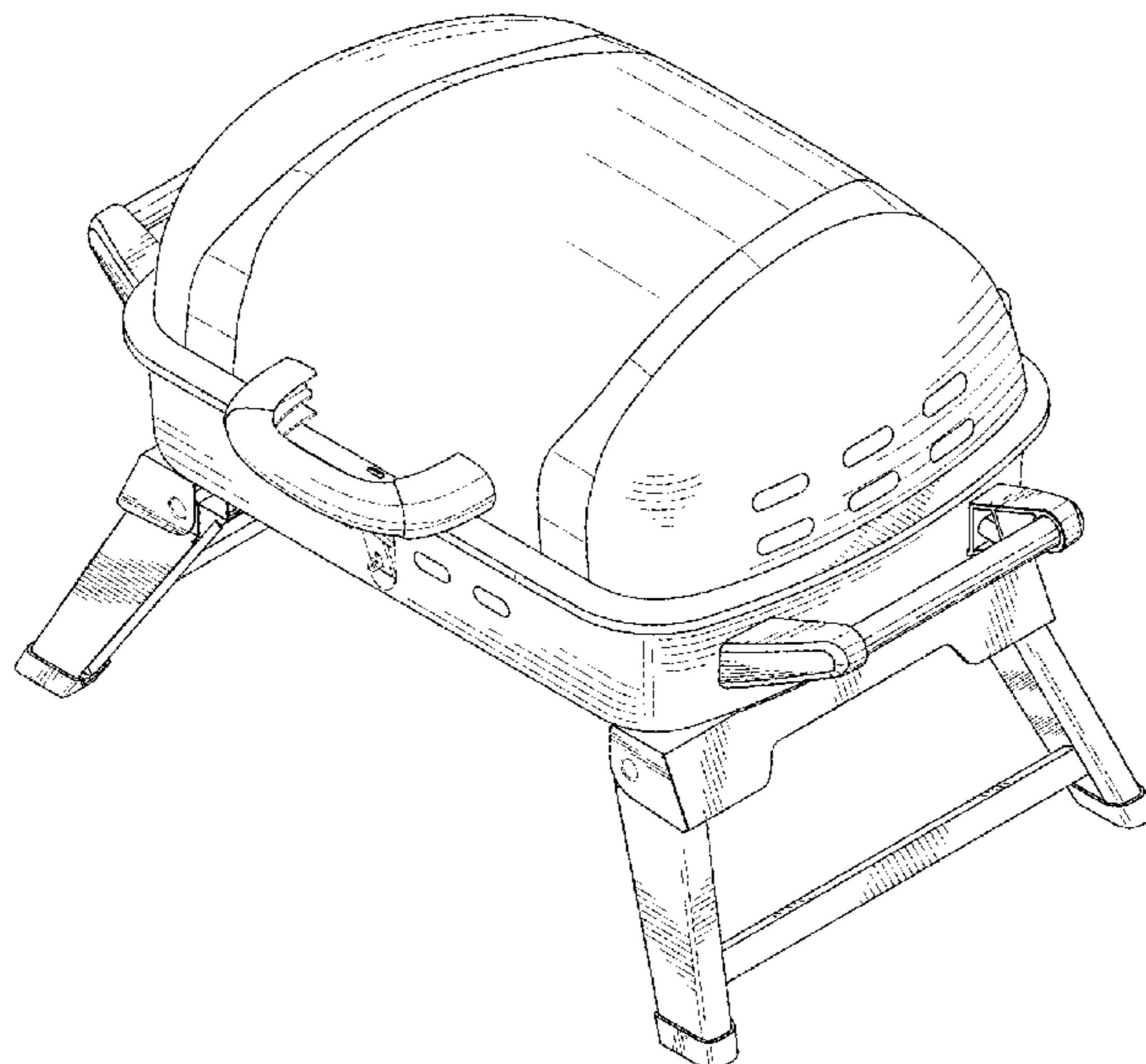
FIG. 1 is a perspective view of a barbecue grill in accordance with the present invention, showing my new design;
 FIG. 2 is a front elevational view thereof;
 FIG. 3 is a rear elevational view thereof;
 FIG. 4 is a left side elevational view thereof;
 FIG. 5 is a right side elevational view thereof;
 FIG. 6 is a top plan view thereof; and,
 FIG. 7 is a bottom plan view thereof.
 The broken lines shown in the drawings are for the purpose of illustrating unclaimed portions of the barbecue grill and form no part of the claimed design.

1 Claim, 7 Drawing Sheets

(56) **References Cited**

U.S. PATENT DOCUMENTS

D503,306 S *	3/2005	Huang	D7/337
D521,307 S *	5/2006	Parrant	D7/334
D568,671 S *	5/2008	Cheng	D7/337
D611,292 S *	3/2010	Chung	D7/337
D615,799 S *	5/2010	Best	D7/337
D630,464 S *	1/2011	Chung	D7/337
D631,685 S *	2/2011	Tiller	D7/337
D662,762 S *	7/2012	Chung	D7/337
D676,702 S *	2/2013	Chung	D7/337
D677,107 S *	3/2013	Chung	D7/337
D677,108 S *	3/2013	Chung	D7/337
D677,110 S *	3/2013	Chung	D7/337
D677,111 S *	3/2013	Chung	D7/337



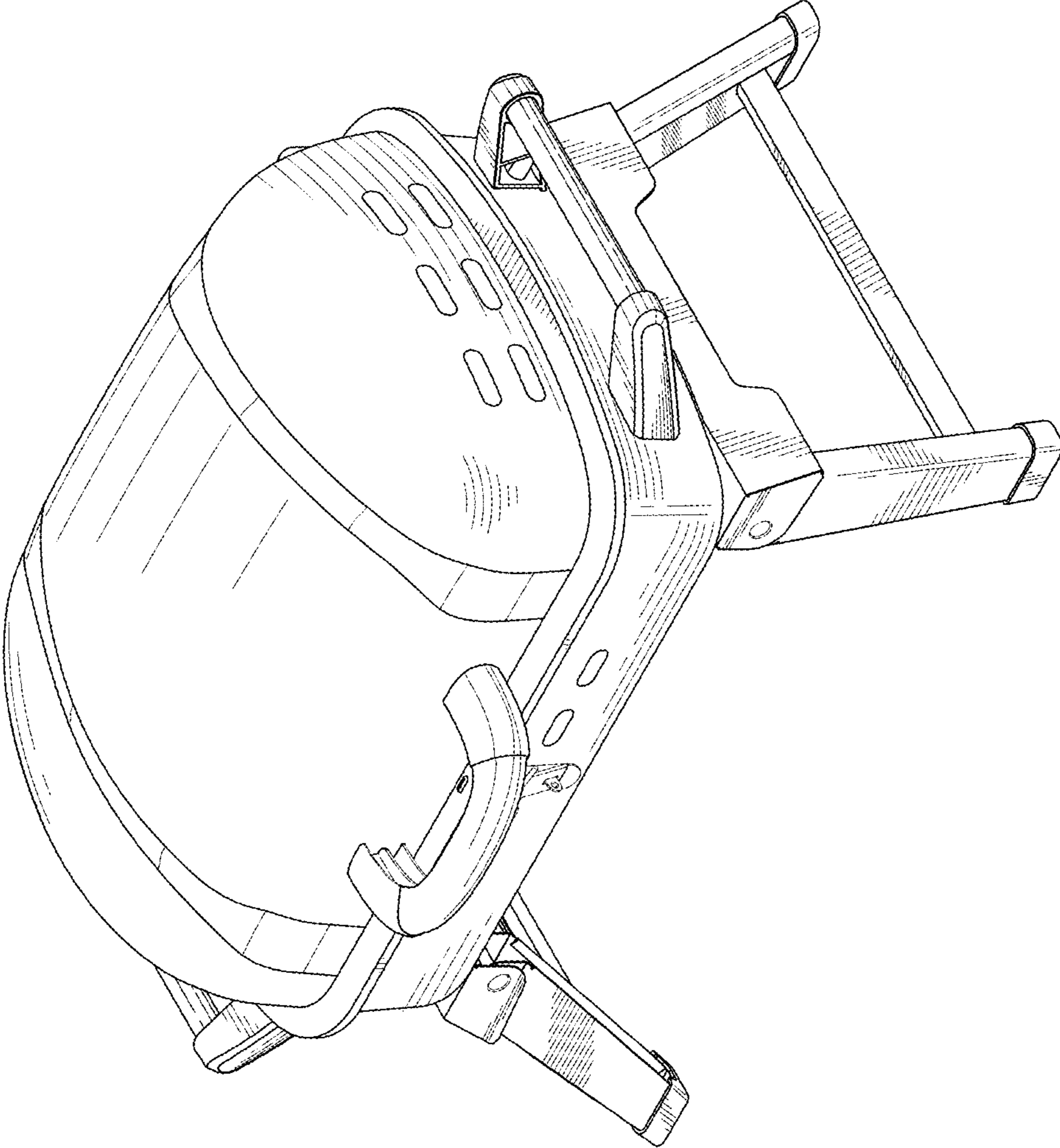


FIG.1

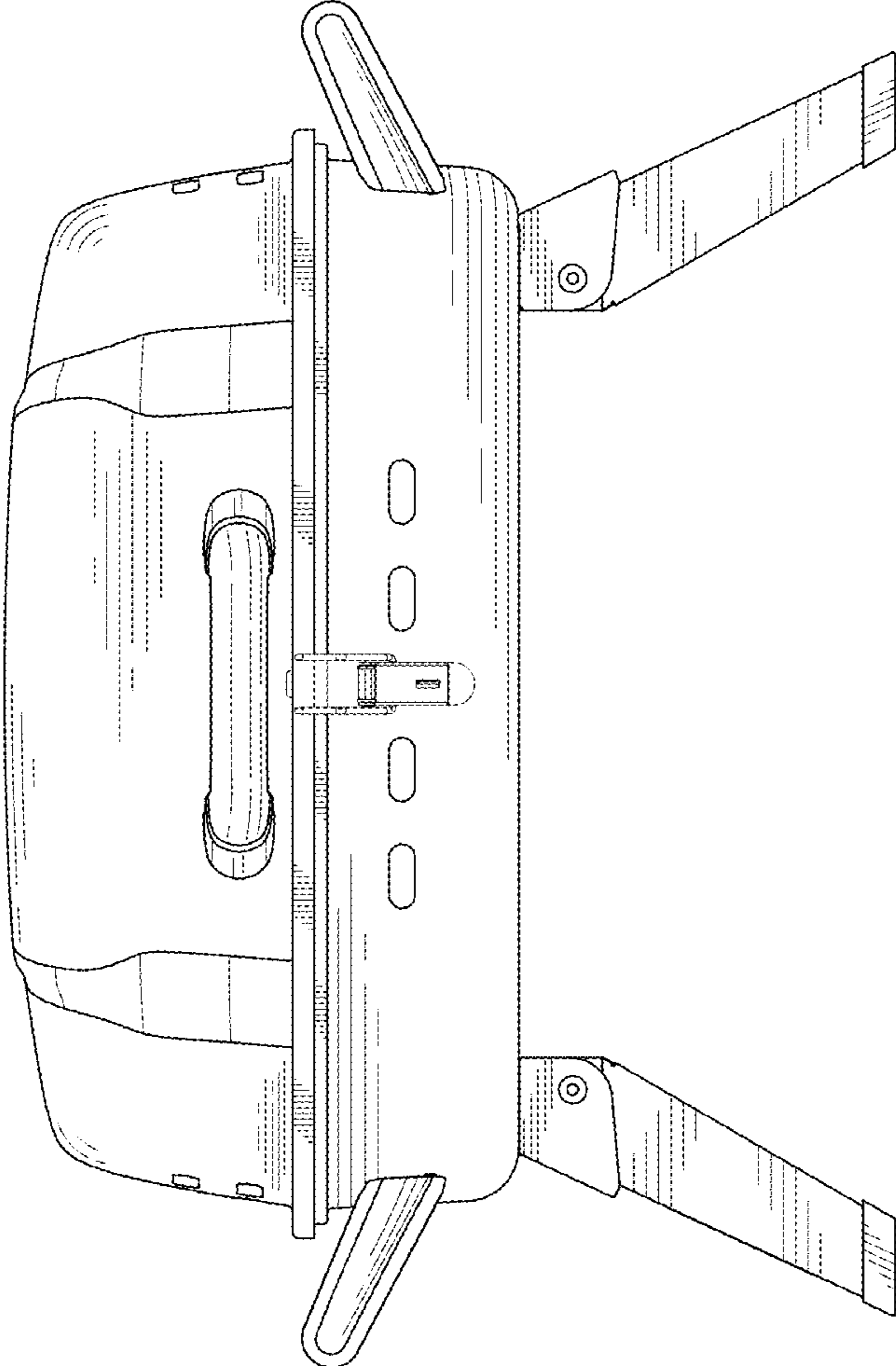


FIG.2

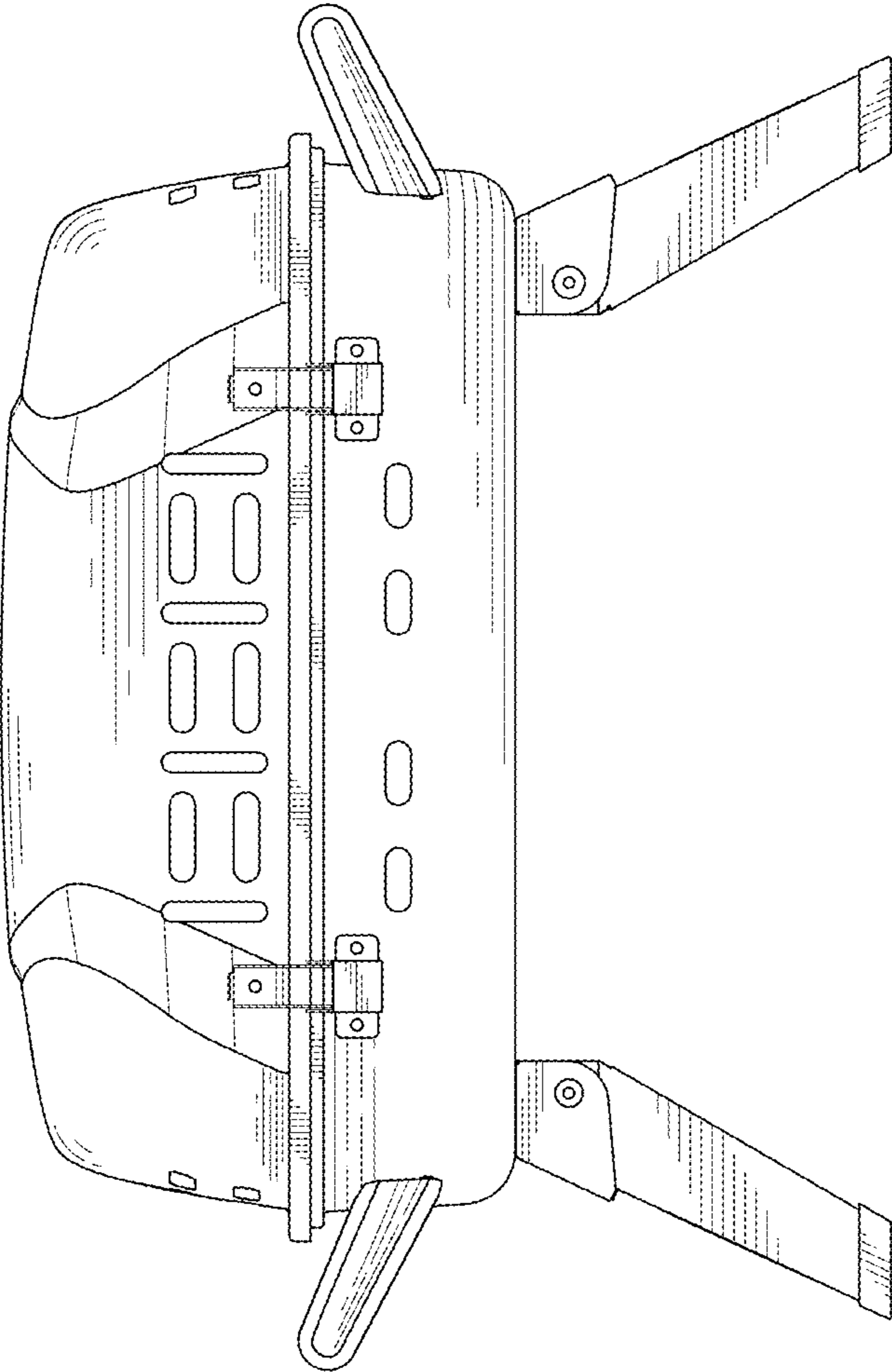


FIG.3

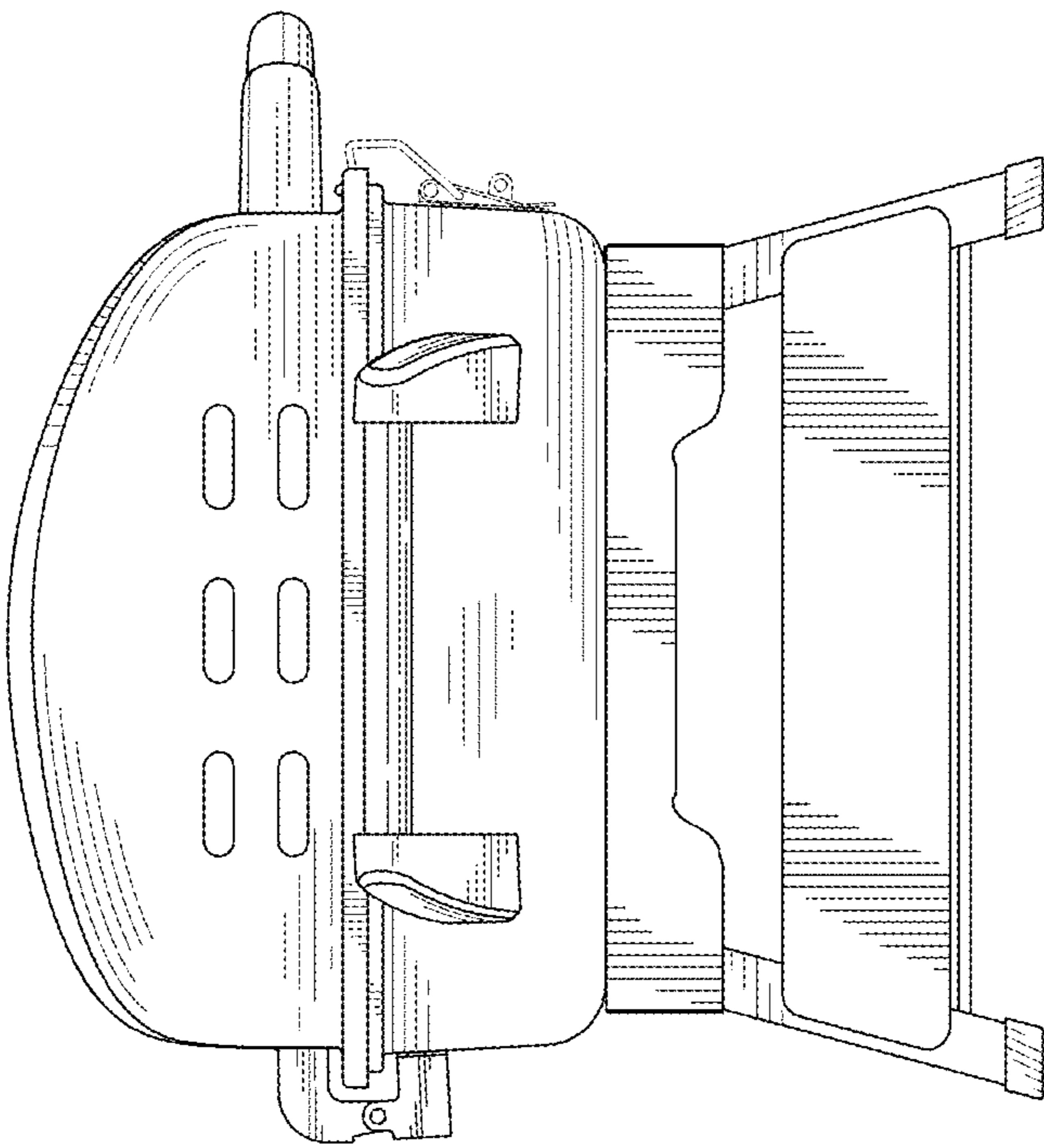


FIG.4

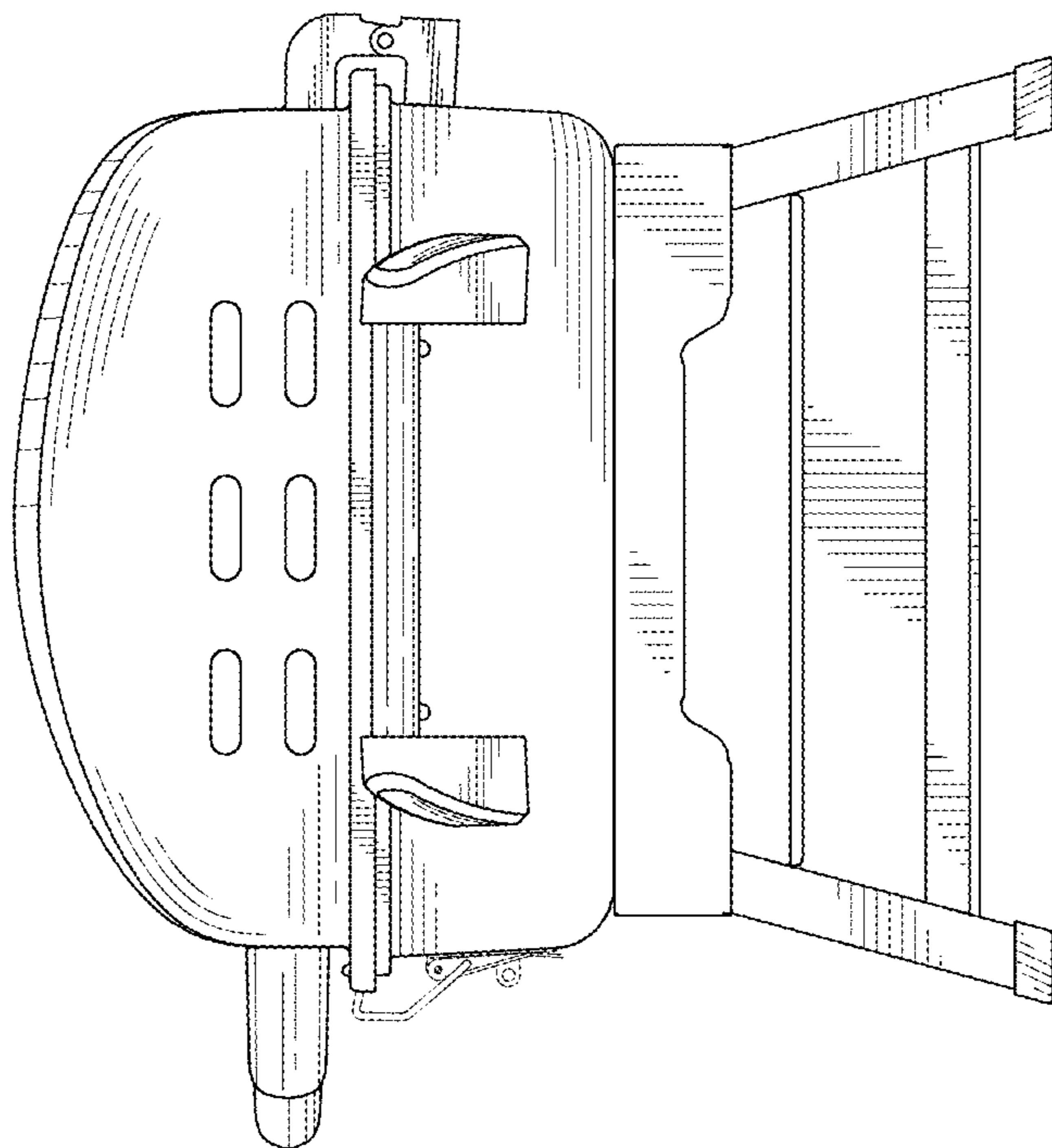


FIG.5

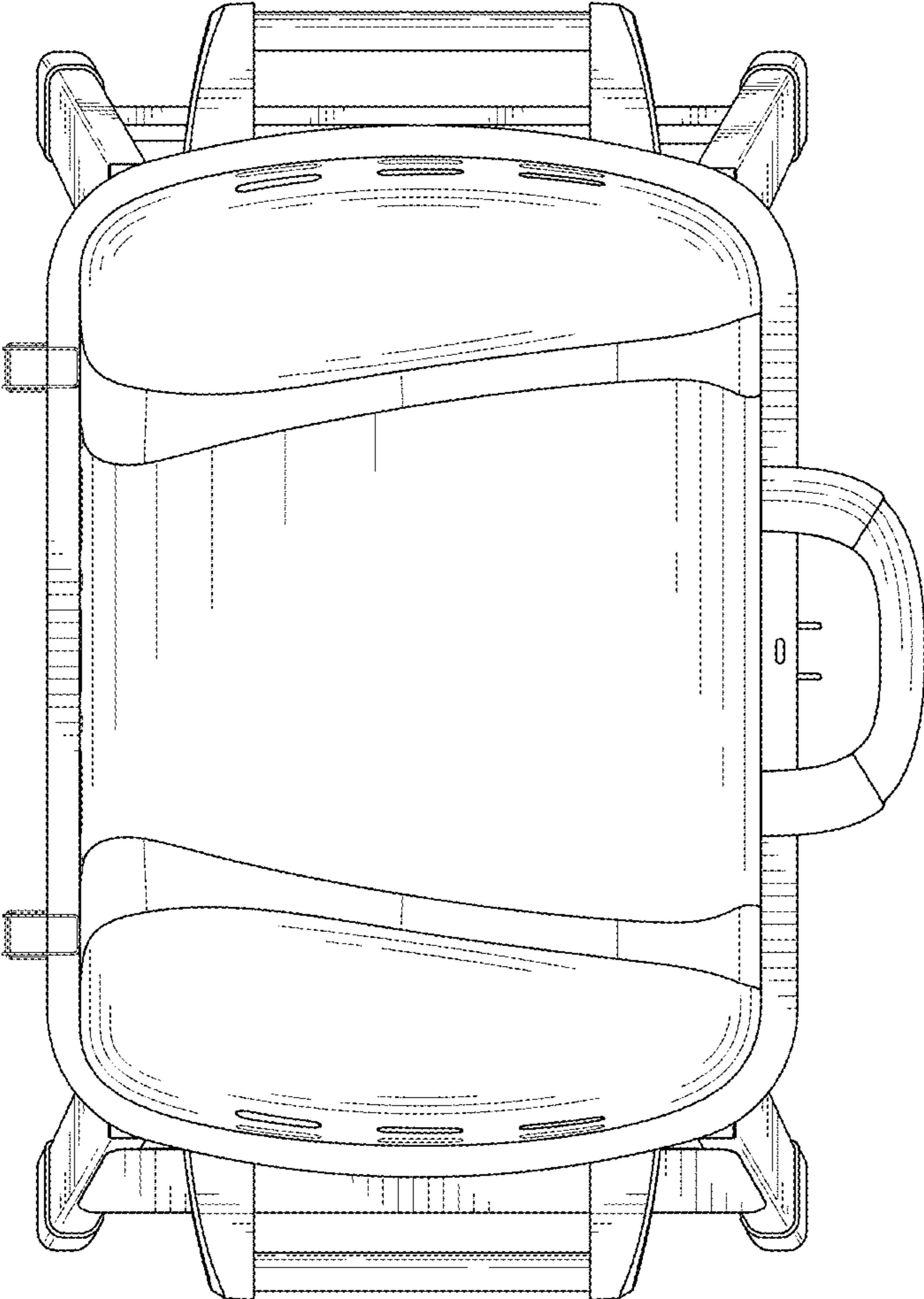


FIG.6

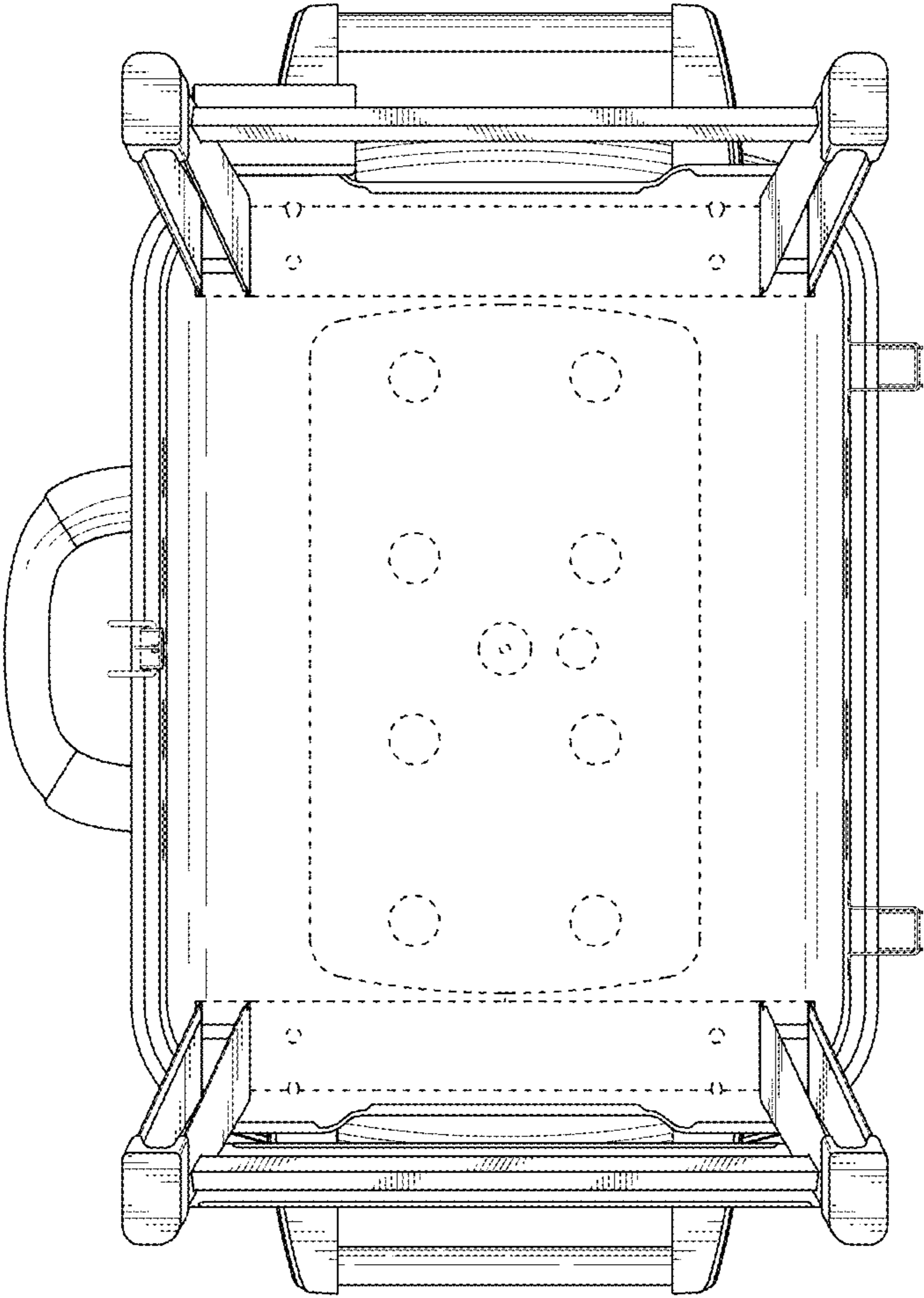


FIG.7