



US00D798646S

(12) **United States Design Patent** (10) **Patent No.:** **US D798,646 S**  
**Lira-Nunez** (45) **Date of Patent:** **\*\* Oct. 3, 2017**

(54) **GRILL WITH CABINET**

(71) Applicant: **Carmen O. Lira-Nunez**, Downers Grove, IL (US)

(72) Inventor: **Carmen O. Lira-Nunez**, Downers Grove, IL (US)

(73) Assignee: **Weber-Stephen Products LLC**, Palatine, IL (US)

(\*\*) Term: **15 Years**

(21) Appl. No.: **29/552,959**

(22) Filed: **Jan. 27, 2016**

**Related U.S. Application Data**

(63) Continuation of application No. 29/552,650, filed on Jan. 25, 2016.

(51) **LOC (10) Cl.** ..... **07-02**

(52) **U.S. Cl.**  
USPC ..... **D7/334**

(58) **Field of Classification Search**  
USPC ..... D7/213, 323, 324, 325, 326, 327, 328, D7/329, 330, 331, 332, 333, 334, 335, D7/336, 337, 402, 404, 405, 406, 407  
(Continued)

(56) **References Cited**

**U.S. PATENT DOCUMENTS**

D461,359 S 8/2002 Coleman  
D465,693 S \* 11/2002 Coleman ..... D7/334  
(Continued)

**OTHER PUBLICATIONS**

Photographs of grill manufactured in 2005 by Chinese entity Perfect Glo.

(Continued)

*Primary Examiner* — Manpreet Matharu

*Assistant Examiner* — Suzanne Tisdell

(74) *Attorney, Agent, or Firm* — Vitale Vickrey Niro & Gasey

(57) **CLAIM**

The ornamental design for a grill with cabinet, as shown and described.

**DESCRIPTION**

FIG. 1 is a perspective view of a grill with cabinet of the present invention.

FIG. 2 is a front view of the grill with cabinet of the present invention.

FIG. 3 is a left side view of the grill with cabinet of the present invention.

FIG. 4 is a right side view of the grill with cabinet of the present invention.

FIG. 5 is a top view of the grill with cabinet of the present invention.

FIG. 6 is a back view of the grill with cabinet of the present invention.

FIG. 7 is a bottom view of the grill with cabinet of the present invention.

FIG. 8 is a perspective view of the grill with cabinet with the items shown in broken line in FIG. 1 removed.

FIG. 9 is a front view of the grill with cabinet with the items shown in broken line in FIG. 2 removed.

FIG. 10 is a left side view of the grill with cabinet with the items shown in broken line in FIG. 3 removed.

FIG. 11 is a right side view of the grill with cabinet with the items shown in broken line in FIG. 4 removed.

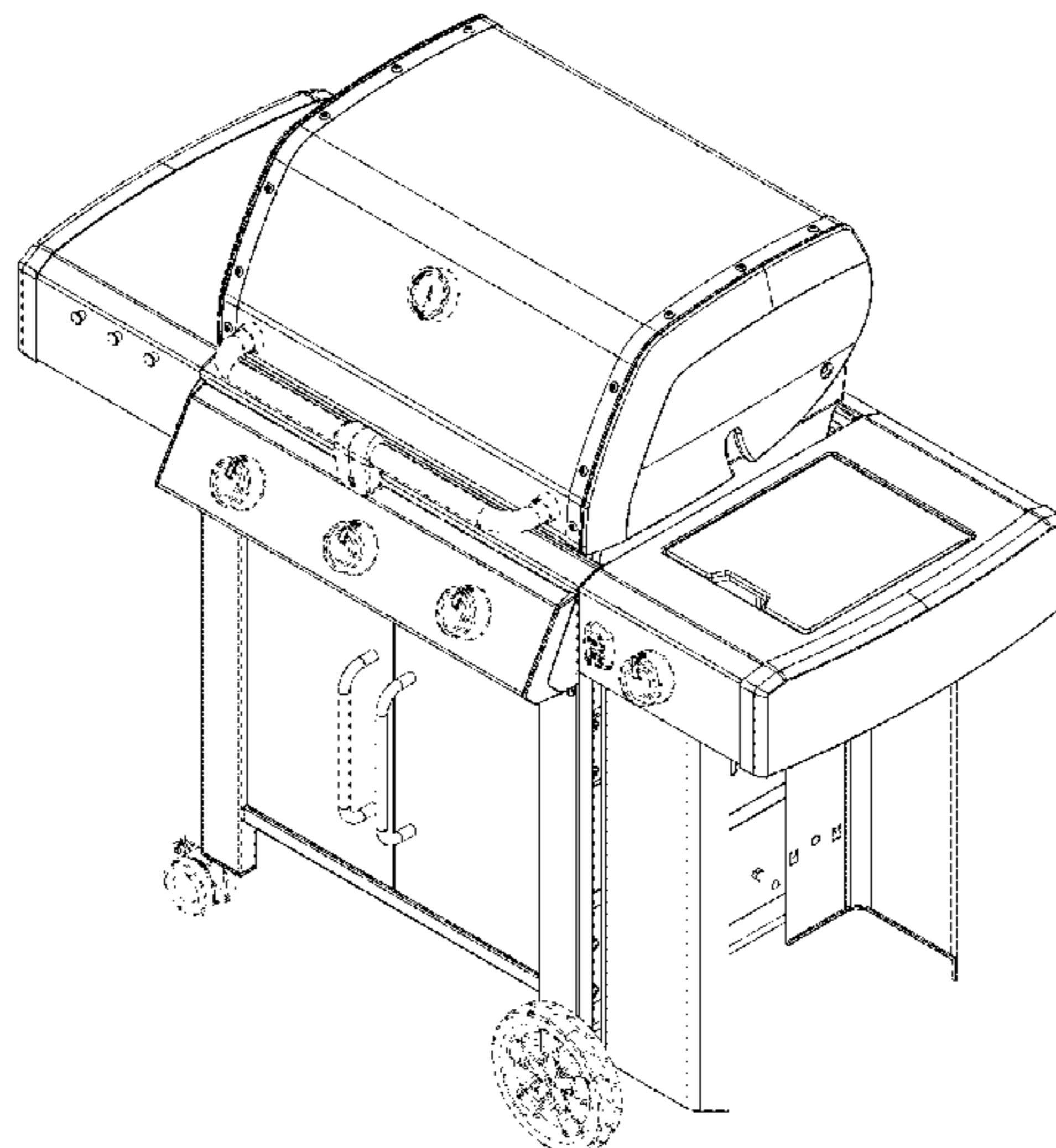
FIG. 12 is a top view of the grill with cabinet with the items shown in broken line in FIG. 5 removed.

FIG. 13 is a back view of the grill with cabinet with the items shown in broken line in FIG. 6 removed; and,

FIG. 14 is a bottom view of the grill with cabinet with the items shown in broken line in FIG. 7 removed.

The broken lines shown in the Figures are for illustration purposes only and form no part of the claimed design.

**1 Claim, 12 Drawing Sheets**



(58) **Field of Classification Search**

CPC ..... A47J 37/0781; A47J 2037/0777; A47J  
37/0745-37/0772; A47J 37/0731-37/074;  
A47J 37/0718-37/0727; A47J  
37/07-37/0713; A47J 3/04-3/0417; A47J  
33/00

See application file for complete search history.

(56) **References Cited**

U.S. PATENT DOCUMENTS

D470,357 S 2/2003 Home  
D471,057 S 3/2003 Chung  
D483,983 S 12/2003 Harrod  
D521,308 S 5/2006 Tseng  
D525,072 S \* 7/2006 Wilgus ..... D7/334  
D551,499 S 9/2007 Bruno  
D560,953 S 2/2008 Bruno  
D564,834 S 3/2008 Bruno  
D579,709 S \* 11/2008 Proffitt ..... D7/334  
D609,045 S 2/2010 Bruno  
D658,926 S \* 5/2012 Chung ..... D7/334  
D660,073 S \* 5/2012 Chung ..... D7/334  
D660,074 S \* 5/2012 Chung ..... D7/334  
D661,538 S \* 6/2012 Chung ..... D7/334  
D679,937 S \* 4/2013 Chung ..... D7/334  
D681,389 S \* 5/2013 Goecke ..... D7/334  
D687,667 S \* 8/2013 Chien ..... D7/334  
D687,669 S \* 8/2013 Chung ..... D7/334  
D688,082 S \* 8/2013 Crick ..... D7/334  
D697,357 S \* 1/2014 Goecke ..... D7/334  
D712,191 S \* 9/2014 Chung ..... D7/334  
D717,097 S \* 11/2014 Lin ..... D7/334  
D722,809 S \* 2/2015 Chung ..... D7/334  
D722,810 S \* 2/2015 Chung ..... D7/334  
D723,321 S \* 3/2015 Chung ..... D7/334  
D726,491 S \* 4/2015 Witzel ..... D7/334

D731,843 S \* 6/2015 Chung ..... D7/334  
D732,874 S \* 6/2015 Chung ..... D7/334  
D736,026 S \* 8/2015 Kam ..... D7/334  
D737,092 S \* 8/2015 Lin ..... D7/334  
D744,775 S \* 12/2015 Yang ..... D7/334  
D747,909 S \* 1/2016 Simms, II ..... D7/332  
D748,423 S \* 2/2016 Chiang ..... D7/334  
D753,430 S \* 4/2016 Wagner ..... D7/334  
D769,667 S \* 10/2016 Ting ..... D7/332  
D773,229 S \* 12/2016 Jaggard ..... D7/334  
D773,879 S \* 12/2016 Magee ..... D7/334  
D776,476 S \* 1/2017 Euwer ..... D7/334  
2008/0121118 A1 \* 5/2008 Sikes ..... A47J 37/07  
99/447  
2008/0229937 A1 \* 9/2008 Stephen ..... A47J 37/07  
99/421 R  
2010/0132689 A1 \* 6/2010 Contarino, Jr. .... A47J 37/067  
126/25 B  
2013/0112088 A1 \* 5/2013 May ..... A47J 37/07  
99/421 H  
2014/0261378 A1 \* 9/2014 Barreto ..... A47J 37/0713  
126/25 R  
2014/0318524 A1 \* 10/2014 Measom ..... A47J 37/0704  
126/25 R  
2015/0004297 A1 \* 1/2015 Pothetes ..... A47J 37/00  
426/523  
2016/0208837 A1 \* 7/2016 Chang ..... F16B 5/02

OTHER PUBLICATIONS

Sears 2013 Simply Outdoors Catalog, pp. 62-64, Kenmore Elite 500 Series gas grill.  
Sears Owner's Manual for Kenmore Elite Liquid Propane Gas Grill Model 141.16680, dated Dec. 16, 2002.  
Blue Rhino Global Sourcing Owner's Manual for UniFlame Outdoor LP Gas Barbecue Grill Model No. NSG3902D, dated 2005.

\* cited by examiner

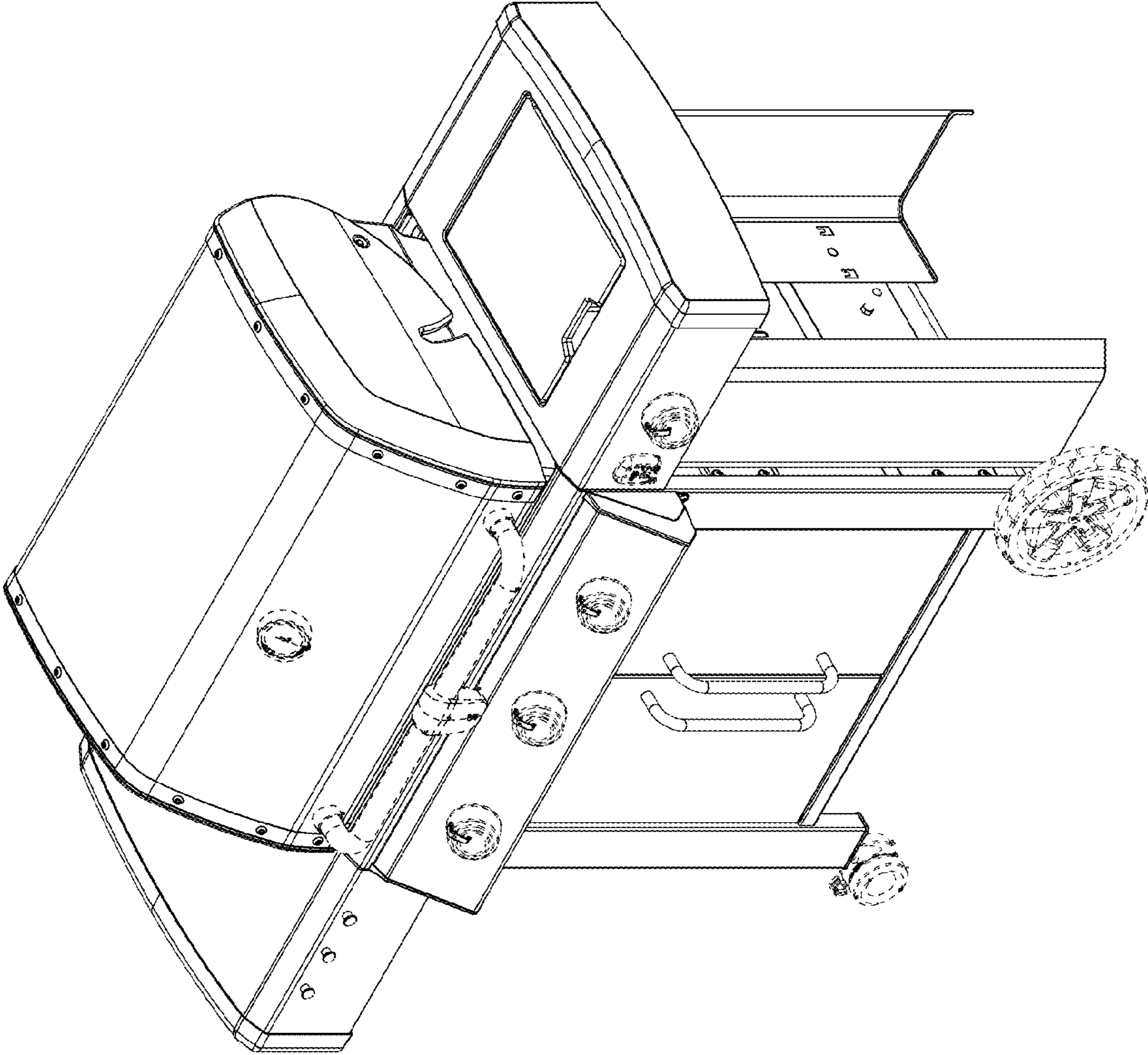


Fig. 1

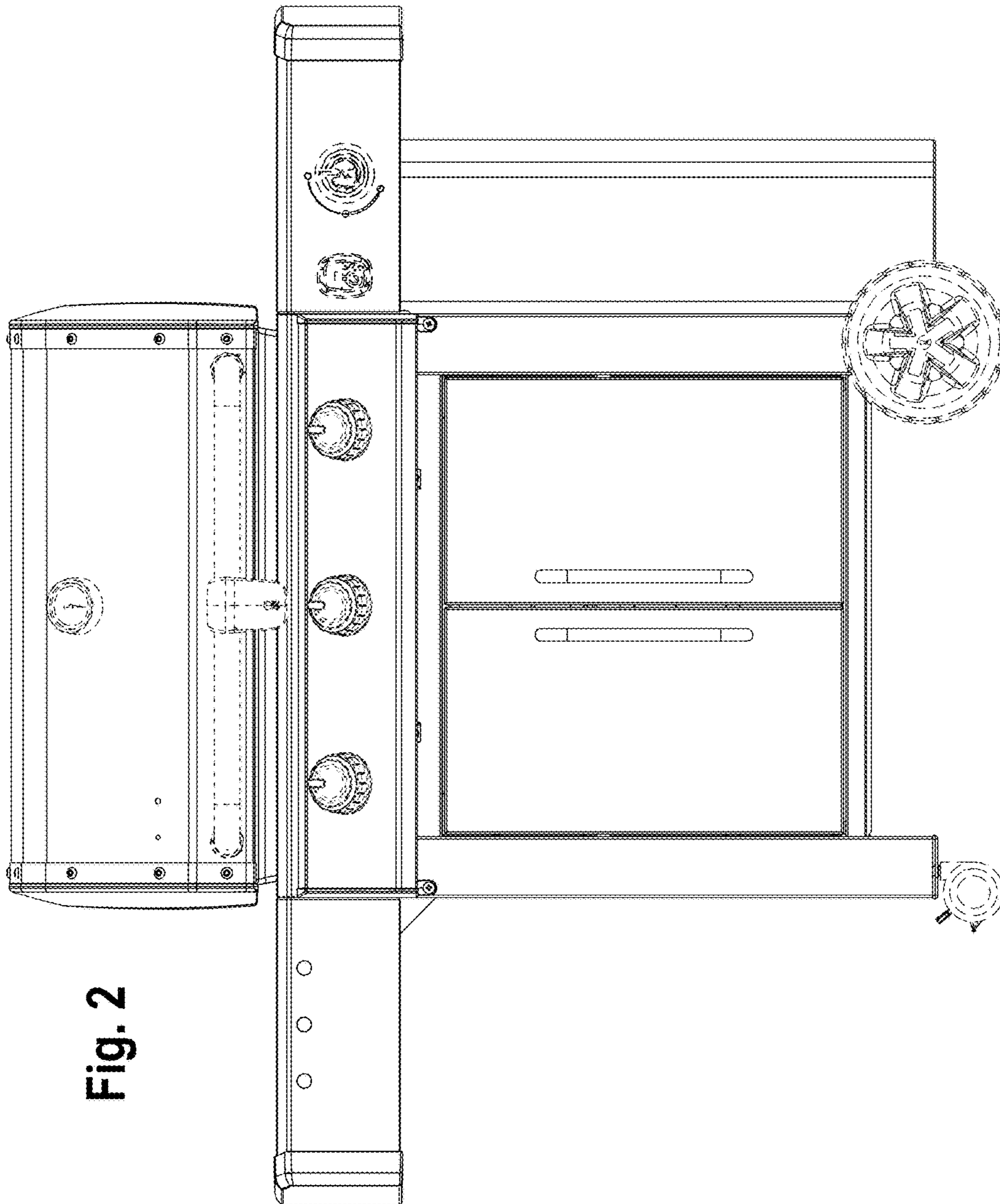


Fig. 2

Fig. 4

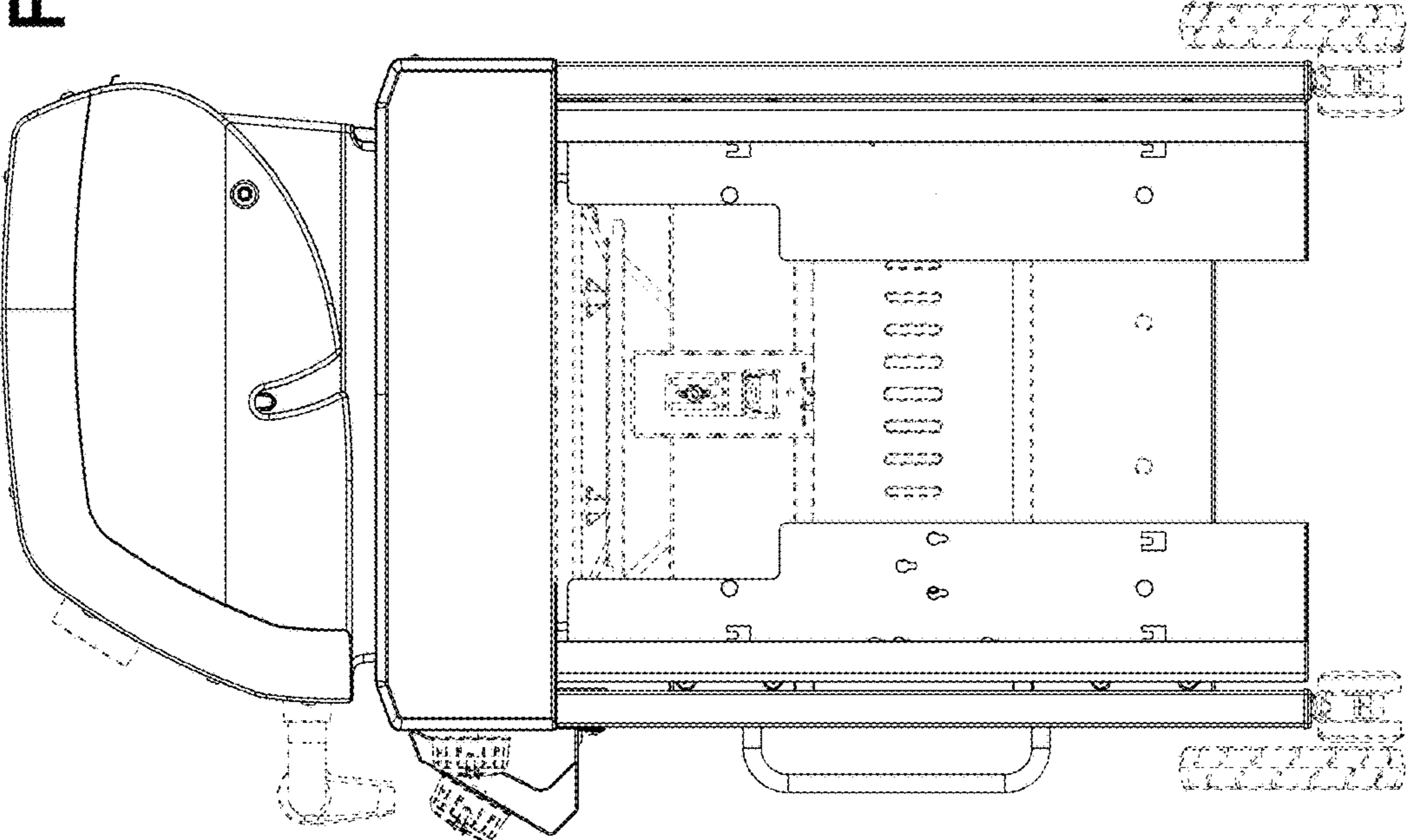


Fig. 3

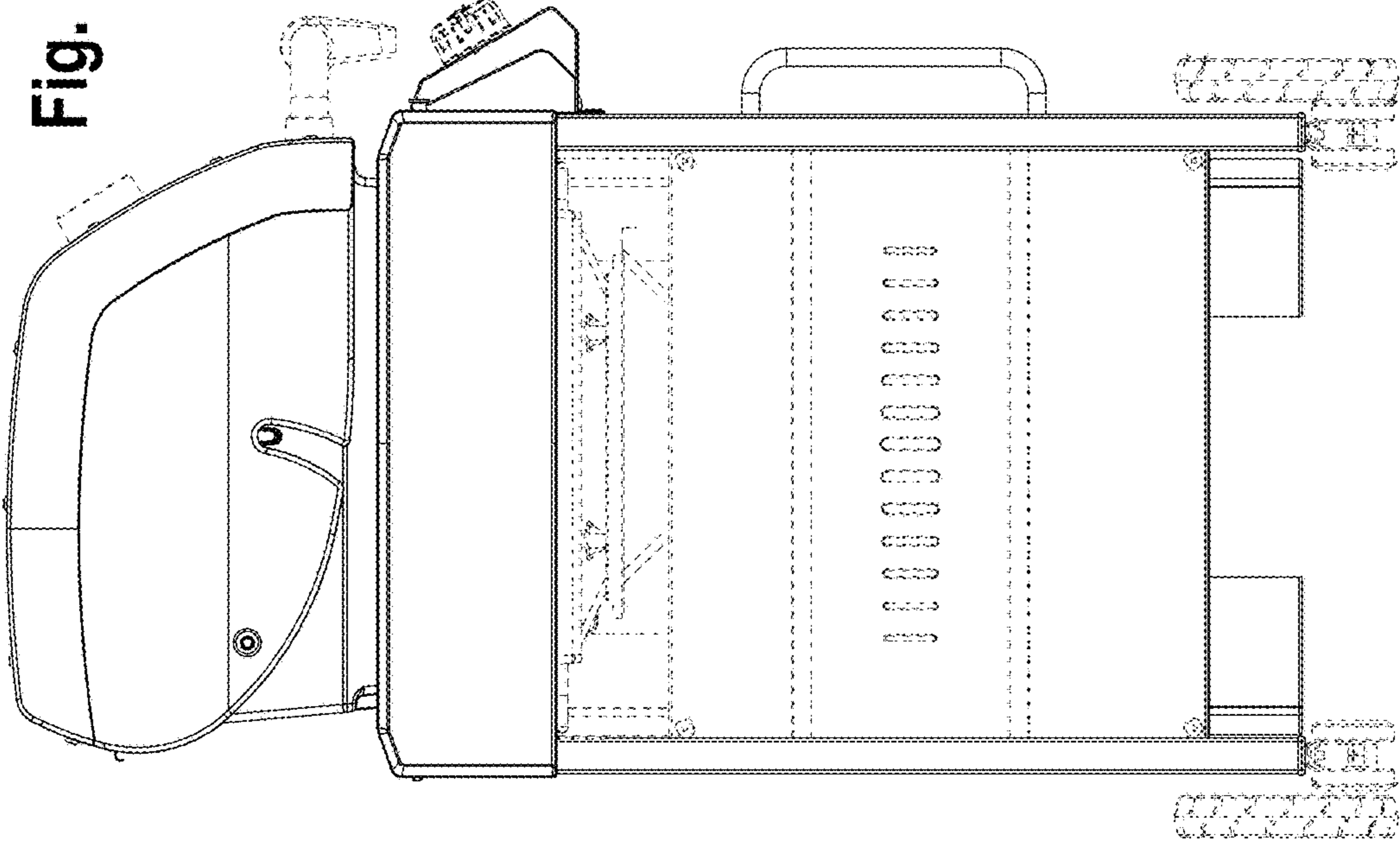
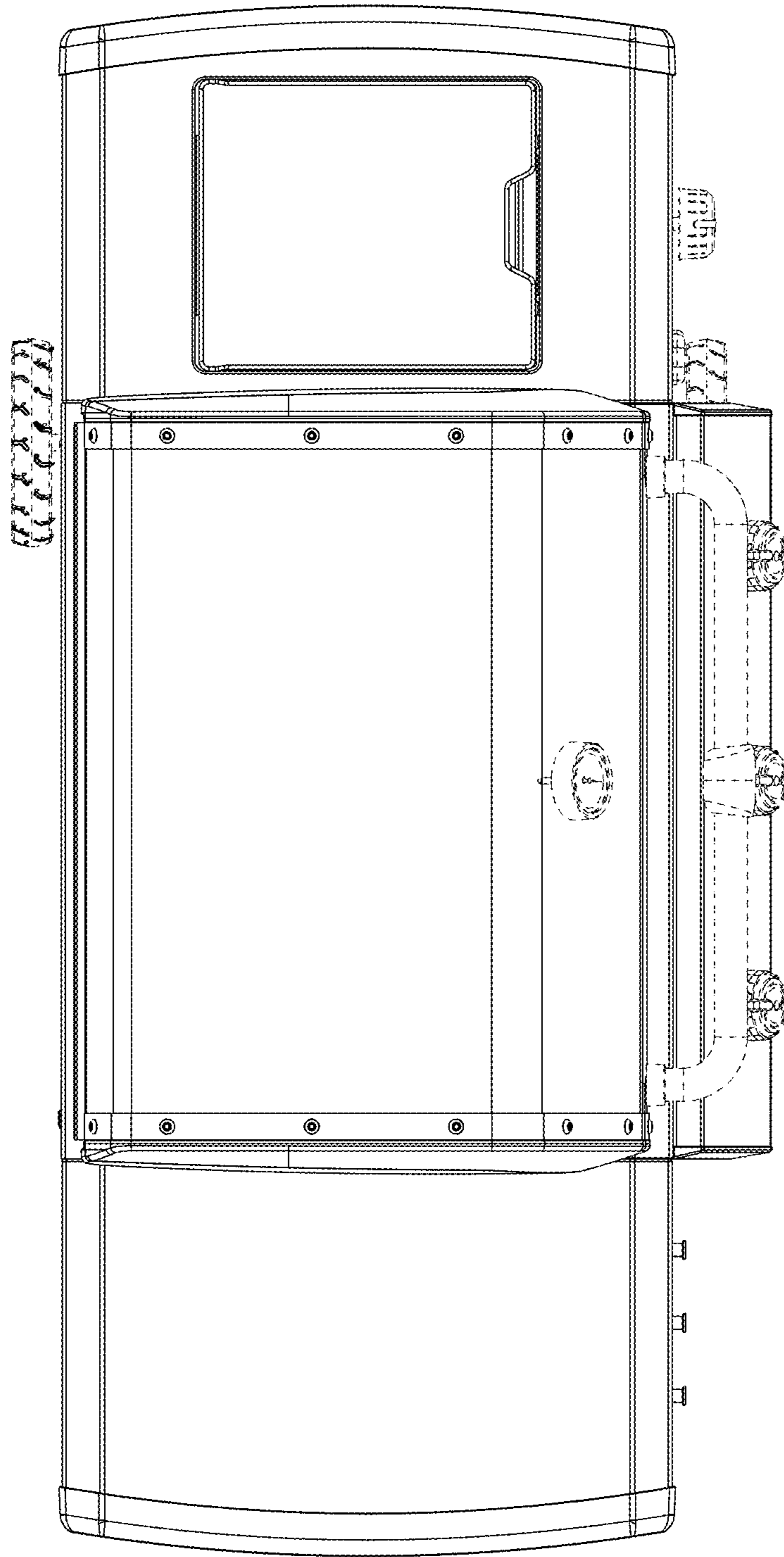


Fig. 5



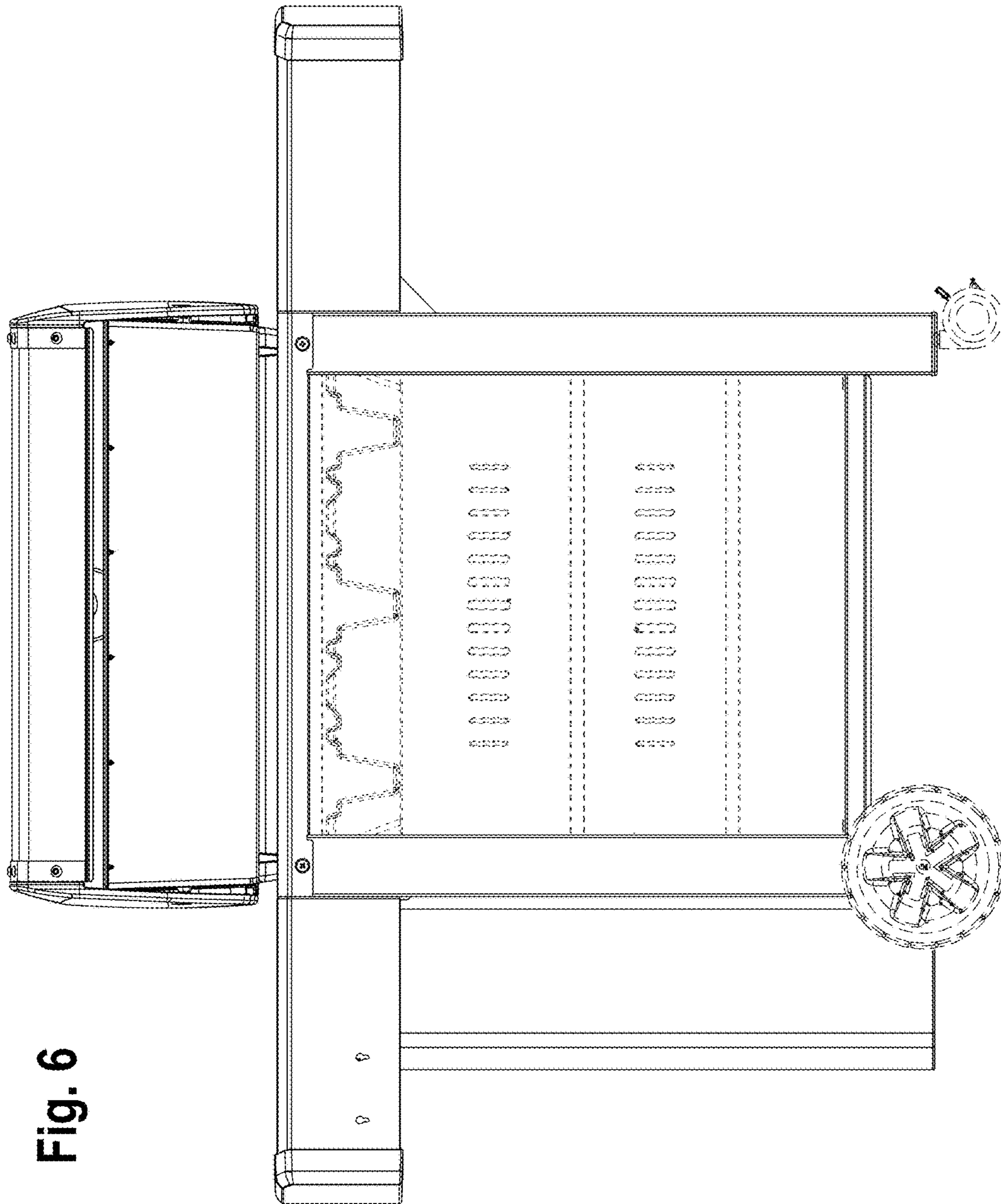
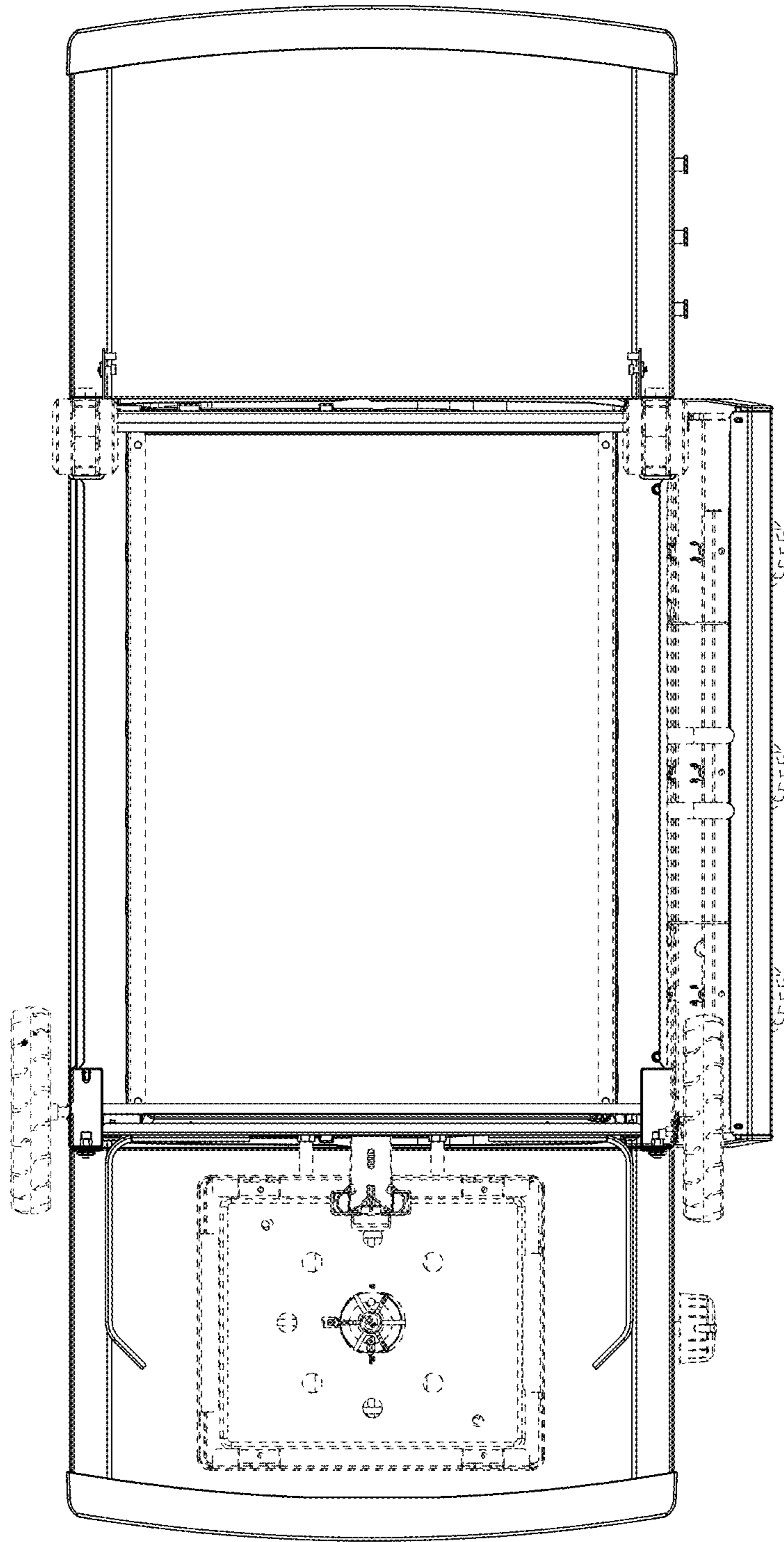


Fig. 6

Fig. 7





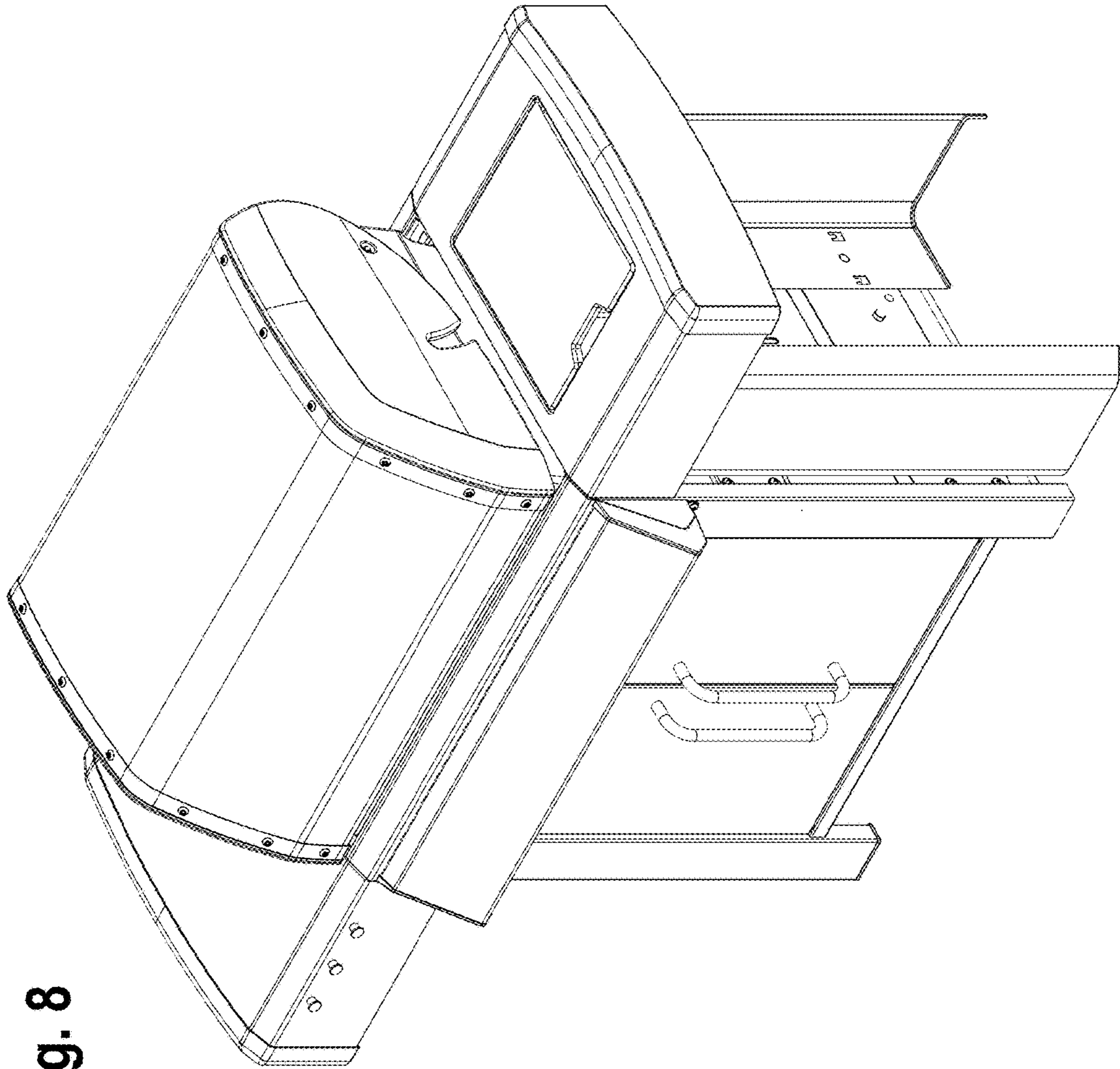


Fig. 8

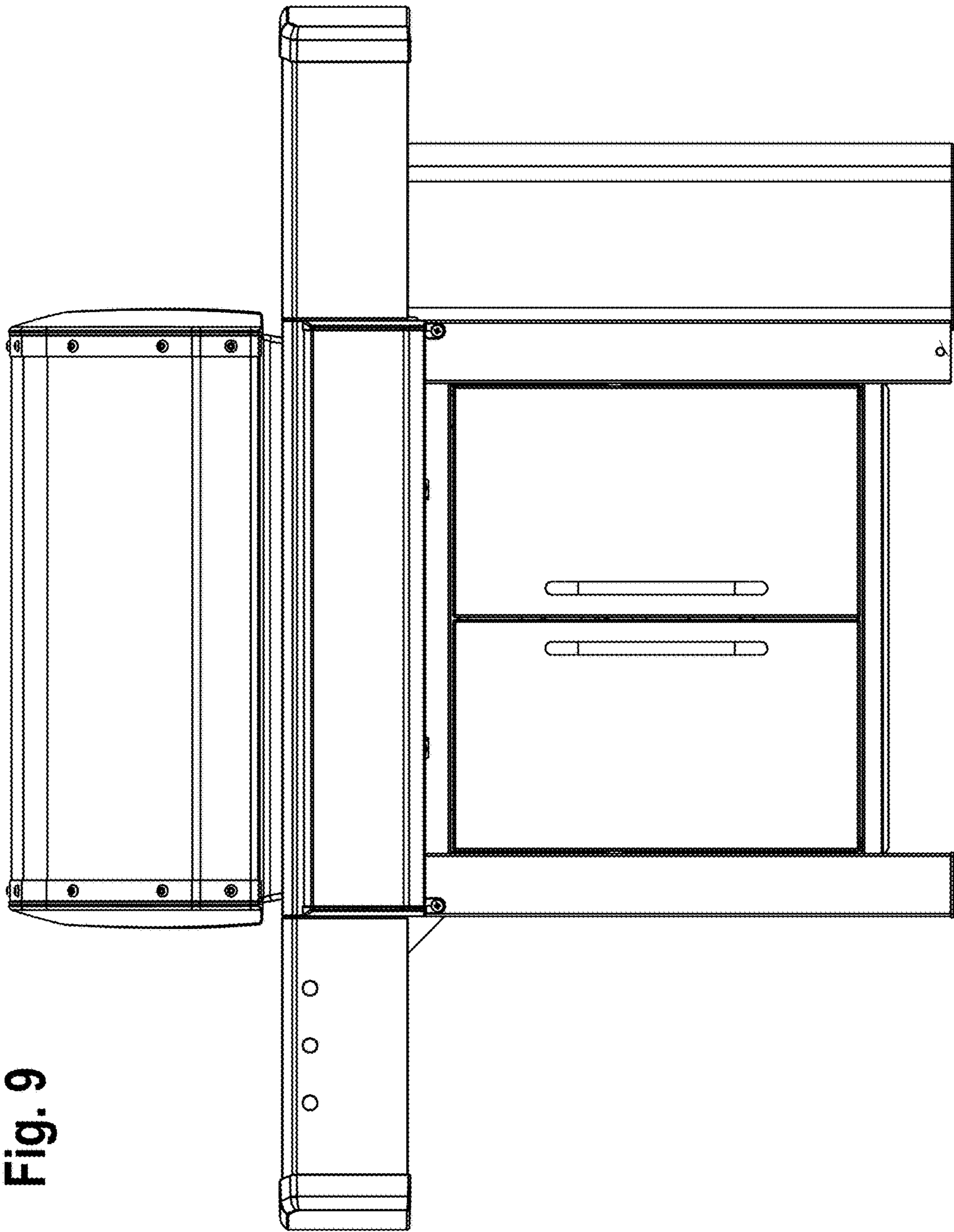


Fig. 9

Fig. 11

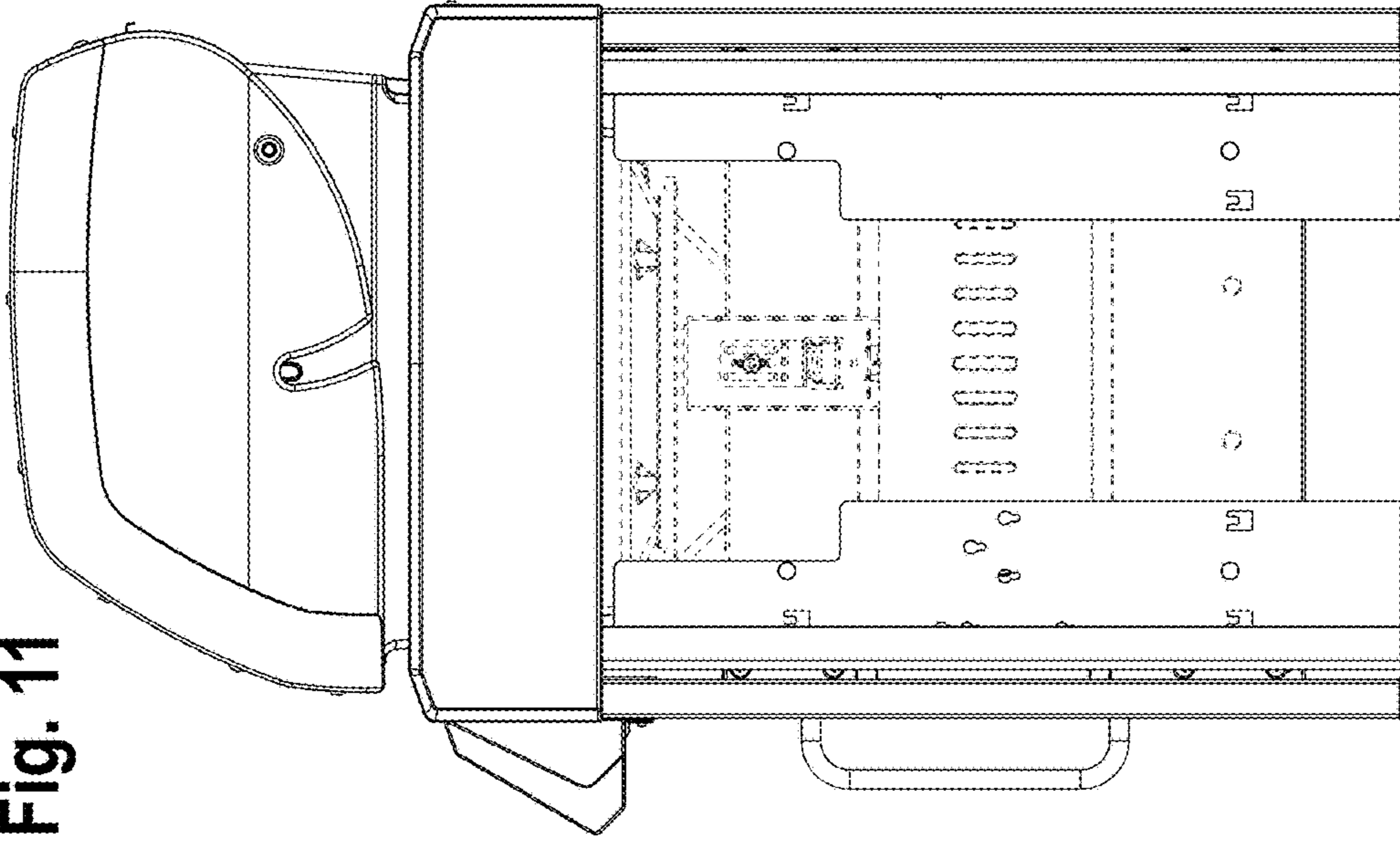


Fig. 10

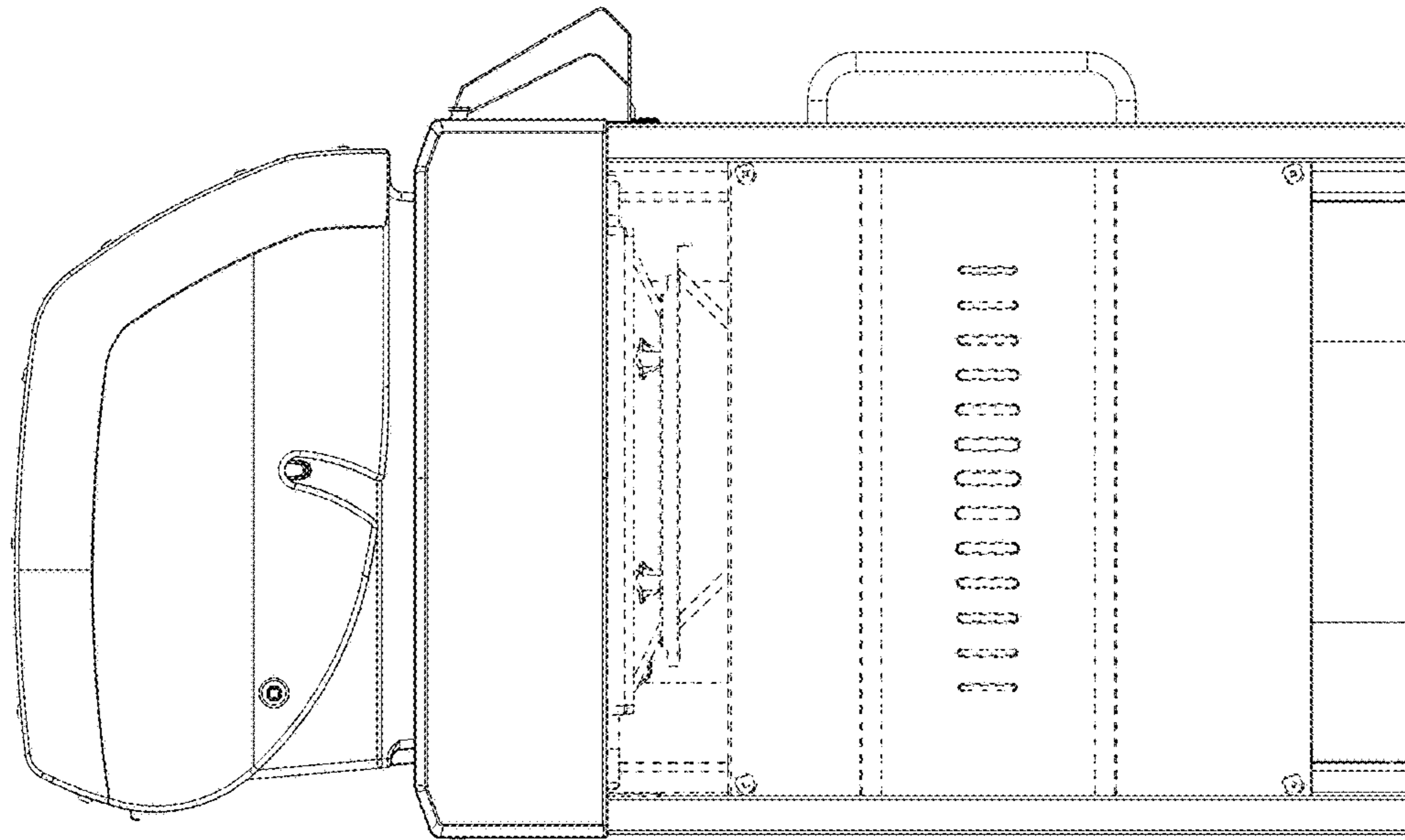
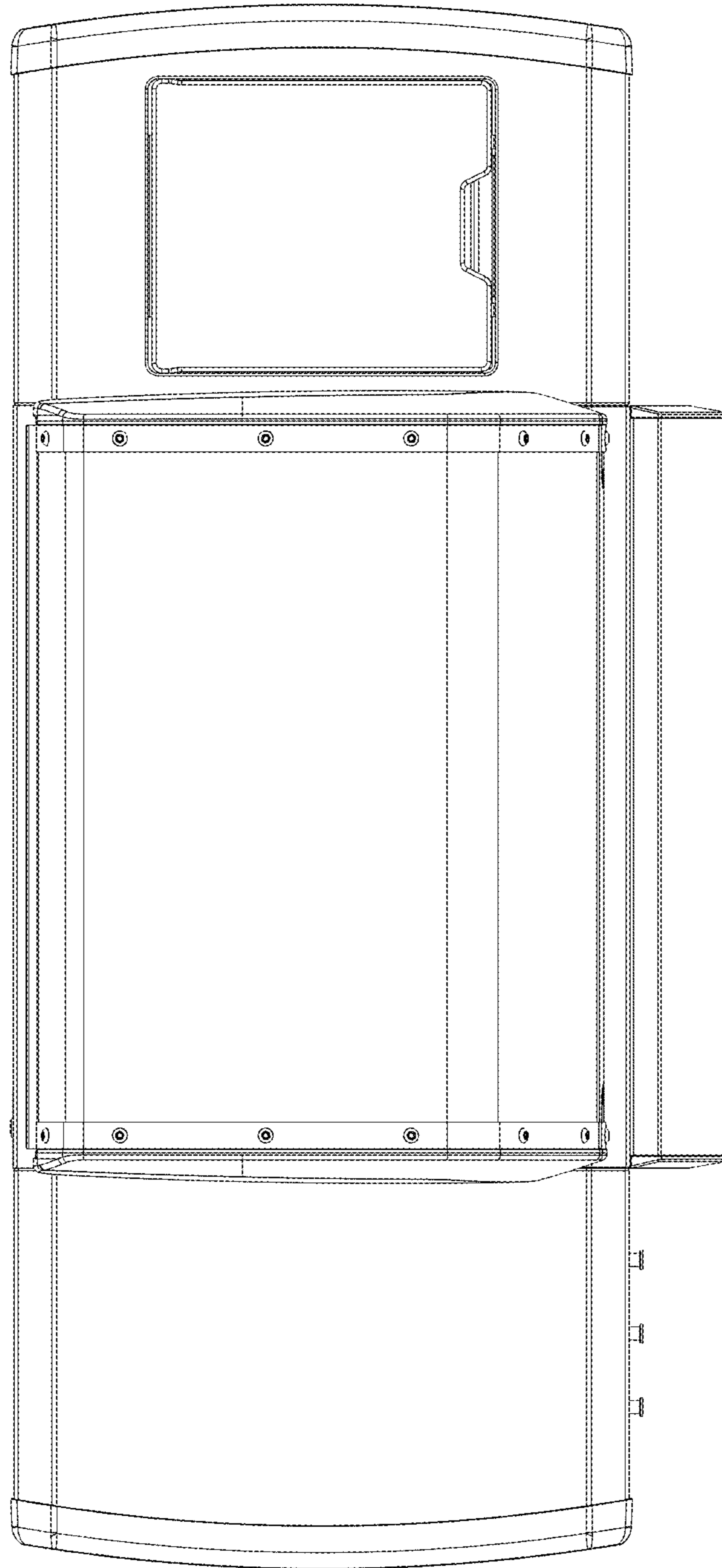


Fig. 12



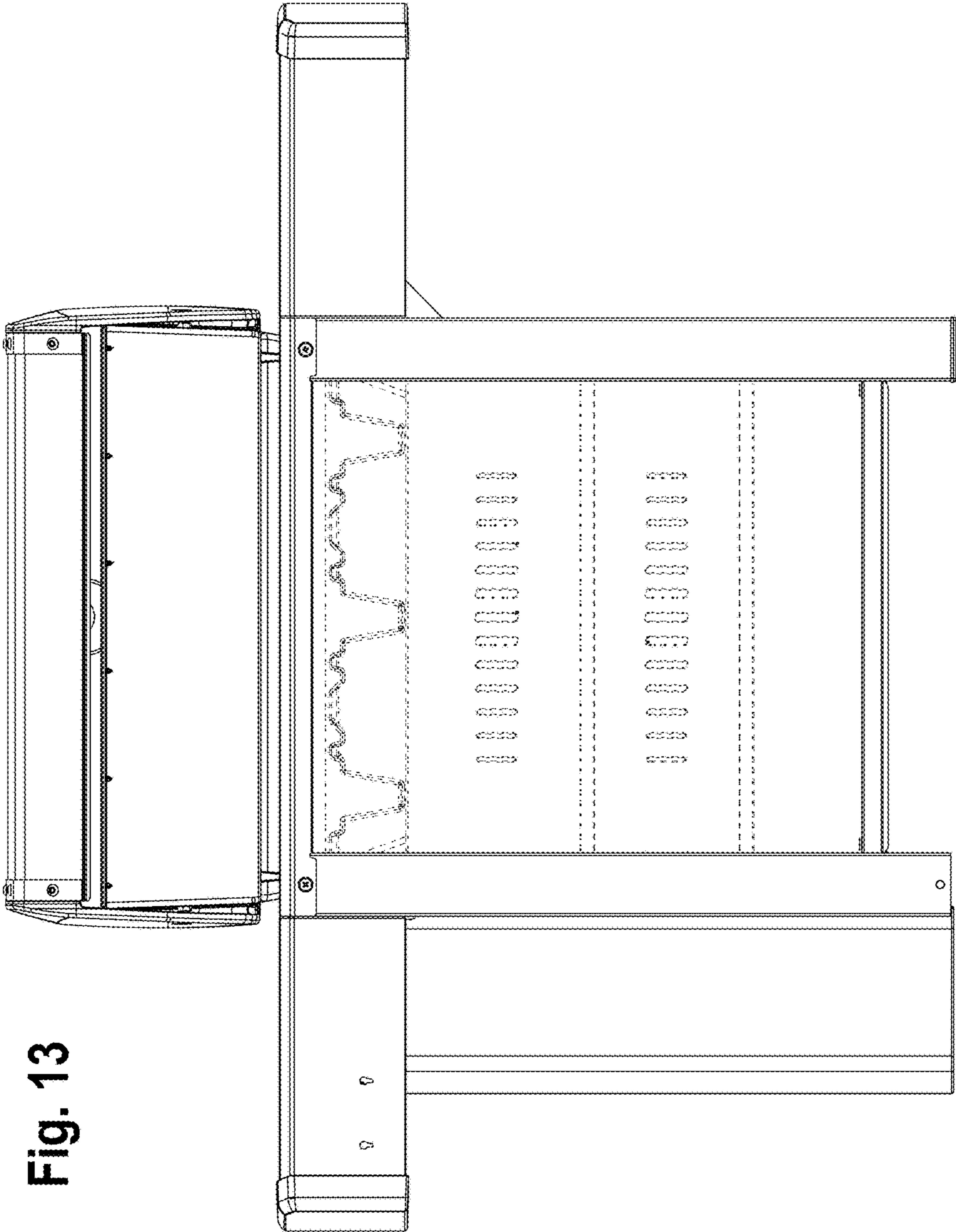


Fig. 13

Fig. 14

