

US00D798645S

(12) **United States Design Patent** (10) **Patent No.:** **US D798,645 S**  
**Lira-Nunez et al.** (45) **Date of Patent:** **\*\* Oct. 3, 2017**

- (54) **GRILL**
- (71) Applicants: **Carmen O. Lira-Nunez**, Downers Grove, IL (US); **Douglas William Masek**, Palatine, IL (US); **Hudson Kirk Rio**, Chicago, IL (US); **Mark Richard Pavel**, Lisle, IL (US)
- (72) Inventors: **Carmen O. Lira-Nunez**, Downers Grove, IL (US); **Douglas William Masek**, Palatine, IL (US); **Hudson Kirk Rio**, Chicago, IL (US); **Mark Richard Pavel**, Lisle, IL (US)

D470,357 S	2/2003	Home	
D471,057 S	3/2003	Chung	
D483,983 S	12/2003	Harrod	
D494,004 S *	8/2004	Chapman	D7/334
D521,308 S	5/2006	Tseng	
D525,072 S *	7/2006	Wilgus	D7/334
D551,499 S	9/2007	Bruno	
D560,953 S	2/2008	Bruno	
D564,834 S	3/2008	Bruno	

(Continued)

- (73) Assignee: **Weber-Stephen Products LLC**, Palatine, IL (US)

(\*\*) Term: **15 Years**

(21) Appl. No.: **29/552,652**

(22) Filed: **Jan. 25, 2016**

(51) **LOC (10) Cl.** ..... **07-02**

(52) **U.S. Cl.**  
USPC ..... **D7/334**

(58) **Field of Classification Search**  
 USPC ..... D7/213, 324, 325, 326, 327, 328, 329,  
                   D7/330, 332, 334, 335, 336, 337, 402,  
                   D7/404, 405, 406, 407  
 CPC ..... A47J 37/0781; A47J 2037/0777; A47J  
                   37/0745-37/0772; A47J 37/0731-37/074;  
                   A47J 37/0718-37/0727; A47J  
                   37/07-37/0713; A47J 37/04; A47J  
                   37/041; A47J 33/00

See application file for complete search history.

(56) **References Cited**

**U.S. PATENT DOCUMENTS**

D461,359 S	8/2002	Coleman	
D465,693 S *	11/2002	Coleman	D7/334

**OTHER PUBLICATIONS**

Photographs of grill manufactured in 2005 by Chinese entity Perfect Glo.

(Continued)

*Primary Examiner* — Manpreet Matharu  
*Assistant Examiner* — Suzanne Tisdell

(74) *Attorney, Agent, or Firm* — Vitale Vickrey Niro & Gasey

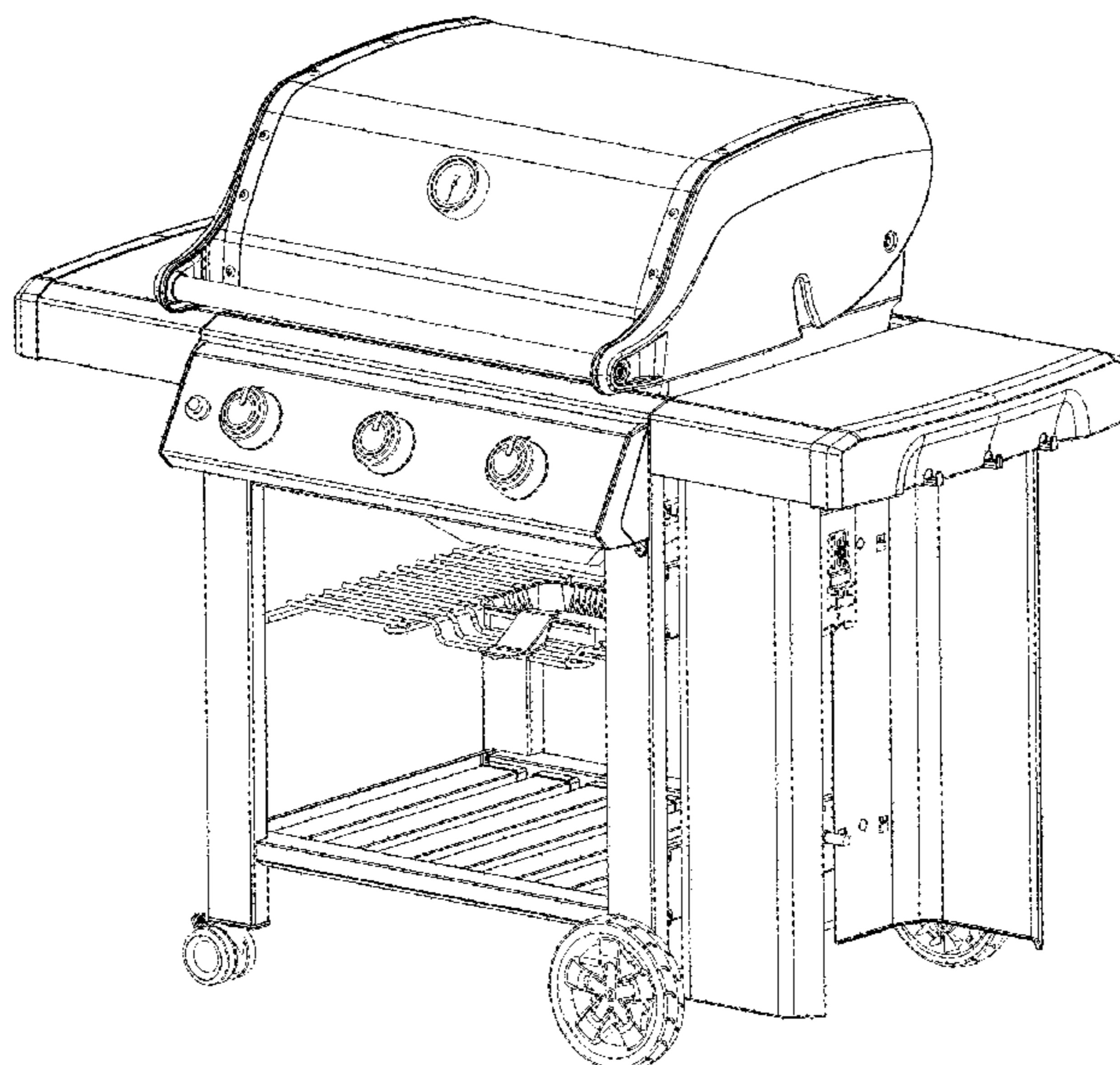
(57) **CLAIM**

The ornamental design for a grill, as shown and described.

**DESCRIPTION**

FIG. 1 is a perspective view of a grill of the present invention;  
 FIG. 2 is a front view of the grill of the present invention.  
 FIG. 3 is a left side view of the grill of the present invention.  
 FIG. 4 is a right side view of the grill of the present invention.  
 FIG. 5 is a top view of the grill of the present invention.  
 FIG. 6 is a back view of the grill of the present invention;  
 and,  
 FIG. 7 is a bottom view of the grill of the present invention.  
 The broken lines shown in the Figures depict environment and form no part of the claimed design.

**1 Claim, 6 Drawing Sheets**



(56)

References Cited

U.S. PATENT DOCUMENTS

D579,709 S \* 11/2008 Proffitt ..... D7/334  
 D609,045 S \* 2/2010 Bruno .....  
 D658,926 S \* 5/2012 Chung ..... D7/334  
 D660,074 S \* 5/2012 Chung ..... D7/334  
 D661,538 S \* 6/2012 Chung ..... D7/334  
 D679,937 S \* 4/2013 Chung ..... D7/334  
 D681,389 S \* 5/2013 Goecke ..... D7/334  
 D687,667 S \* 8/2013 Chien ..... D7/334  
 D687,669 S \* 8/2013 Chung ..... D7/334  
 D688,082 S \* 8/2013 Crick ..... D7/334  
 D697,357 S \* 1/2014 Goecke ..... D7/334  
 D712,191 S \* 9/2014 Chung ..... D7/334  
 D717,097 S \* 11/2014 Lin ..... D7/334  
 D722,809 S \* 2/2015 Chung ..... D7/334  
 D722,810 S \* 2/2015 Chung ..... D7/334  
 D723,321 S \* 3/2015 Chung ..... D7/334  
 D723,860 S \* 3/2015 Chung ..... D7/334  
 D726,491 S \* 4/2015 Witzel ..... D7/334  
 D731,843 S \* 6/2015 Chung ..... D7/334  
 D732,874 S \* 6/2015 Chung ..... D7/334  
 D736,026 S \* 8/2015 Kam ..... D7/334  
 D737,092 S \* 8/2015 Lin ..... D7/334  
 D744,775 S \* 12/2015 Yang ..... D7/334  
 D747,909 S \* 1/2016 Simms, II ..... D7/332  
 D748,423 S \* 2/2016 Chiang ..... D7/334  
 D753,430 S \* 4/2016 Wagner ..... D7/334

D769,667 S \* 10/2016 Ting ..... D7/332  
 D773,229 S \* 12/2016 Jaggard ..... D7/334  
 D773,879 S \* 12/2016 Magee ..... D7/334  
 D776,476 S \* 1/2017 Euwer ..... D7/334  
 2008/0121118 A1\* 5/2008 Sikes ..... A47J 37/07  
 99/447  
 2008/0229937 A1\* 9/2008 Stephen ..... A47J 37/07  
 99/421 R  
 2010/0132689 A1\* 6/2010 Contarino, Jr. .... A47J 37/067  
 126/25 B  
 2014/0261378 A1\* 9/2014 Barreto ..... A47J 37/0713  
 126/25 R  
 2014/0318524 A1\* 10/2014 Measom ..... A47J 37/0704  
 126/25 R  
 2015/0004297 A1\* 1/2015 Pothetes ..... A47J 37/00  
 426/523  
 2016/0208837 A1\* 7/2016 Chang ..... F16B 5/02

OTHER PUBLICATIONS

Sears 2013 Simply Outdoors Catalog, pp. 62-64, Kenmore Elite 500 Series gas grill.  
 Sears Owner's Manual for Kenmore Elite Liquid Propane Gas Grill Model 141.16680, dated Dec. 16, 2002.  
 Blue Rhino Global Sourcing Owner's Manual for UniFlame Outdoor LP Gas Barbecue Grill Model No. NSG3902D, dated 2005.

\* cited by examiner

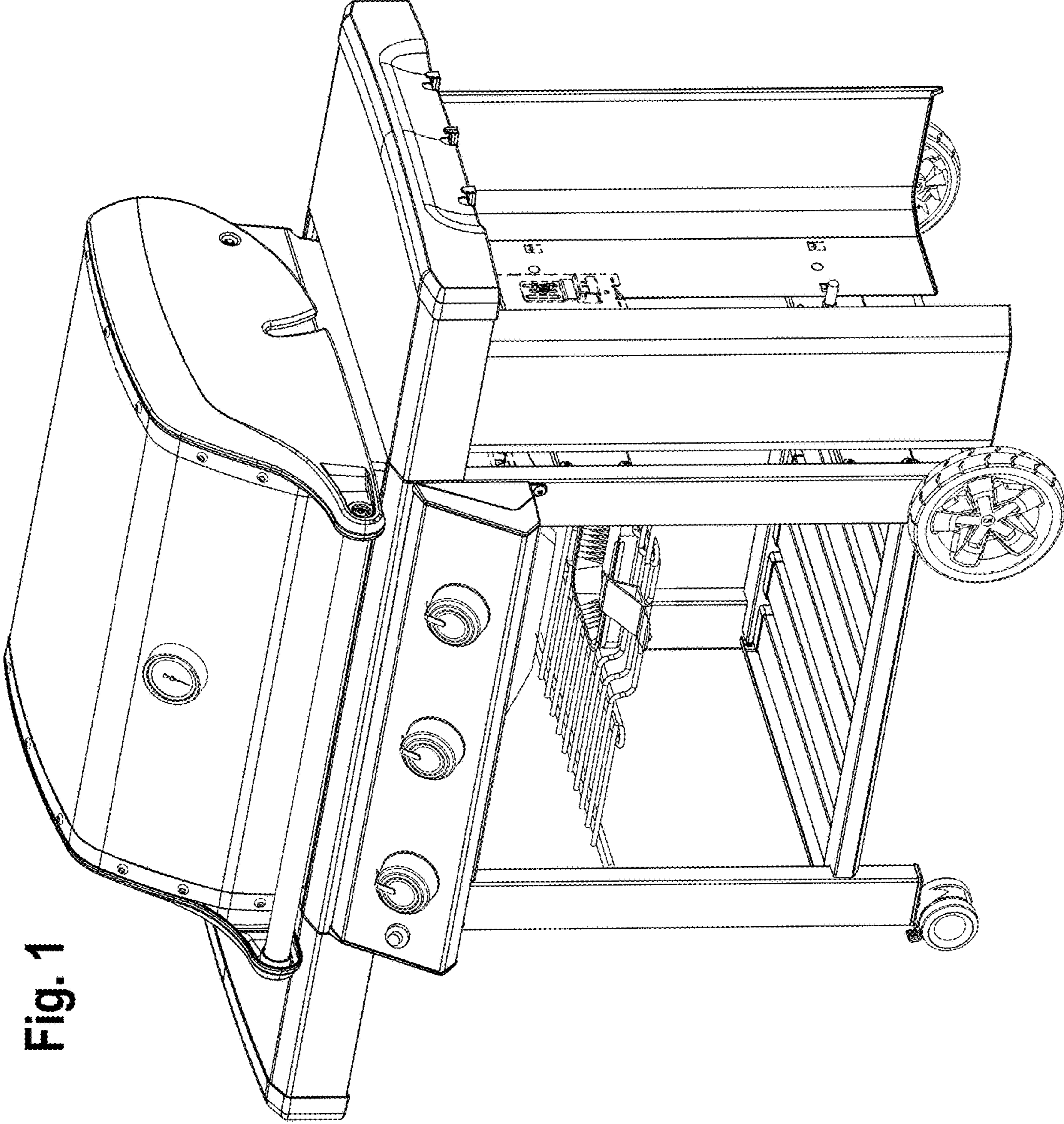


Fig. 1



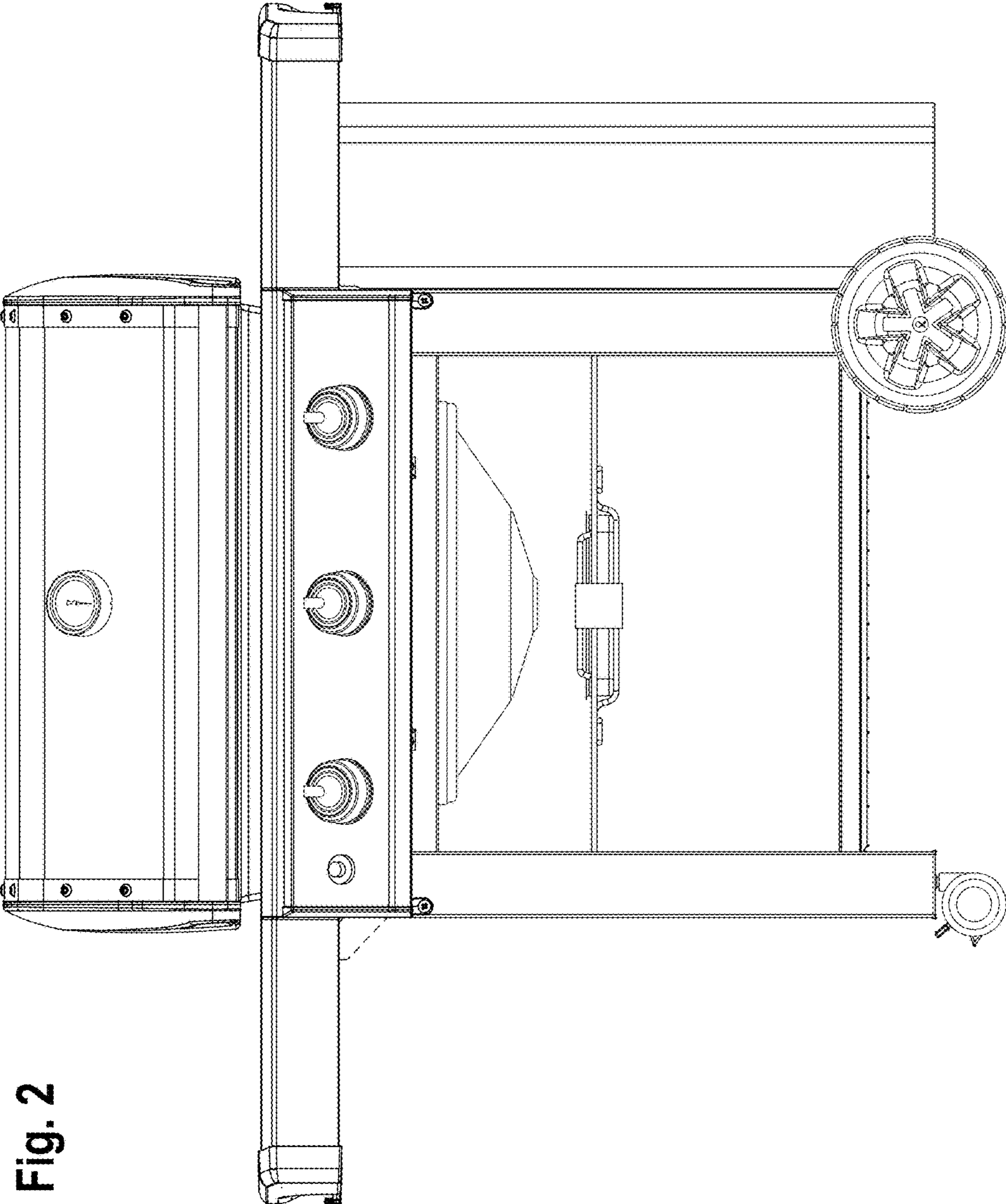


Fig. 2

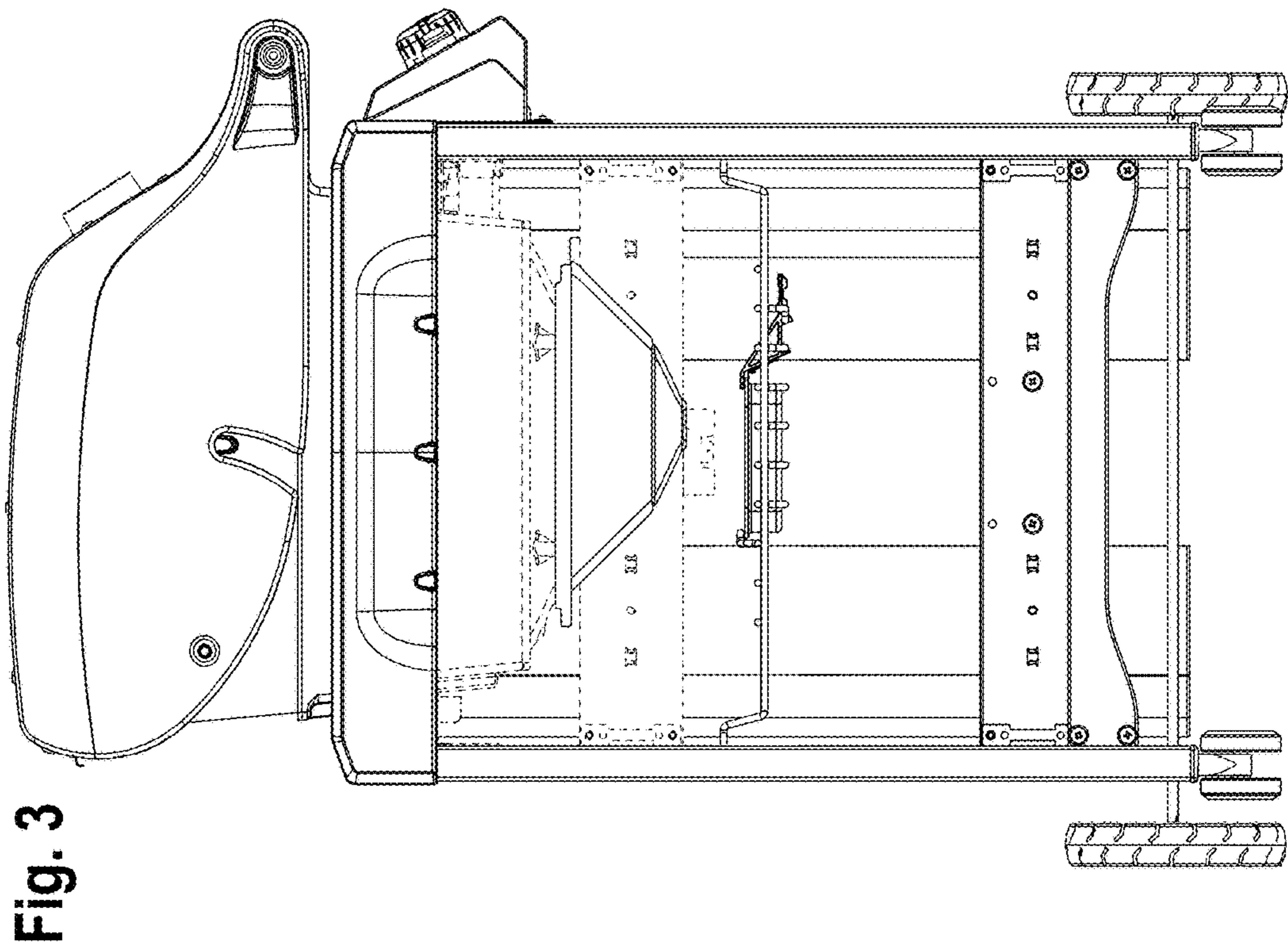
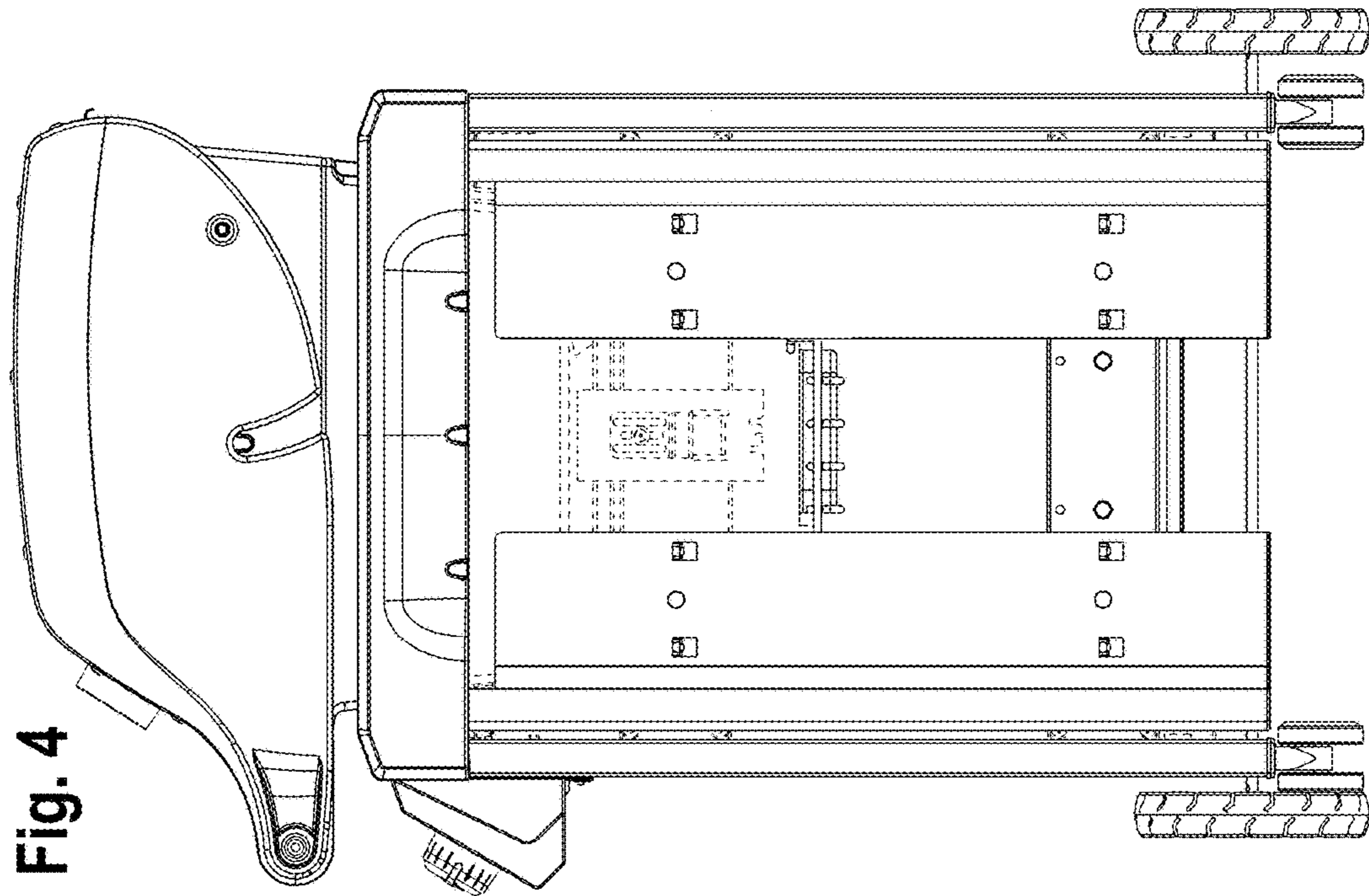
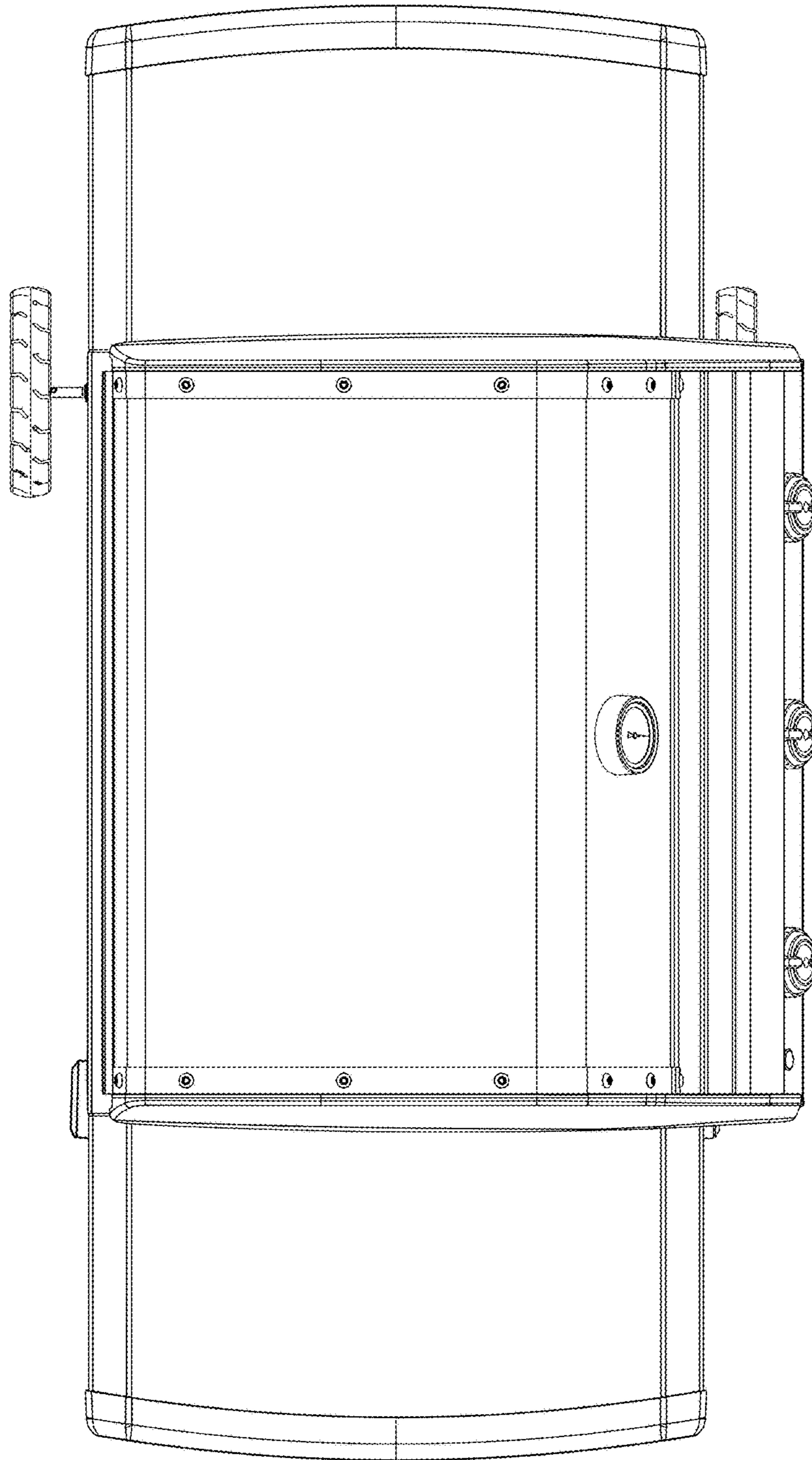


Fig. 5





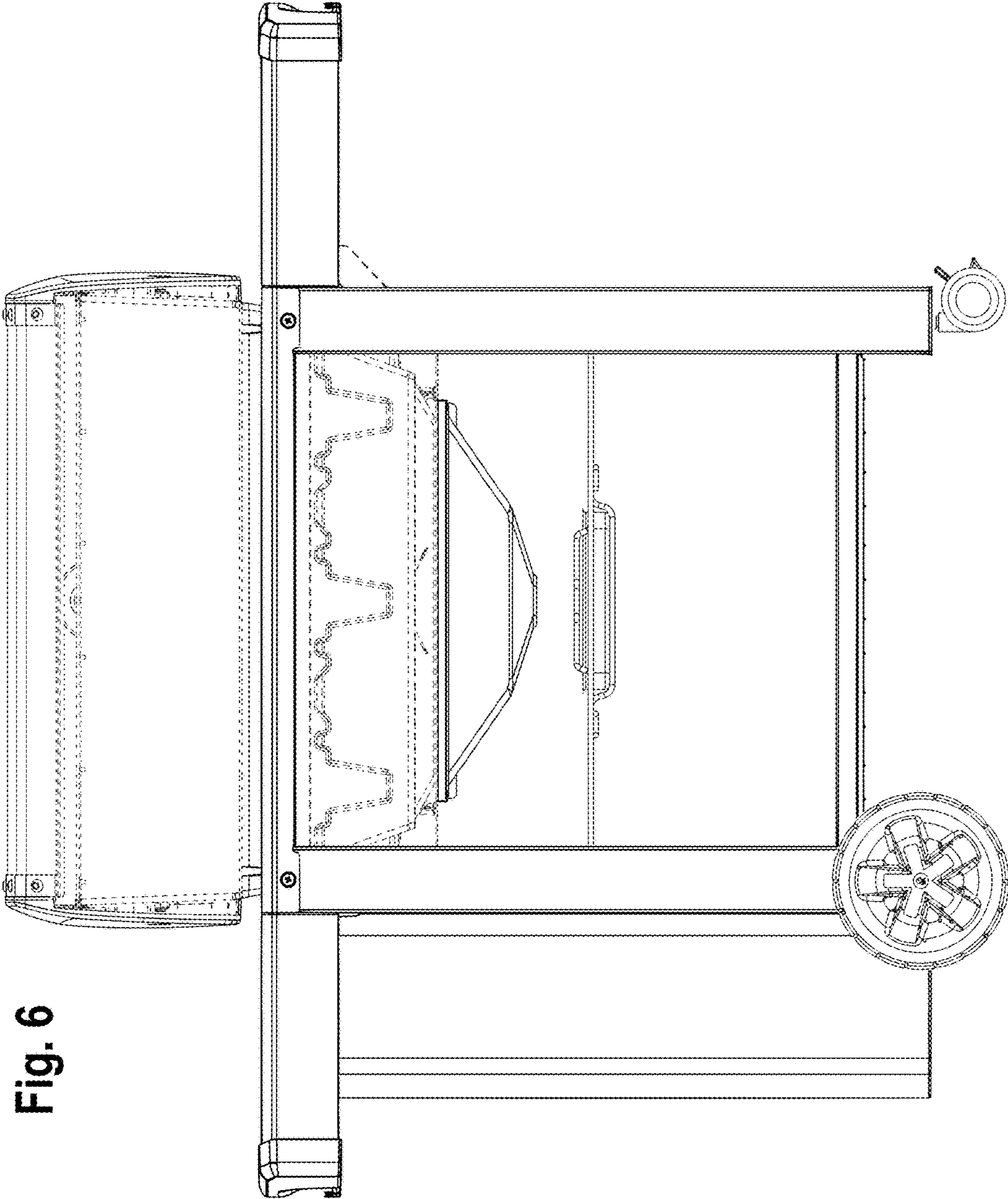


Fig. 6

Fig. 7

