

US00D798644S

(12) **United States Design Patent** (10) **Patent No.:** **US D798,644 S**  
**Lira-Nunez et al.** (45) **Date of Patent:** **\*\* Oct. 3, 2017**

- (54) **GRILL BODY** D227,643 S \* 7/1973 Koziol ..... D7/335  
5,036,832 A \* 8/1991 Schlosser ..... A47J 37/0786  
126/243
- (71) Applicants: **Carmen O. Lira-Nunez**, Downers Grove, IL (US); **Hollice Childress**, Schaumburg, IL (US); **R. Sonny Siazon**, Woodstock, IL (US); **James M. Sunich**, Carol Stream, IL (US) D420,243 S \* 2/2000 Samaras ..... D7/332  
D428,760 S \* 8/2000 Huang ..... D7/334  
D482,561 S \* 11/2003 Yeh ..... D7/332  
D516,366 S \* 3/2006 Nipke ..... D7/334  
D717,095 S \* 11/2014 Chung ..... D7/334  
D747,620 S \* 1/2016 Chung ..... D7/332  
D770,833 S \* 11/2016 Lira-Nunez ..... D7/332

(Continued)

*Primary Examiner* — Susan Bennett Hattan  
*Assistant Examiner* — Brett Miller  
(74) *Attorney, Agent, or Firm* — Vitale Vickrey Niro & Gasey

- (72) Inventors: **Carmen O. Lira-Nunez**, Downers Grove, IL (US); **Hollice Childress**, Schaumburg, IL (US); **R. Sonny Siazon**, Woodstock, IL (US); **James M. Sunich**, Carol Stream, IL (US)
- (73) Assignee: **Weber-Stephen Products LLC**, Palatine, IL (US)

(\*\*) Term: **15 Years**

(21) Appl. No.: **29/579,284**

(22) Filed: **Sep. 29, 2016**

**Related U.S. Application Data**

- (62) Division of application No. 29/530,650, filed on Jun. 18, 2015, now Pat. No. Des. 770,833.
- (51) **LOC (10) Cl.** ..... **07-02**
- (52) **U.S. Cl.**  
USPC ..... **D7/332**
- (58) **Field of Classification Search**  
USPC ..... D7/332-337, 354, 402, 403  
CPC ..... A47J 37/0704; A47J 37/0786; A47J 37/0763; A47J 37/0713; A47J 37/0781; A47J 33/00; F24C 15/12; F24C 15/18  
See application file for complete search history.

(56) **References Cited**

**U.S. PATENT DOCUMENTS**

- D219,413 S \* 12/1970 Glaser ..... D7/334
- D223,042 S \* 2/1972 Wilkinson ..... D7/334

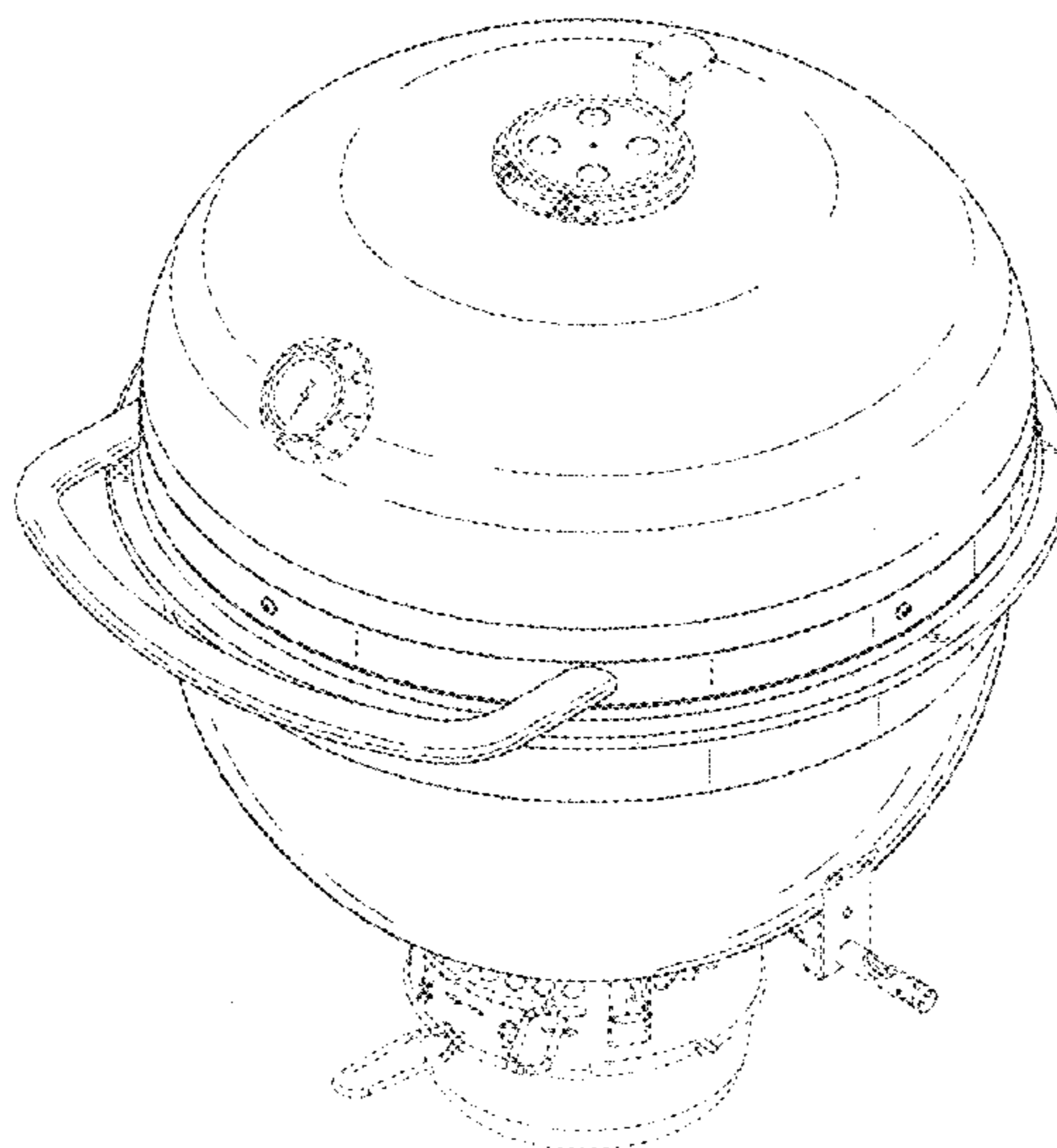
(57) **CLAIM**

The ornamental design for a grill body, as shown and described.

**DESCRIPTION**

FIG. 1 is a perspective view of the grill of the present invention;  
FIG. 2 is a top view of the grill of the present invention;  
FIG. 3 is a front view of the grill of the present invention;  
FIG. 4 is a right side view of the grill of the present invention;  
FIG. 5 is a rear view of the grill of the present invention;  
FIG. 6 is a left side view of the grill of the present invention;  
and,  
FIG. 7 is a bottom view of the grill of the present invention. The broken lines that are immediately adjacent to the shaded areas and define unshaded regions, represent the bounds of the claimed designs. The broken lines that are shown within the broken line boundaries and the broken lines outside of the claim are directed to environment. The broken lines form no part of the claimed design.

**1 Claim, 7 Drawing Sheets**



(56)

**References Cited**

U.S. PATENT DOCUMENTS

2011/0079209 A1\* 4/2011 Bruno ..... A47J 37/0704  
126/25 R

\* cited by examiner

Fig. 1

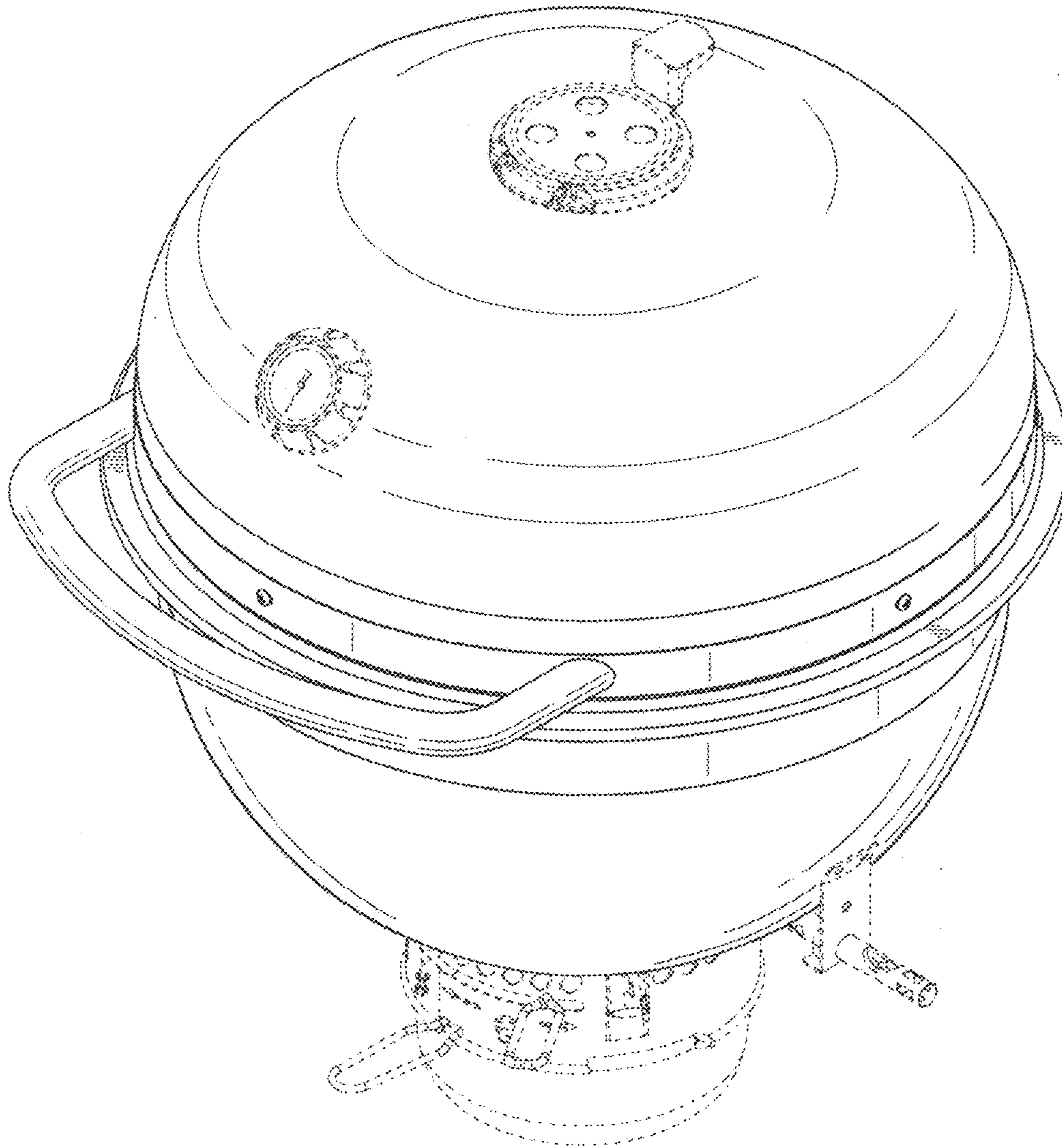


Fig. 2

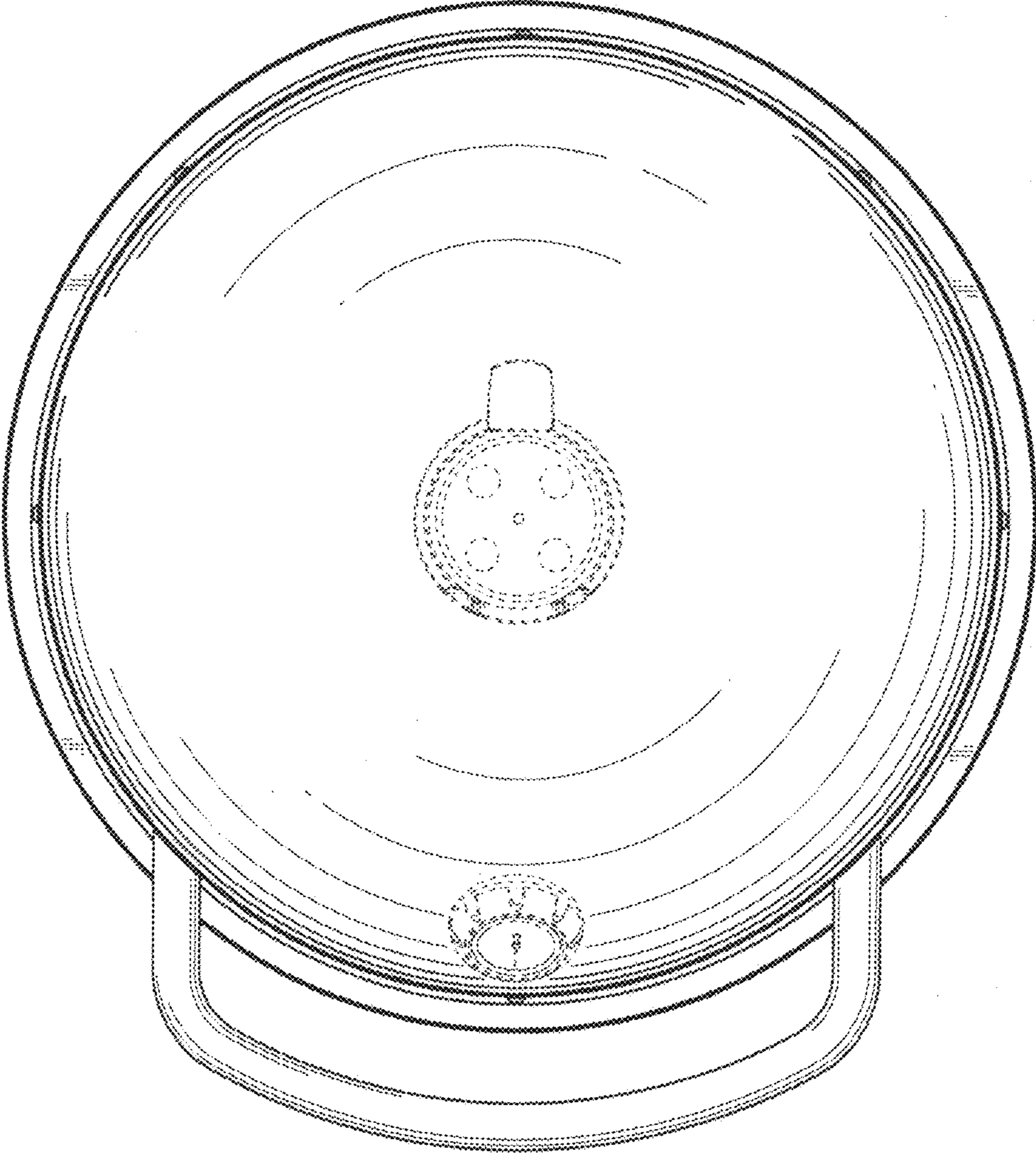


Fig. 3

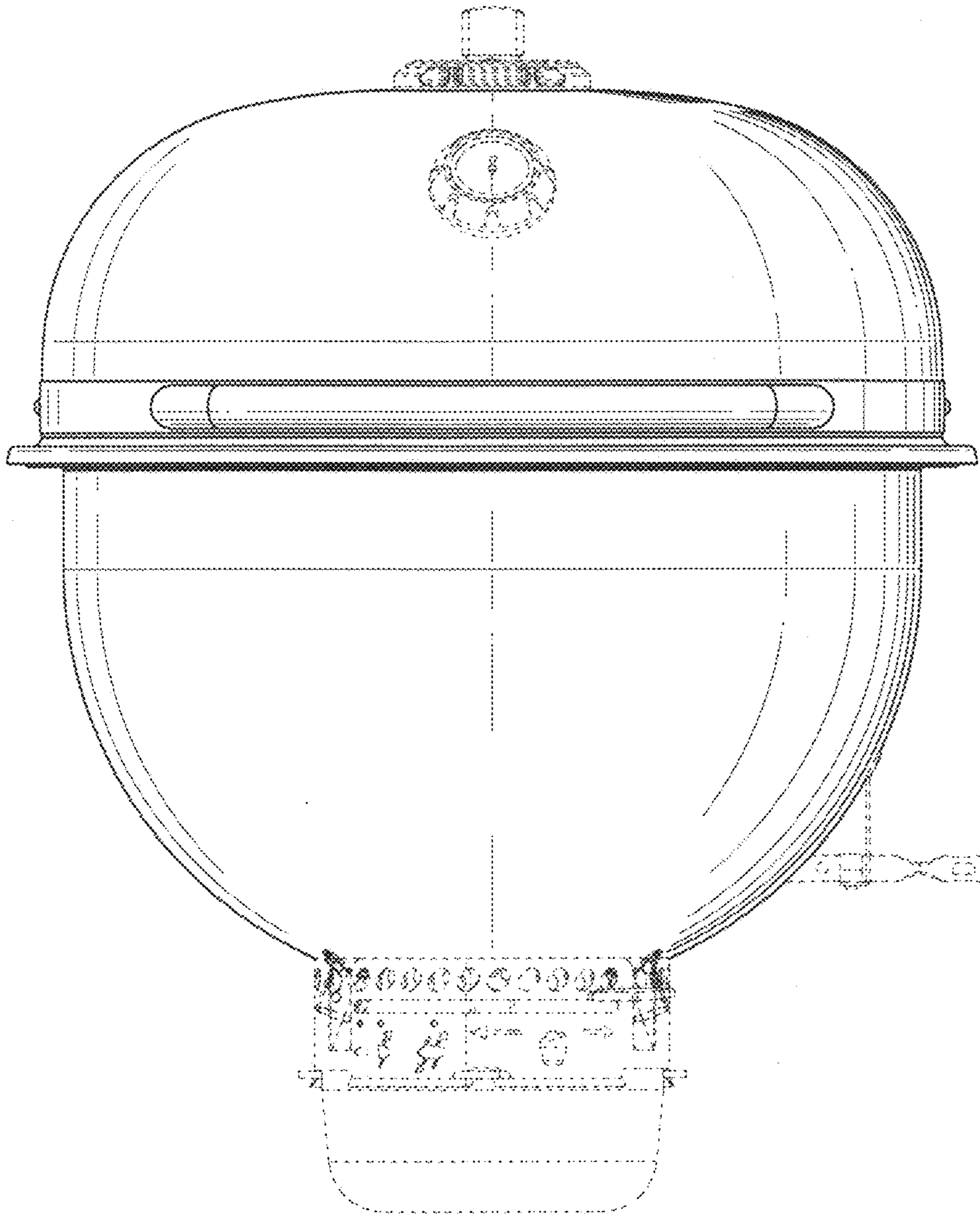


Fig. 4

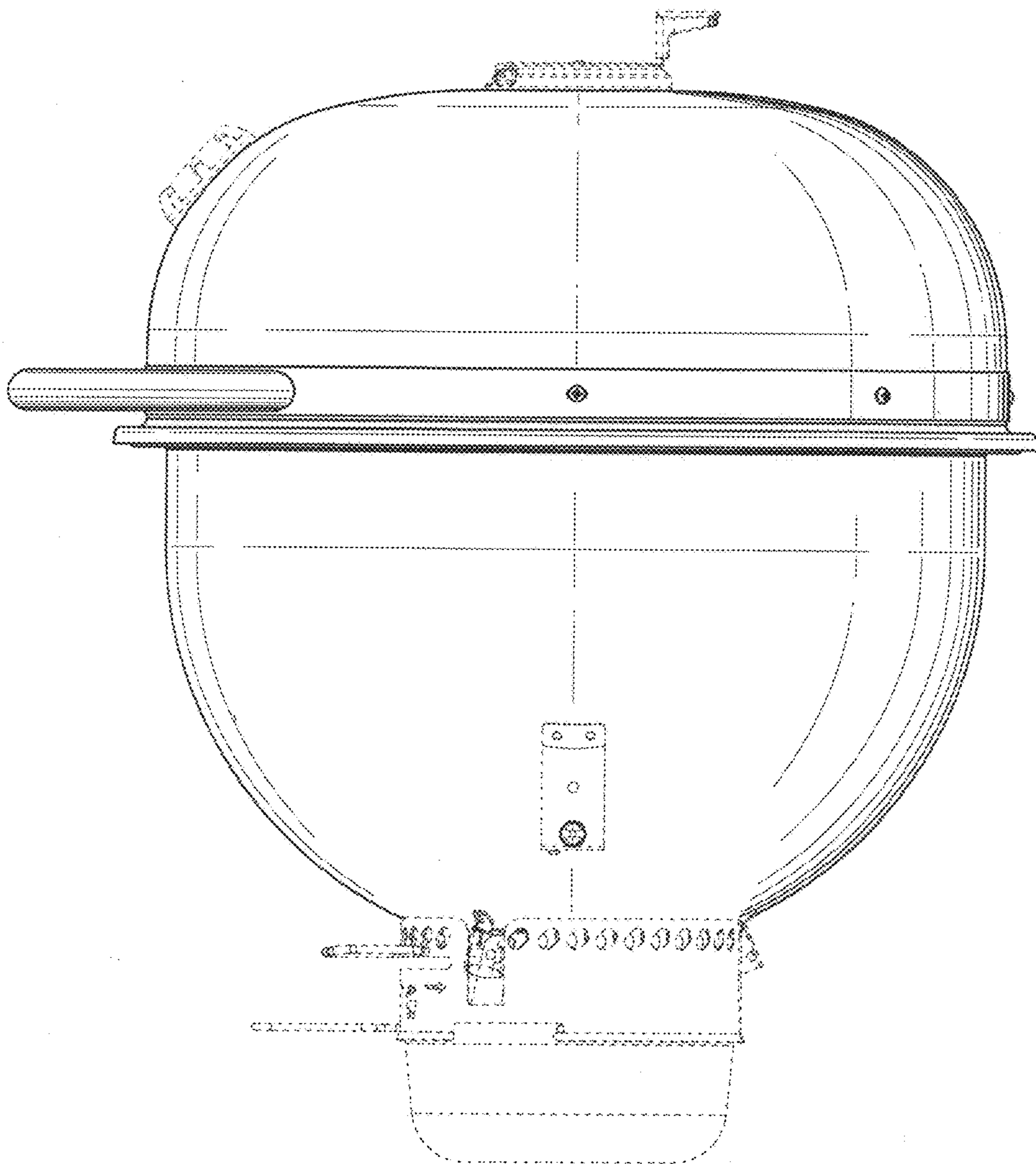


Fig. 5

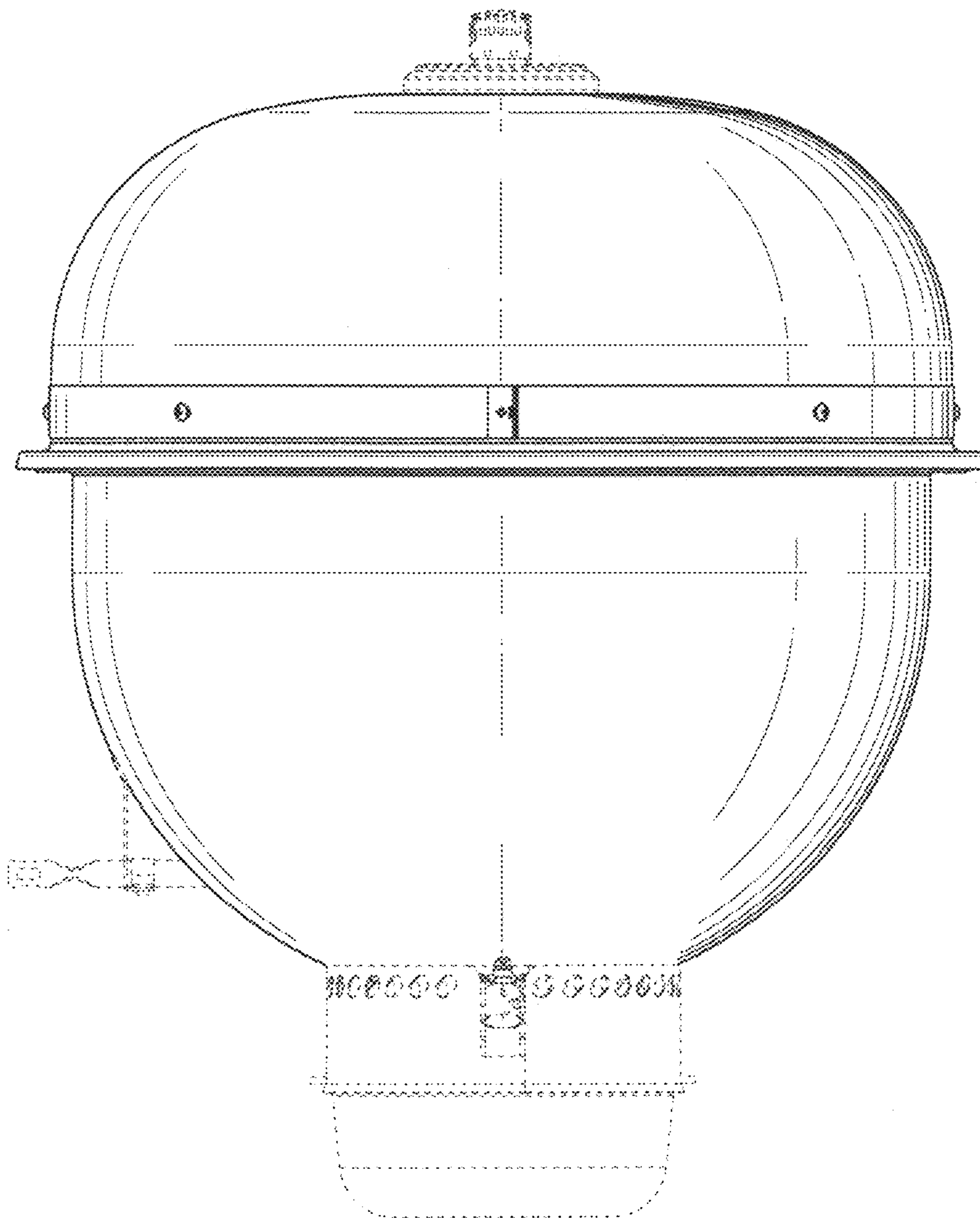


Fig. 6

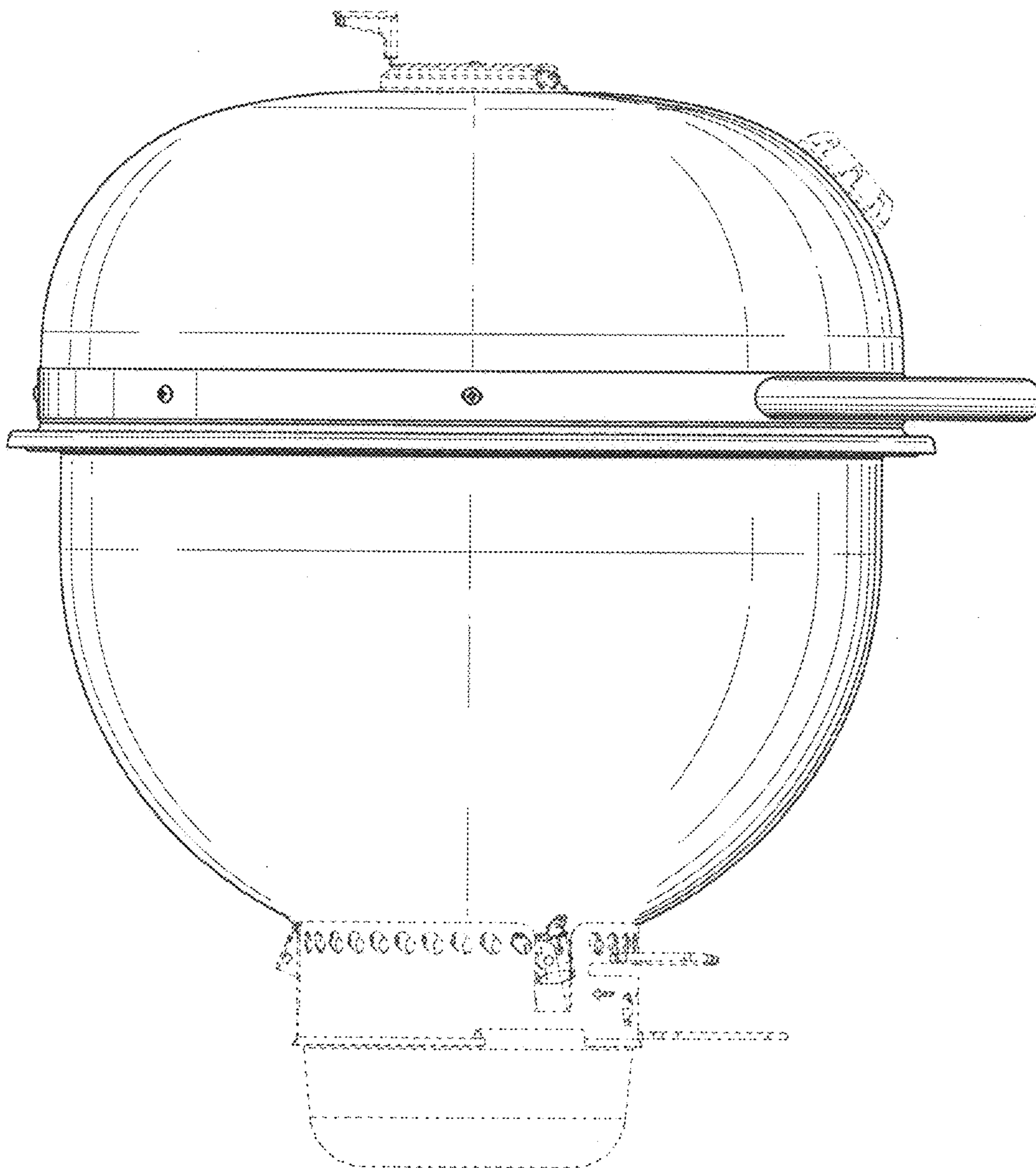




Fig. 7

