



US00D798641S

(12) **United States Design Patent** (10) **Patent No.:** **US D798,641 S**
Miller (45) **Date of Patent:** **** Oct. 3, 2017**

(54) **BED RAIL**
(71) Applicant: **Stander Inc.**, Logan, UT (US)
(72) Inventor: **F. Troy Miller**, Logan, UT (US)
(73) Assignee: **Stander Inc.**, Logan, UT (US)
(**) Term: **15 Years**
(21) Appl. No.: **29/576,240**
(22) Filed: **Sep. 1, 2016**
(51) **LOC (10) Cl.** **06-06**
(52) **U.S. Cl.**
USPC **D6/718.3**
(58) **Field of Classification Search**
USPC D6/390, 391, 392, 718.3
CPC A61G 7/00; A61G 7/005; A61G 7/015;
A61G 7/0506; A61G 7/0507; A61G
7/0513; A47C 21/08; A47D 7/02; A47D
15/008
See application file for complete search history.

(56) **References Cited**
U.S. PATENT DOCUMENTS
2,602,171 A 7/1952 Good
2,904,799 A * 9/1959 Berlin A47C 21/08
5/426
3,021,534 A * 2/1962 Hausted A61G 7/0507
248/229.11
3,220,024 A 11/1965 Nelson
3,262,133 A 7/1966 Beitzel
3,290,701 A 12/1966 Luff
3,474,473 A 10/1969 Hannaberg
4,724,559 A 2/1988 Bly et al.
4,993,089 A * 2/1991 Solomon A61G 7/0509
5/428
5,329,658 A 7/1994 Fontenot
5,448,791 A 9/1995 Brown
5,463,784 A 11/1995 Alpern
5,640,726 A 6/1997 Fichner-Rathus

6,058,531 A * 5/2000 Carroll A47C 21/08
5/428
6,138,301 A 10/2000 Battiston
6,401,280 B1 6/2002 Baker
6,519,794 B1 2/2003 Aarestad et al.
6,560,794 B2 5/2003 Allen et al.
6,813,789 B2 11/2004 Leoutsakos
6,990,697 B1 1/2006 Clute
7,013,508 B2 3/2006 Wu
7,103,928 B1 9/2006 Childs
7,197,779 B2 4/2007 Shalikar
7,373,679 B2 5/2008 Miller
D701,069 S 3/2014 Miller
(Continued)

OTHER PUBLICATIONS

Stander Life Sleep Safe bed rail, parentgiving.com, © 2017, site visited Jul. 13, 2017, available online <URL:http://www.parentgiving.com/shop/signature-life-sleep-safe-rail-by-stander-8537/p/>.*
(Continued)

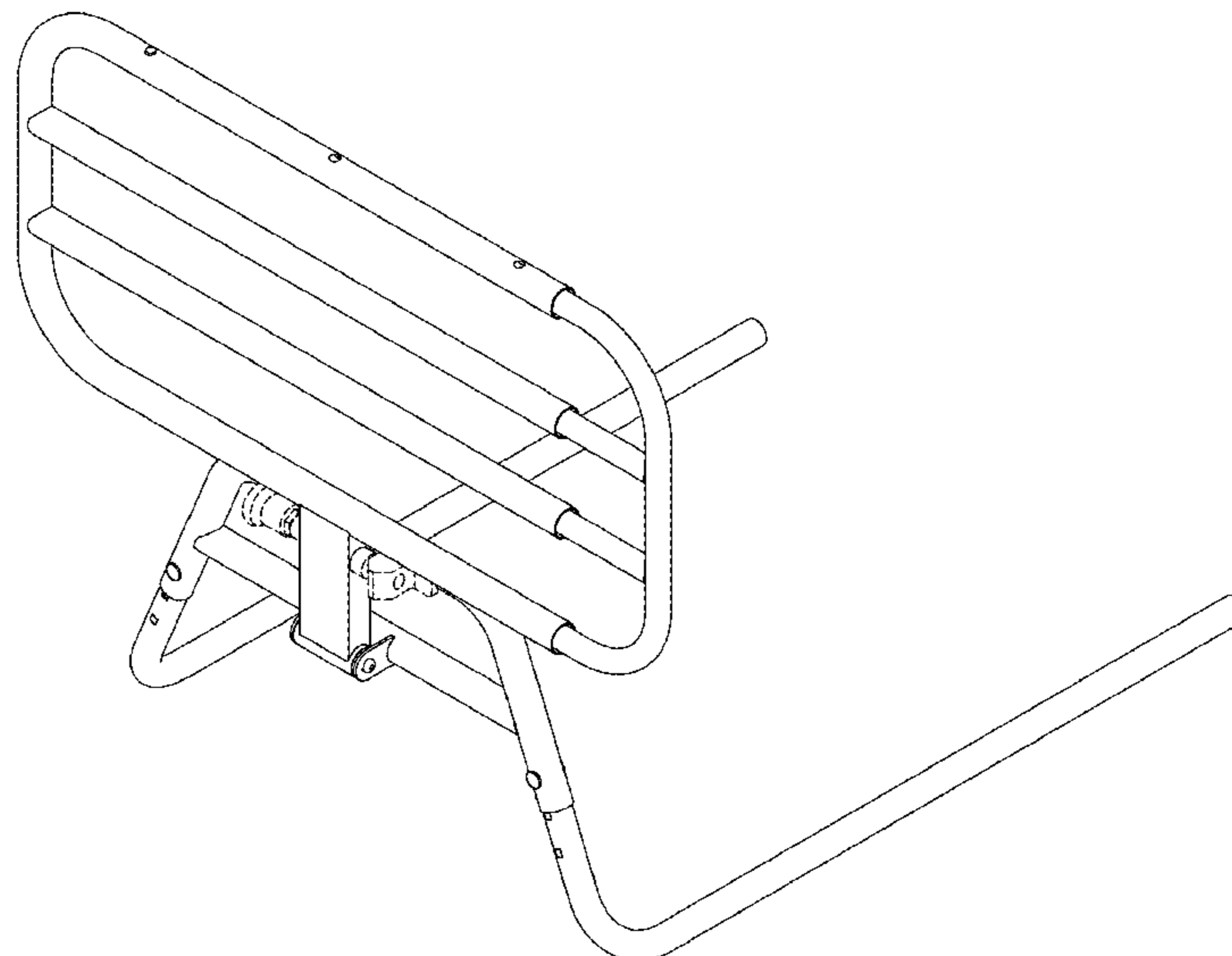
Primary Examiner — Cathron Brooks
(74) *Attorney, Agent, or Firm* — Stoel Rives LLP

(57) **CLAIM**
The ornamental design for a bed rail, substantially as shown and described.

DESCRIPTION

FIG. 1 is a perspective view of a bed rail.
FIG. 2 is a top plan view of the bed rail of FIG. 1.
FIG. 3 is a right side elevation view of the bed rail of FIG. 1.
FIG. 4 is a front end view of the bed rail of FIG. 1.
FIG. 5 is a left side elevation view of the bed rail of FIG. 1.
FIG. 6 is a back end view of the bed rail of FIG. 1; and,
FIG. 7 is a bottom plan view of the bed rail of FIG. 1.
The portions of the drawings shown in broken lines form no part of the claimed design.

1 Claim, 7 Drawing Sheets



(56)

References Cited

U.S. PATENT DOCUMENTS

D708,467 S * 7/2014 Zakel D6/718.3
D718,968 S * 12/2014 Zakel D6/718.3
8,973,192 B2 3/2015 Miller
9,427,088 B2 * 8/2016 Miller A61G 7/0507
2004/0049855 A1 3/2004 Leoutsakos
2005/0262632 A1 12/2005 Wu
2006/0037140 A1 2/2006 Clute
2007/0083994 A1 * 4/2007 Miller A47C 21/08
5/662
2007/0136949 A1 * 6/2007 Richards A61G 7/05
5/600
2012/0117926 A1 5/2012 Miller
2013/0097778 A1 * 4/2013 Serhan A61G 7/0507
5/430
2013/0160207 A1 * 6/2013 Wu A61G 7/002
5/600
2015/0216750 A1 * 8/2015 Miller A61G 7/0507
5/662

OTHER PUBLICATIONS

Home-Style Bed Rails, http://www.jamesonmedical.com/pages/bed_rails printed Oct. 11, 2005, 1 pg.
Notice of Allowance dated Jun. 22, 2016 for U.S. Appl. No. 14/173,078.
SeniorShops, Carex Adjustable Bed Rails, <http://www.seniorshops.com/bedrails1.html> printed Oct. 11, 2005, 2 pgs.

* cited by examiner

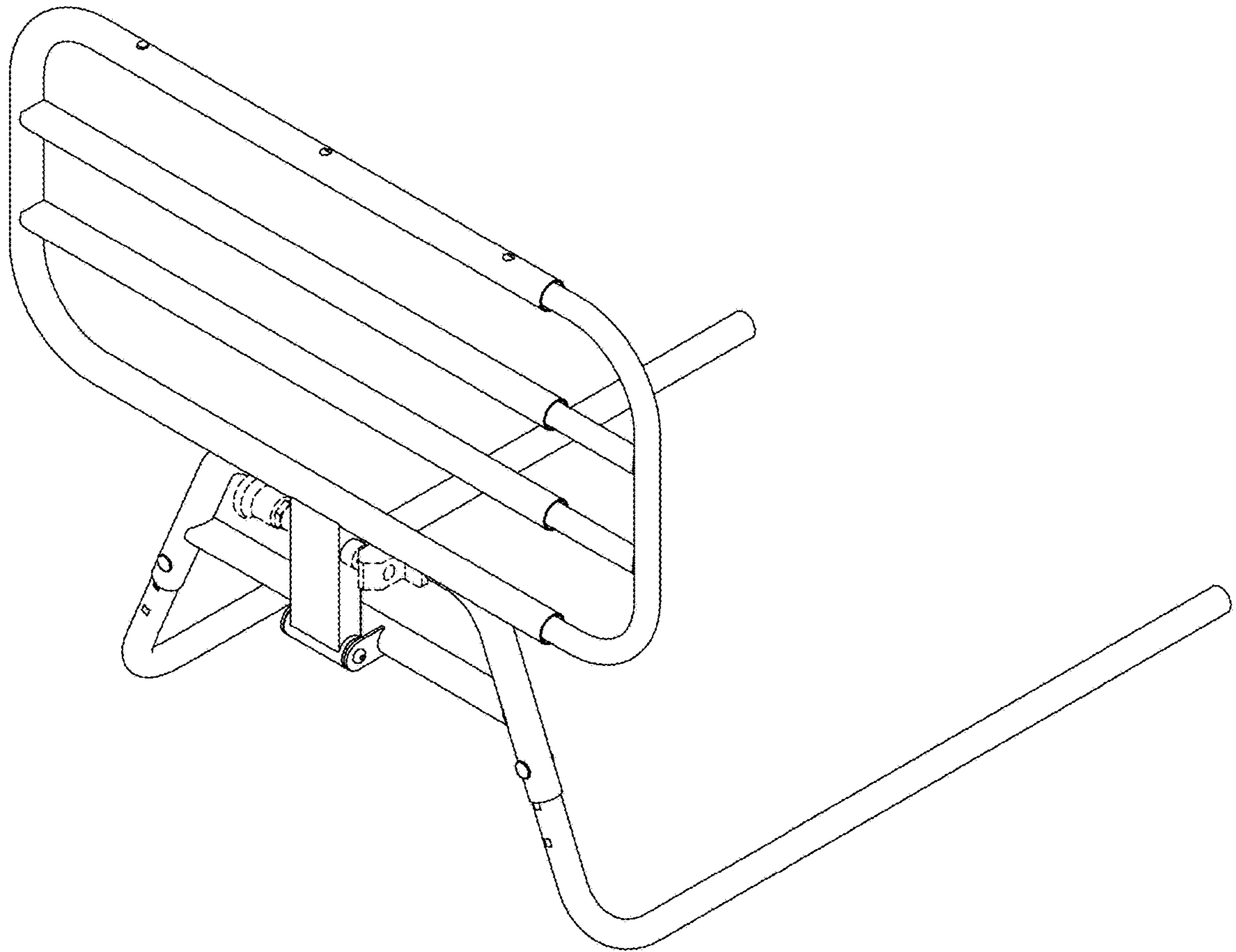


Fig. 1

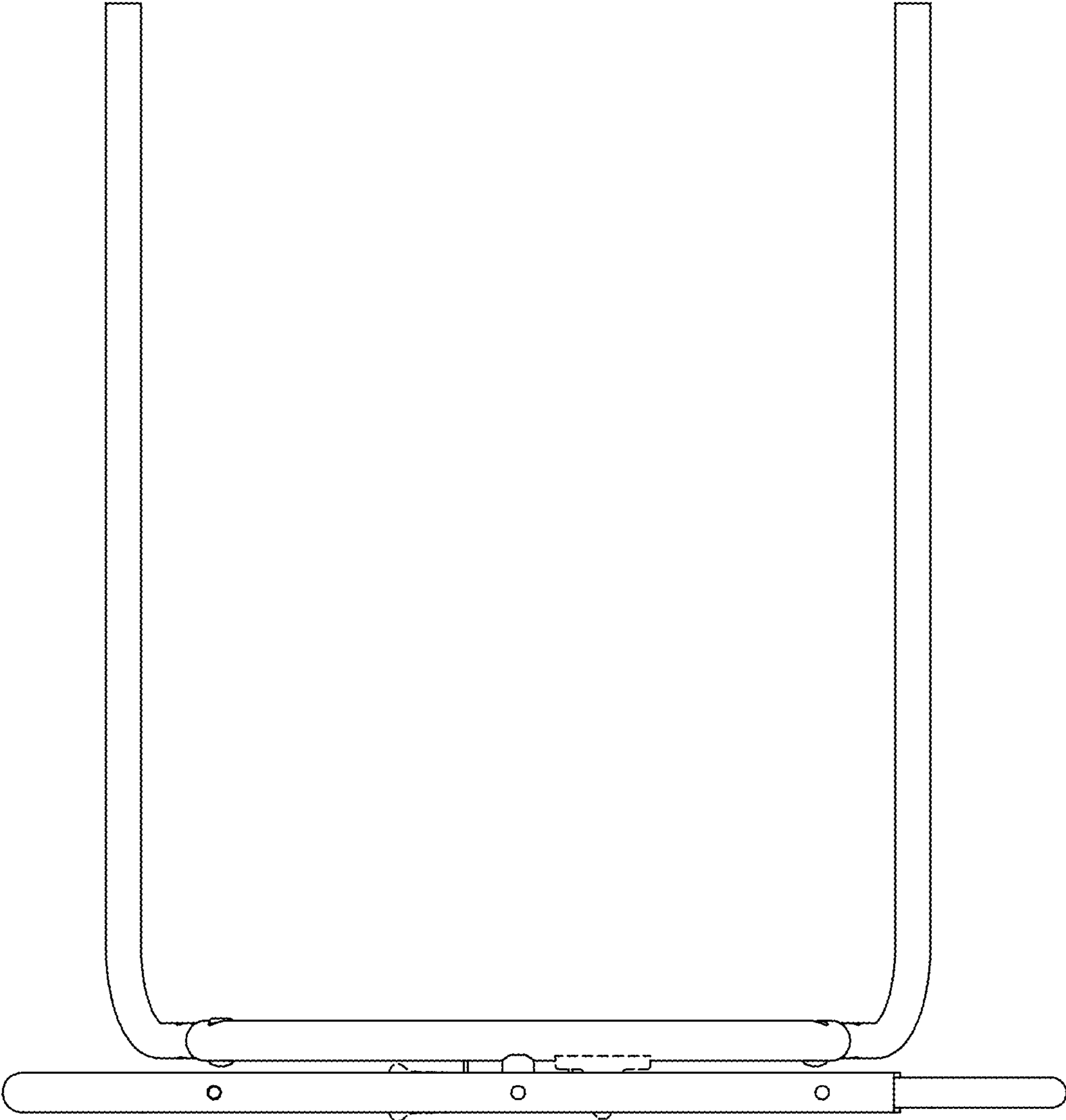


Fig. 2

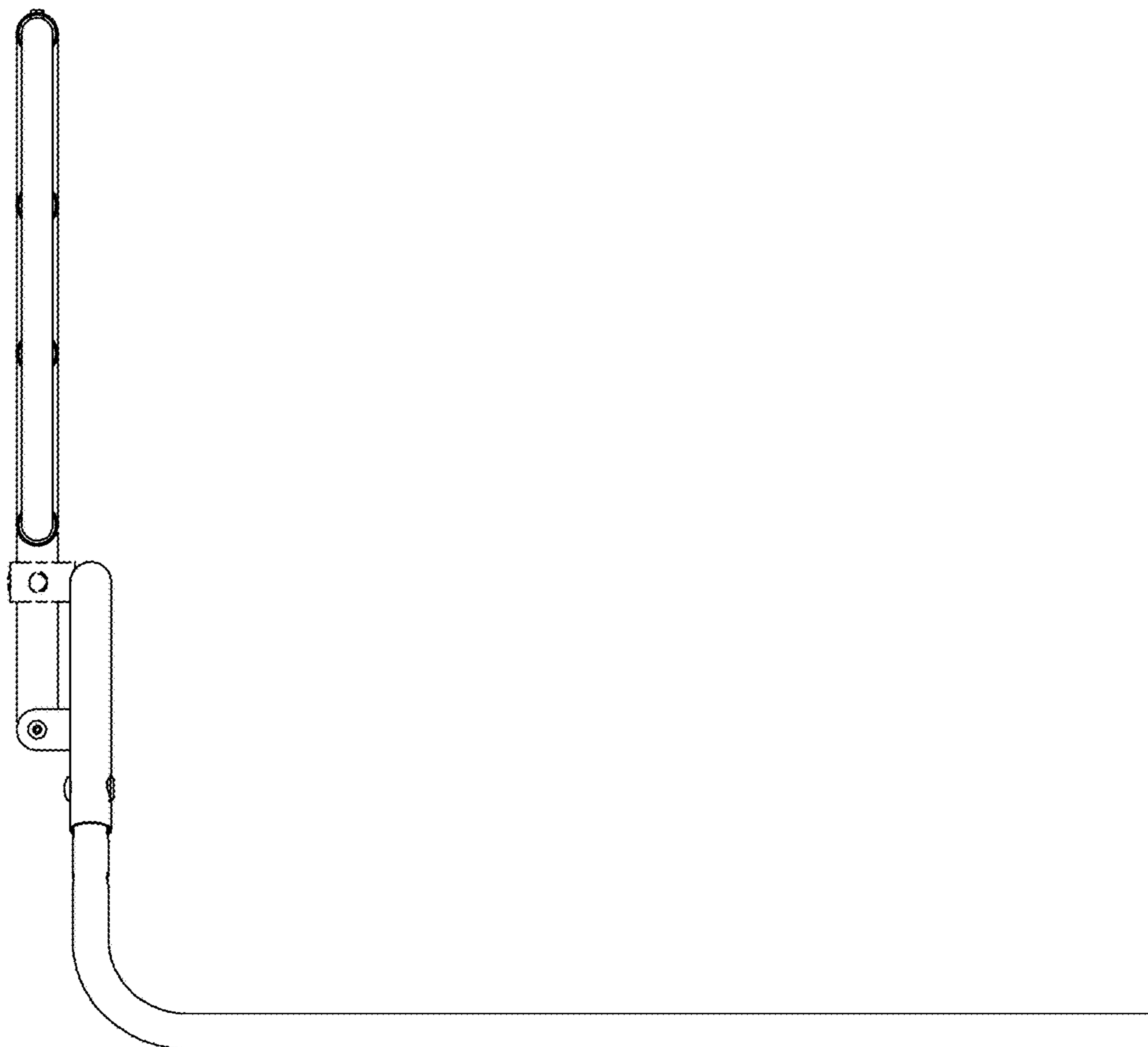


Fig. 3

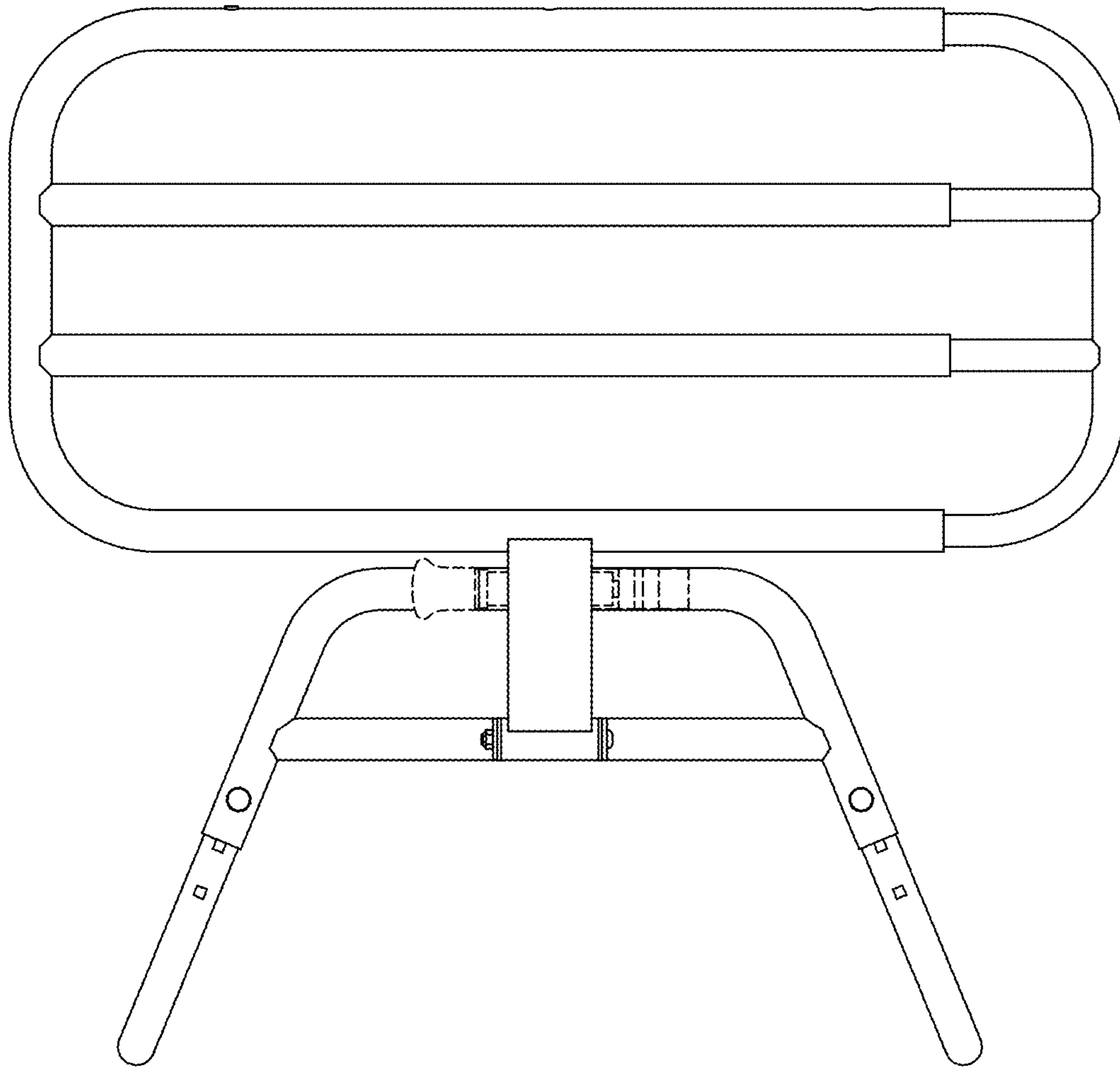


Fig. 4

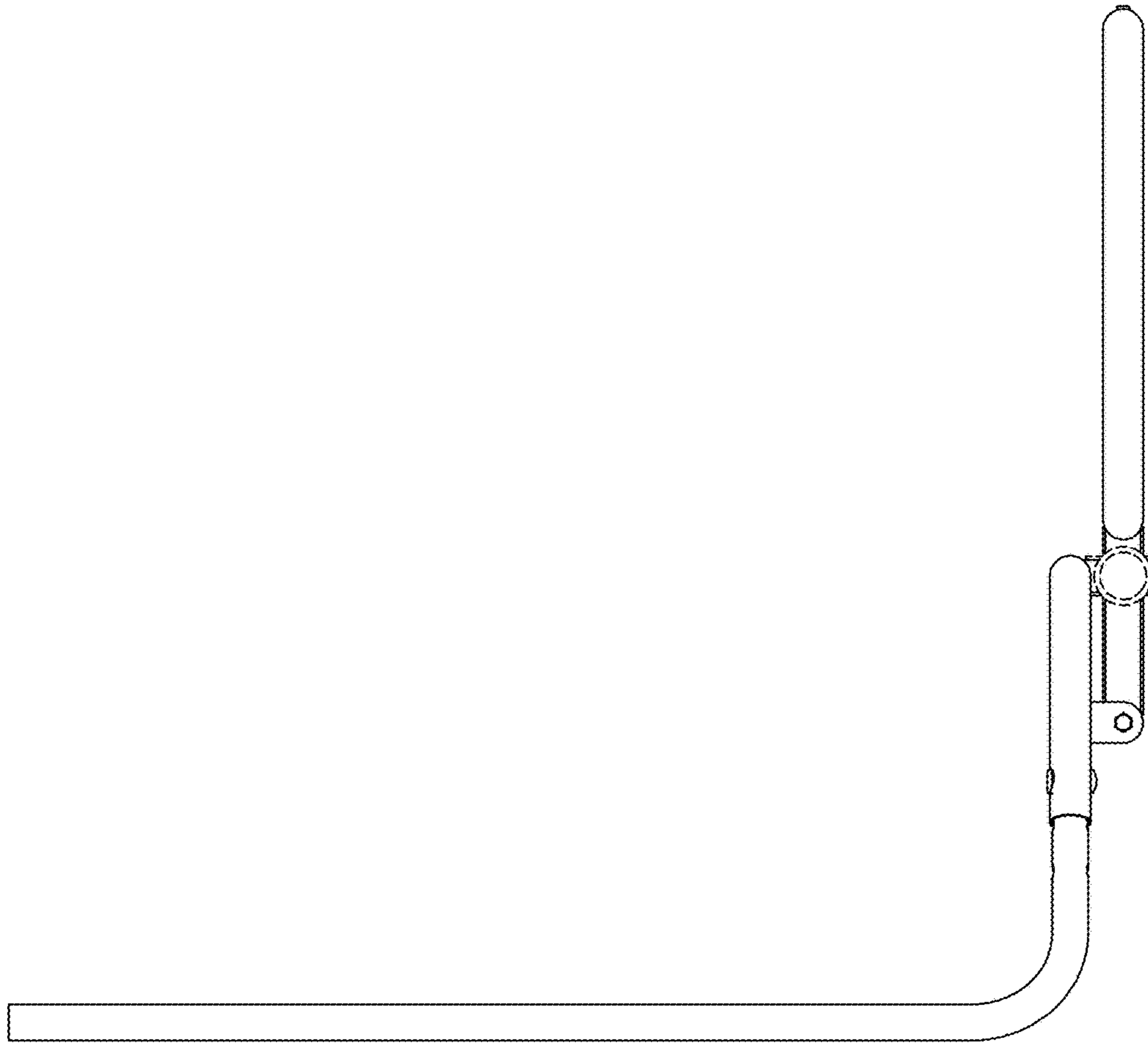


Fig. 5

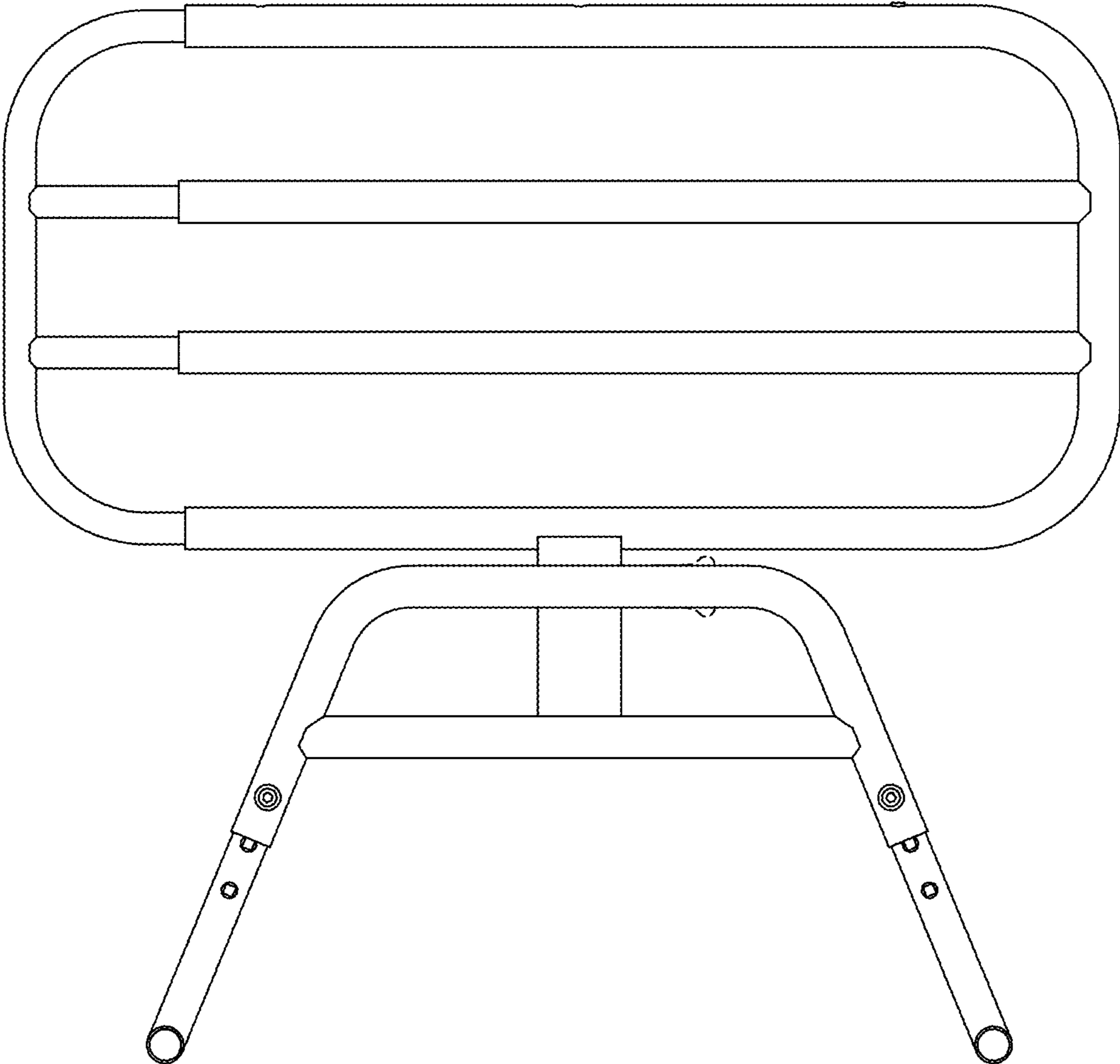


Fig. 6

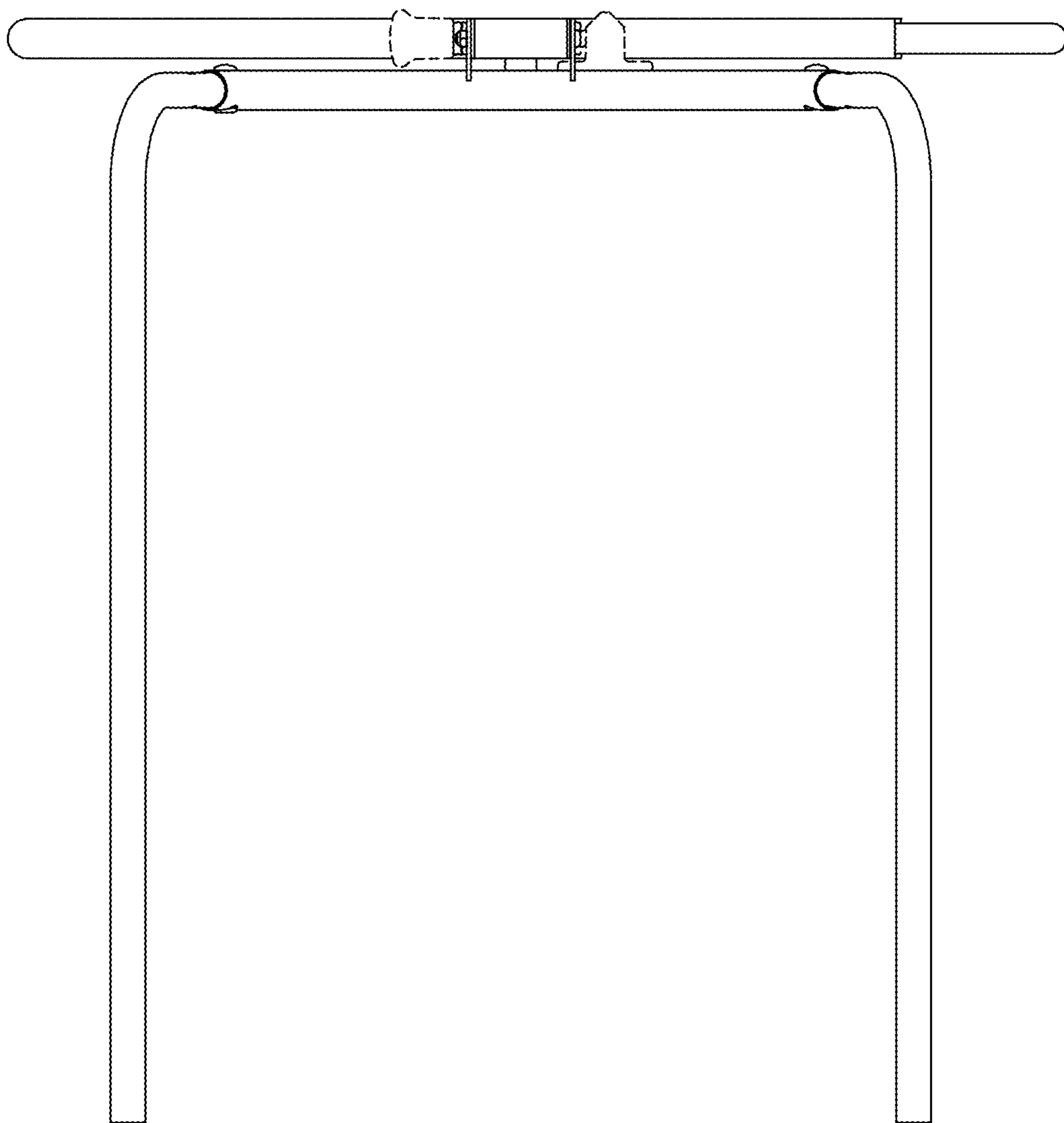


Fig. 7