



US00D798639S

(12) **United States Design Patent** (10) **Patent No.:** **US D798,639 S**
Halvorson, Jr. et al. (45) **Date of Patent:** **** Oct. 3, 2017**

(54) **PIVOTING SHELF MEMBER**
(71) Applicant: **A-dec, Inc.**, Newberg, OR (US)
(72) Inventors: **Harold Halvorson, Jr.**, Portland, OR (US); **Alexander A. Rice**, Beaverton, OR (US)
(73) Assignee: **A-dec, Inc.**, Newberg, OR (US)
(**) Term: **15 Years**
(21) Appl. No.: **29/554,512**
(22) Filed: **Feb. 11, 2016**
(51) **LOC (10) Cl.** **06-06**
(52) **U.S. Cl.**
USPC **D6/705.1**
(58) **Field of Classification Search**
USPC D6/406.1, 406.2, 406.3, 406.6, 704, 705, D6/705.1, 707, 707.19; D7/550.1, 552.1, D7/554.3
CPC A47G 23/06; A47G 23/0608; A47B 1/00; A47B 2203/0821; A47B 9/00; A47B 9/12; A47B 21/02; A47B 21/0314; A47B 23/001
See application file for complete search history.

(56) **References Cited**
U.S. PATENT DOCUMENTS
D270,506 S * 9/1983 Thorne D6/406.2
D301,820 S * 6/1989 Wasserman D6/406.6
D305,015 S * 12/1989 Roche D12/133
D371,644 S * 7/1996 Lillelund D30/119
D374,798 S * 10/1996 Pippins, Jr. D6/406.3
D387,623 S * 12/1997 Brooks D7/553.8
D405,226 S * 2/1999 Conway D28/20
D413,209 S * 8/1999 Jarke D6/406.3
D414,634 S * 10/1999 Smith D6/707.22
D433,580 S * 11/2000 Jarke D6/406.3
D440,798 S * 4/2001 Kuhlman D6/707.22
D442,795 S * 5/2001 Holt D6/406.3

D443,434 S * 6/2001 Tinsley D6/406.3
D455,024 S * 4/2002 Mimick D6/406.3
D468,142 S * 1/2003 Plavsic D6/707.22
D472,728 S * 4/2003 Harris D6/406.3
D490,103 S * 5/2004 Rangel D19/10
D526,810 S * 8/2006 Lorr D6/406.5
D526,952 S * 8/2006 Stahel D12/411
D548,496 S * 8/2007 Samtani D6/656.13
D581,704 S * 12/2008 Hwang D6/656.13
D587,480 S * 3/2009 Ciocchini D6/406.2
D612,169 S * 3/2010 Chang D6/656.13
D624,921 S * 10/2010 Hart D14/436
D626,380 S * 11/2010 Harris D7/553.1
D627,822 S * 11/2010 Ho D19/113
D645,675 S * 9/2011 Rice D6/406.3
D672,163 S * 12/2012 Wells D6/406.3
D705,531 S * 5/2014 Johnson D3/201

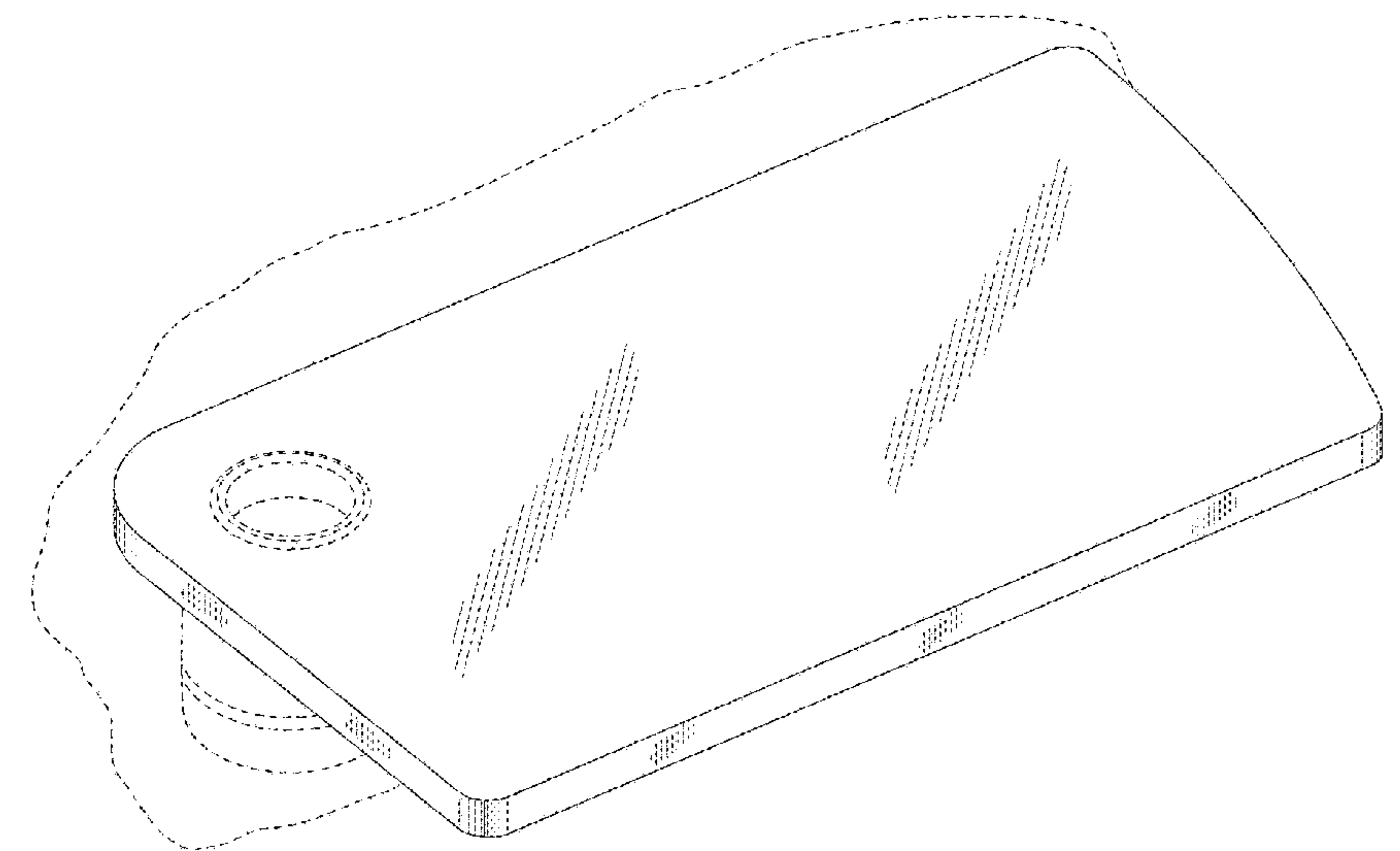
(Continued)

Primary Examiner — Kelley Donnelly
(74) *Attorney, Agent, or Firm* — Klarquist Sparkman, LLP

(57) **CLAIM**
The ornamental design for a pivoting shelf member, as shown and described.

DESCRIPTION
FIG. 1 is a perspective view of a pivoting shelf member in use condition.
FIG. 2 is a top plan view of the pivoting shelf member.
FIG. 3 is a bottom plan view thereof.
FIG. 4 is a front elevational view thereof.
FIG. 5 is a rear elevational view thereof.
FIG. 6 is a right side elevational view thereof; and,
FIG. 7 is a left side elevational view thereof.
The broken line showing of a pivot opening forms no part of the claimed design.
The broken line showing of a portion of a pivot arm illustrates the environment of the claimed design and forms no part thereof.

1 Claim, 2 Drawing Sheets



(56)

References Cited

U.S. PATENT DOCUMENTS

D724,343	S	*	3/2015	Sinha	D6/406.3
D749,869	S	*	2/2016	Wenji	D6/406.2
D764,206	S	*	8/2016	Lin	D6/406.1
D770,459	S	*	11/2016	Yoo	D14/447
D770,796	S	*	11/2016	Lin	D6/406.1
D774,810	S	*	12/2016	Biddle	D6/691.4
D776,485	S	*	1/2017	Bradley	D7/550.1
D778,652	S	*	2/2017	Siebert	D6/707.15
2006/0243633	A1	*	11/2006	Fialova	A47G 23/0625
						206/557
2011/0259763	A1	*	10/2011	O'Brien	B44D 3/02
						206/1.7

* cited by examiner

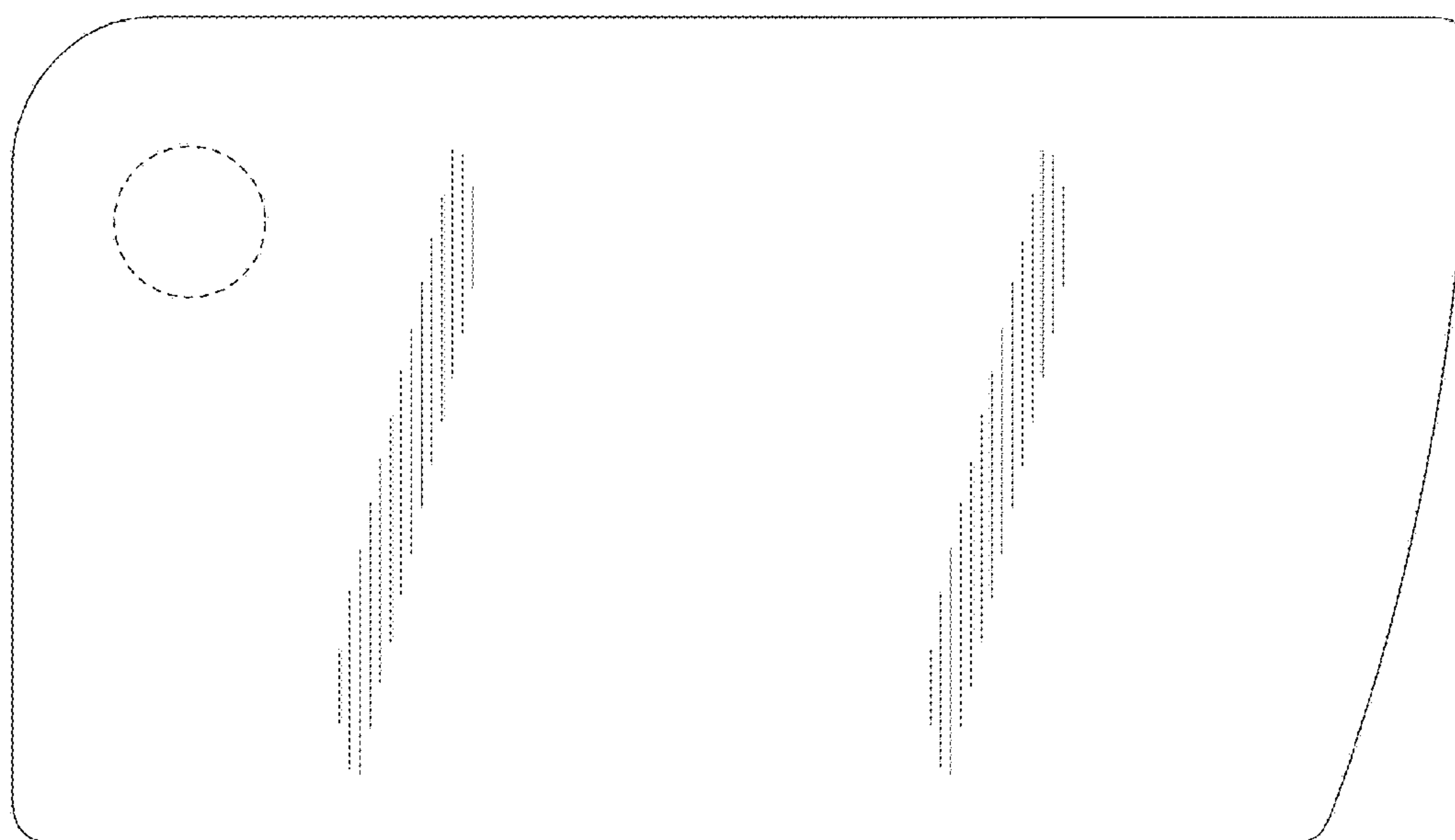
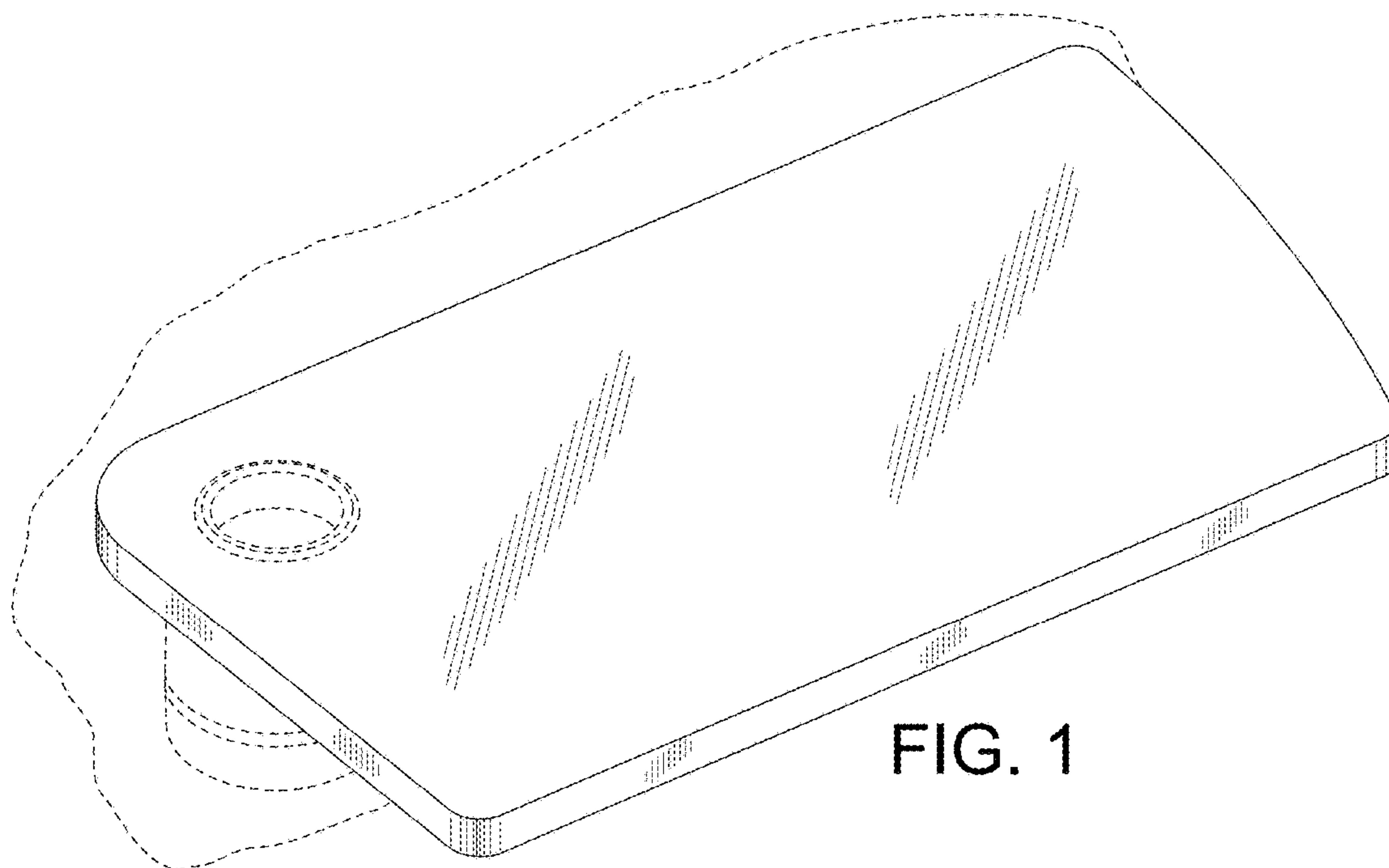


FIG. 2

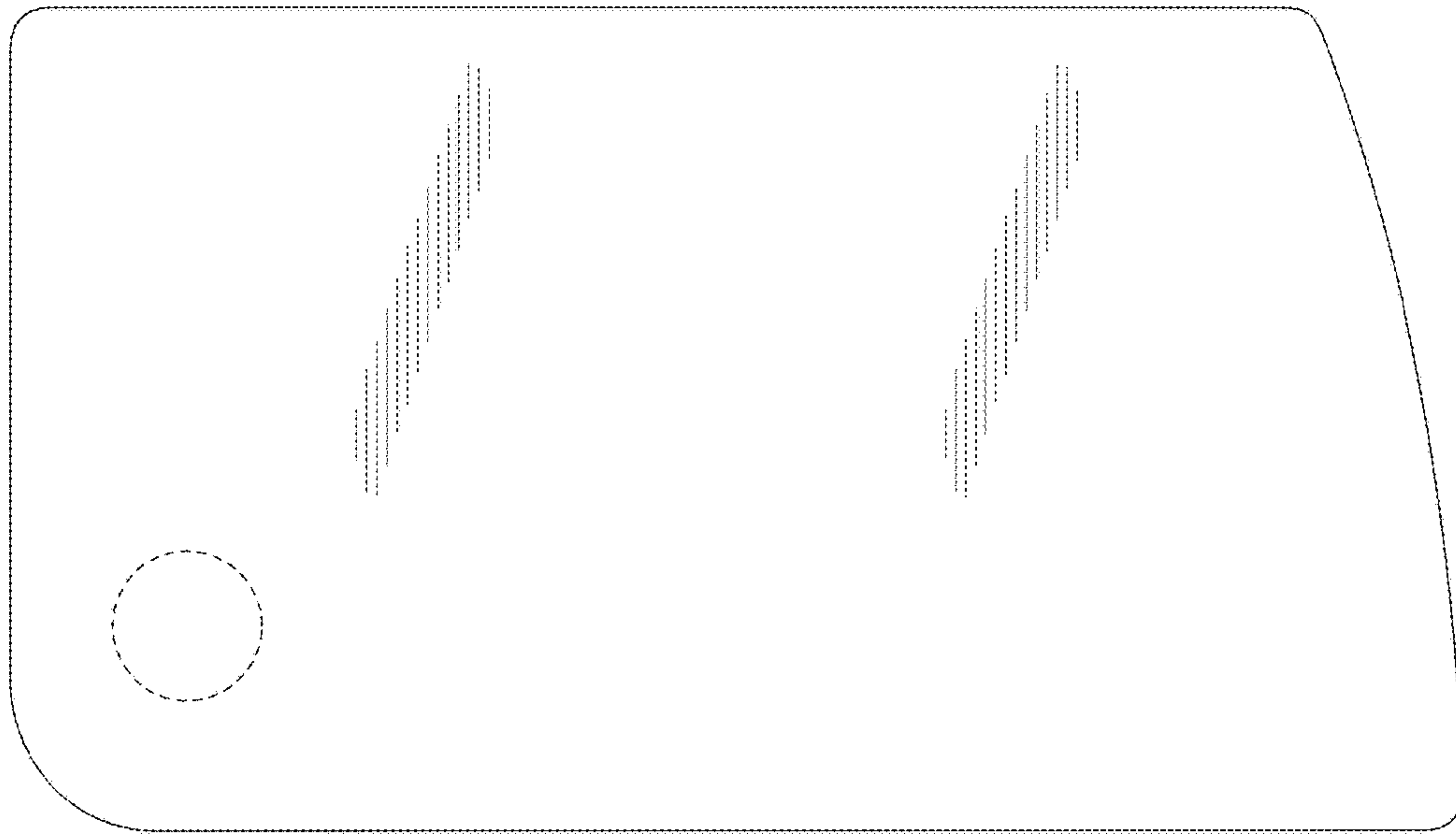


FIG. 3



FIG. 4

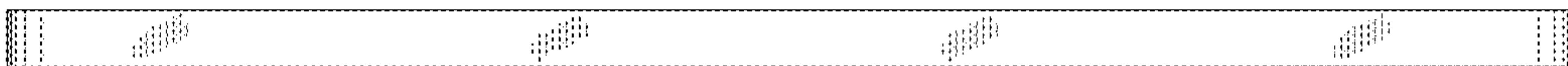


FIG. 5

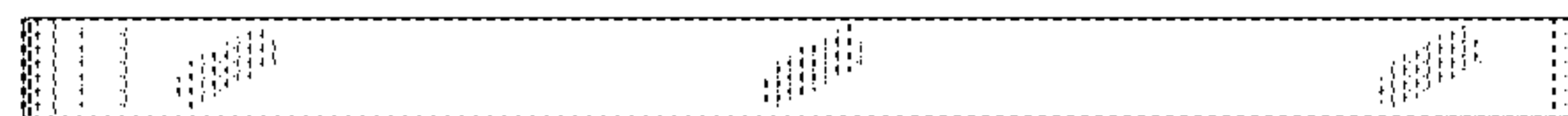


FIG. 6

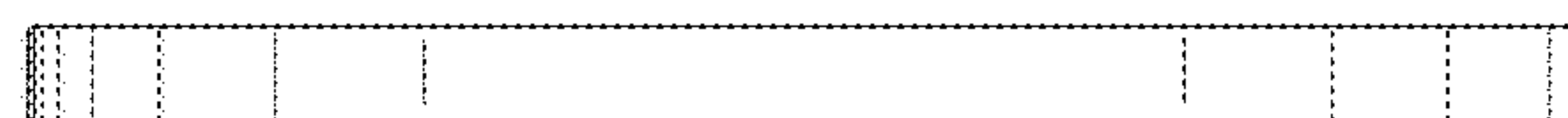


FIG. 7