



US00D798638S

(12) **United States Design Patent** (10) **Patent No.:** **US D798,638 S**
Chong (45) **Date of Patent:** **** Oct. 3, 2017**

(54) **ACCESSORY CADDY**
(71) Applicant: **Elkay Manufacturing Company**, Oak Brook, IL (US)
(72) Inventor: **Jonathan Chee Yeen Chong**, Chicago, IL (US)
(73) Assignee: **ELKAY MANUFACTURING COMPANY**, Oak Brook, IL (US)

D689,550 S * 9/2013 Rodgers D19/90
D697,309 S 1/2014 Baldwin et al.
D699,973 S * 2/2014 Pan D6/553
(Continued)

(**) Term: **15 Years**

(21) Appl. No.: **29/554,323**

(22) Filed: **Feb. 10, 2016**

(51) **LOC (10) Cl.** **06-06**

(52) **U.S. Cl.**
USPC **D6/703.1**

(58) **Field of Classification Search**
USPC D3/303-304, 307-308, 310, 315;
D19/65, 75, 77-78, 95; D6/673, 702,
D6/703.1
CPC B65D 1/00; B65D 11/02; B65D 11/20;
B65D 21/02; B65D 21/04; B65D 23/00;
B65D 23/02
See application file for complete search history.

(56) **References Cited**

U.S. PATENT DOCUMENTS

D311,800 S * 10/1990 Kiiski D3/304
D363,627 S 10/1995 North
D418,119 S * 12/1999 Rowell D3/218
D481,894 S 11/2003 Hunt
D486,644 S 2/2004 Claypool
D546,593 S 7/2007 Bergin
D572,904 S * 7/2008 Beckerman D3/304
D577,913 S 10/2008 Thompson et al.
D595,775 S 7/2009 Weinstein
D679,528 S 4/2013 Gilboe et al.

OTHER PUBLICATIONS

“004091 Classic+ Worktop Stainless Steel Kitchen Sink”, Home Refinements—Julien, Inc., <http://www.homerefinements.ca/en/product/model/004091>. (Downloaded from internet Sep. 21, 2016).
(Continued)

Primary Examiner — Kelley Donnelly

(74) *Attorney, Agent, or Firm* — Leydig, Voit & Mayer, Ltd.

(57) **CLAIM**

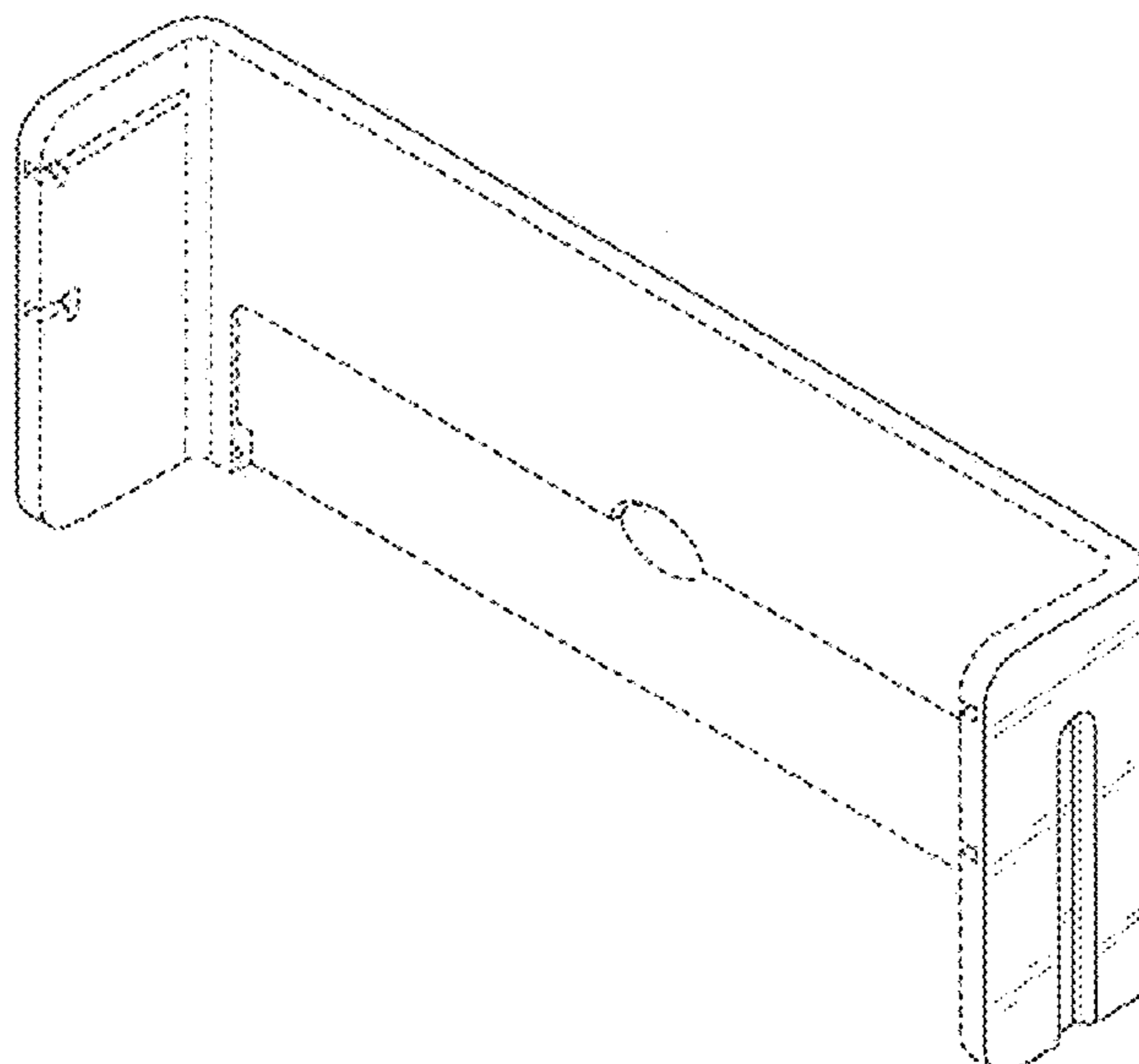
The ornamental design for an accessory caddy, as shown and described.

DESCRIPTION

FIG. 1 is a perspective view taken from the top, front, and right side of an accessory caddy showing our new design; FIG. 2 is a perspective view taken from the top, front, and left side of an accessory caddy showing our new design; FIG. 3 is a top plan view of the accessory caddy shown in FIG. 1; FIG. 4 is a bottom view of the accessory caddy shown in FIG. 1; FIG. 5 is a front elevational view of the accessory caddy shown in FIG. 1; FIG. 6 is a rear elevational view of the accessory caddy shown in FIG. 1; FIG. 7 is a right elevational side view of the accessory caddy shown in FIG. 1; and, FIG. 8 is a left elevational side view of the accessory caddy shown in FIG. 1.

The broken lines are for illustration purposes only and form no part of the claimed design.

1 Claim, 5 Drawing Sheets



(56)

References Cited

U.S. PATENT DOCUMENTS

D711,665 S	8/2014	Mattei	
D723,302 S	3/2015	Goodman et al.	
D725,405 S *	3/2015	Tsai	D6/513
D725,911 S	4/2015	McManus et al.	
D726,446 S	4/2015	Tollasepp et al.	
9,022,266 B1	5/2015	Kleppin	
D731,187 S *	6/2015	Thompson	D3/315
D731,728 S	6/2015	Evans et al.	
D764,315 S	8/2016	Rachocki et al.	
D781,069 S *	3/2017	Marshall	D6/553

OTHER PUBLICATIONS

“Á la Carte Options,” Home Refinements—Julien, Inc., http://www.homerefinements.ca/en/a_la_carte/options/. (Downloaded from internet Sep. 21, 2016).

“Innovative Kitchen Sinks—Interior Design Inspiration,” Eva Designs, <http://www.evadesigns.com/interior-design/kitchen/innovative-kitchen-sinks>. (Jul. 20, 2010).

“OL-320L,” Oulin, <http://www.oulin.com.pk/my-product/sink-21/>. (Jul. 9, 2014).

“One™ Stainless Steel Sink Accessories,” Blanco, http://www.blanco-germany.com/en_us/sinks/sink_accessories/one_acc/sets.html. (Downloaded from internet Sep. 21, 2016).

“Strive Under-Mount Kitchen Sink, K-5281-NA,” Kohler, <http://www.us.kohler.com/us/Strive%E2%84%A2-32-x-18-1-4-x-9-5-16-under-mount-double-equal-kitchen-sink-with-basin-rack/productDetail/Under-Mount-Sinks/941424.htm?brandId=969700&skuId=941401&categoryId=651473&hash=id%3Dfilters%26startIndex%3D20%26scrollTop%3D300>. (Downloaded from internet Sep. 21, 2016).

“The Blanco Quatrus™ Colletion,” Blanco, http://www.blanco-germany.com/en_us/sinks/new_sinks/new_accessories/quatrus_accessories.html. (Downloaded from internet Sep. 21, 2016).

* cited by examiner

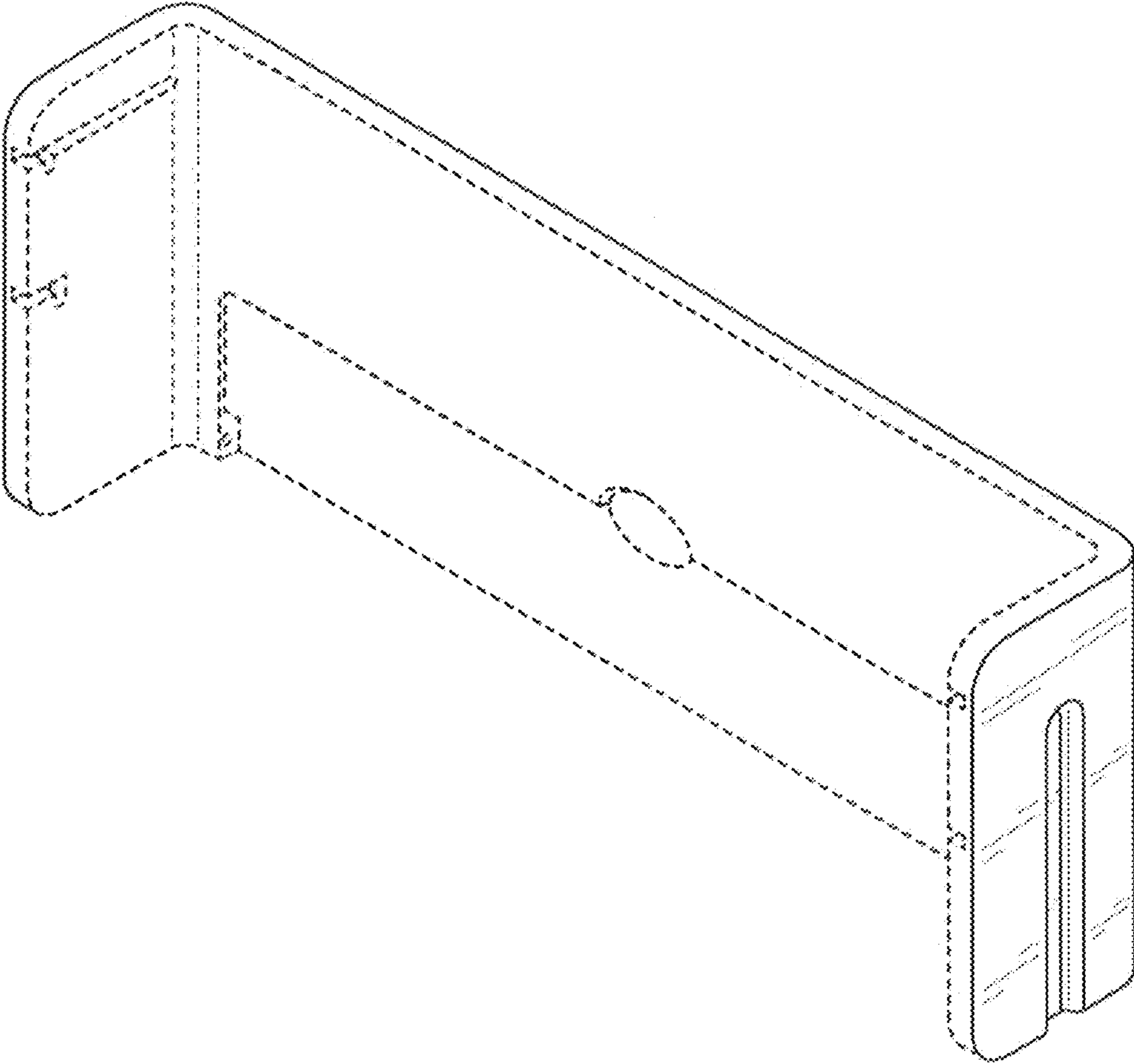


FIG. 1

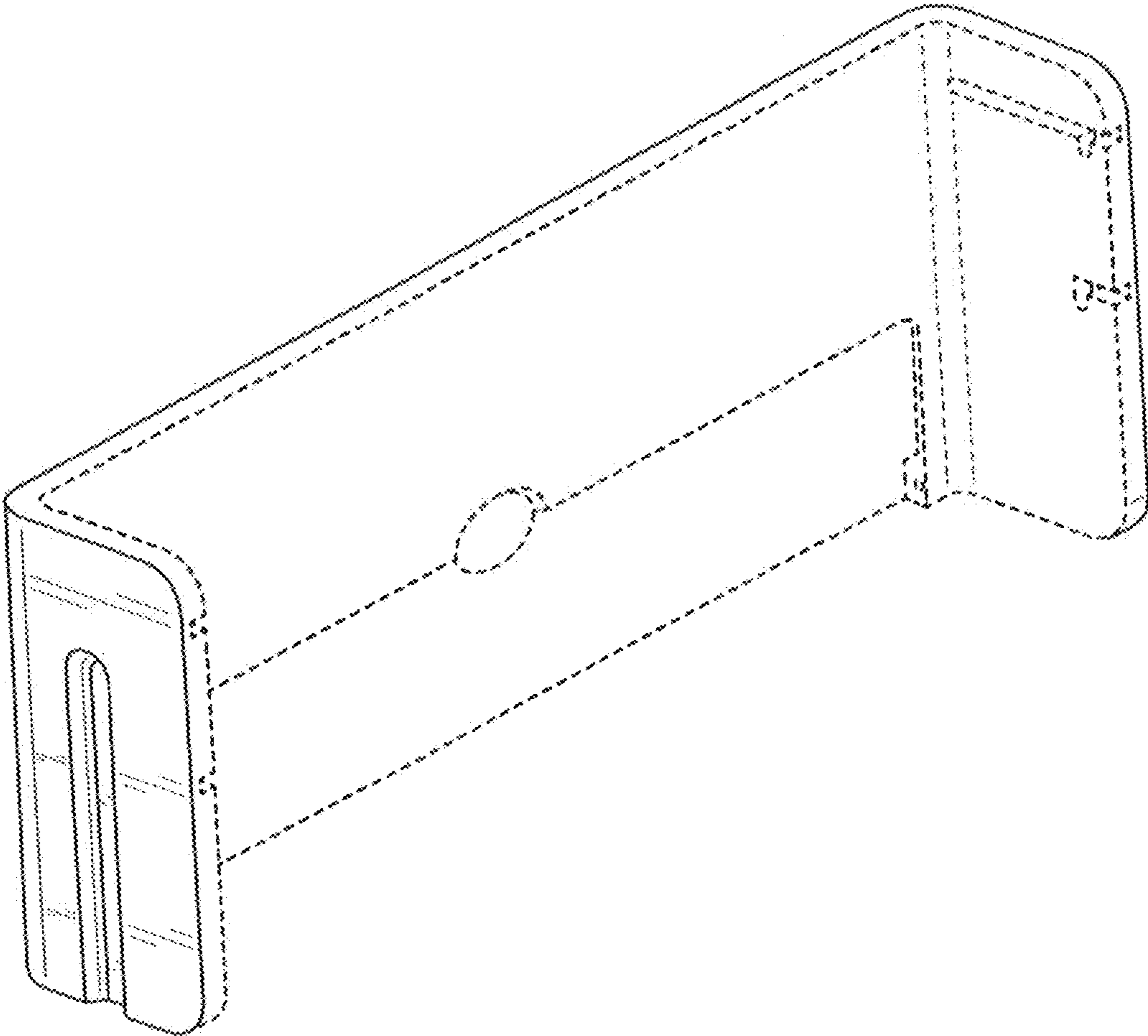


FIG. 2

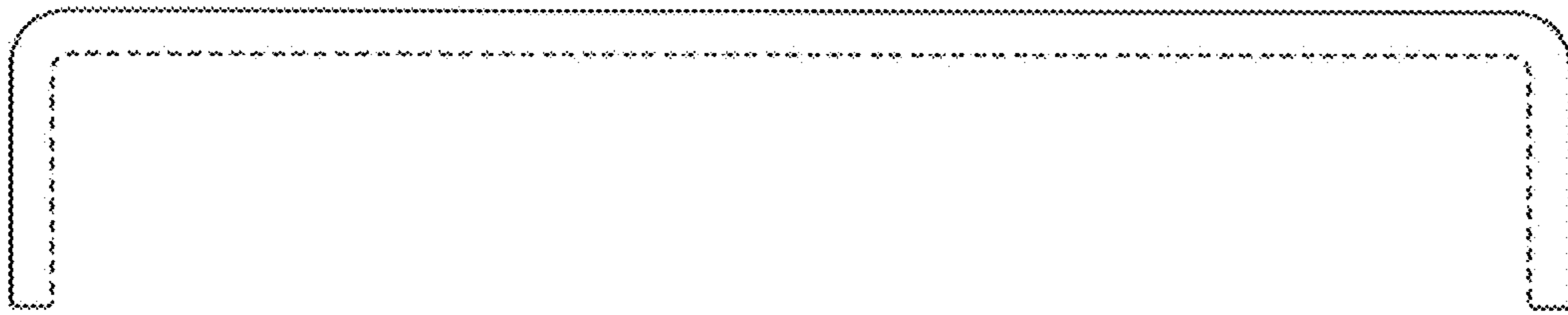


FIG. 3

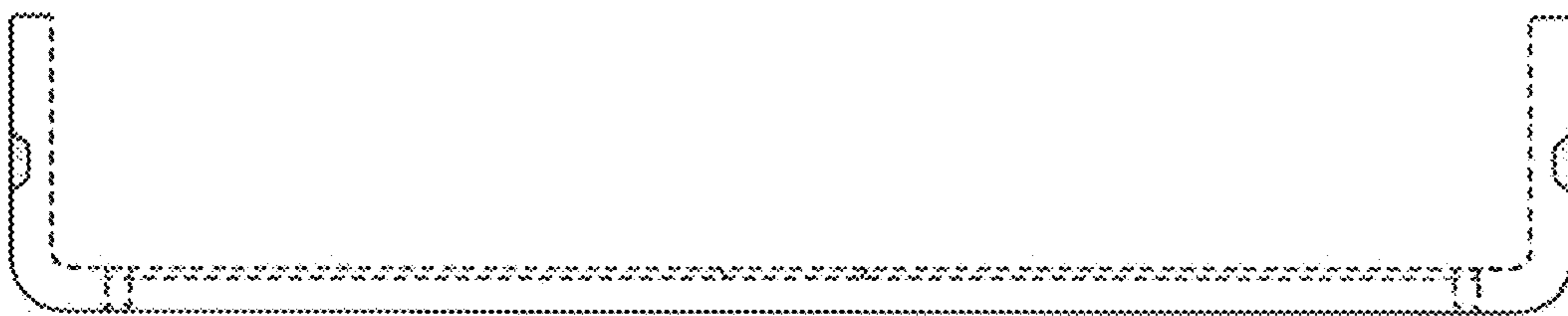


FIG. 4

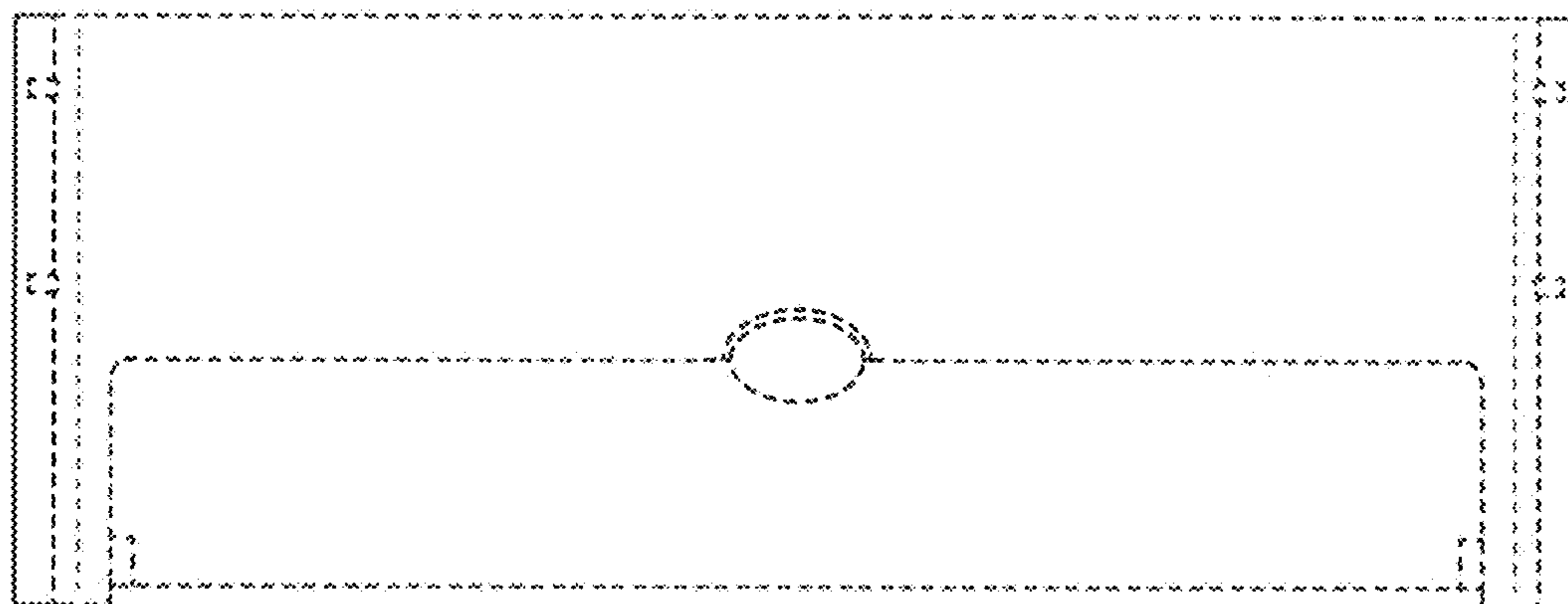


FIG. 5

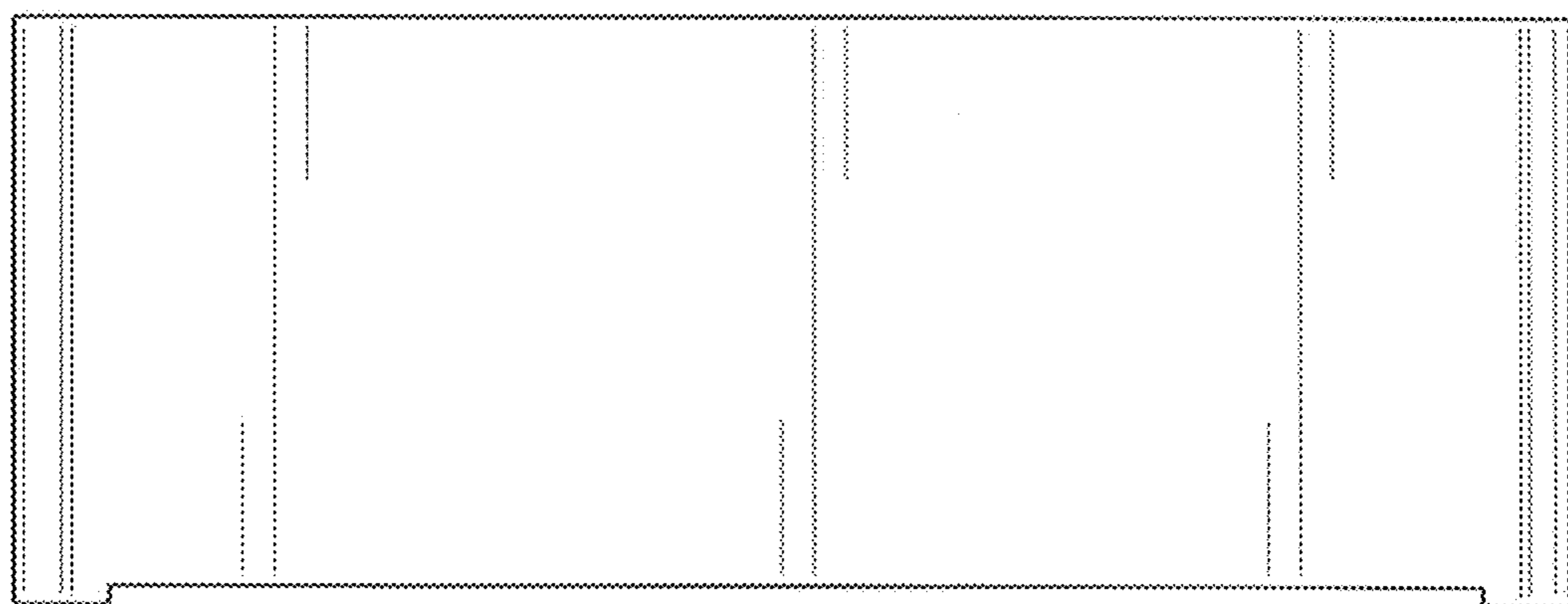


FIG. 6

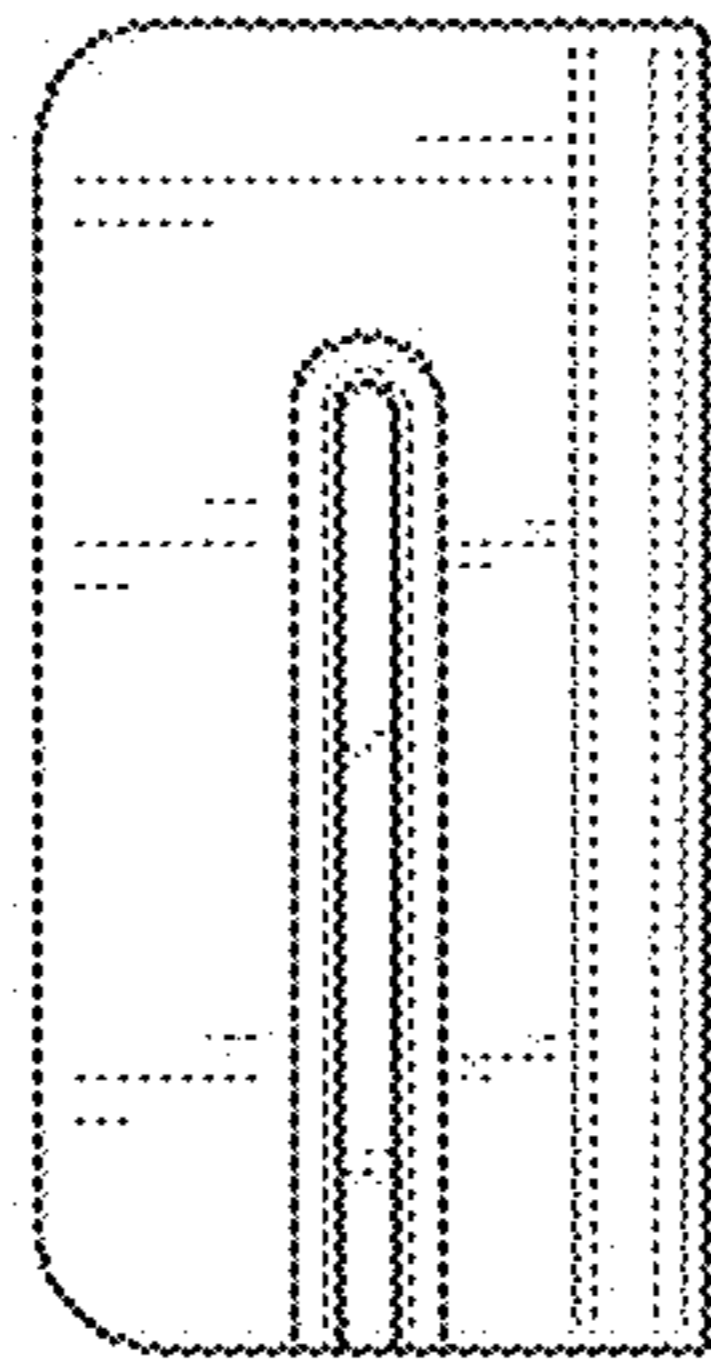


FIG. 7

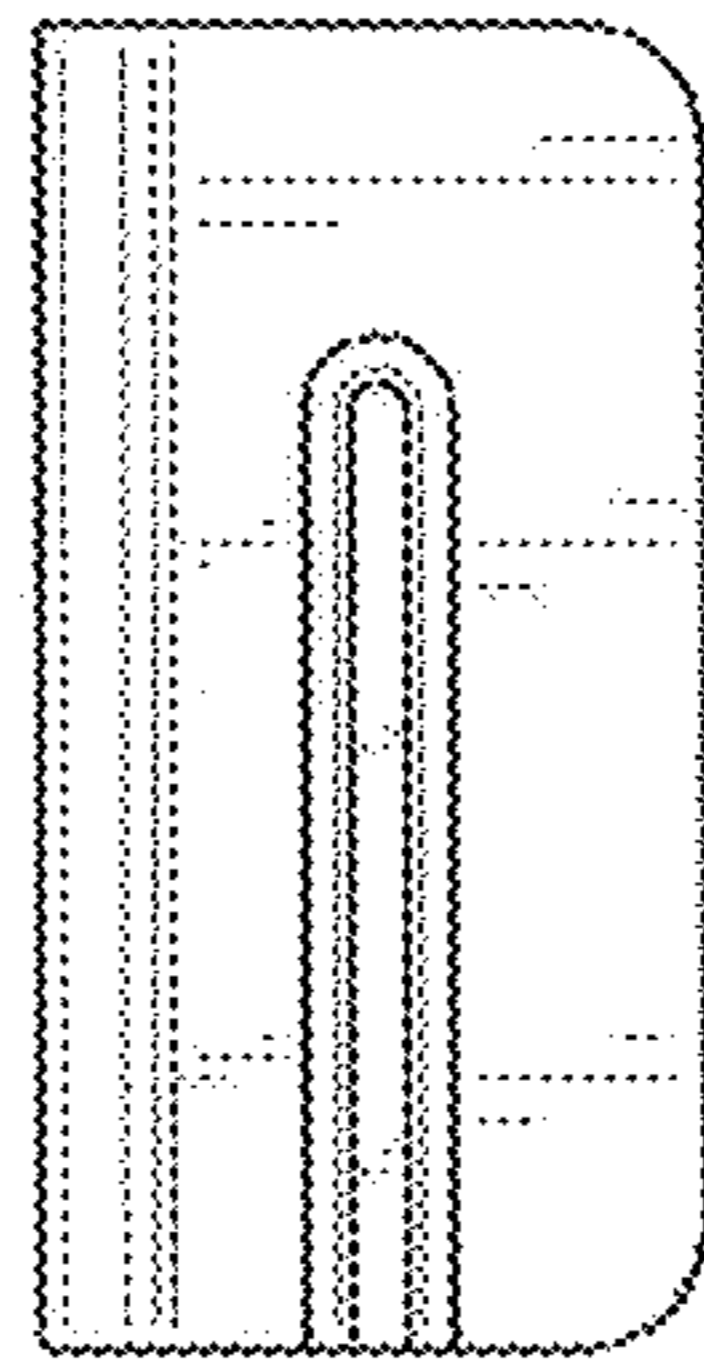


FIG. 8