



US00D798636S

(12) **United States Design Patent** (10) **Patent No.:** **US D798,636 S**
Van Landingham, Jr. (45) **Date of Patent:** **** Oct. 3, 2017**

- (54) **STAND**
- (71) Applicant: **InVue Security Products Inc.,**
Charlotte, NC (US)
- (72) Inventor: **A. Reneau Van Landingham, Jr.,**
Pineville, NC (US)
- (73) Assignee: **InVue Security Products Inc.,**
Charlotte, NC (US)
- (**) Term: **15 Years**
- (21) Appl. No.: **29/542,133**
- (22) Filed: **Oct. 12, 2015**
- (51) **LOC (10) Cl.** **06-04**
- (52) **U.S. Cl.**
USPC **D6/677.4; D14/423; D14/434**
- (58) **Field of Classification Search**
USPC **D6/675.4, 677.4, 682, 701; D14/172,**
D14/216, 217, 243, 265, 420, 434, 447;
181/148, 153, 198, 199; D24/166;
439/531; 40/642.02
CPC **A45F 2005/002; A45F 5/00; A45F**
2200/0508; A45F 2200/0525
See application file for complete search history.

- D720,752 S * 1/2015 Bleads D14/420
 - D728,575 S * 5/2015 David D14/434
 - D728,576 S * 5/2015 David D14/434
 - D756,152 S * 5/2016 Schwalbach D6/677.4
- (Continued)

OTHER PUBLICATIONS

“Series S1500 Alarm-on-merchandise: proven to provide superior production.”, 2015, 8 pages, InVue Security Products Inc.
(Continued)

Primary Examiner — Manpreet Matharu
Assistant Examiner — Keith Wilson
(74) *Attorney, Agent, or Firm* — InVue Security Products Inc.

(57) **CLAIM**

I claim the ornamental design for a stand, as shown and described.

DESCRIPTION

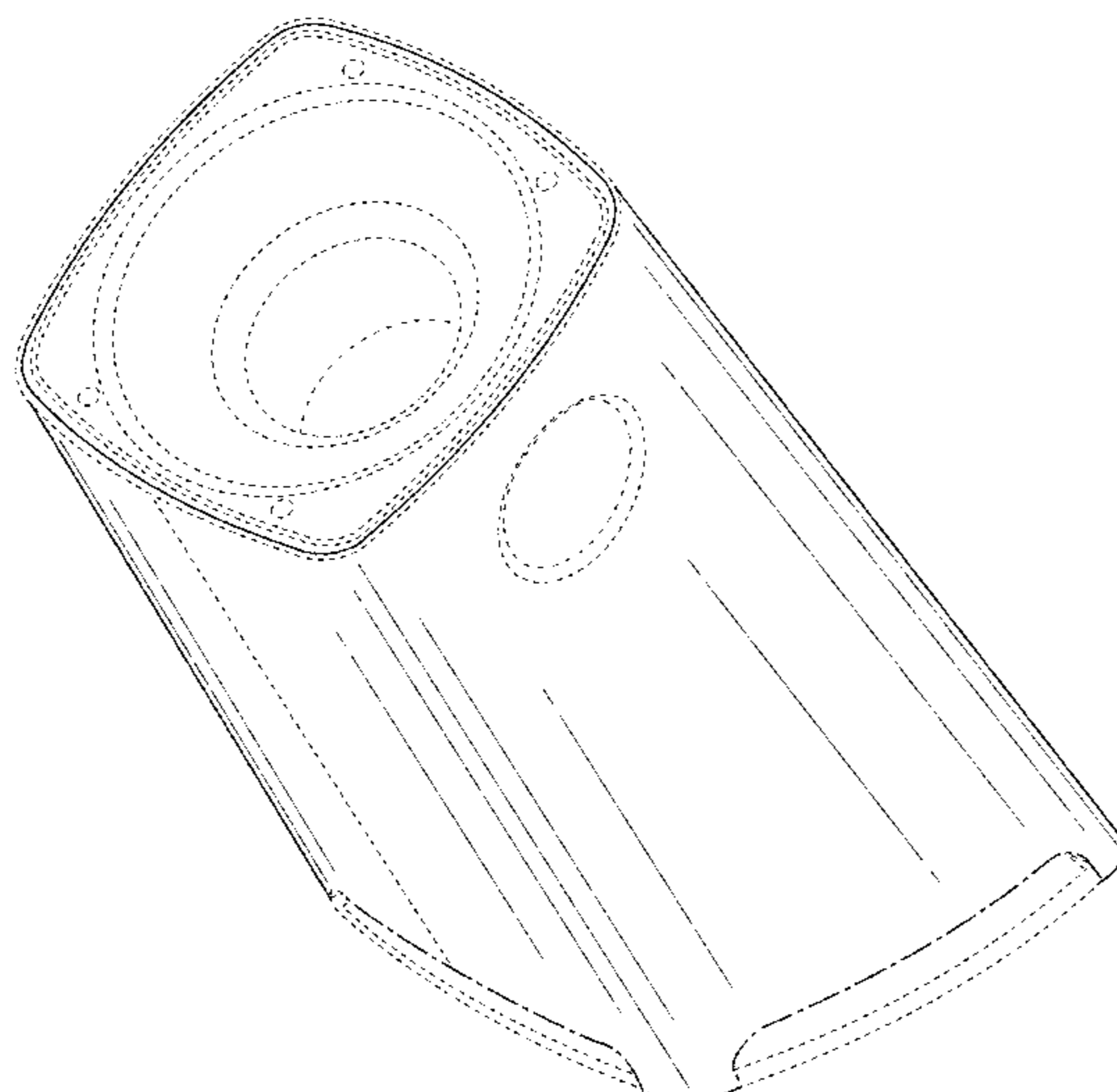
FIG. 1 is a perspective view of a stand showing my design;
FIG. 2 is a left side view thereof;
FIG. 3 is a right side thereof;
FIG. 4 is rear view thereof;
FIG. 5 is front view thereof;
FIG. 6 is a top view thereof;
FIG. 7 is a bottom view thereof;
FIG. 8 is a perspective view of a stand showing another embodiment of my design;
FIG. 9 is a left side view thereof;
FIG. 10 is a right view thereof;
FIG. 11 is rear view thereof;
FIG. 12 is front view thereof;
FIG. 13 is a top view thereof; and,
FIG. 14 is a bottom view thereof.
The dash dot broken line represents a boundary and forms no part of the claimed design.

1 Claim, 14 Drawing Sheets

(56) **References Cited**

U.S. PATENT DOCUMENTS

- D239,681 S * 4/1976 Smith D6/701
- D244,857 S * 6/1977 Hayes D24/166
- D268,150 S * 3/1983 Hauser D6/675.4
- D286,960 S * 12/1986 Taub D6/675.4
- D409,018 S * 5/1999 Deuschle D14/217
- D452,236 S * 12/2001 Kohli D14/243
- D542,279 S * 5/2007 Chan D14/216
- D612,837 S * 3/2010 Murray D14/216
- D645,047 S * 9/2011 Wike D14/447
- D663,972 S * 7/2012 Alexander D6/682
- D686,852 S * 7/2013 Lalo D6/675.4
- D696,674 S * 12/2013 Vogel D14/447



(56)

References Cited

U.S. PATENT DOCUMENTS

2007/0145210 A1* 6/2007 Fawcett A47F 7/024
248/176.1
2011/0047844 A1* 3/2011 Fawcett G08B 13/1445
40/642.02
2014/0106608 A1* 4/2014 Howarth F16M 13/02
439/531

OTHER PUBLICATIONS

“Series HS150 Easy-Lift™ high security.”, 2015, 8 pages, InVue Security Products Inc.

“Series HS400 Thieves won’t beat it. Customers will love it.”, 2015, 8 pages, InVue Security Products Inc.

* cited by examiner

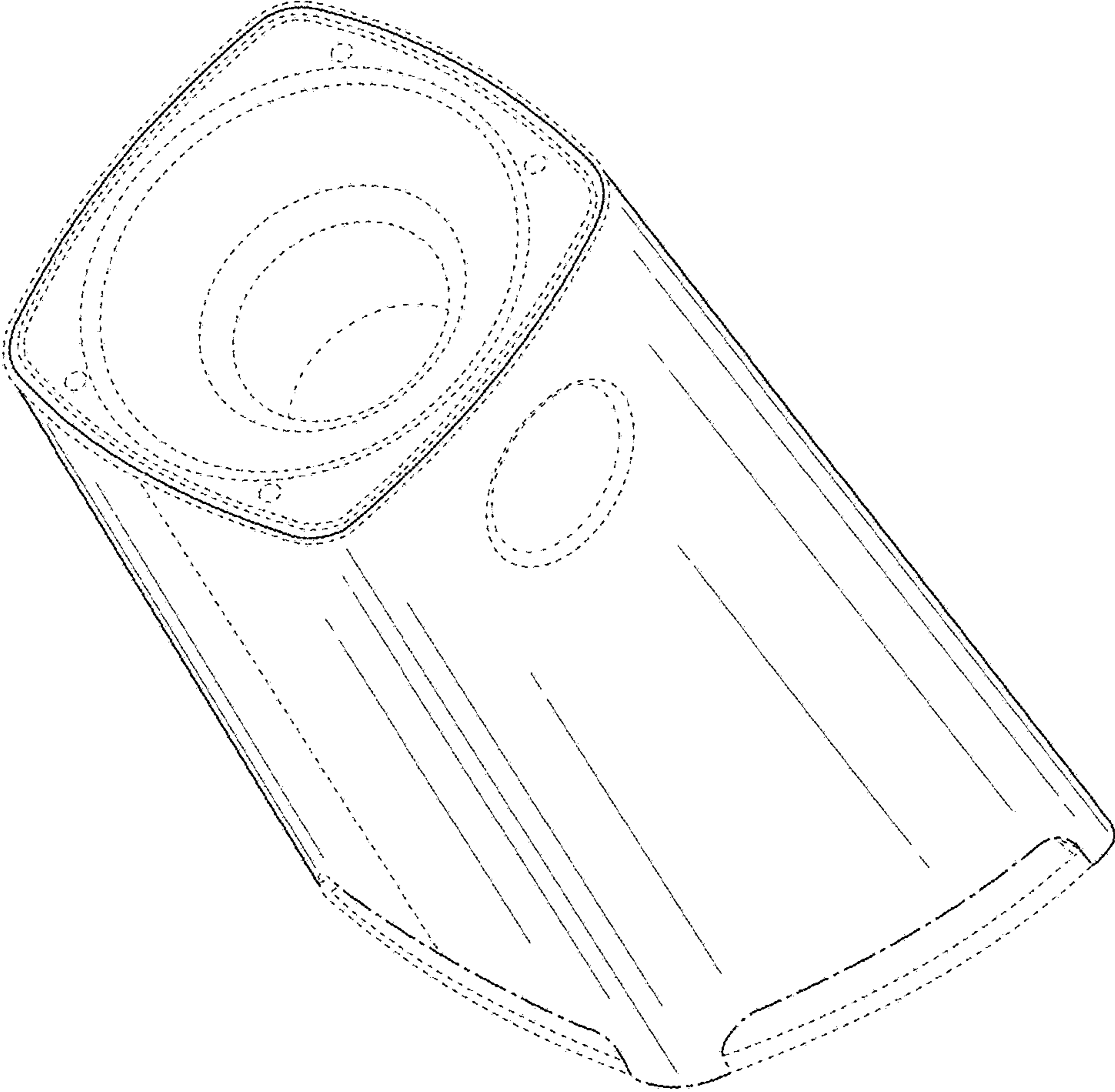


FIG. 1

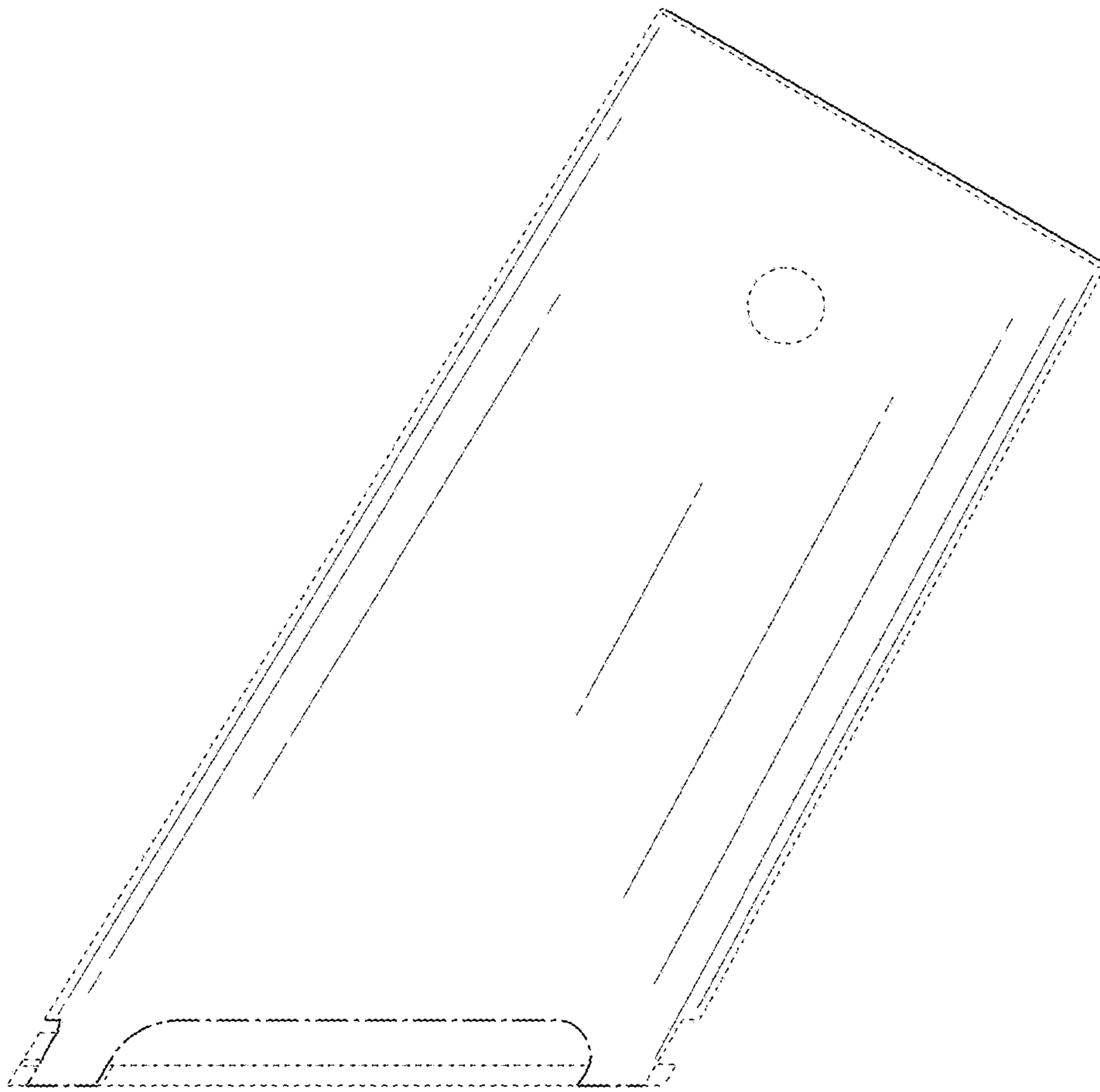


FIG. 2

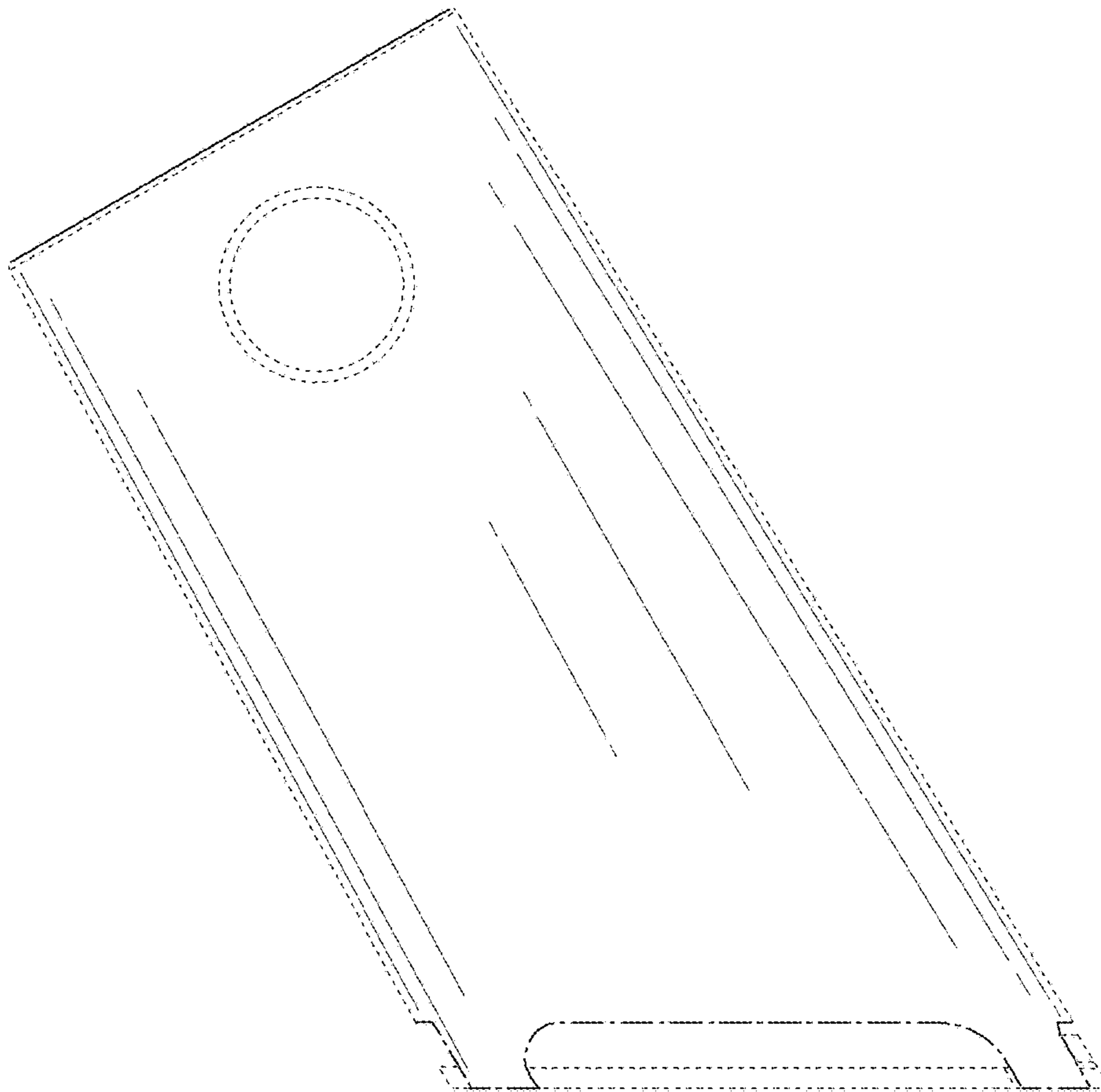


FIG. 3

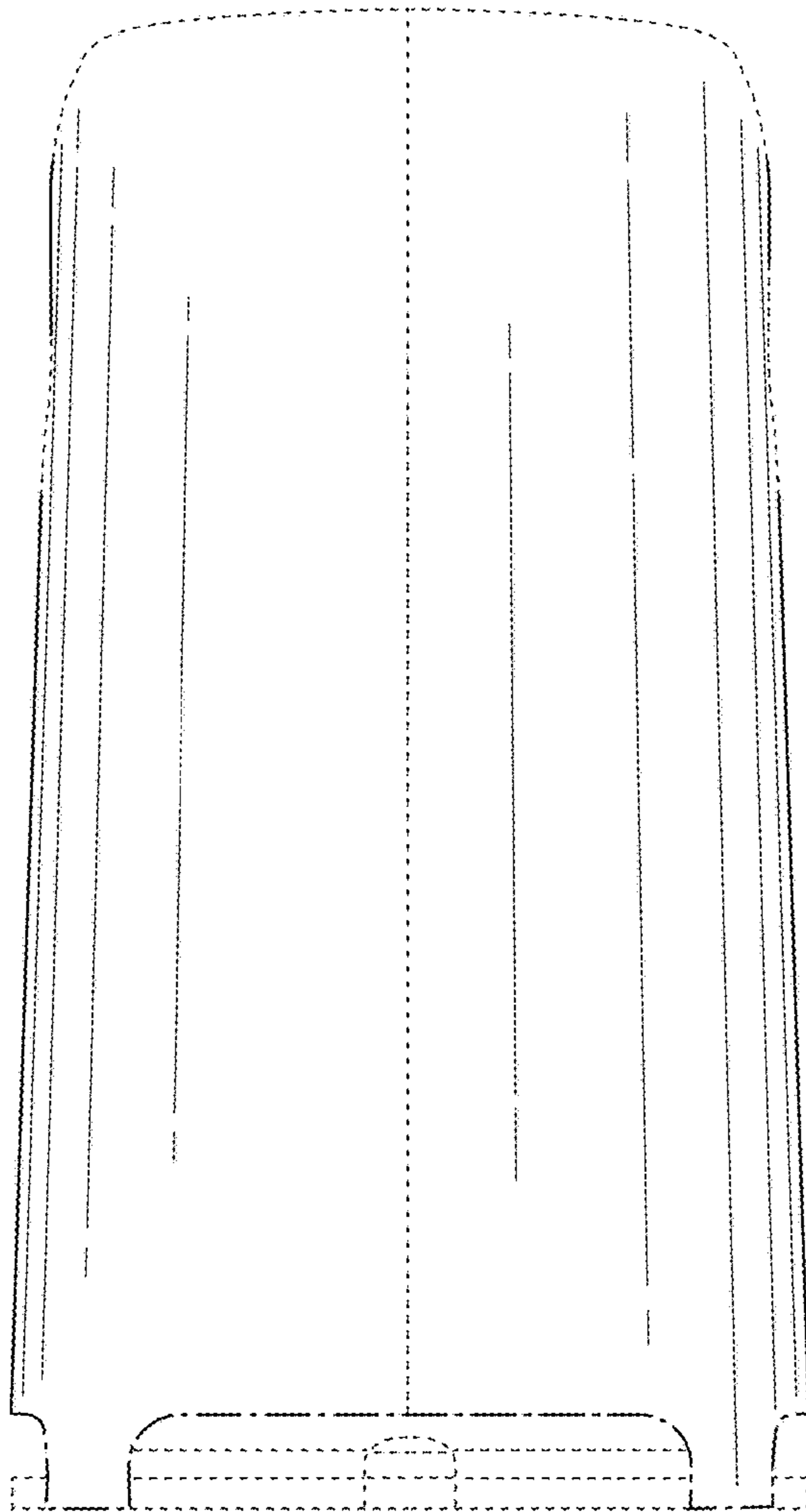


FIG. 4

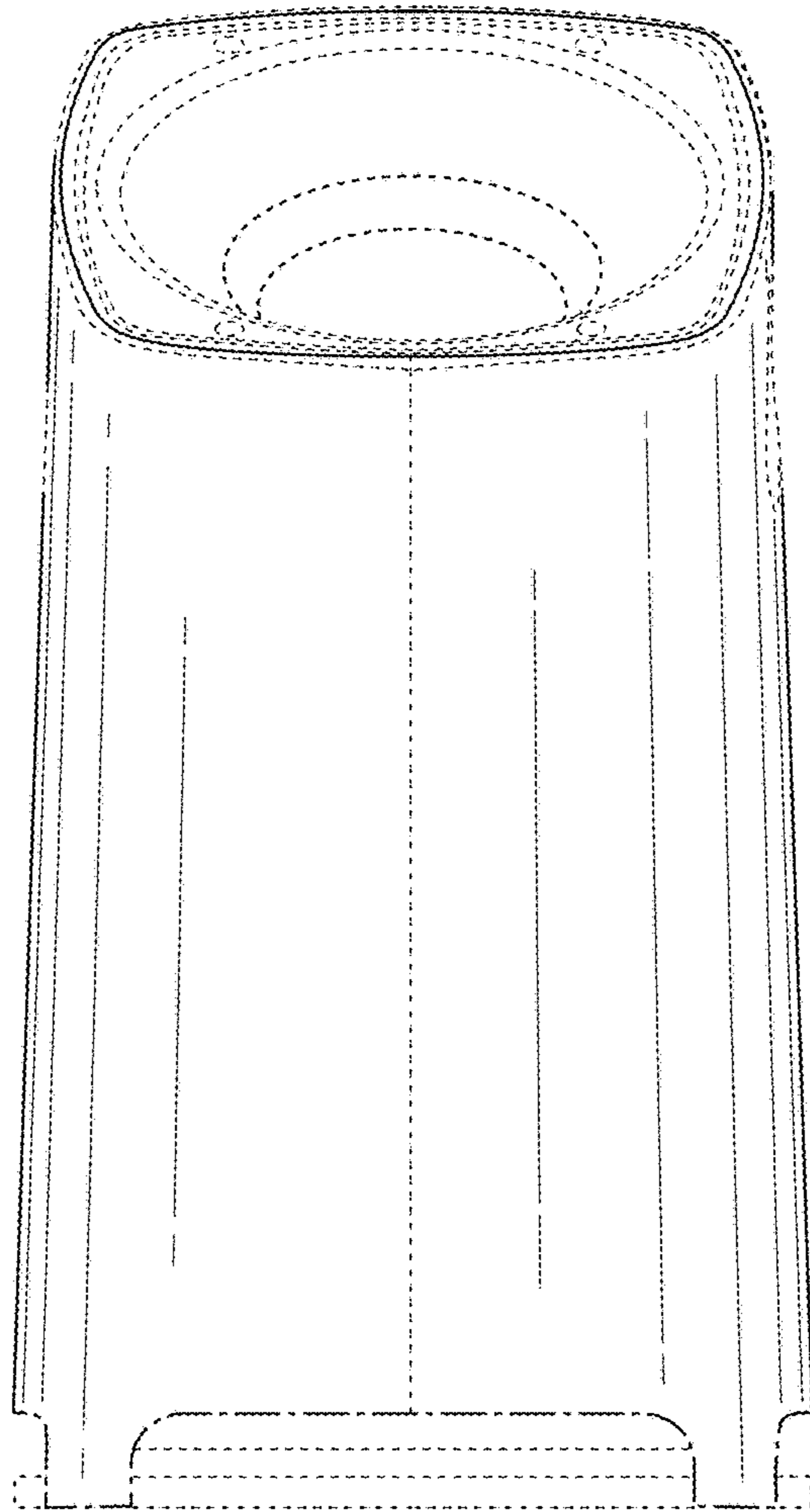


FIG. 5

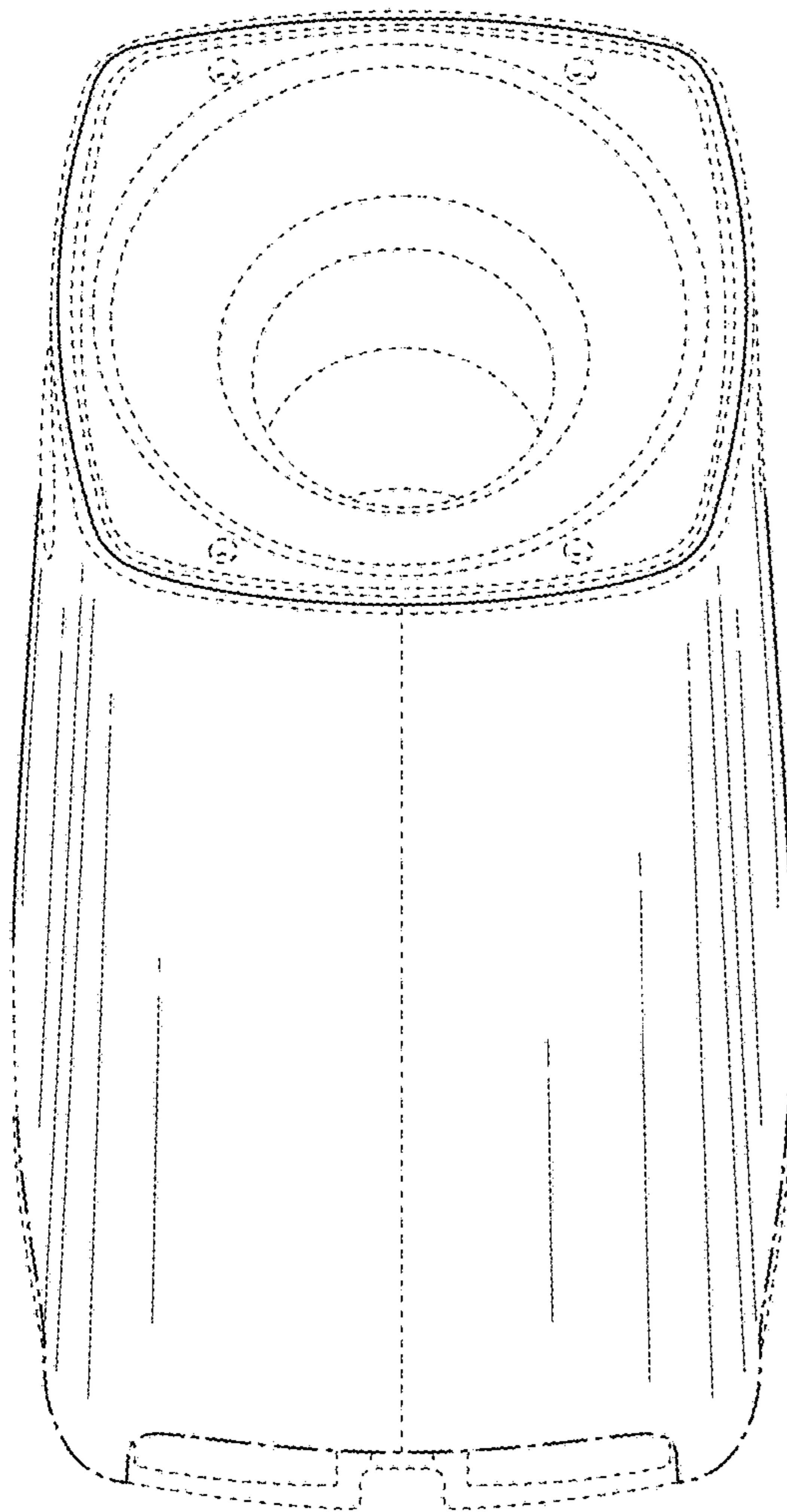


FIG. 6

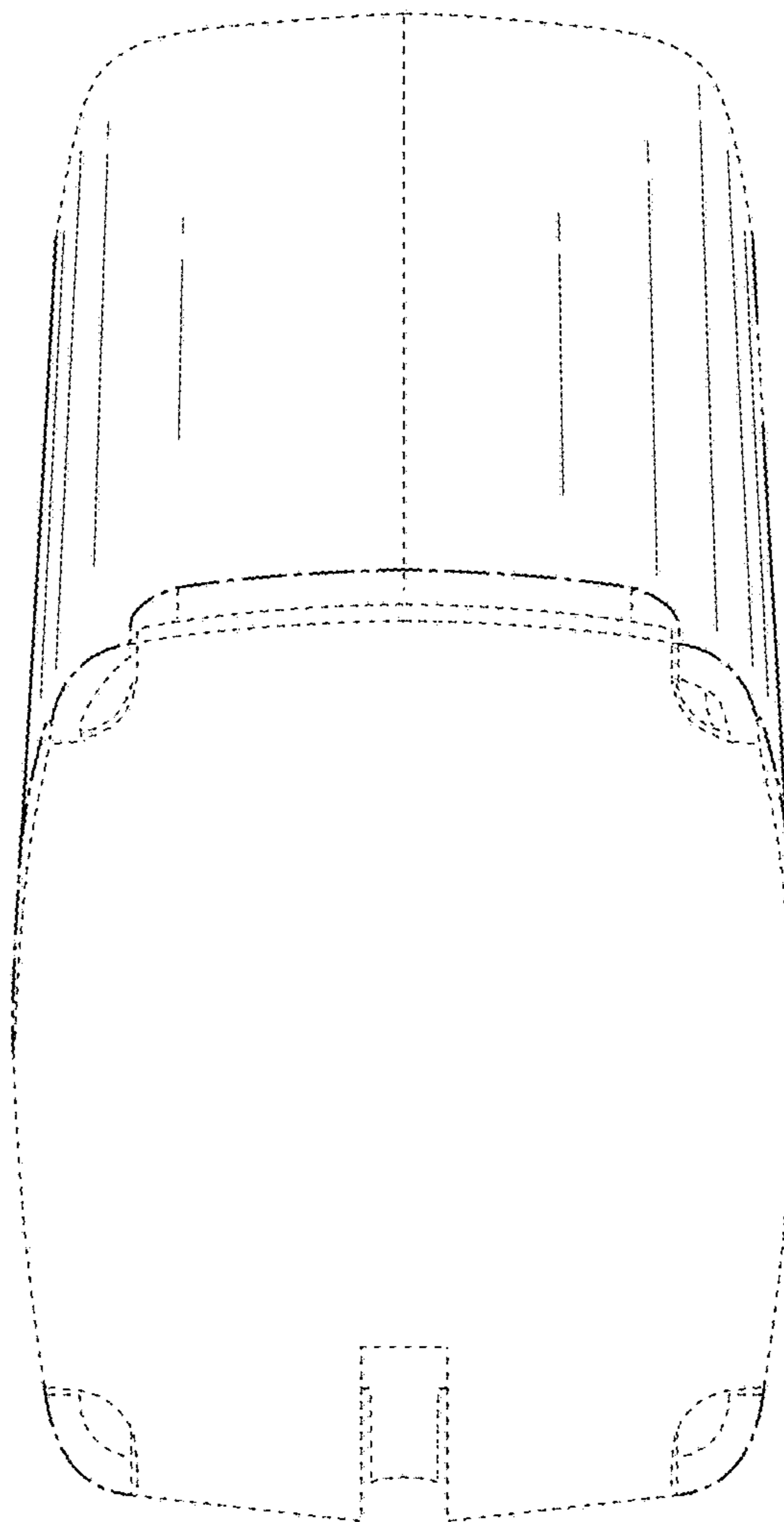


FIG. 7

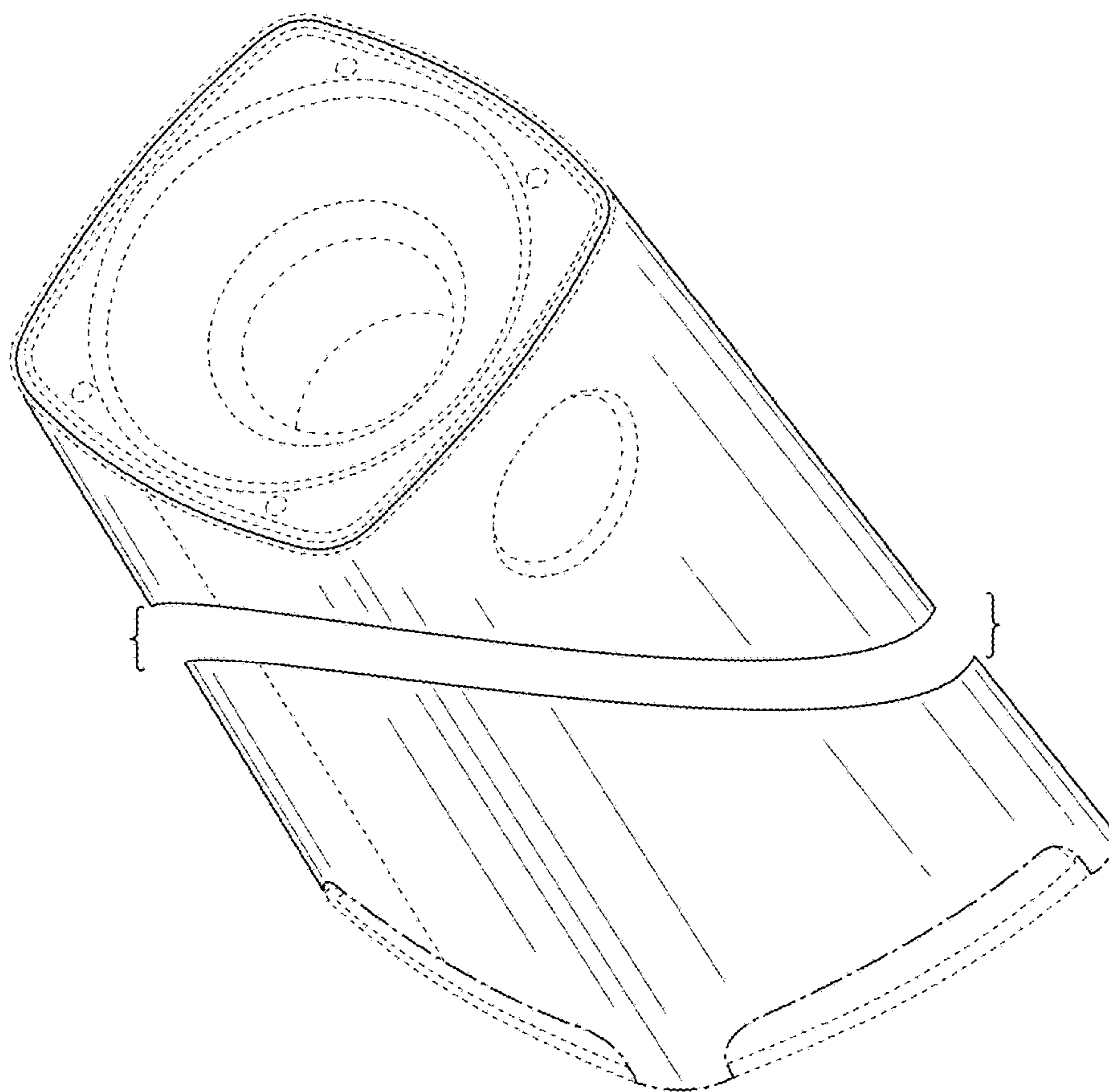


FIG. 8

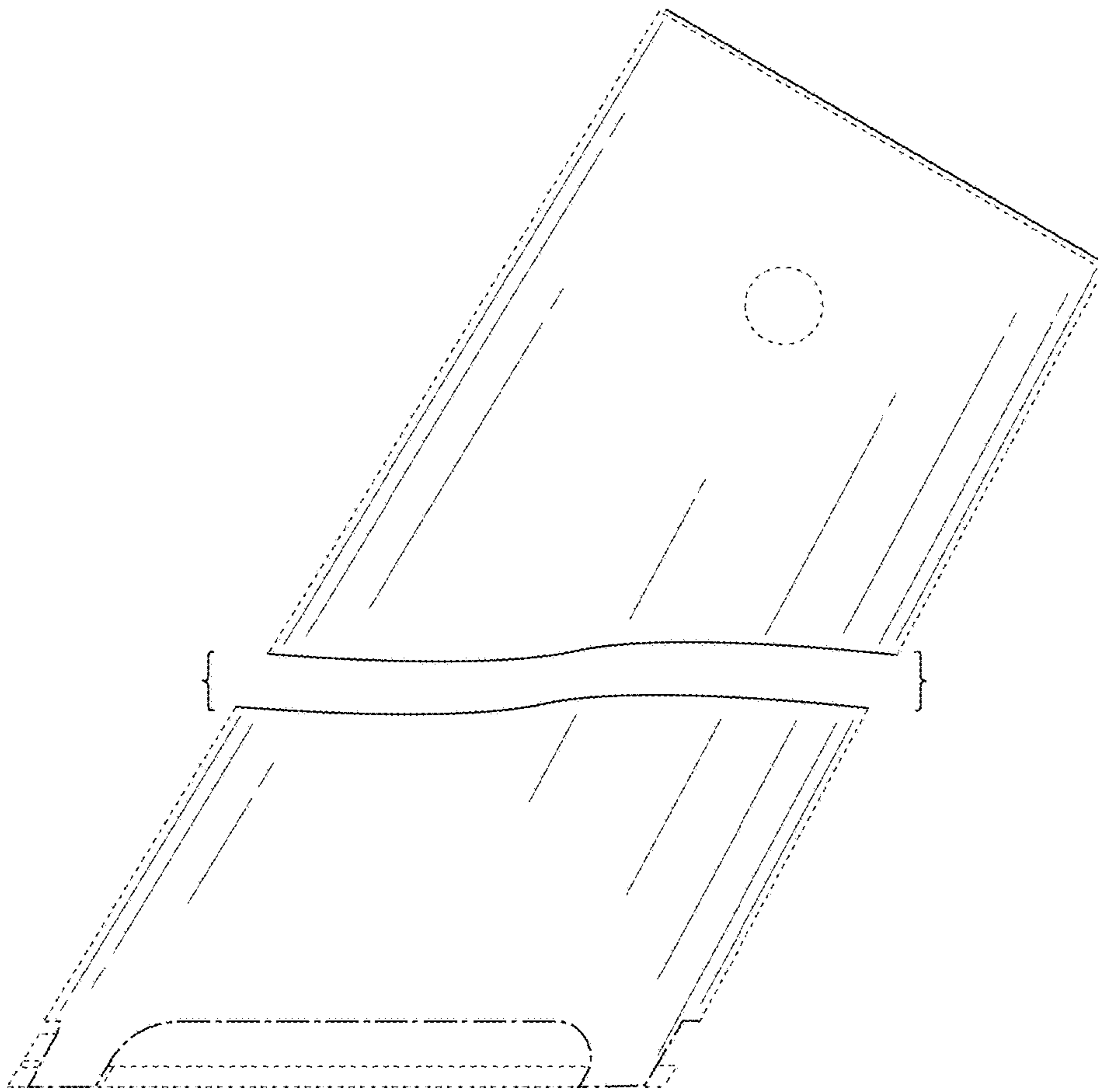


FIG. 9

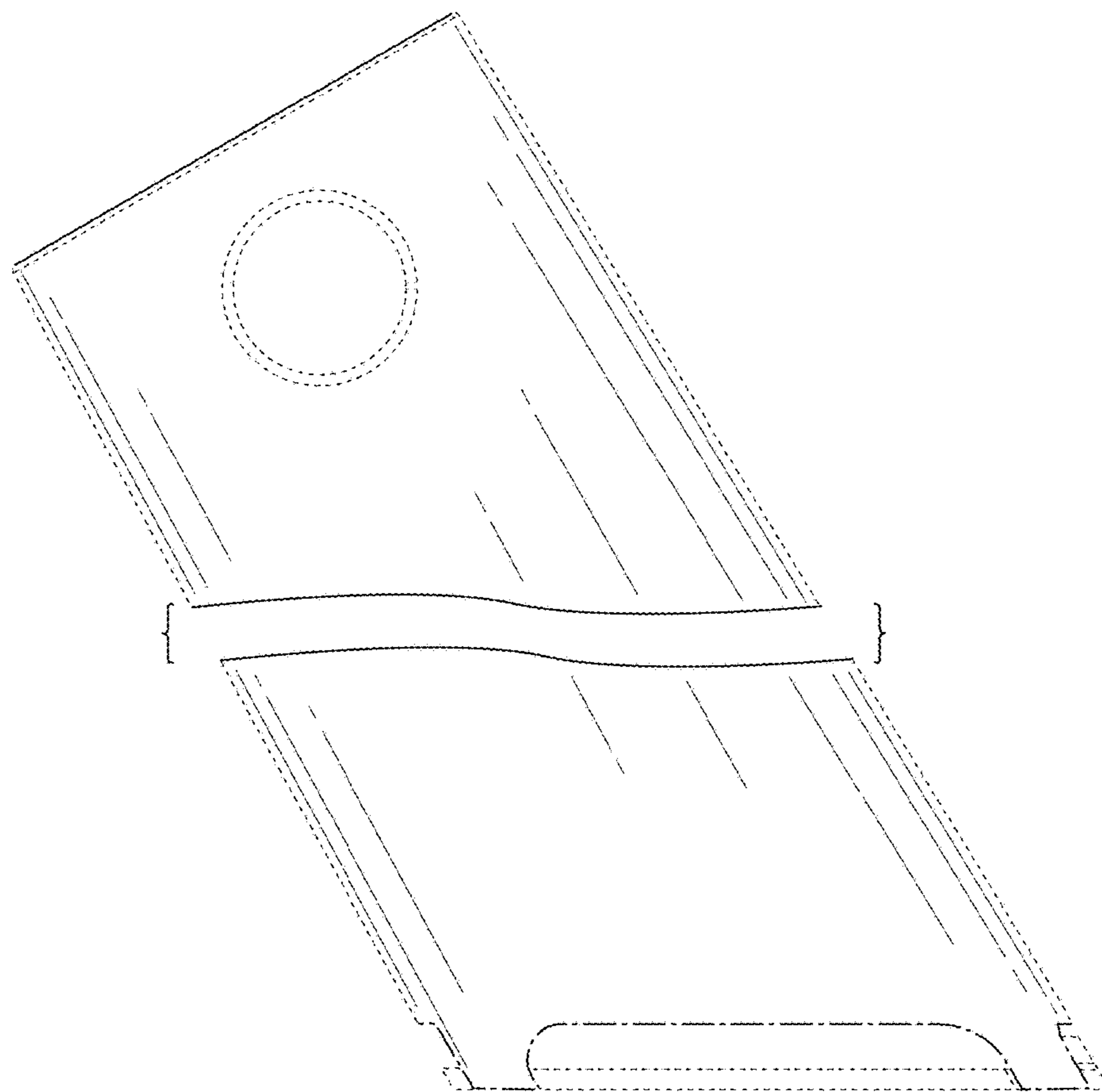


FIG. 10

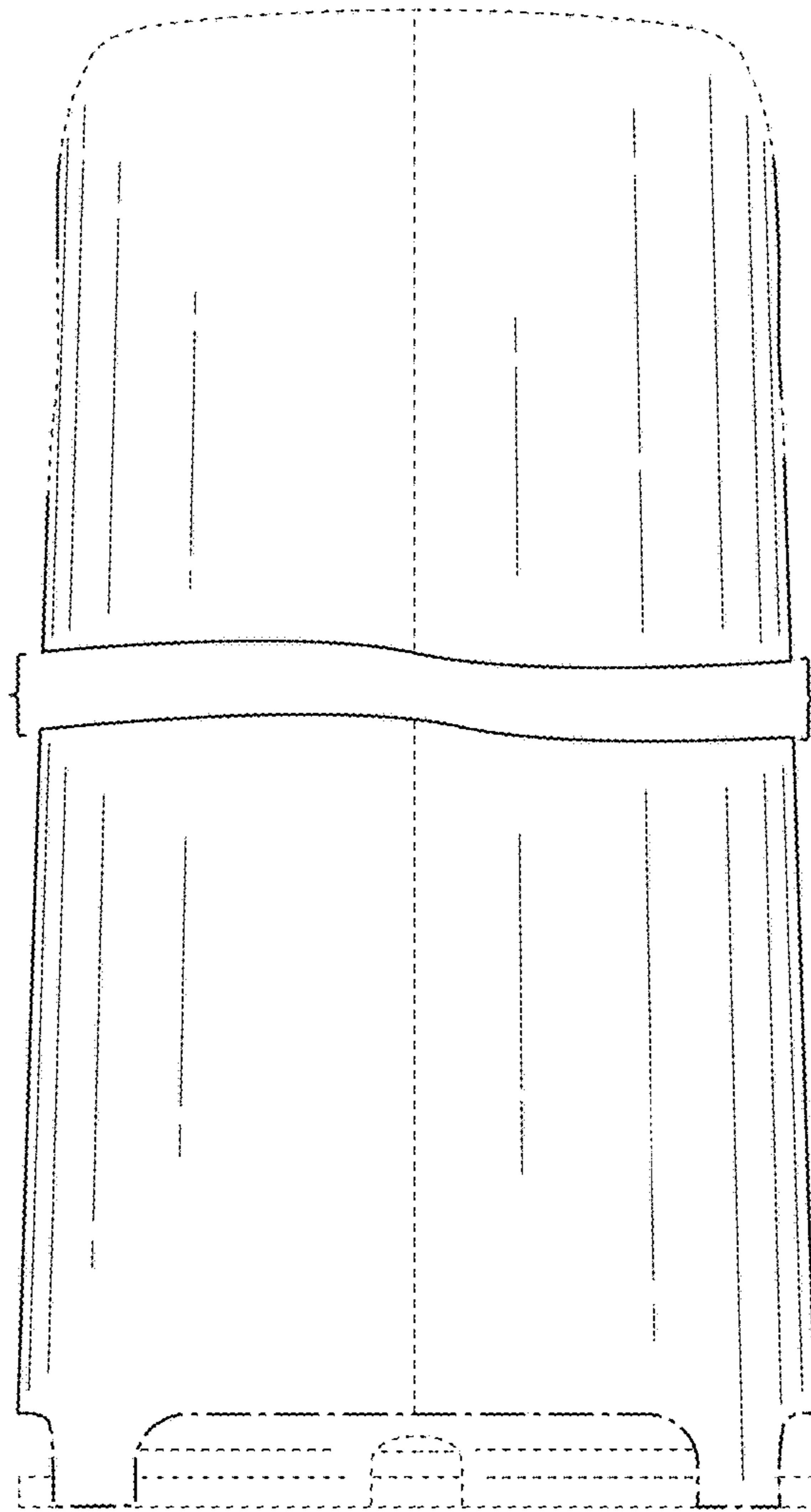


FIG. 11

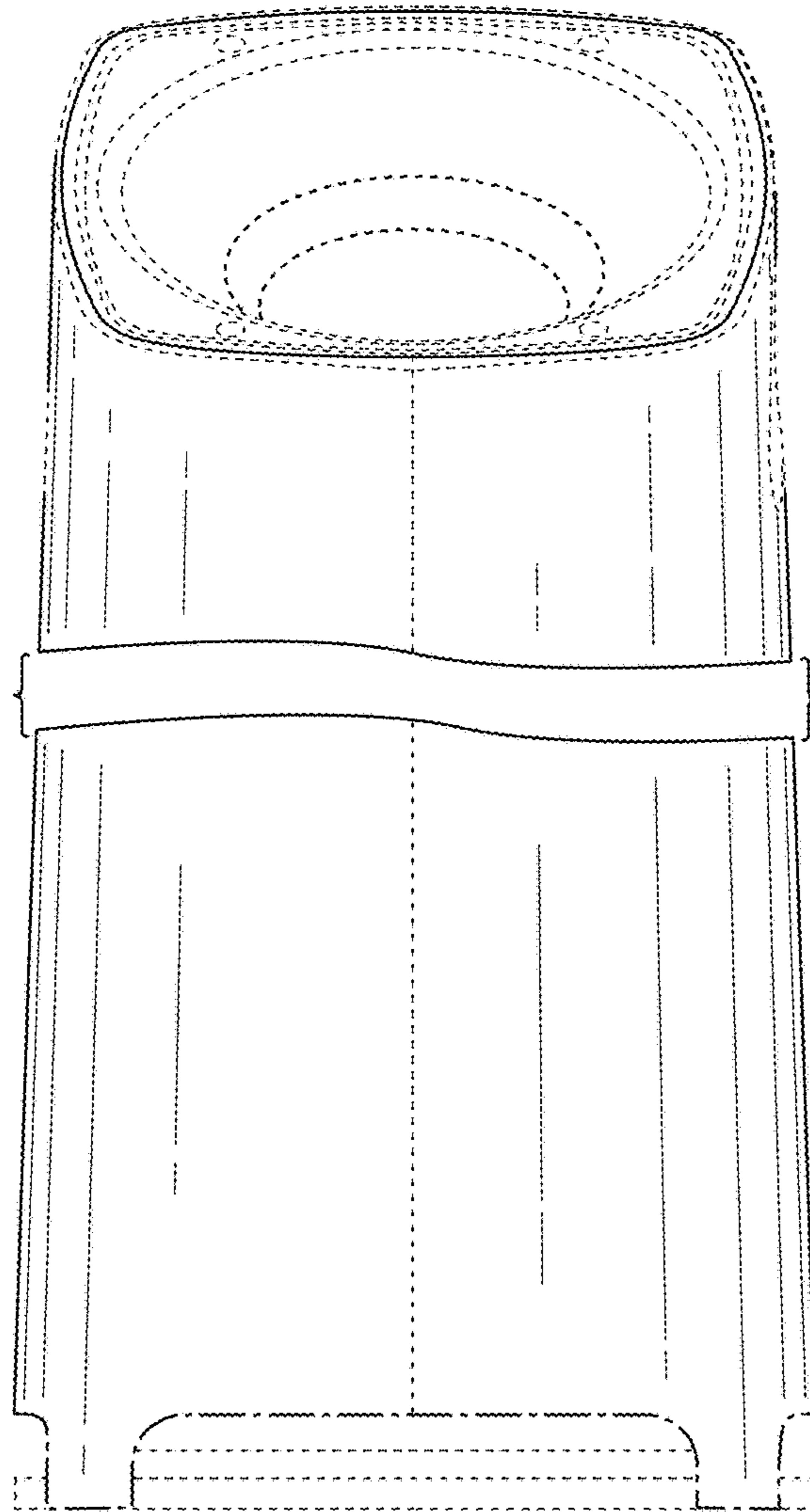


FIG. 12

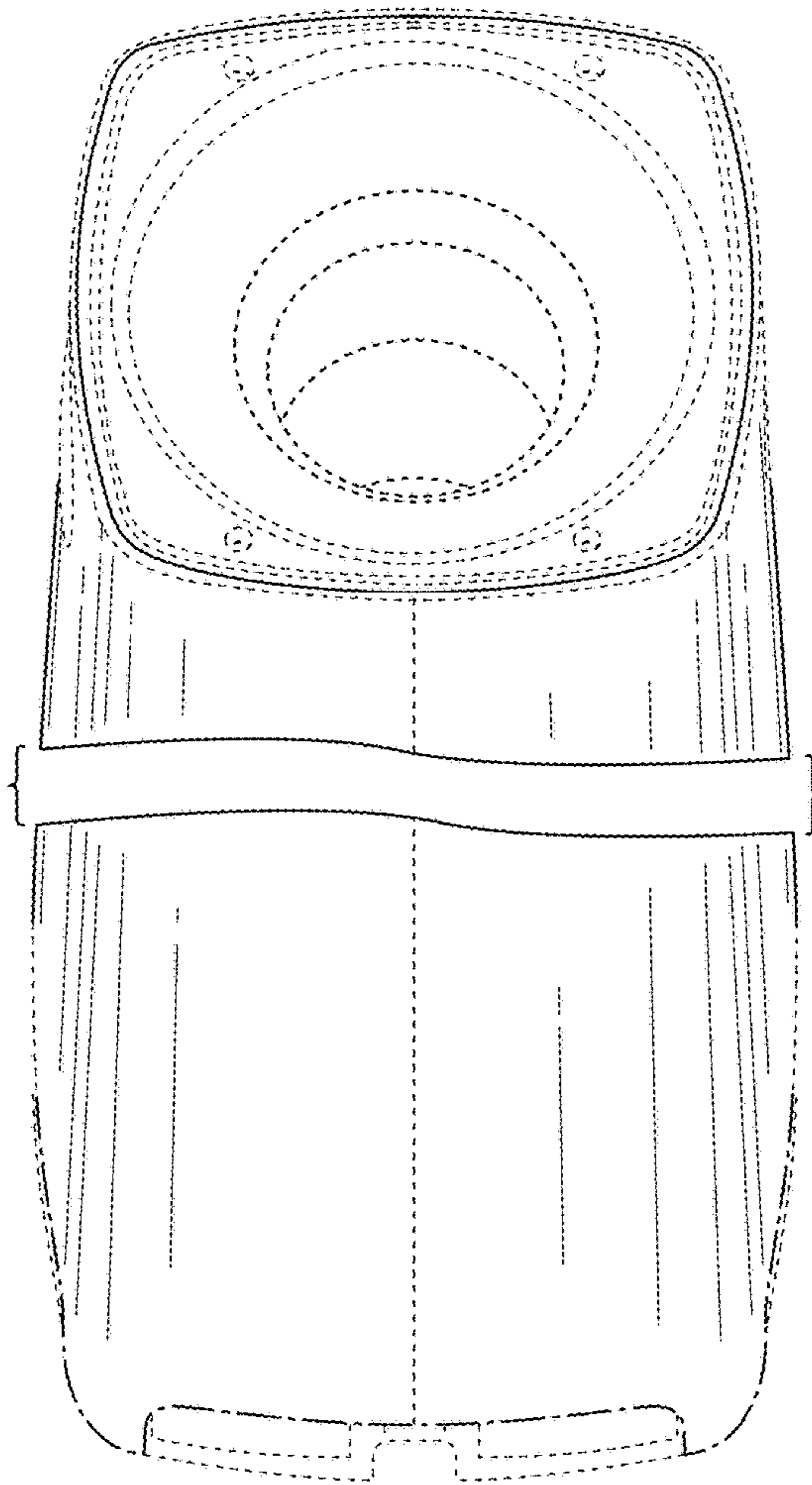


FIG. 13

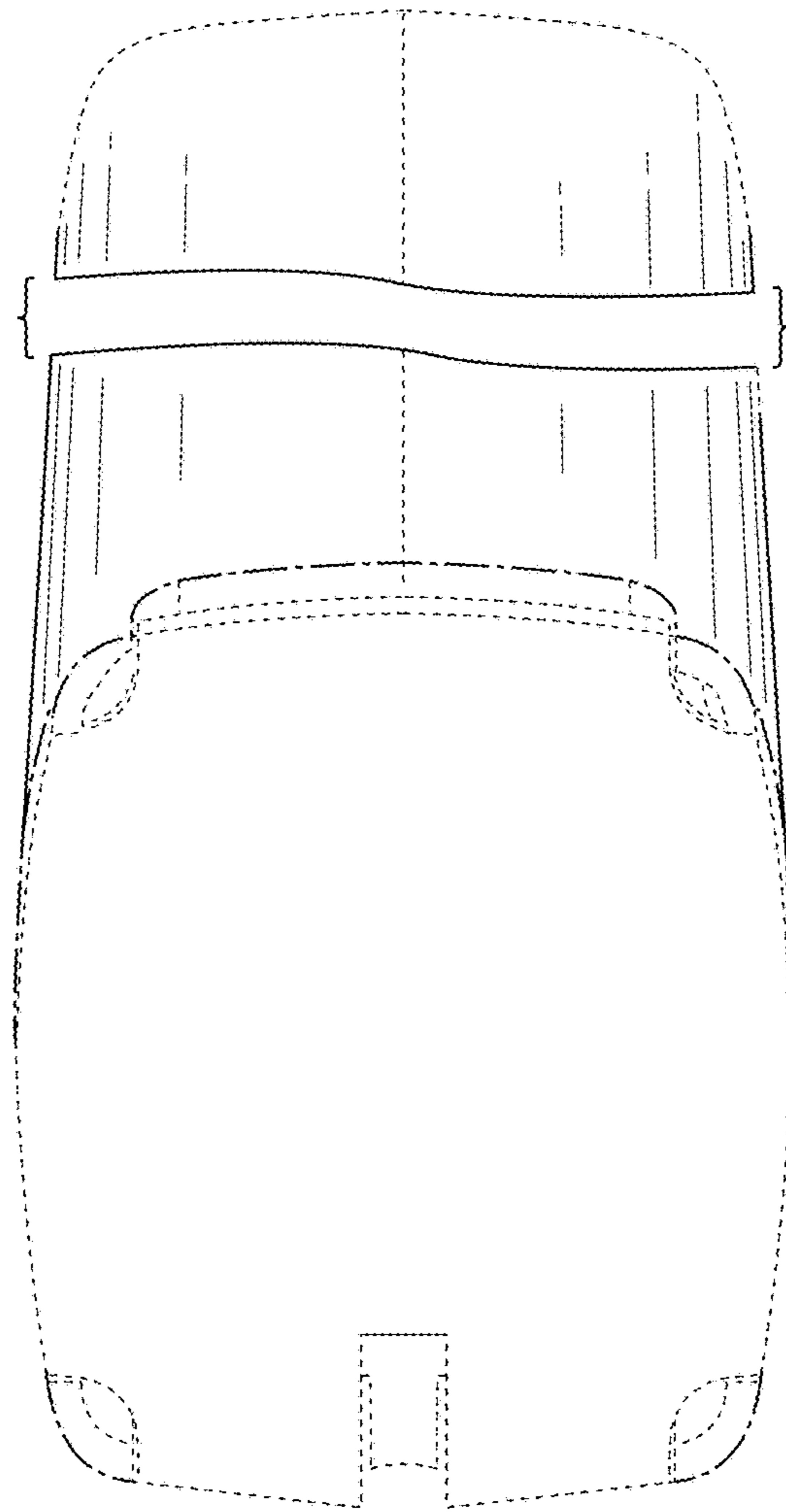


FIG. 14