



US00D798635S

(12) **United States Design Patent**
Aguilera et al.

(10) **Patent No.:** **US D798,635 S**
(45) **Date of Patent:** **** Oct. 3, 2017**

- (54) **UPRIGHT MERCHANDISE DISPLAY RACK**
- (71) Applicant: **Beeline Group, LLC**, Hayward, CA (US)
- (72) Inventors: **Jose Aguilera**, Brookfield, IL (US); **Miguel Anaya, Jr.**, Pleasanton, CA (US); **Adam Darvell**, San Ramon, CA (US)
- (73) Assignee: **Beeline Group, LLC**, Hayward, CA (US)

4,776,472	A *	10/1988	Rosen	A47F 5/103
					108/102
4,978,013	A *	12/1990	Hogg	A47F 5/13
					211/132.1
D317,094	S *	5/1991	Weinberg	D6/675.2
D369,037	S *	4/1996	Wyatt	D6/675.2
D500,419	S *	1/2005	Sparkowski	D6/675.2
D560,402	S *	1/2008	Lev	D6/675.1
D580,193	S *	11/2008	Sparkowski	D6/678.4
D591,531	S *	5/2009	Sparkowski	D6/702
D598,220	S *	8/2009	Sparkowski	D6/675.2
D660,052	S *	5/2012	Flores	D6/675.2
D699,986	S *	2/2014	Tsai	D6/675.4
9,004,300	B1 *	4/2015	Morrell	A47F 5/137
					108/107
D747,901	S *	1/2016	Kanagy	D6/673
D752,372	S *	3/2016	Huff	D6/678.4
D784,052	S *	4/2017	Rodriguez	D6/675.2
D784,054	S *	4/2017	Arzaluz	D6/675.2

(**) Term: **15 Years**

(21) Appl. No.: **29/573,104**

(22) Filed: **Aug. 2, 2016**

(51) **LOC (10) Cl.** **06-06**

(52) **U.S. Cl.**
USPC **D6/675.2**

(58) **Field of Classification Search**
 USPC D6/315, 317, 319, 329, 673, 675, 675.1, D6/675.2, 675.3, 675.4, 678.4, 680.2, D6/680.3, 702
 CPC A47B 47/00; A47B 47/02; A47B 55/02; A47B 73/00; A47B 73/002; A47F 5/00; A47F 5/0018; A47F 5/0025; A47F 5/0056; A47F 5/01
 See application file for complete search history.

(56) **References Cited**

U.S. PATENT DOCUMENTS

D109,531	S *	5/1938	Lea	D6/673
D162,990	S *	4/1951	Roeder	211/128.1
2,913,128	A *	11/1959	Milner	A47B 55/02
					108/181
D191,249	S *	8/1961	Gardner et al.	211/128.1
D203,366	S *	12/1965	Federman	D6/675.2
D282,797	S *	3/1986	Dixon	D6/675.2

Primary Examiner — Kelley Donnelly
(74) *Attorney, Agent, or Firm* — Schwabe, Williamson & Wyatt P.C.

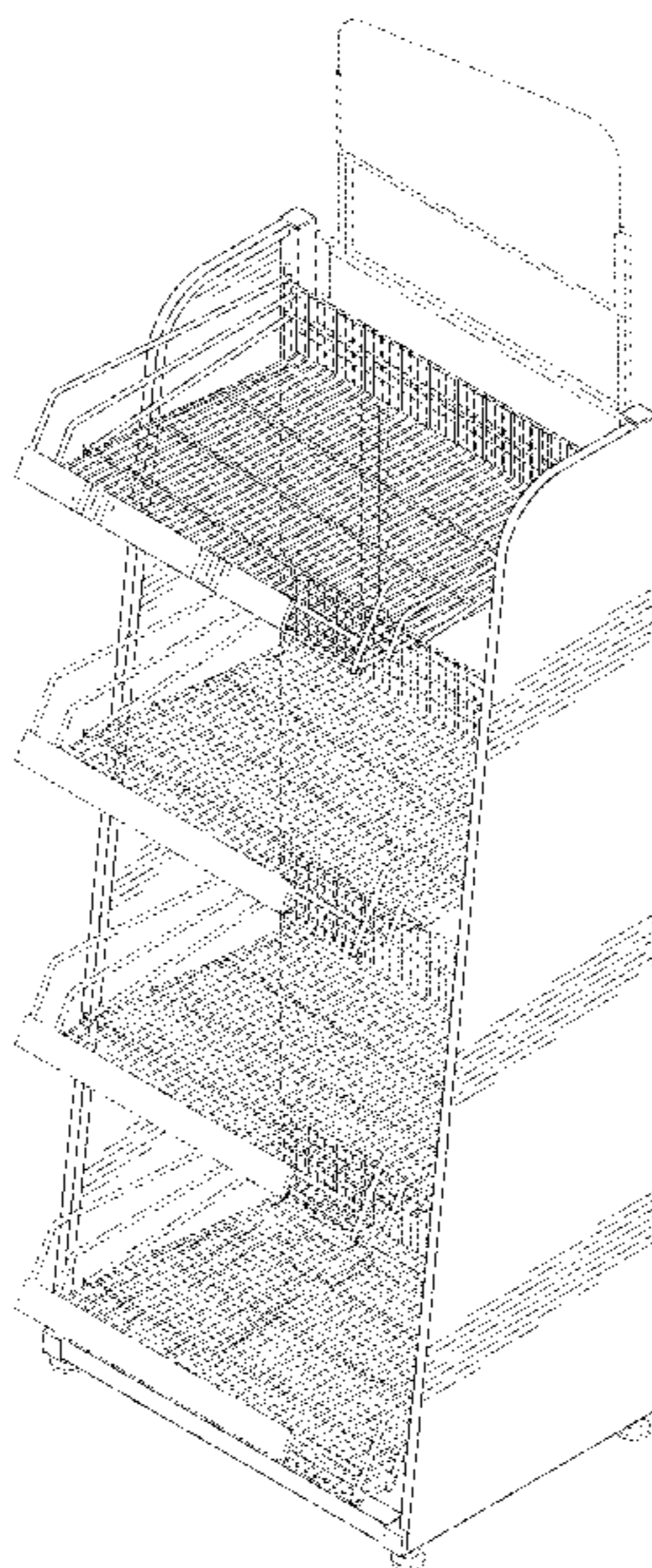
(57) **CLAIM**

We claim the ornamental design for an upright merchandise display rack, as shown and described.

DESCRIPTION

FIG. 1 is a top front perspective view of a merchandise display rack according to an embodiment of the present invention;
 FIG. 2 is a top back perspective view thereof;
 FIG. 3 is a front elevational view thereof;
 FIG. 4 is a back elevational view thereof;
 FIG. 5 is a left elevational view thereof;
 FIG. 6 is a right elevational view thereof, and,
 FIG. 7 is a top plan view thereof.
 The broken lines are for illustrative purposes only and form no part of the claimed design.

1 Claim, 5 Drawing Sheets



(56)

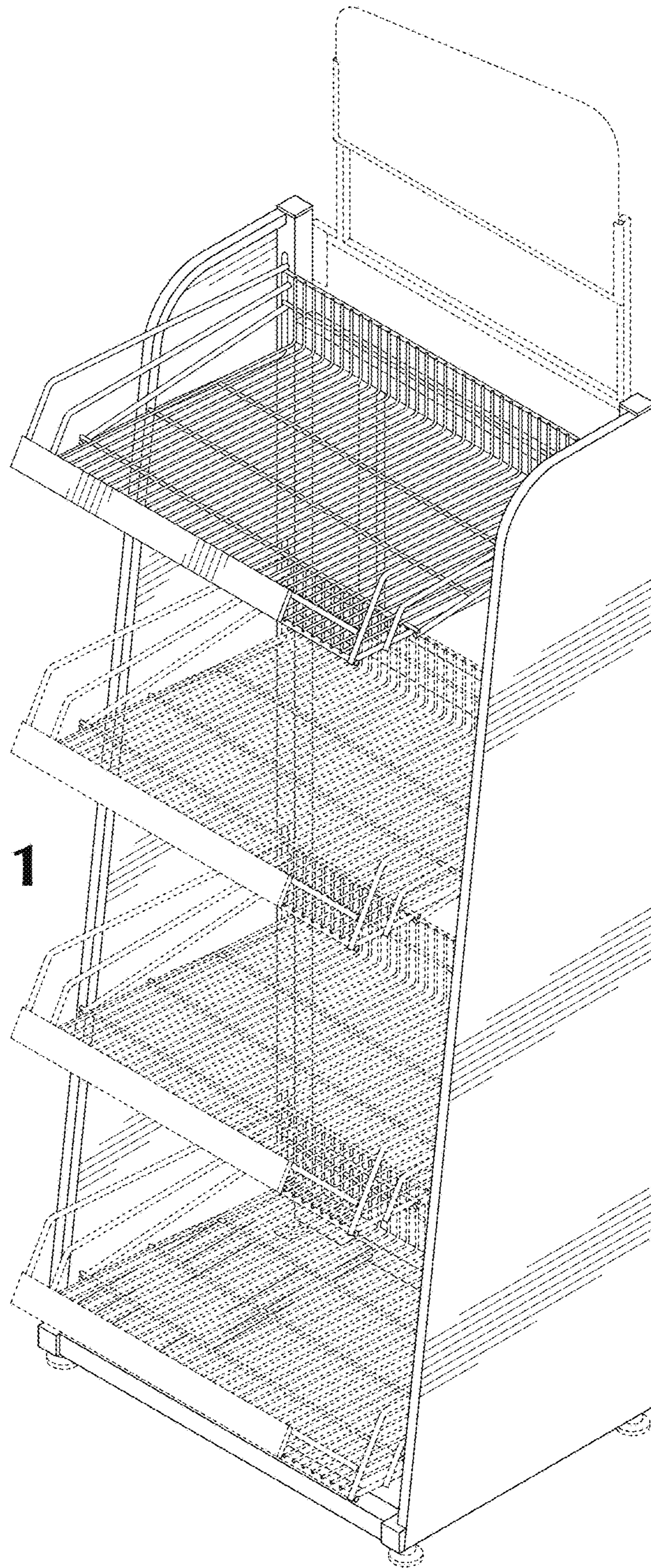
References Cited

U.S. PATENT DOCUMENTS

D787,241 S * 5/2017 Arzaluz D6/675.2
2014/0230295 A1 * 8/2014 Hawkins A47F 5/0025
40/606.03

* cited by examiner

FIG. 1



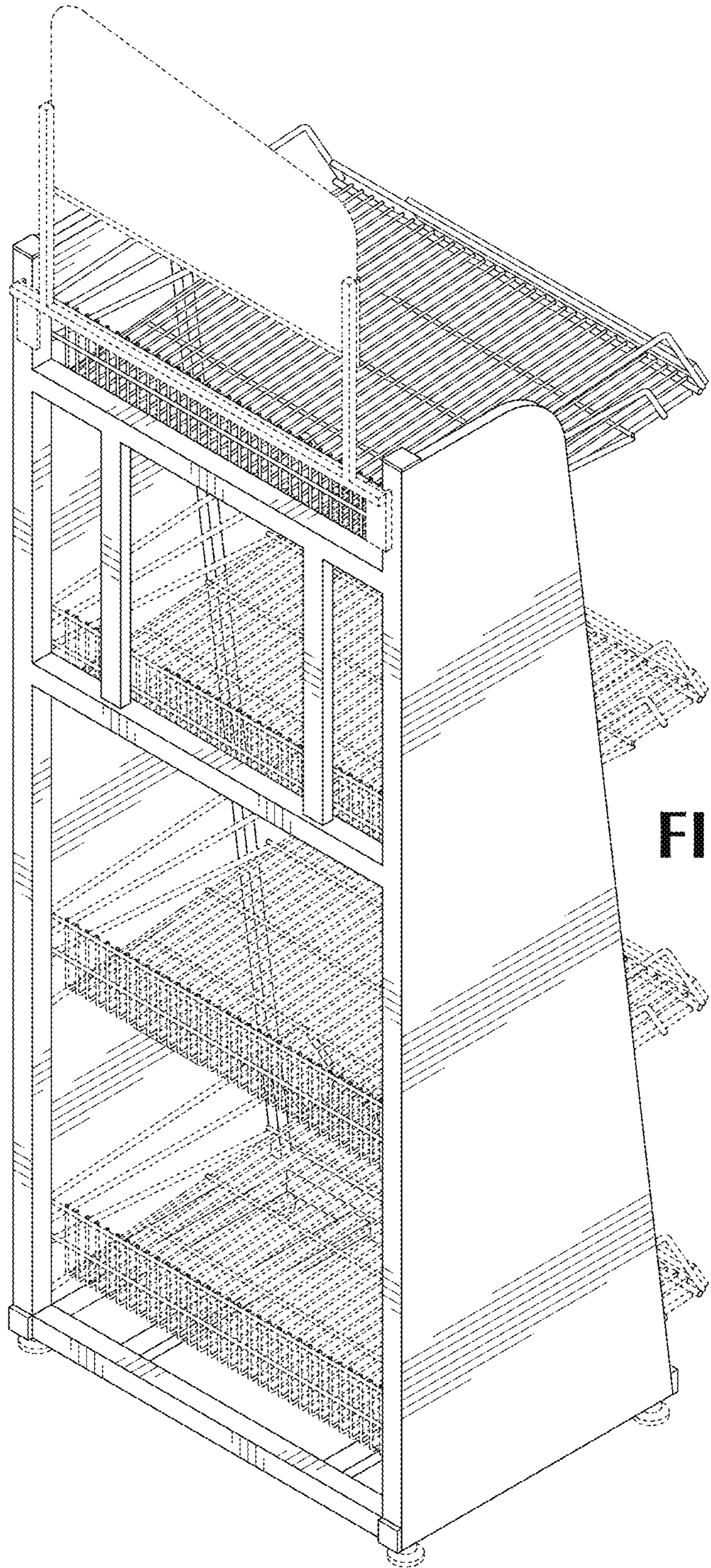


FIG. 2

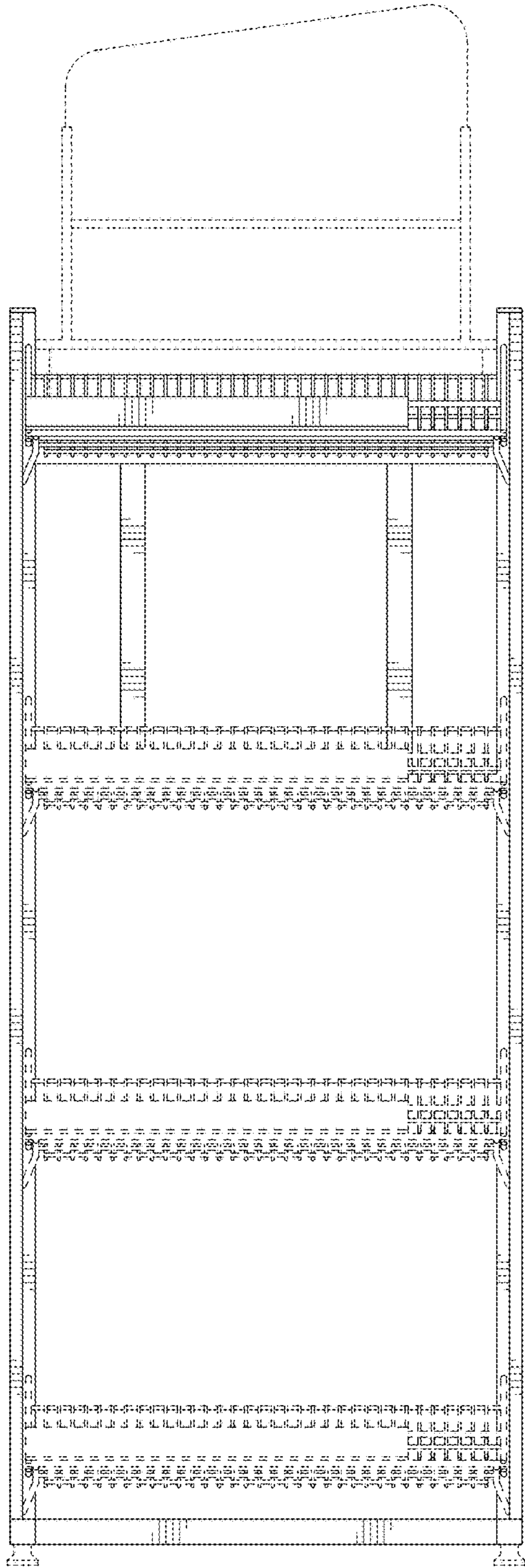


FIG. 3

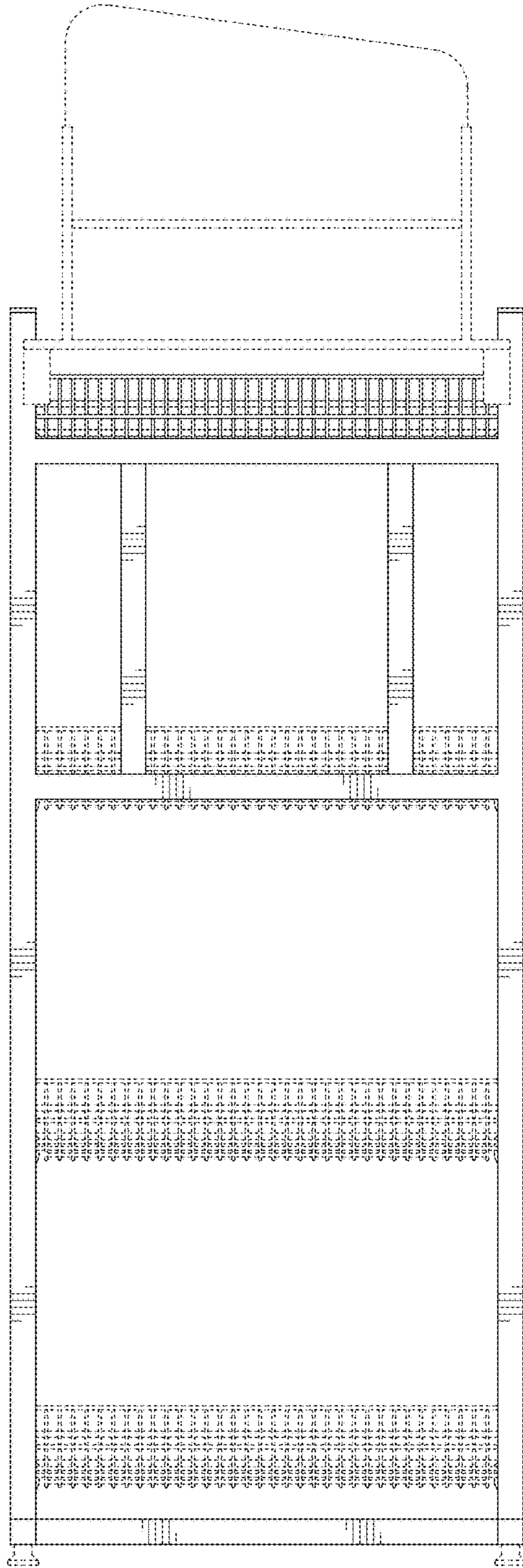


FIG. 4

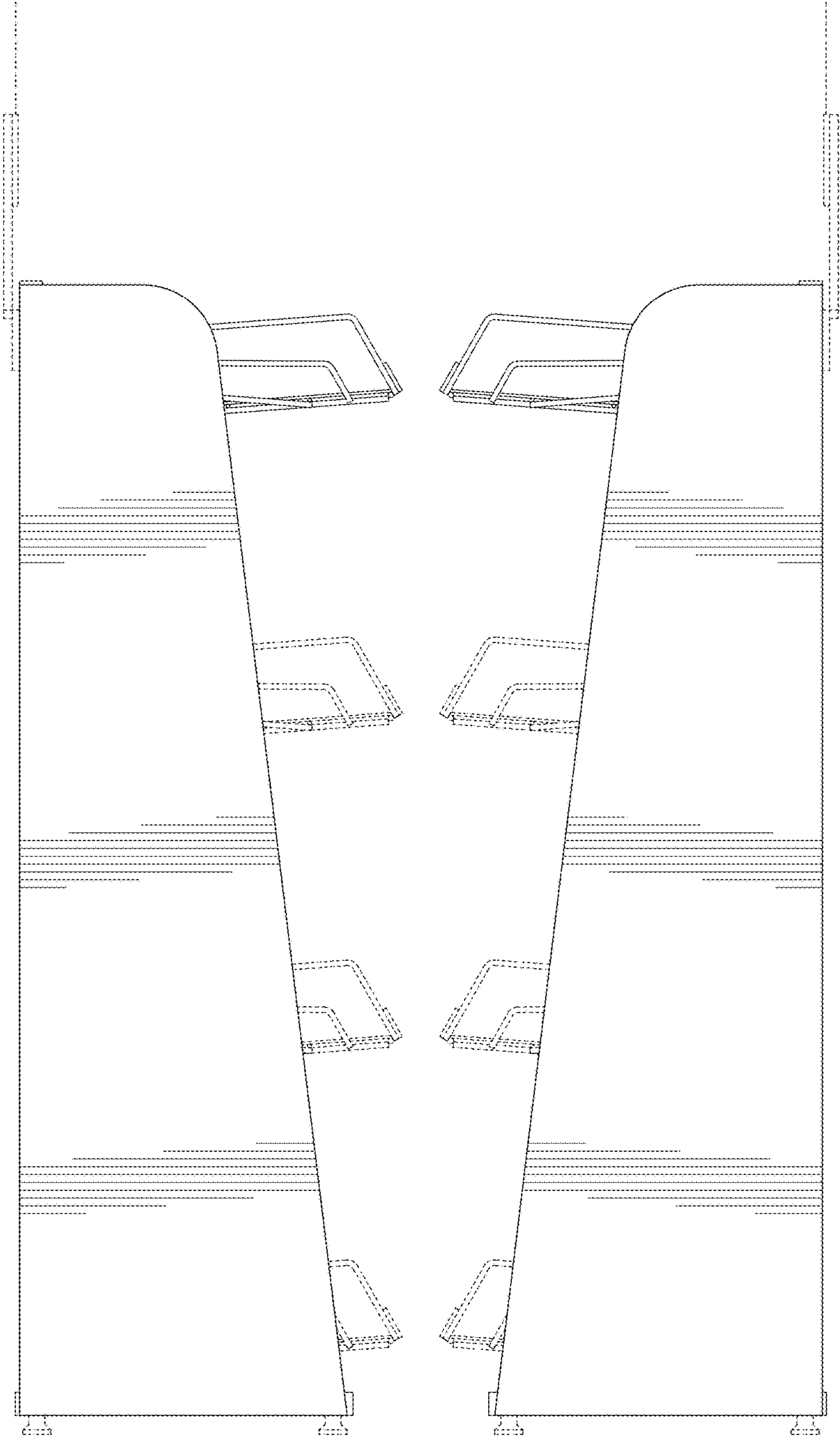


FIG. 5

FIG. 6

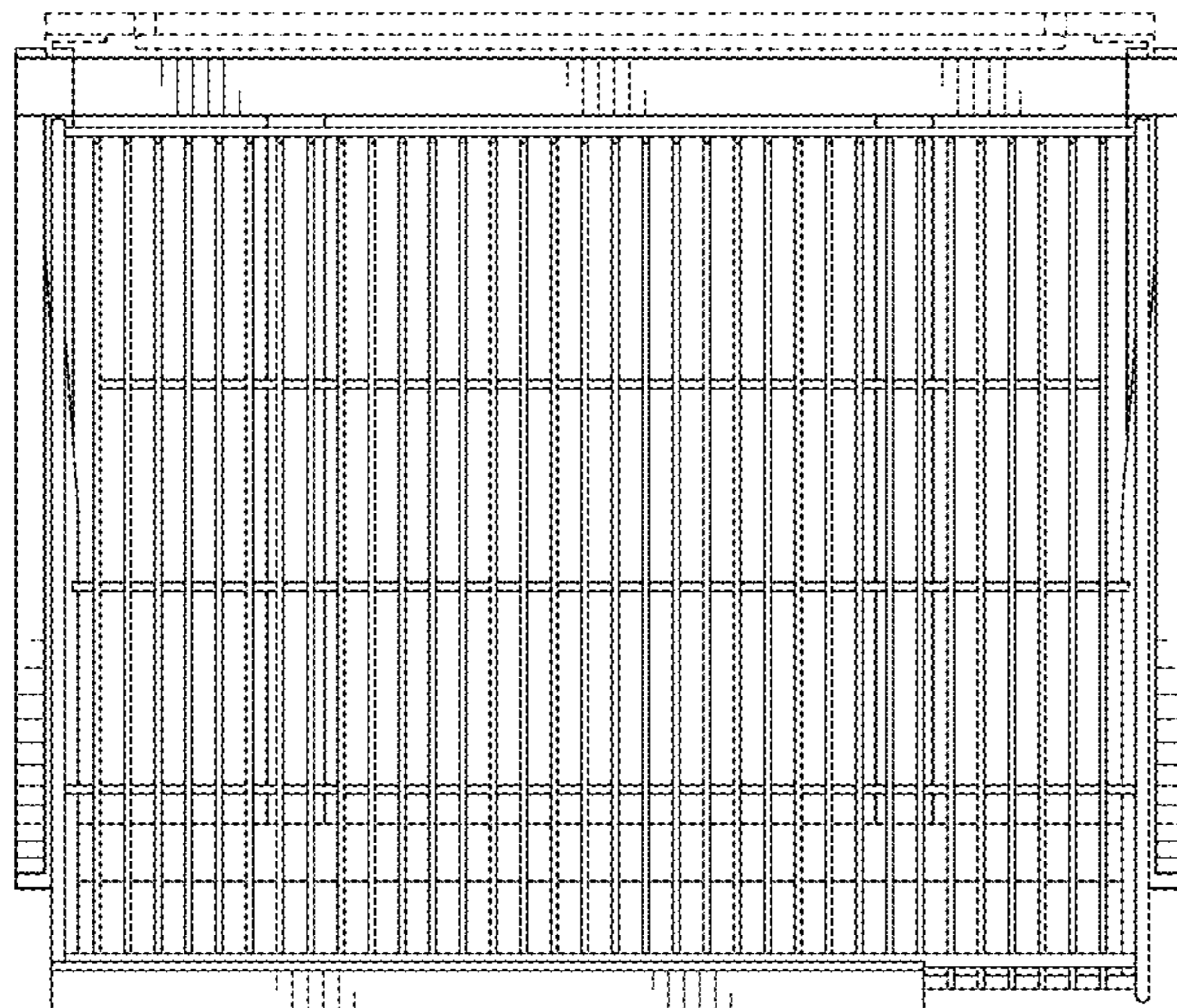


FIG. 7