

US00D798633S

(12) **United States Design Patent** (10) **Patent No.:** **US D798,633 S**
Zanki et al. (45) **Date of Patent:** **** Oct. 3, 2017**

(54) **SUPPORT APPARATUS**
(71) Applicants: **Logan Zanki**, North Plainfield, NJ (US); **Kathleen Zanki**, North Plainfield, NJ (US)

3,988,793 A 11/1976 Abitbol
4,021,872 A 5/1977 Powell
4,051,566 A 10/1977 Esquivel
4,054,960 A 10/1977 Pettit et al.
D263,190 S * 3/1982 Herr 5/636
4,489,452 A 12/1984 Lickert
(Continued)

(72) Inventors: **Logan Zanki**, North Plainfield, NJ (US); **Kathleen Zanki**, North Plainfield, NJ (US)

FOREIGN PATENT DOCUMENTS

(**) **Term:** **15 Years**

GB 2425468 11/2006
GB 2439916 1/2008
GB 2471467 1/2011

(21) Appl. No.: **29/539,413**

OTHER PUBLICATIONS

(22) Filed: **Sep. 14, 2015**

<http://www.thebellybed.com.au>. Accessed on Aug. 14, 2015.

(51) **LOC (10) Cl.** **06-09**

(Continued)

(52) **U.S. Cl.**
USPC **D6/601**

(58) **Field of Classification Search**
USPC D6/333, 349, 355, 375, 388, 512, 563, D6/564, 595, 596, 601, 604, 611, 707, D6/715, 716, 716.1; D24/183-185, 234; D21/803, 804, 805, 809; 5/401, 420, 5/600, 630, 631, 632, 633, 635, 636, 638, 5/639, 646, 652, 652.1, 655, 703, 730; 297/1, 2, 4, 93, 180.11, 195.1, 195.11, 297/195.13, 393, 397, 452.12, 452.14, 297/452.15, 452.21, 452.24, 452.26, 297/452.48, 452.62, 482
CPC .. A47G 9/1036; A47G 9/1045; A47G 9/1063; A47G 9/1072; A47G 9/1081; A47G 9/109; A47C 7/021; A47C 27/00
See application file for complete search history.

Primary Examiner — Eric Goodman
Assistant Examiner — Sanjeev Paul
(74) *Attorney, Agent, or Firm* — Gearhart Law LLC

(57) **CLAIM**

The ornamental design for a support apparatus, as shown and described.

DESCRIPTION

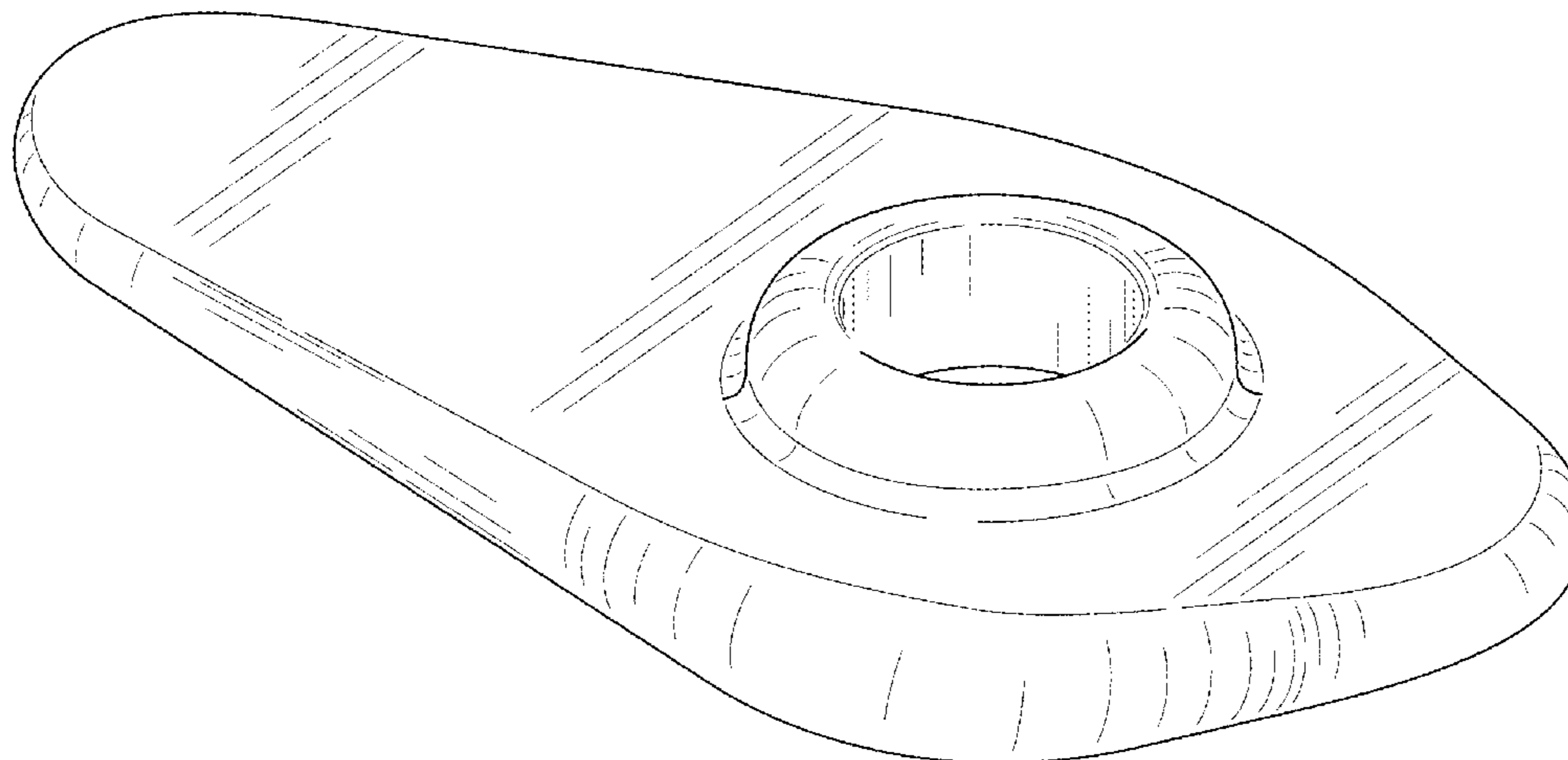
FIG. 1 is a perspective view of the support apparatus. FIG. 2 is a front view of the support apparatus as shown FIG. 1.
FIG. 3 is a back view of FIG. 1.
FIG. 4 is a left side view of FIG. 1.
FIG. 5 is a right side view of FIG. 1.
FIG. 6 is a top view of FIG. 1.
FIG. 7 is a bottom view of FIG. 1; and,
FIG. 8 is a side view of the support apparatus, as shown in FIG. 1, in one intended use by a human user.
The broken lines shown in the drawings are included for the purpose of illustrating environmental subject matter and forms no part of the claimed design.

(56) **References Cited**

U.S. PATENT DOCUMENTS

2,089,584 A 8/1937 Pellegrini
2,089,854 A * 8/1937 Pellegrini A47C 20/025
5/110
3,118,152 A 1/1964 Talley, Jr.
3,287,747 A 11/1966 Ellsorth
3,378,862 A 4/1968 Skinner

1 Claim, 6 Drawing Sheets



(56)

References Cited

U.S. PATENT DOCUMENTS

4,508,384 A 4/1985 Castelot et al.
 D285,512 S * 9/1986 Bool D6/596
 4,819,287 A 4/1989 Halverson
 4,944,059 A 7/1990 Wall
 D311,838 S 11/1990 Dillon
 5,029,349 A 7/1991 Hamilton
 5,086,529 A 2/1992 DeGroot
 5,127,119 A 7/1992 Rogers
 5,185,897 A 2/1993 Van Laanen
 D333,938 S 3/1993 Watson et al.
 D334,318 S * 3/1993 Chee D6/601
 D335,999 S 6/1993 Van Driessche
 5,237,712 A 8/1993 Ramsay
 D341,725 S 11/1993 Piper
 D342,409 S * 12/1993 Gambin 5/631
 D343,303 S 1/1994 DiGregorio
 D350,586 S 9/1994 Francis
 5,369,824 A 12/1994 Powell
 5,400,449 A 3/1995 Satto
 D357,538 S 4/1995 Sockwell
 5,412,824 A 5/1995 Emerson et al.
 5,425,147 A 6/1995 Supplee et al.
 5,438,715 A 8/1995 Jackman
 5,504,953 A 4/1996 Singer-Leyton et al.
 5,652,981 A 8/1997 Singer-Leyton et al.
 5,679,040 A 10/1997 Bianchi-Holm
 D392,145 S 3/1998 Thurston
 D396,771 S 8/1998 Iannuzzi
 5,819,348 A 10/1998 Ryan
 D403,194 S 12/1998 Thurston
 5,890,246 A 4/1999 Davis
 D411,933 S 7/1999 Bernstein
 6,044,505 A 4/2000 Friedman
 6,185,768 B1 2/2001 Schlechter

6,233,768 B1 5/2001 Harding
 D445,505 S * 7/2001 Shapiro D24/183
 6,295,668 B1 10/2001 Nation
 6,408,470 B1 6/2002 Powers
 6,581,229 B2 6/2003 Bernstein
 6,823,547 B1 11/2004 Harding et al.
 6,857,145 B1 2/2005 Sikes
 D504,045 S * 4/2005 Rediske D6/601
 7,065,816 B2 6/2006 McGettigan
 7,065,817 B2 6/2006 Shield
 7,127,764 B1 10/2006 Harding et al.
 7,266,852 B2 9/2007 Davis
 D576,408 S * 9/2008 Forshpan D6/333
 D610,853 S * 3/2010 Straub D6/601
 D610,854 S * 3/2010 Siklosi D6/611
 D618,947 S * 7/2010 Kalatsky D6/601
 D642,278 S * 7/2011 Sharps D24/184
 D656,356 S * 3/2012 Cheng D6/601
 D666,046 S * 8/2012 Xiong D6/601
 D670,090 S * 11/2012 Miucci D6/349
 8,303,361 B2 11/2012 Green
 8,656,541 B2 * 2/2014 Muollo A47C 20/021
 5/615
 D700,786 S * 3/2014 Yeung D6/333
 D714,072 S * 9/2014 Nadeau D6/390
 D728,271 S * 5/2015 Cohen D6/601
 2005/0188465 A1 9/2005 Fahey
 2006/0096034 A1 5/2006 Tucci
 2009/0100601 A1 4/2009 Battaglia
 2013/0283526 A1 10/2013 Gagliardi

OTHER PUBLICATIONS

<http://www.holo-lilo.com>. Accessed on Aug. 14, 2015.
<http://www.massagewarehouse.com/products/earthlite-pregnancy-cushion/>. Accessed on Aug. 14, 2015.

* cited by examiner

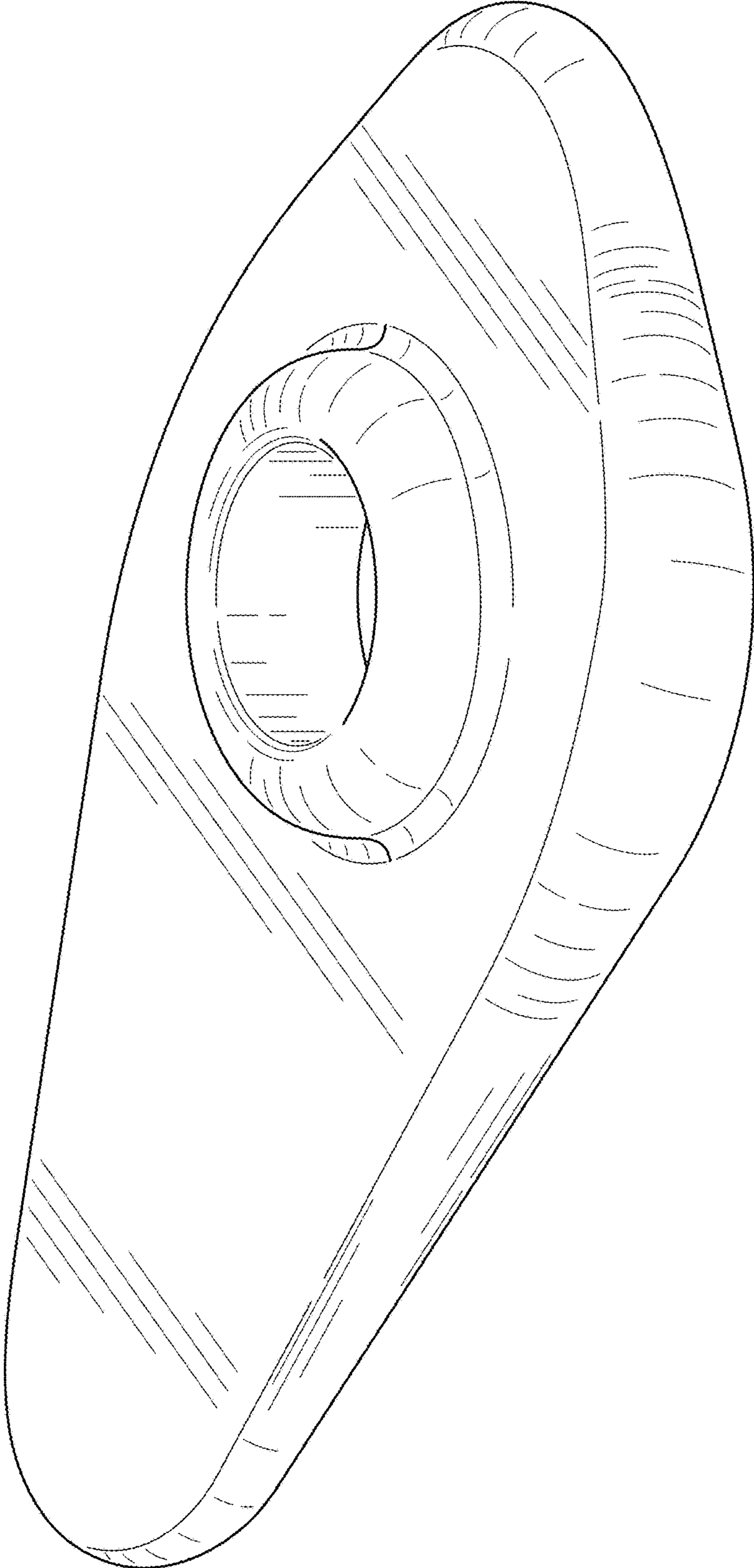


FIG. 1

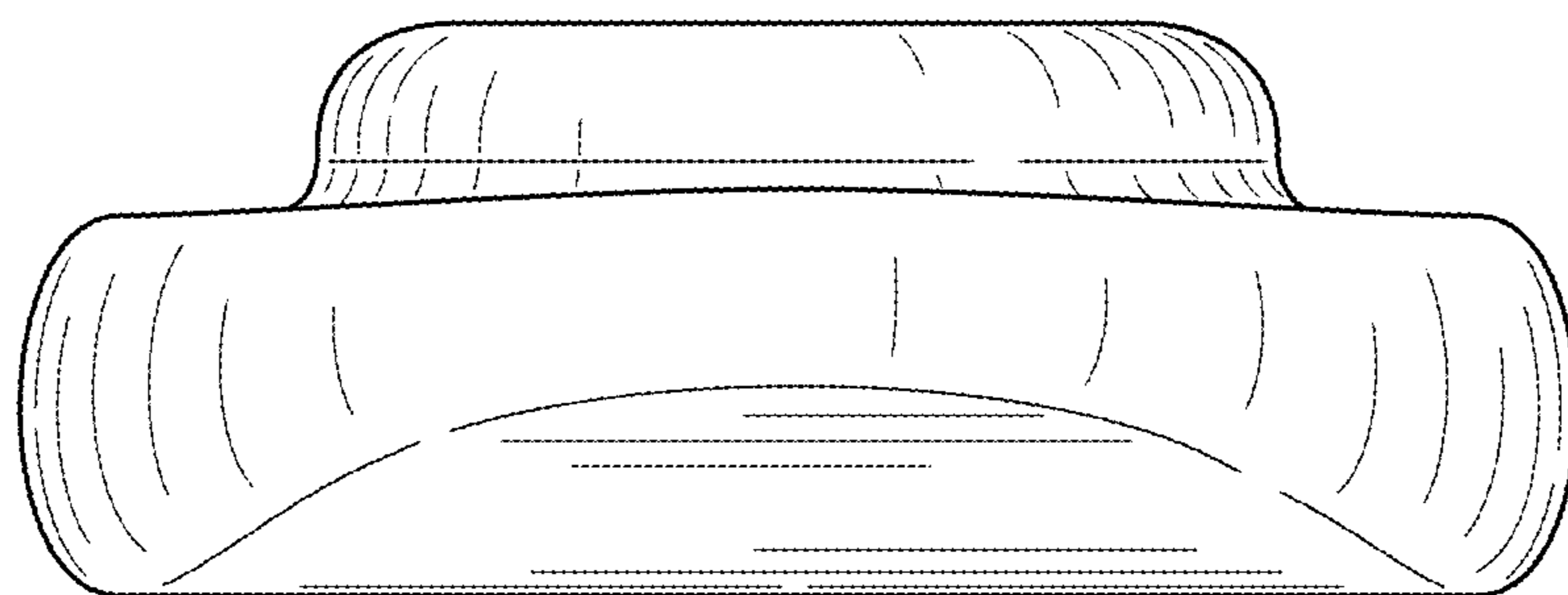


FIG. 2

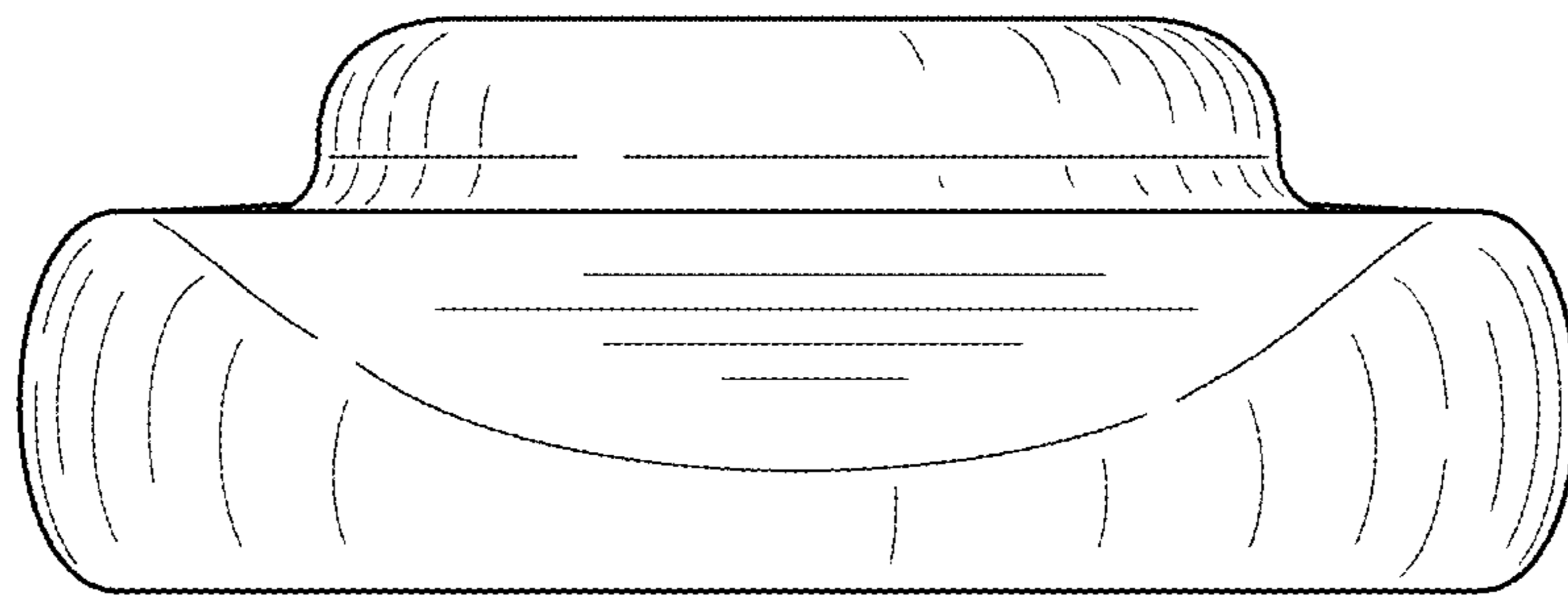


FIG. 3

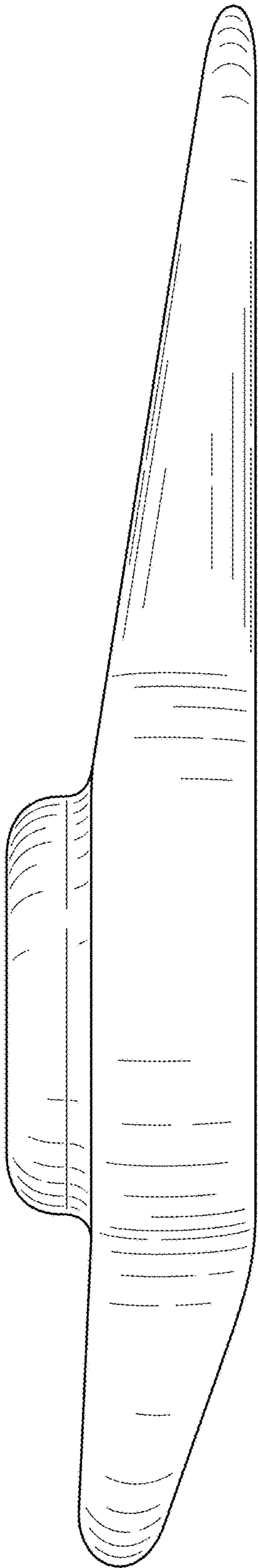


FIG. 4

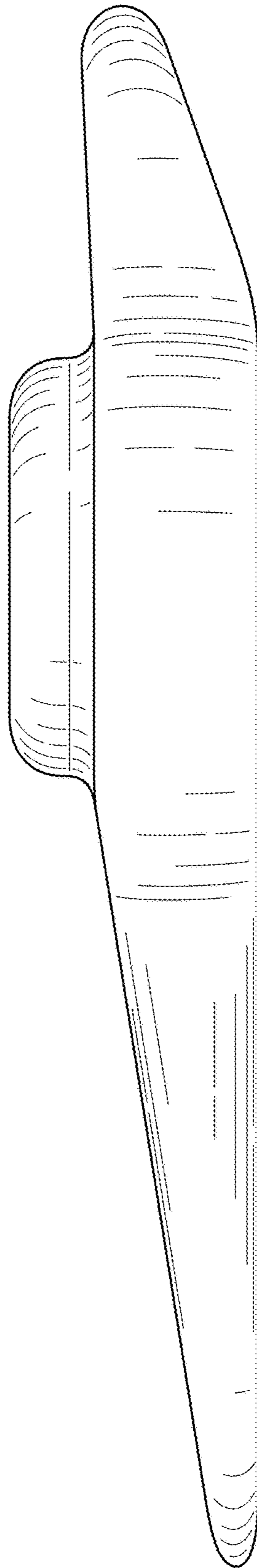


FIG. 5

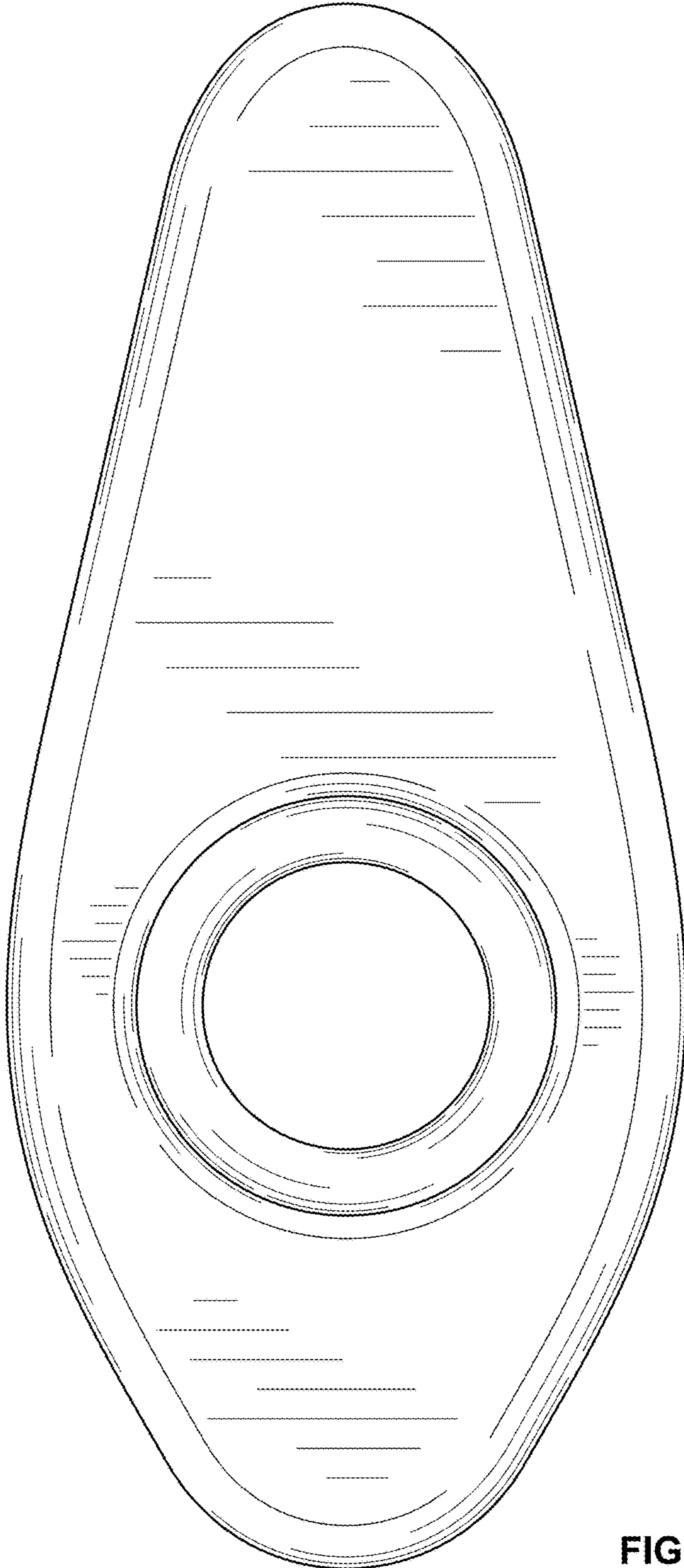


FIG. 6

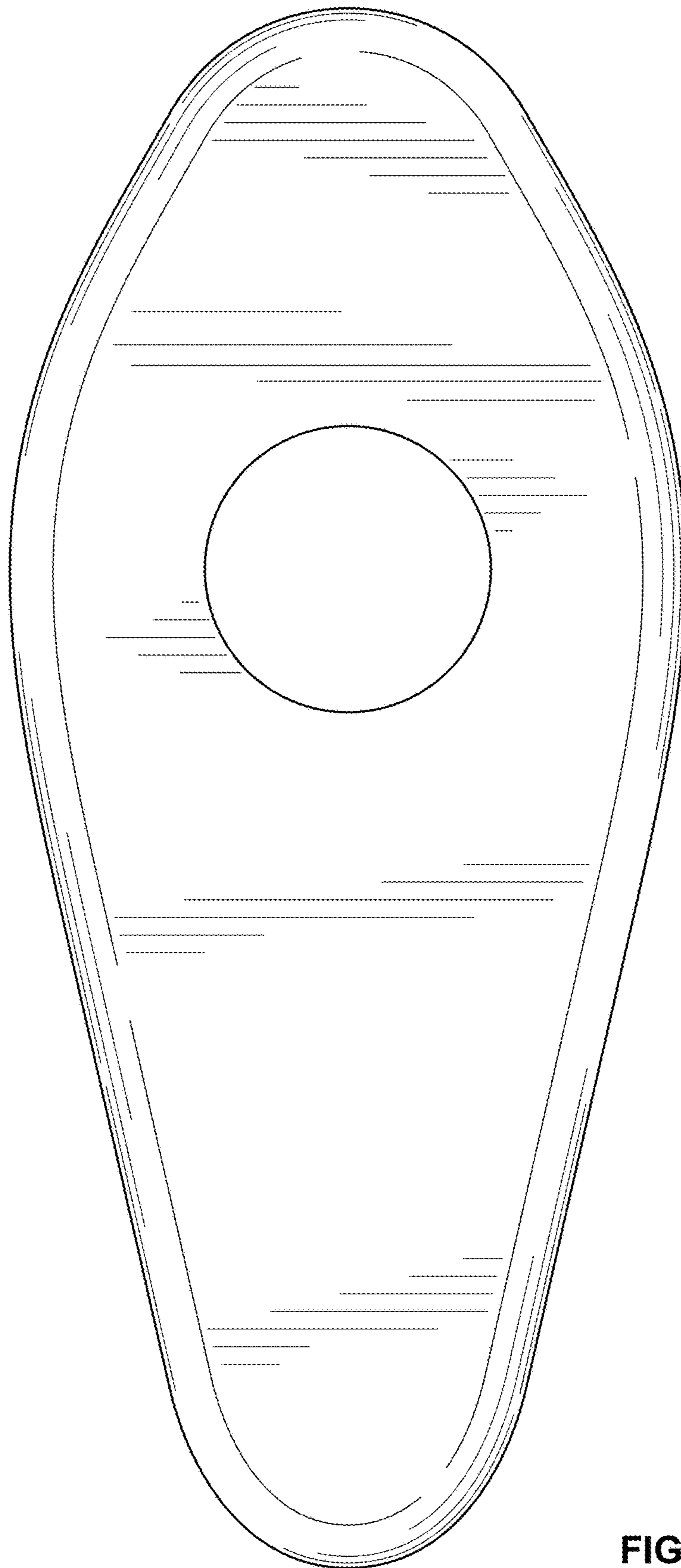


FIG. 7

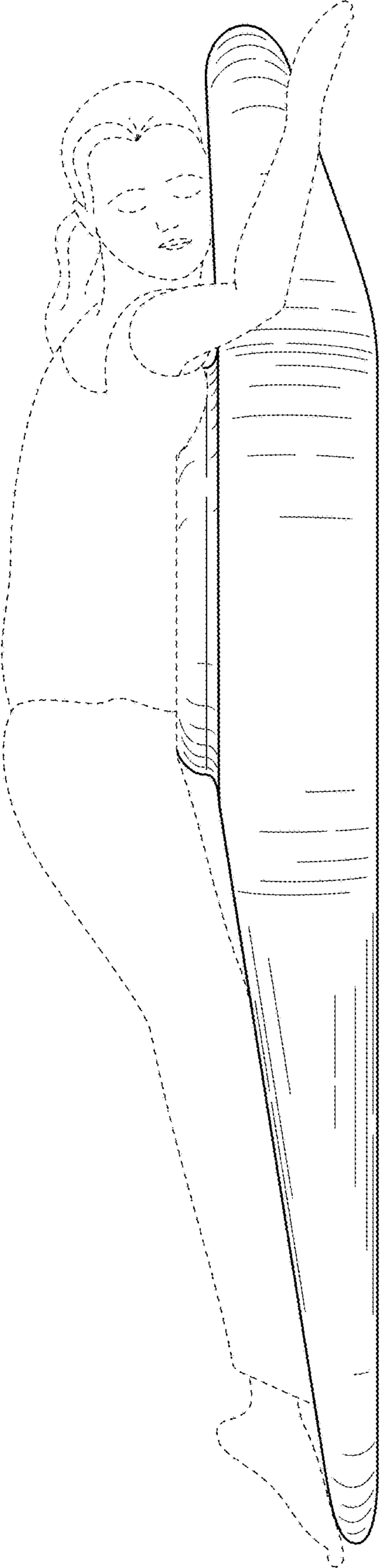


FIG. 8