



US00D798631S

(12) **United States Design Patent** (10) **Patent No.:** **US D798,631 S**
Kuo (45) **Date of Patent:** **** Oct. 3, 2017**

(54) **RACK BASE PLATE**

(71) Applicant: **Jerry Kuo-Yung Kuo**, Taichung (TW)

(72) Inventor: **Jerry Kuo-Yung Kuo**, Taichung (TW)

(**) Term: **15 Years**

(21) Appl. No.: **29/573,437**

(22) Filed: **Aug. 5, 2016**

(51) **LOC (10) Cl.** **06-04**

(52) **U.S. Cl.**
USPC **D6/550**

(58) **Field of Classification Search**

USPC D6/550, 518-524; D8/300, 349, 353,
D8/354, 355; D13/133, 137.1, 138.1,
D13/139.1, 147, 184, 199

CPC G01N 35/04; G01N 35/0092; Y10T
436/113332; B01L 9/06; B01L 7/52

See application file for complete search history.

(56) **References Cited**

U.S. PATENT DOCUMENTS

D559,083 S *	1/2008	Brassard	D8/354
D760,064 S *	6/2016	Aispuro	D8/350
D767,378 S *	9/2016	Sehl	D8/373
D782,281 S *	3/2017	Kuo	D8/349
D784,791 S *	4/2017	Aragaw	D8/353

* cited by examiner

Primary Examiner — Wan Laymon

Assistant Examiner — Mark Booker

(74) *Attorney, Agent, or Firm* — LeClairRyan

(57) **CLAIM**

The ornamental design for a rack base plate, as shown and described.

DESCRIPTION

FIG. 1 is a perspective view of a rack base plate showing my new design;

FIG. 2 is a front elevational view thereof;

FIG. 3 is a rear elevational view thereof;

FIG. 4 is a left side elevational view thereof;

FIG. 5 is a right side elevational view thereof;

FIG. 6 is a top plan view thereof;

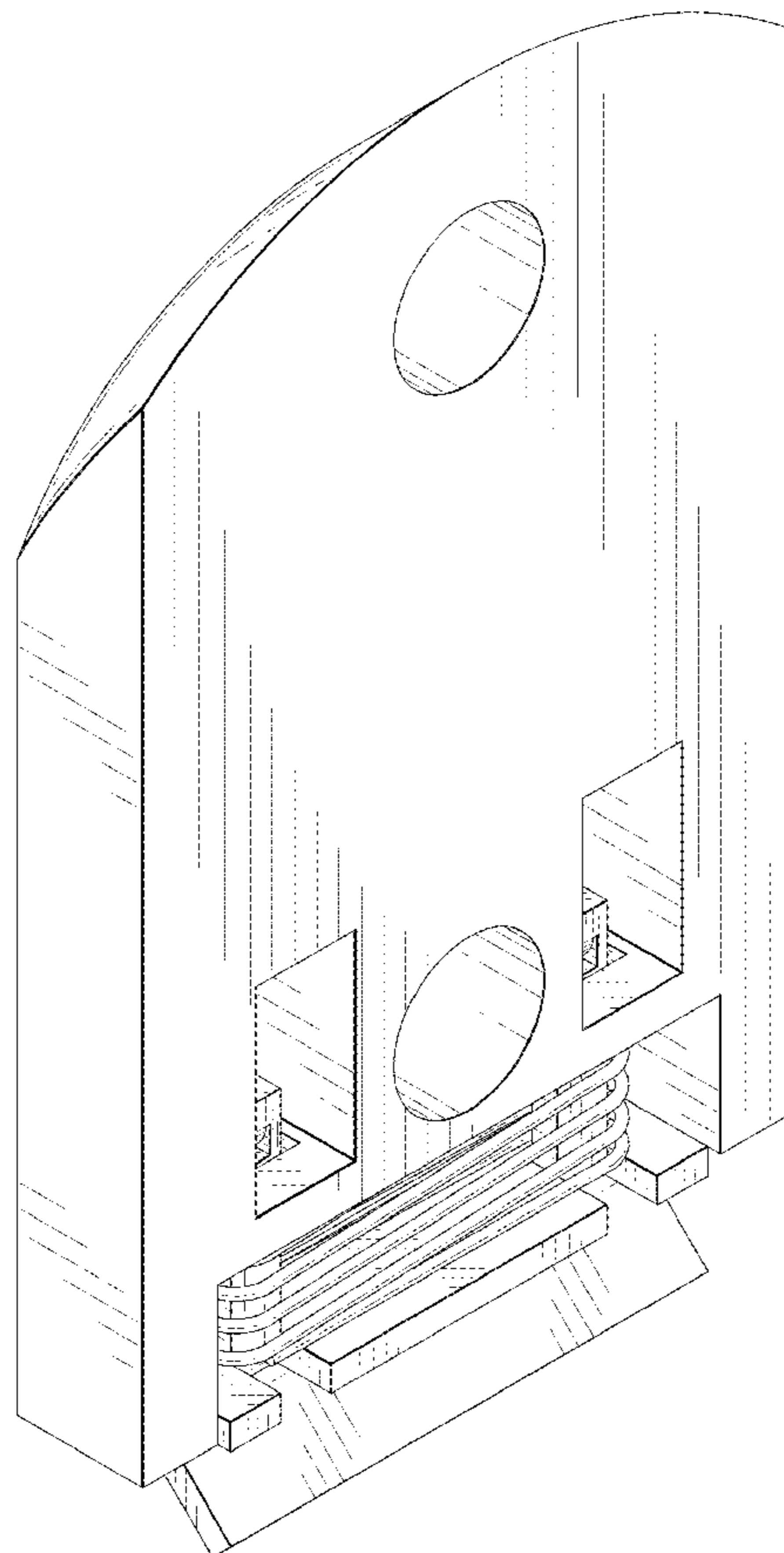
FIG. 7 is a bottom plan view thereof;

FIG. 8 is a rear elevational view of the design in a state of use; and,

FIG. 9 is an enlarged sectional view taken along line 9-9 of FIG. 8.

The broken lines shown in FIGS. 8 and 9 are for illustrating environment only and form no part of the claimed design.

1 Claim, 9 Drawing Sheets



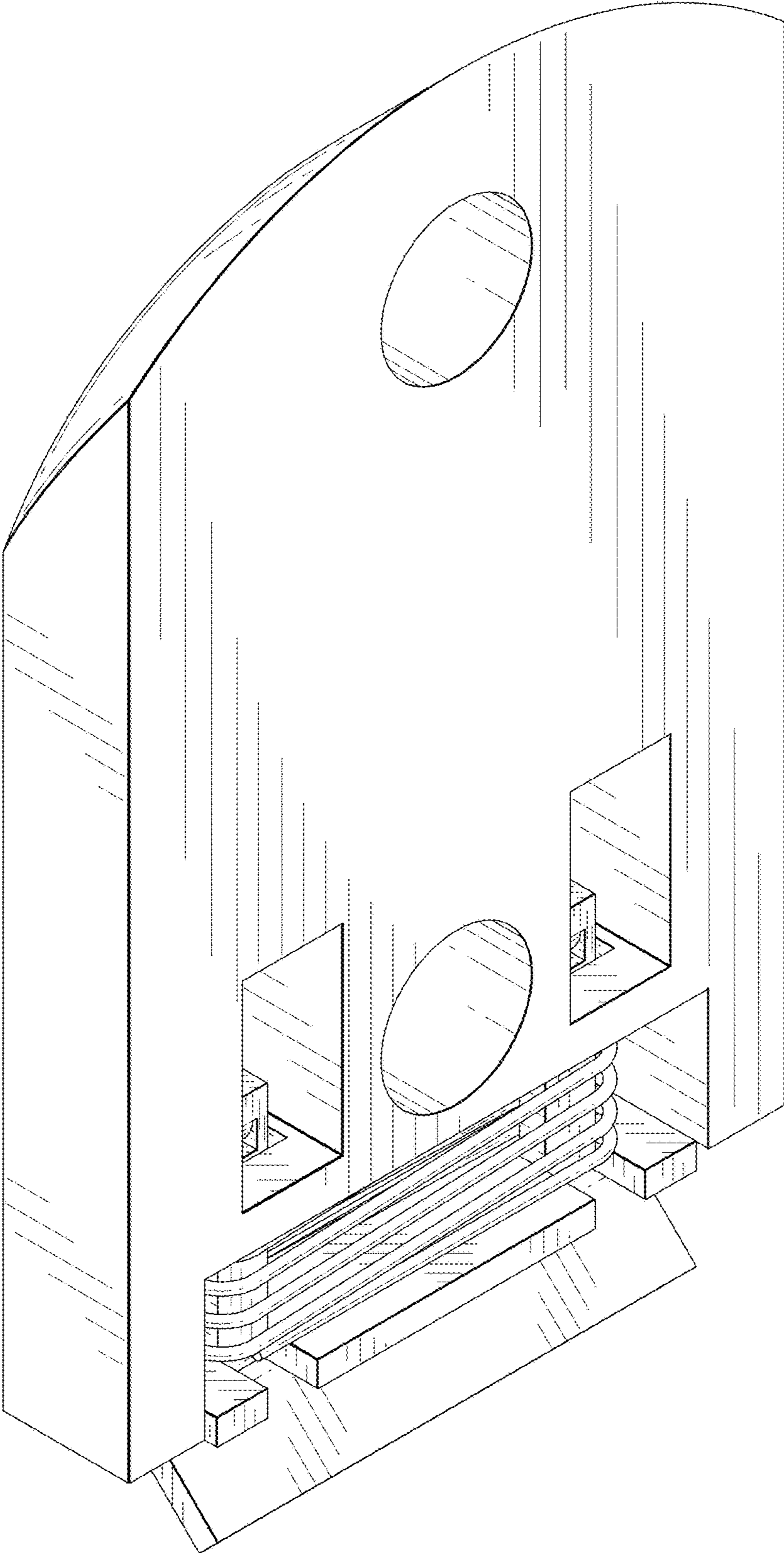


FIG. 1

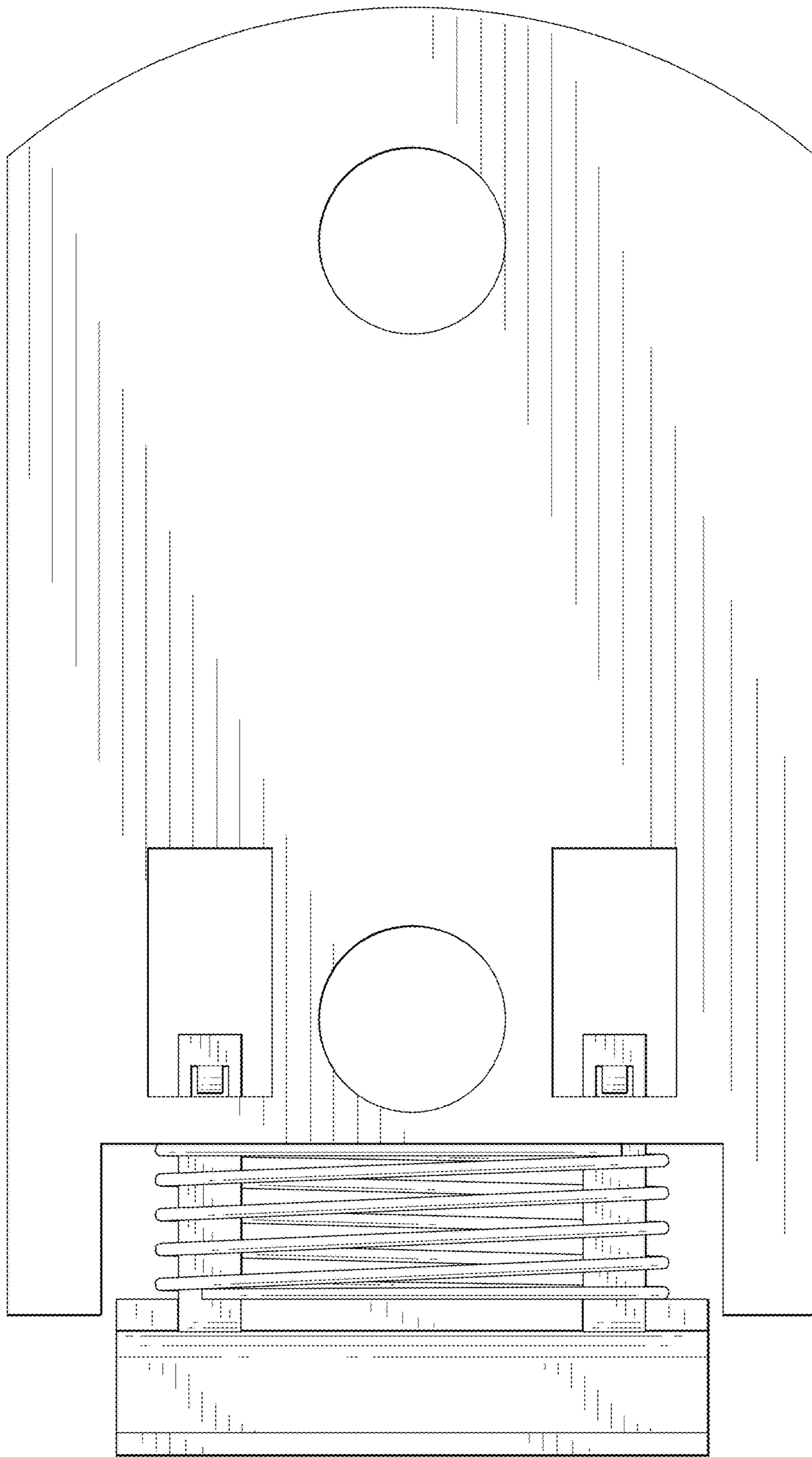


FIG. 2

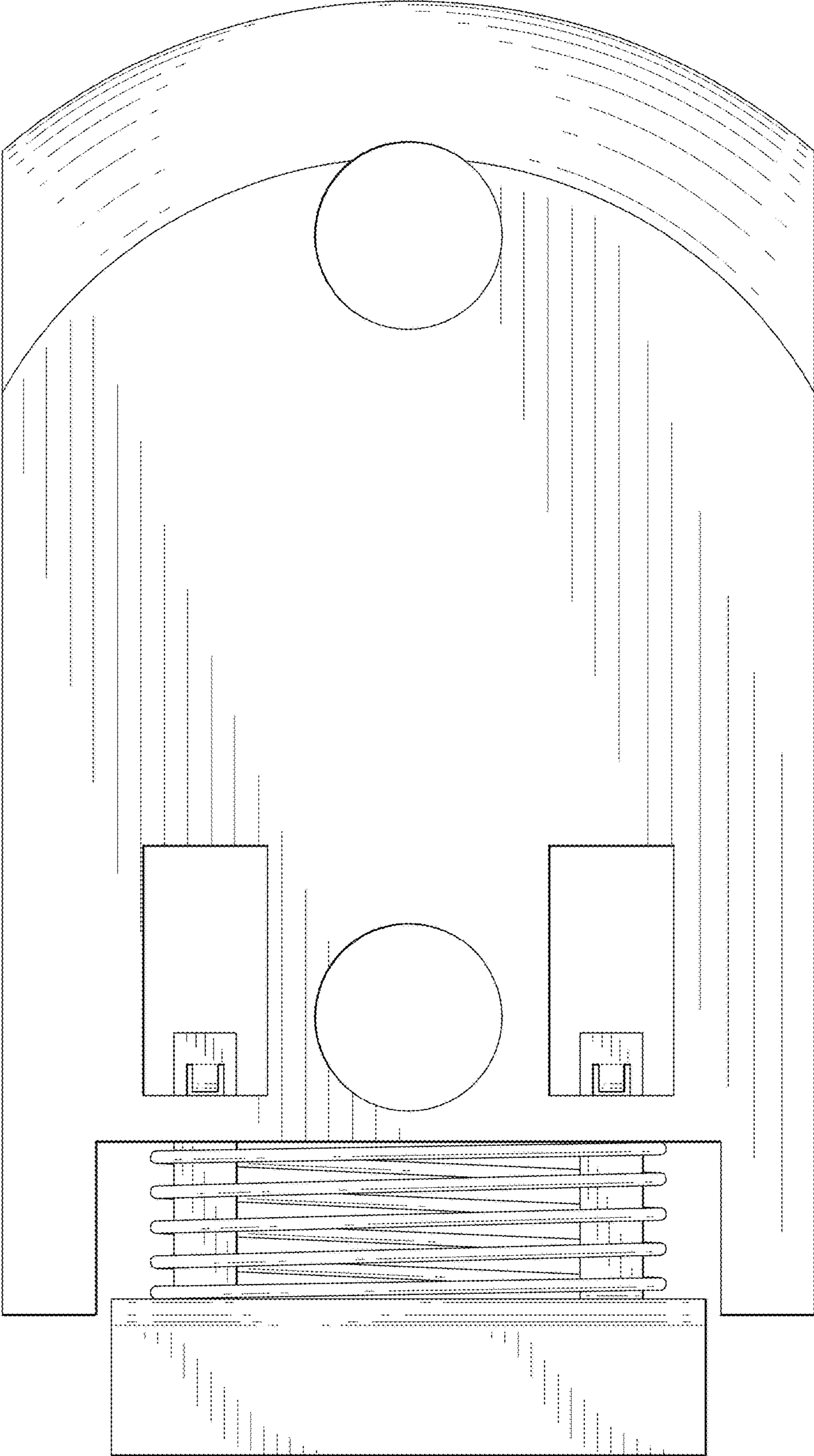


FIG. 3

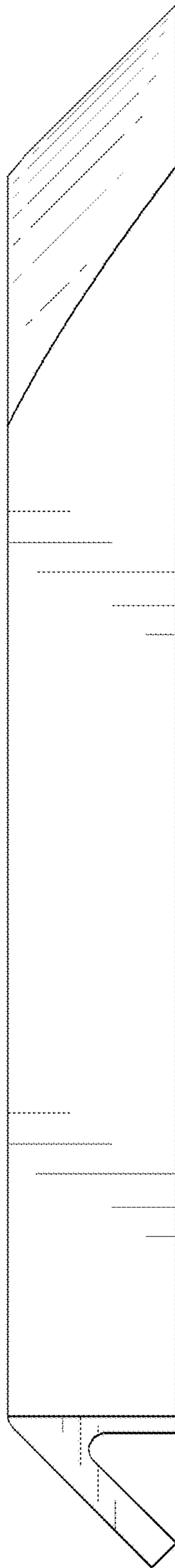


FIG. 4

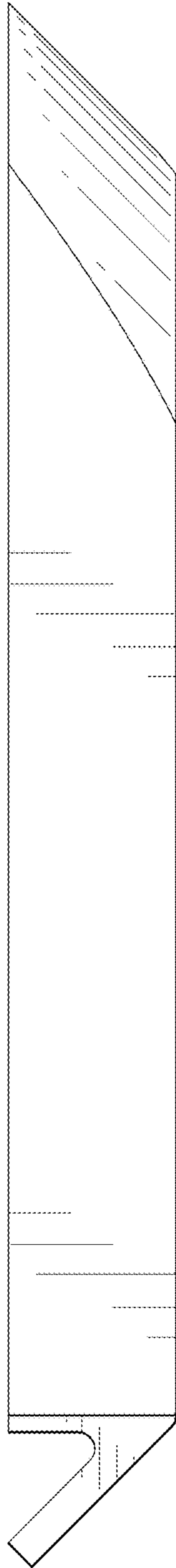


FIG. 5

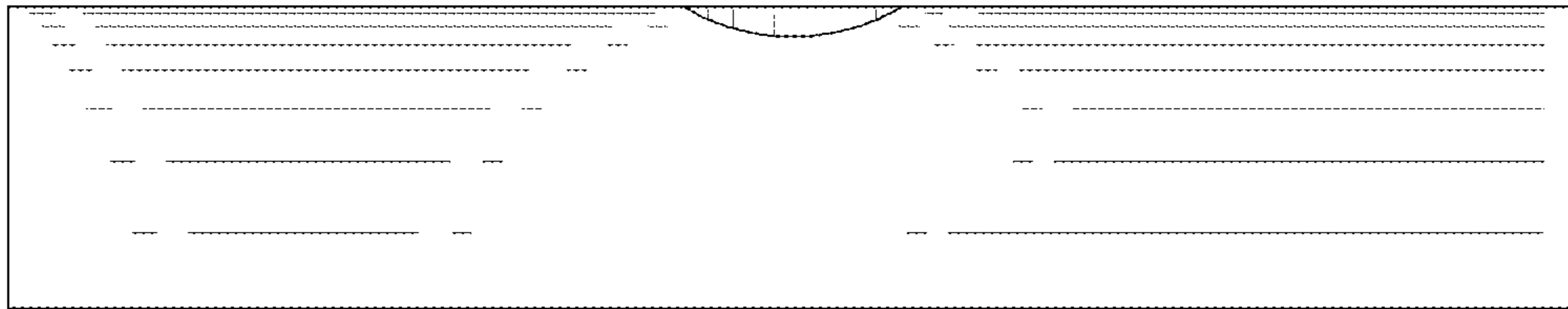


FIG. 6



FIG. 7

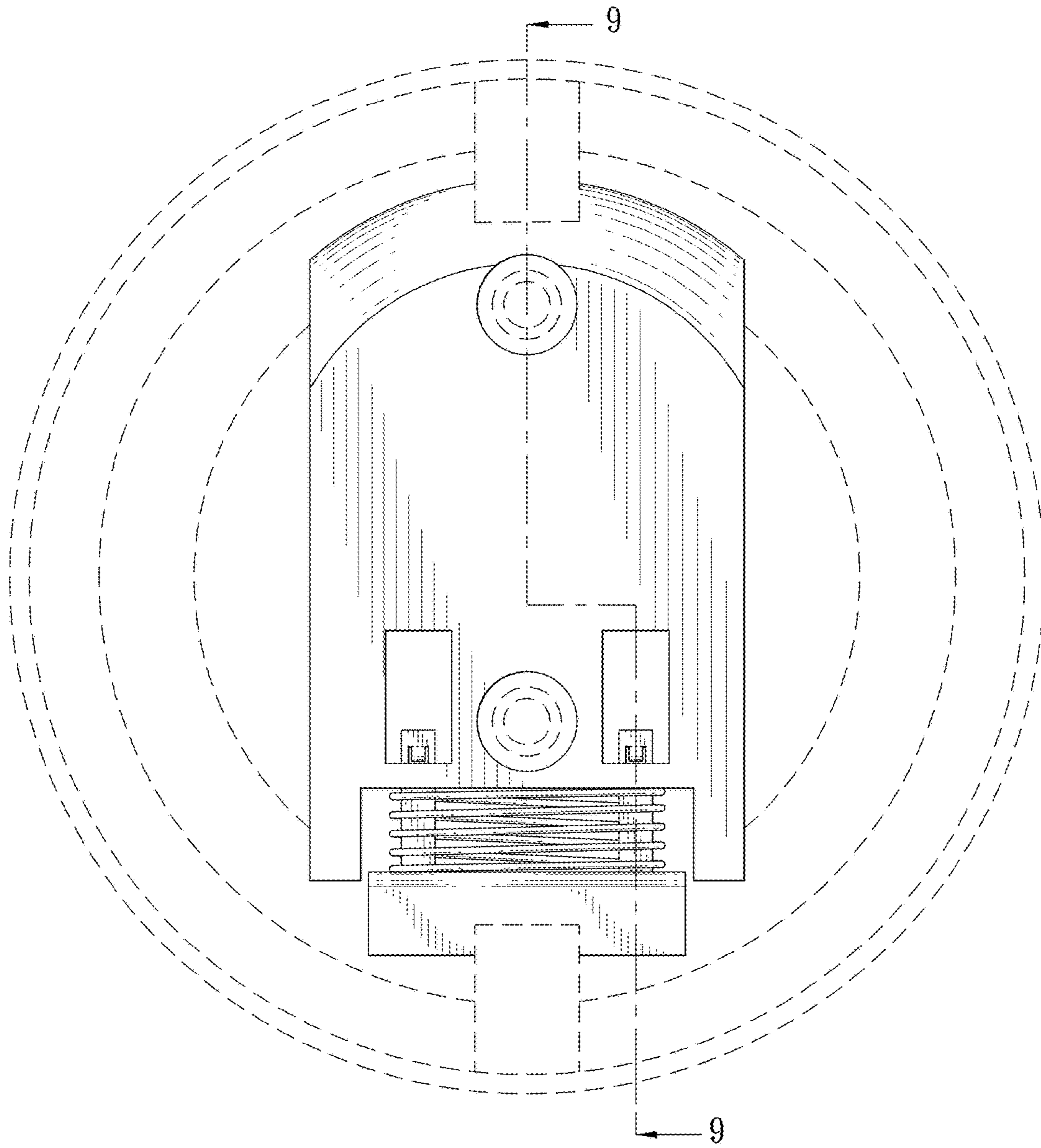


FIG. 8

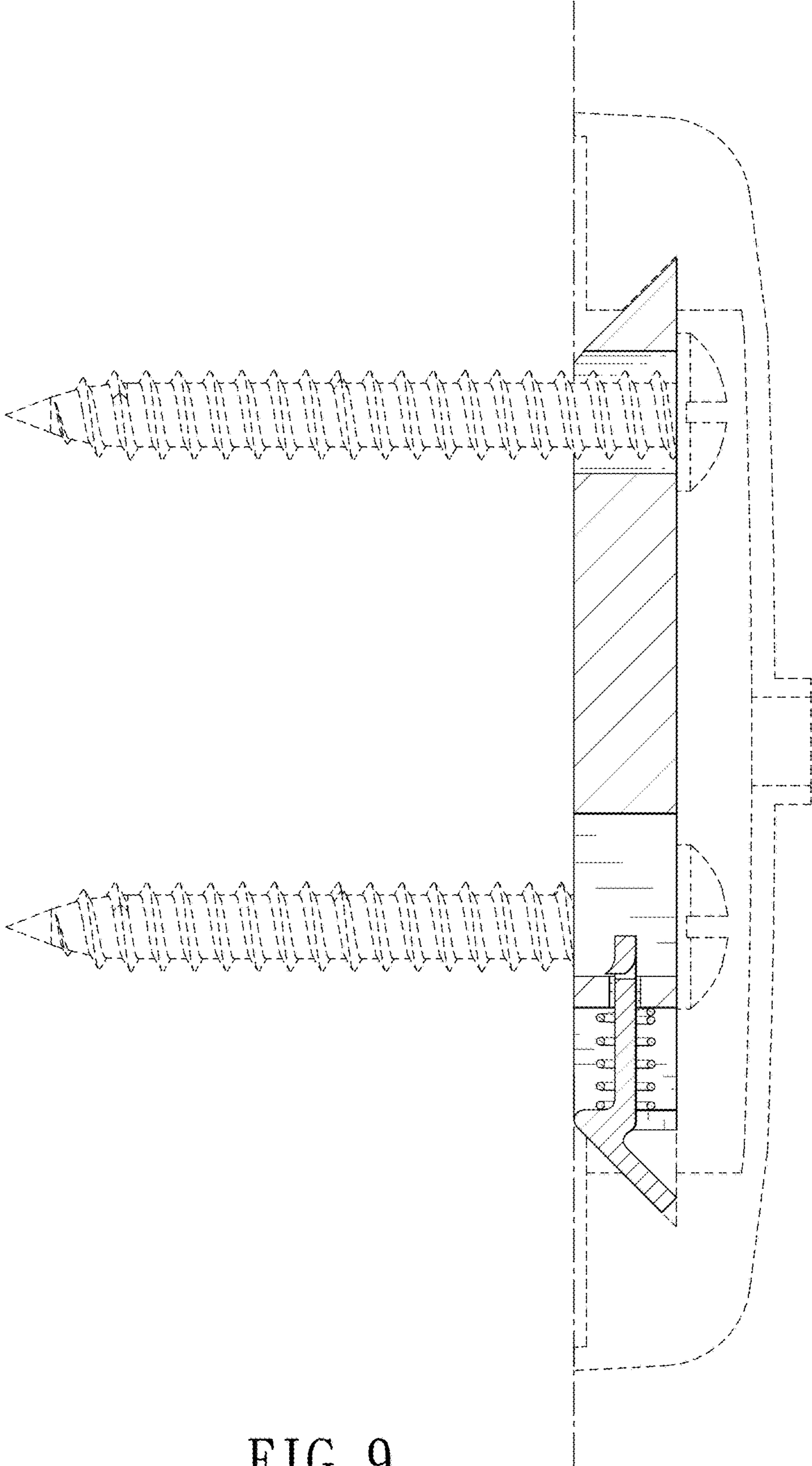


FIG. 9