



US00D798630S

(12) **United States Design Patent**  
**Kovaleff**

(10) **Patent No.:** **US D798,630 S**

(45) **Date of Patent:** **\*\* Oct. 3, 2017**

(54) **INTERCHANGEABLE DECORATION  
HOLDER FOR TOILET PAPER FIXTURE**

(71) Applicant: **Karen Kovaleff**, Novato, CA (US)

(72) Inventor: **Karen Kovaleff**, Novato, CA (US)

(\*\*) Term: **15 Years**

(21) Appl. No.: **29/605,167**

(22) Filed: **May 24, 2017**

(51) **LOC (10) Cl.** ..... **23-02**

(52) **U.S. Cl.**  
USPC ..... **D6/523**

(58) **Field of Classification Search**  
USPC ..... D6/518-523, 546, 549; 206/389;  
211/123, 124; 242/520, 555, 595, 597;  
248/309.1, 309.2  
CPC ..... A47K 10/12; A47K 10/38; A47K 10/22;  
A47K 10/40; A47K 2010/3233; A47K  
2010/3863  
See application file for complete search history.

(56) **References Cited**

**U.S. PATENT DOCUMENTS**

- 2,222,951 A \* 11/1940 Krueger ..... A47K 10/38  
242/596.3
- D125,116 S \* 2/1941 Sanford ..... D6/523
- 2,371,109 A \* 3/1945 Sanford ..... A47K 10/22  
242/596.3
- D161,199 S \* 12/1950 Perelman ..... D6/522
- D174,945 S \* 6/1955 Casey ..... D6/523
- 2,879,012 A \* 3/1959 Sarro ..... A47K 10/38  
16/DIG. 13
- 2,905,404 A \* 9/1959 Simmons ..... A47K 10/40  
242/423.2
- 3,706,421 A \* 12/1972 Popham ..... A47K 10/38  
242/596.5
- D264,406 S \* 5/1982 Arnott ..... D6/522
- D273,644 S \* 5/1984 Colavito ..... D6/518
- 4,915,316 A \* 4/1990 Bastian ..... A47K 10/40  
242/596.3

- D308,891 S \* 6/1990 Harris ..... D19/69
- 5,662,288 A \* 9/1997 Chiang ..... A47K 10/38  
242/596
- 6,363,824 B1 \* 4/2002 Granger ..... A47K 10/3643  
242/560
- 6,446,927 B1 \* 9/2002 Nuss ..... A47K 10/38  
211/16
- 6,672,532 B1 \* 1/2004 Huang ..... B65H 35/0026  
225/65
- D551,478 S \* 9/2007 Dretzka ..... D6/522
- 7,357,350 B1 \* 4/2008 Rogers ..... A47K 10/38  
242/594.5
- D578,813 S \* 10/2008 Goodman ..... D6/522

(Continued)

**OTHER PUBLICATIONS**

www.tptoppers.com, tp topper bracket, <http://www.tptoppers.com>,  
Jun. 29, 2017.\*

*Primary Examiner* — David Muller  
*Assistant Examiner* — Nathan Johnston  
(74) *Attorney, Agent, or Firm* — Steven A. Nielsen;  
[www.NielsenPatents.com](http://www.NielsenPatents.com)

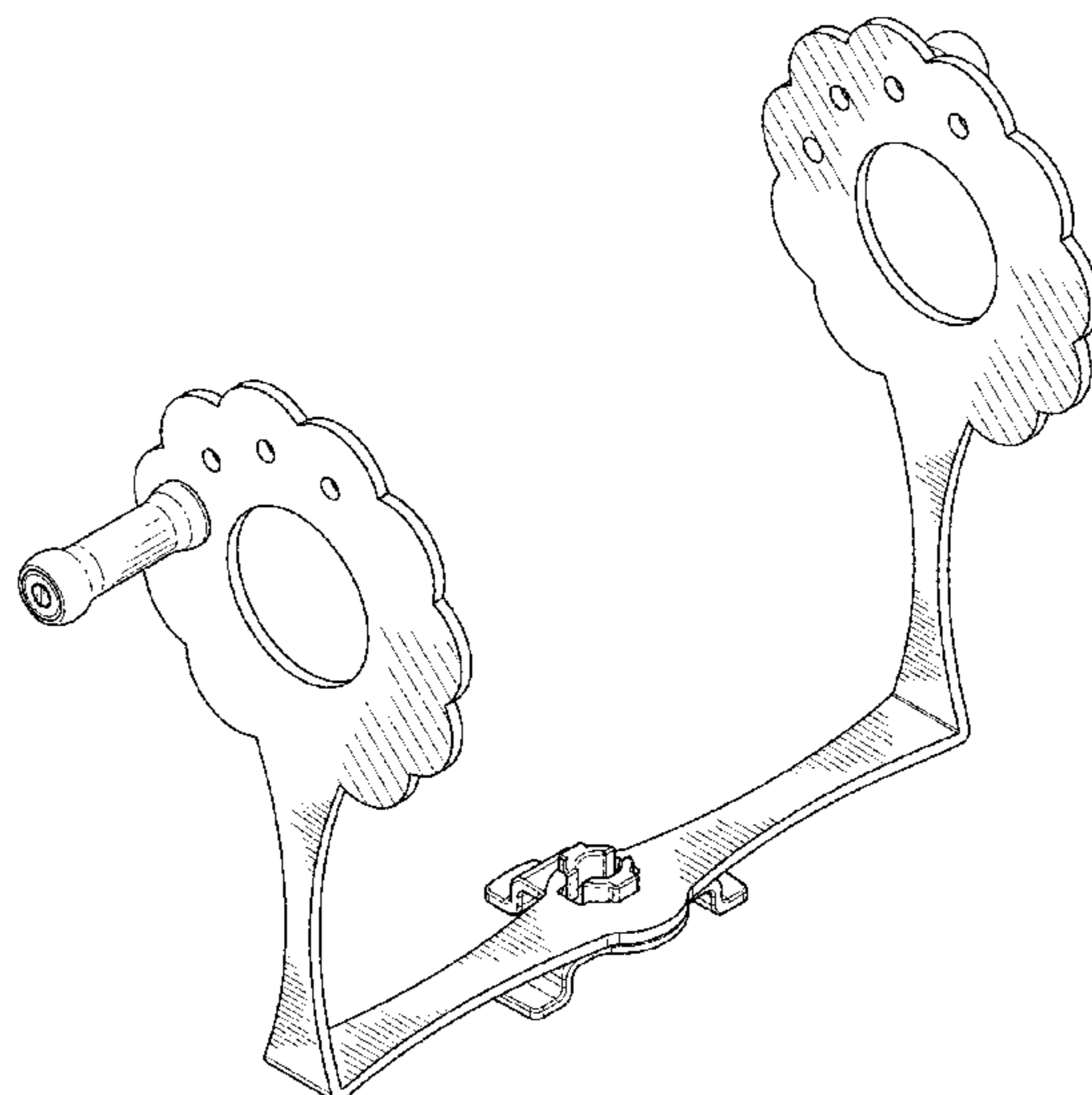
(57) **CLAIM**

The ornamental design for an interchangeable decoration holder for toilet paper fixture, as shown and described.

**DESCRIPTION**

FIG. 1 is a top and side perspective view of an interchangeable decoration holder for toilet paper fixture showing my new design;  
FIG. 2 is a top plan view thereof;  
FIG. 3 is a bottom plan view thereof;  
FIG. 4 is a right side elevation view, the left side elevation view being a mirror image thereof;  
FIG. 5 is a rear elevation view thereof; and,  
FIG. 6 is a front elevation view thereof.

**1 Claim, 4 Drawing Sheets**



(56)

**References Cited**

U.S. PATENT DOCUMENTS

7,566,025	B1 *	7/2009	Simonsen	.....	A47K 10/40 242/596.3
D739,158	S *	9/2015	Pan	.....	D6/518
2004/0144883	A1 *	7/2004	Adler	.....	A47K 10/40 242/598.3
2007/0075180	A1 *	4/2007	Morand	.....	A47K 10/40 242/596.7
2007/0131818	A1 *	6/2007	Ko	.....	A47K 10/40 242/596.4
2014/0332618	A1 *	11/2014	McNicholas	.....	A47K 10/22 242/591
2015/0284206	A1 *	10/2015	Michelena	.....	B65H 16/005 242/596.3

\* cited by examiner

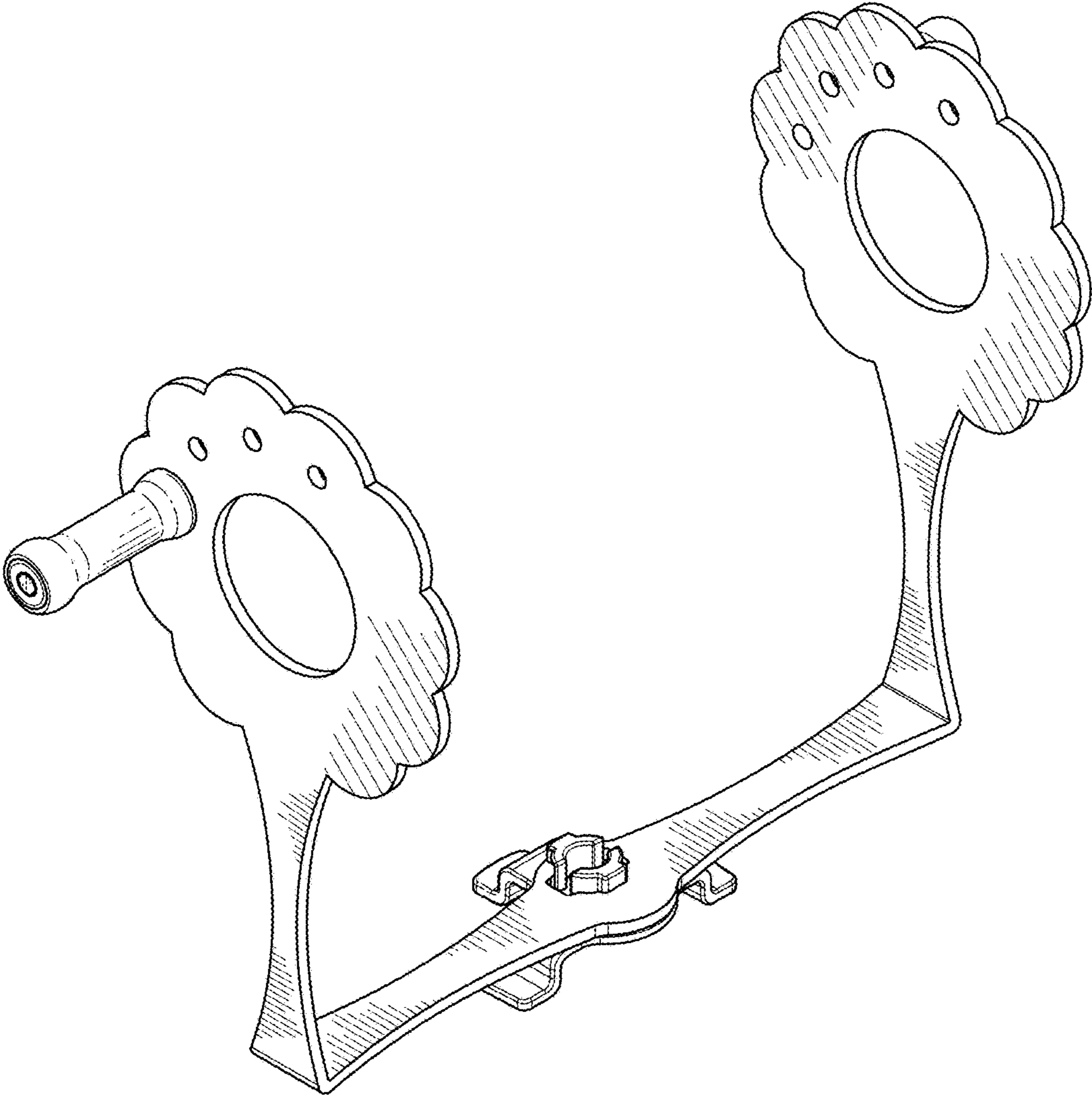


FIG. 1

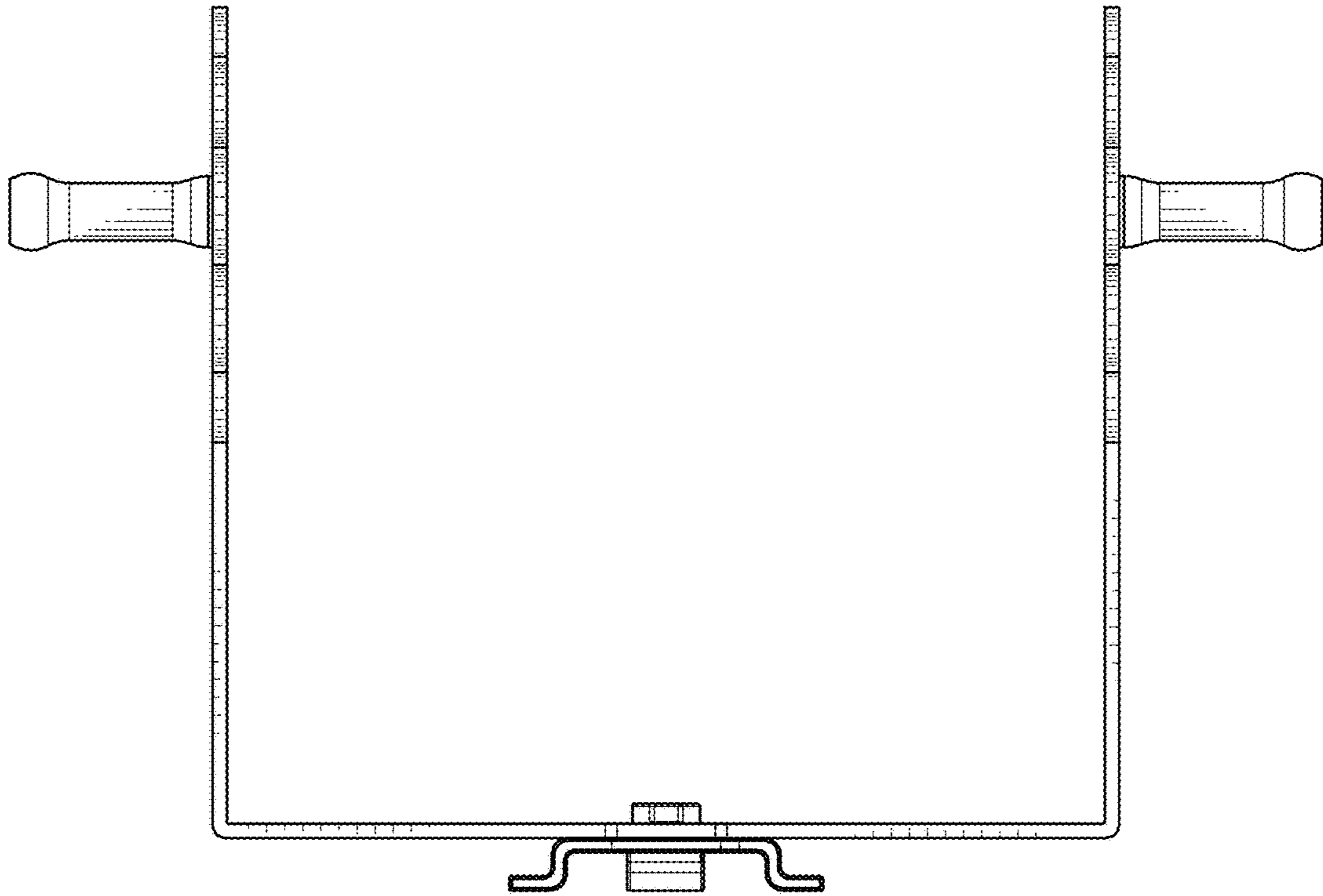


FIG. 2

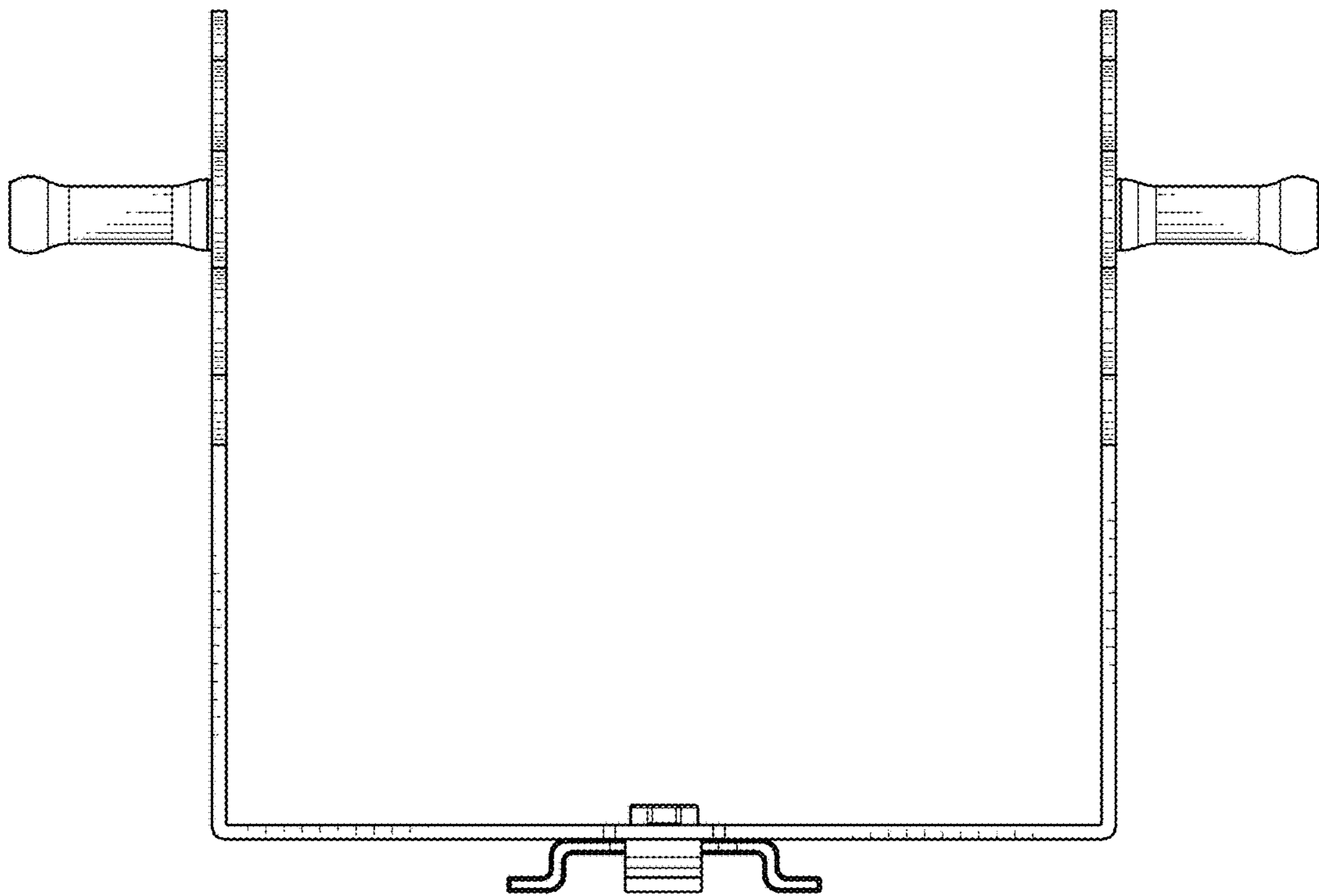


FIG. 3

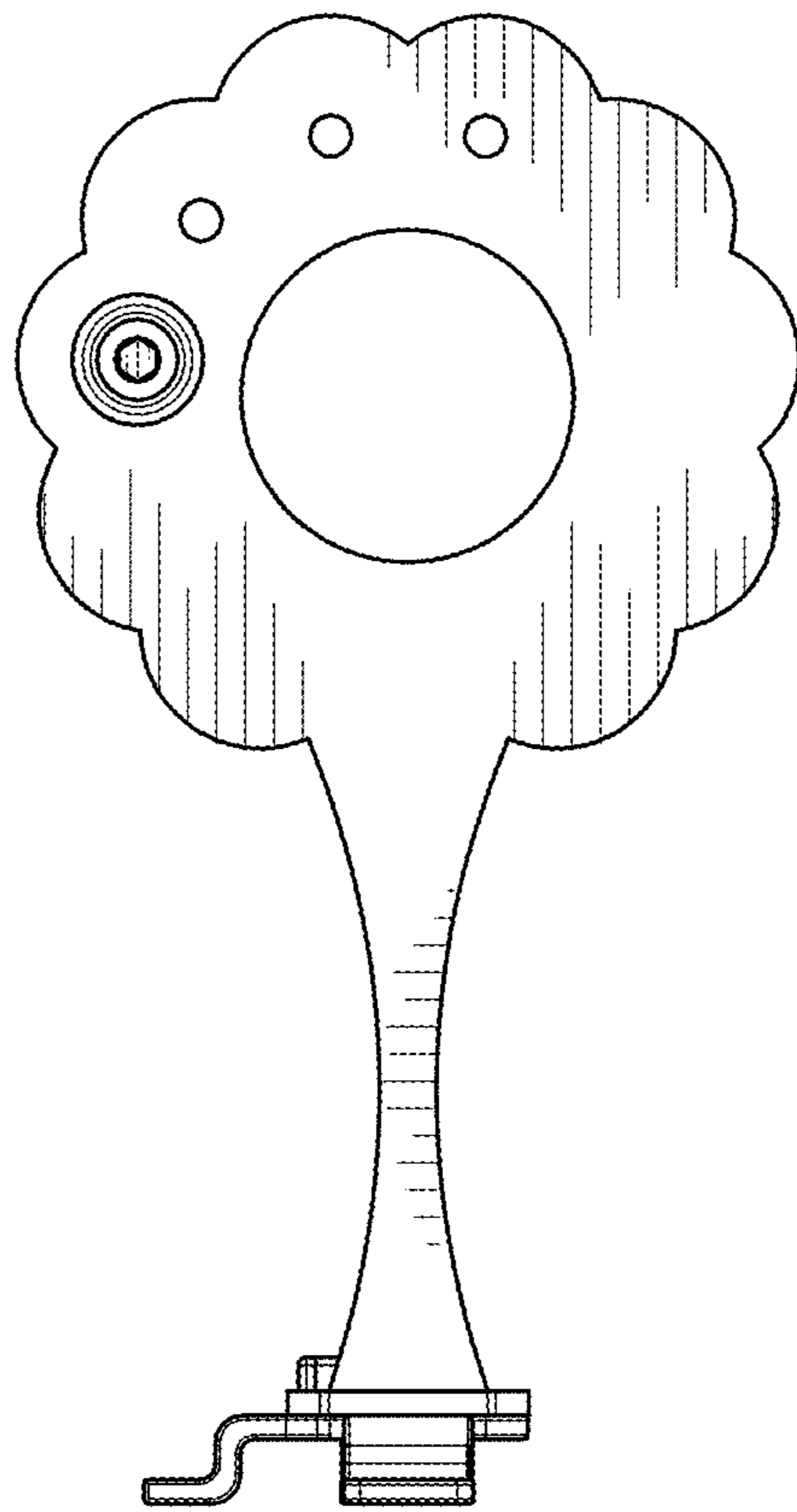


FIG. 4

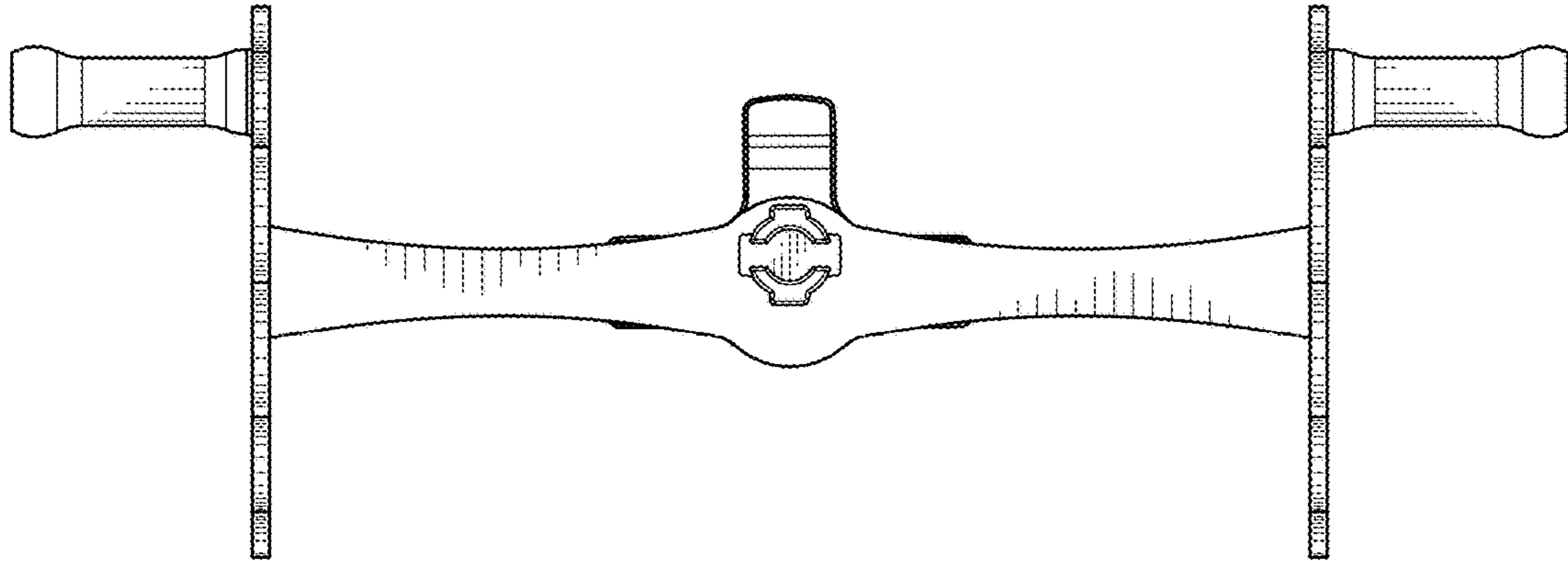


FIG. 5

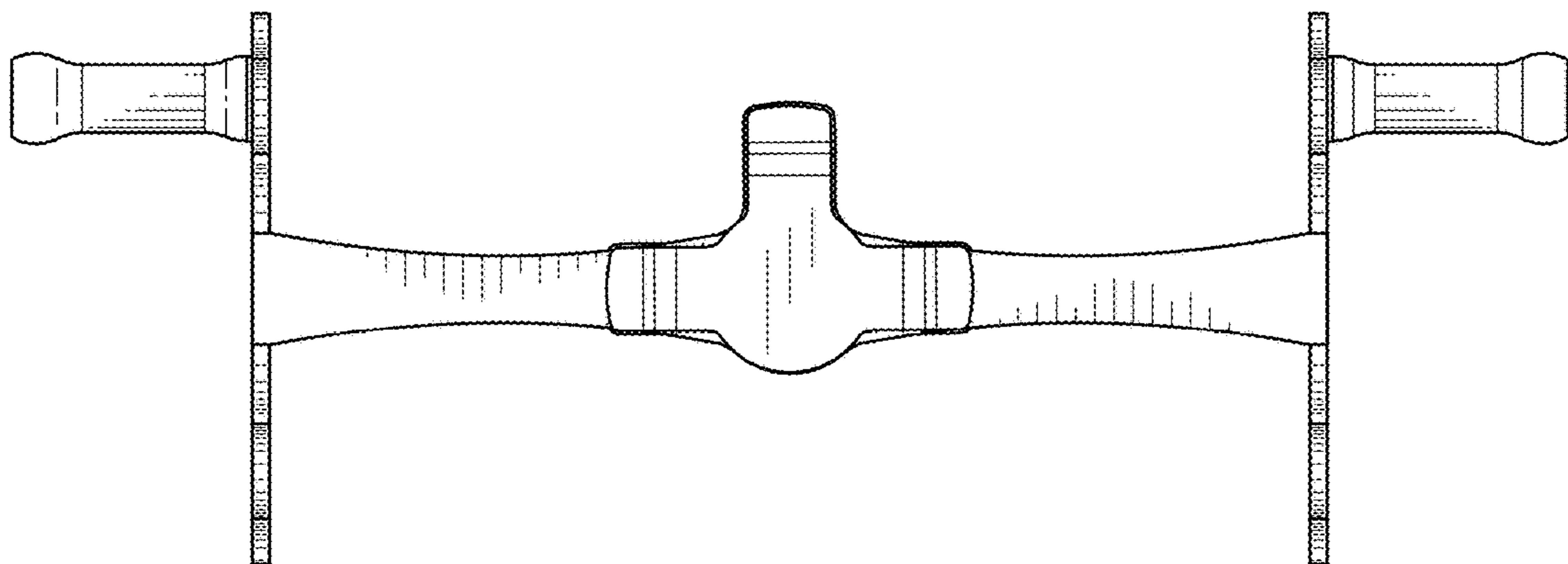


FIG. 6