



US00D798628S

(12) **United States Design Patent** (10) **Patent No.:** **US D798,628 S**
Zhang et al. (45) **Date of Patent:** **** Oct. 3, 2017**

(54) **L-BASE EARPLUG DISPENSER** 5,954,229 A * 9/1999 Scholey A61F 11/08
 221/186
 (71) Applicant: **Honeywell International Inc.**, Morris Plains, NJ (US) D647,742 S * 11/2011 Pourian D6/515
 D772,598 S * 11/2016 Zhang D6/515

* cited by examiner

(72) Inventors: **Jex Zhang**, Shanghai (CN); **Alex Xu**, Shanghai (CN); **Charlotte Fitzgerald**, San Diego, CA (US); **Rocky Qu**, Shanghai (CN)

Primary Examiner — Wan Laymon
Assistant Examiner — Mark Booker
 (74) *Attorney, Agent, or Firm* — Conley Rose, P.C.;
 Kristin Jordan Harkins

(73) Assignee: **Honeywell International Inc.**, Morris Plains, NJ (US)

(57) **CLAIM**

The ornamental design for an L-base earplug dispenser, as shown and described.

(**) Term: **15 Years**

DESCRIPTION

(21) Appl. No.: **29/565,754**
 (22) Filed: **May 24, 2016**
 (51) **LOC (10) Cl.** **03-01**
 (52) **U.S. Cl.**
 USPC **D6/515**
 (58) **Field of Classification Search**
 USPC D6/515, 512; D3/201, 203.1, 203.7, 205,
 D3/215, 218; D24/106; 128/866;
 206/229; 221/155, 186, 190, 197, 266,
 221/282, 289
 CPC A61F 11/08; G07F 11/44
 See application file for complete search history.

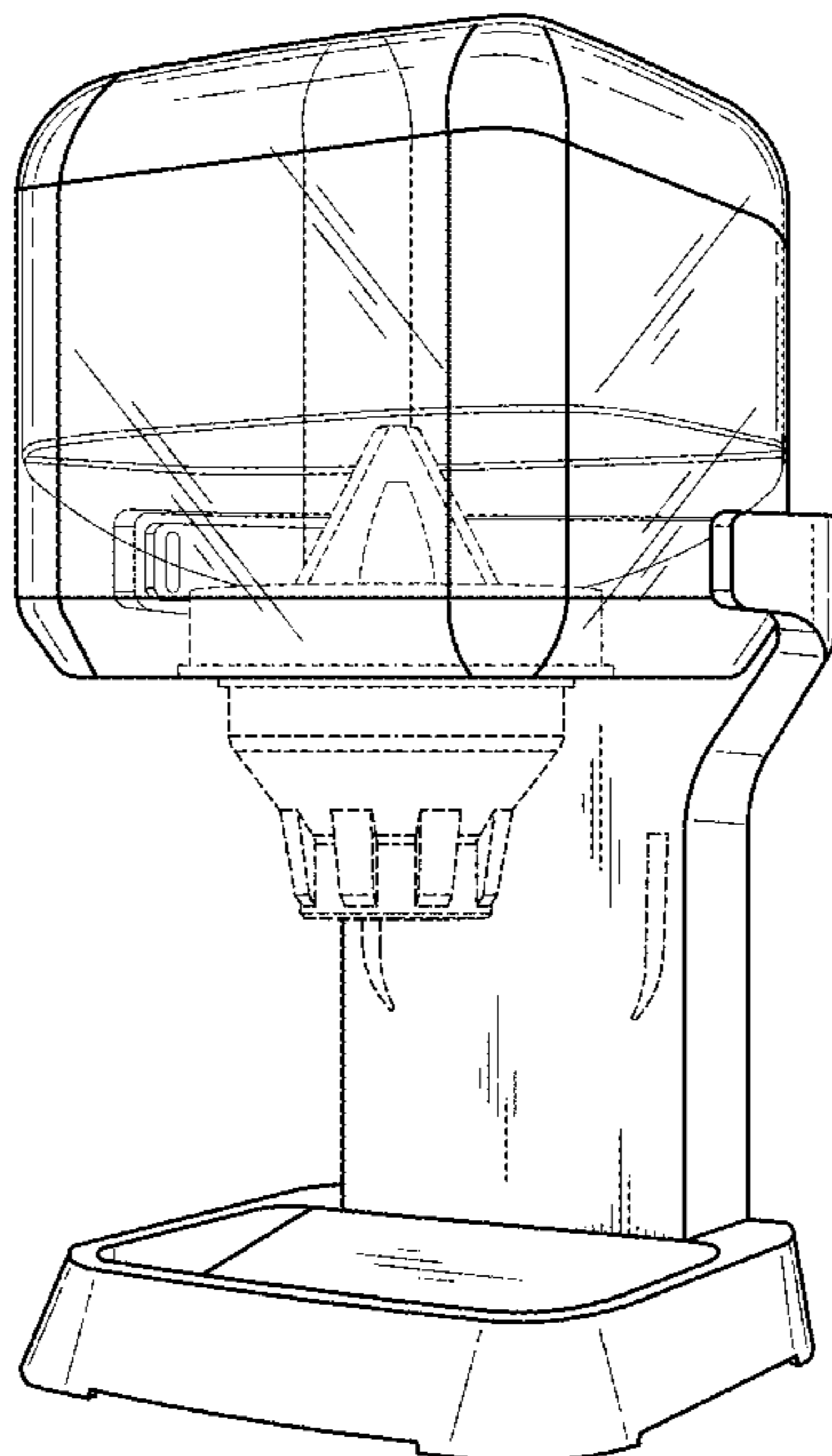
FIG. 1 is a front perspective view of an L-base earplug dispenser in accordance with the new design;
 FIG. 2 is a front elevation view thereof;
 FIG. 3 is a rear elevation view thereof;
 FIG. 4 is a side elevation view thereof;
 FIG. 5 is a side elevation view thereof, for the side opposite that of FIG. 4;
 FIG. 6 is a top elevation view thereof;
 FIG. 7 is a bottom elevation view thereof;
 FIG. 8 is an exploded front left perspective view thereof, depicting the container portion removed from the base portion;
 FIG. 9 is an exploded front right perspective view thereof, also depicting the container portion removed from the base portion; and,
 FIG. 10 is an exploded front right perspective view depicting the components of the design disassembled.
 The broken lines shown in the figures represent portions of the L-base earplug dispenser that form no part of the claimed design.

(56) **References Cited**

U.S. PATENT DOCUMENTS

5,280,845 A * 1/1994 Leight G07F 11/44
 221/1
 D345,663 S * 4/1994 Hartman D6/515
 5,322,185 A * 6/1994 Leight A61F 11/08
 221/1

1 Claim, 7 Drawing Sheets



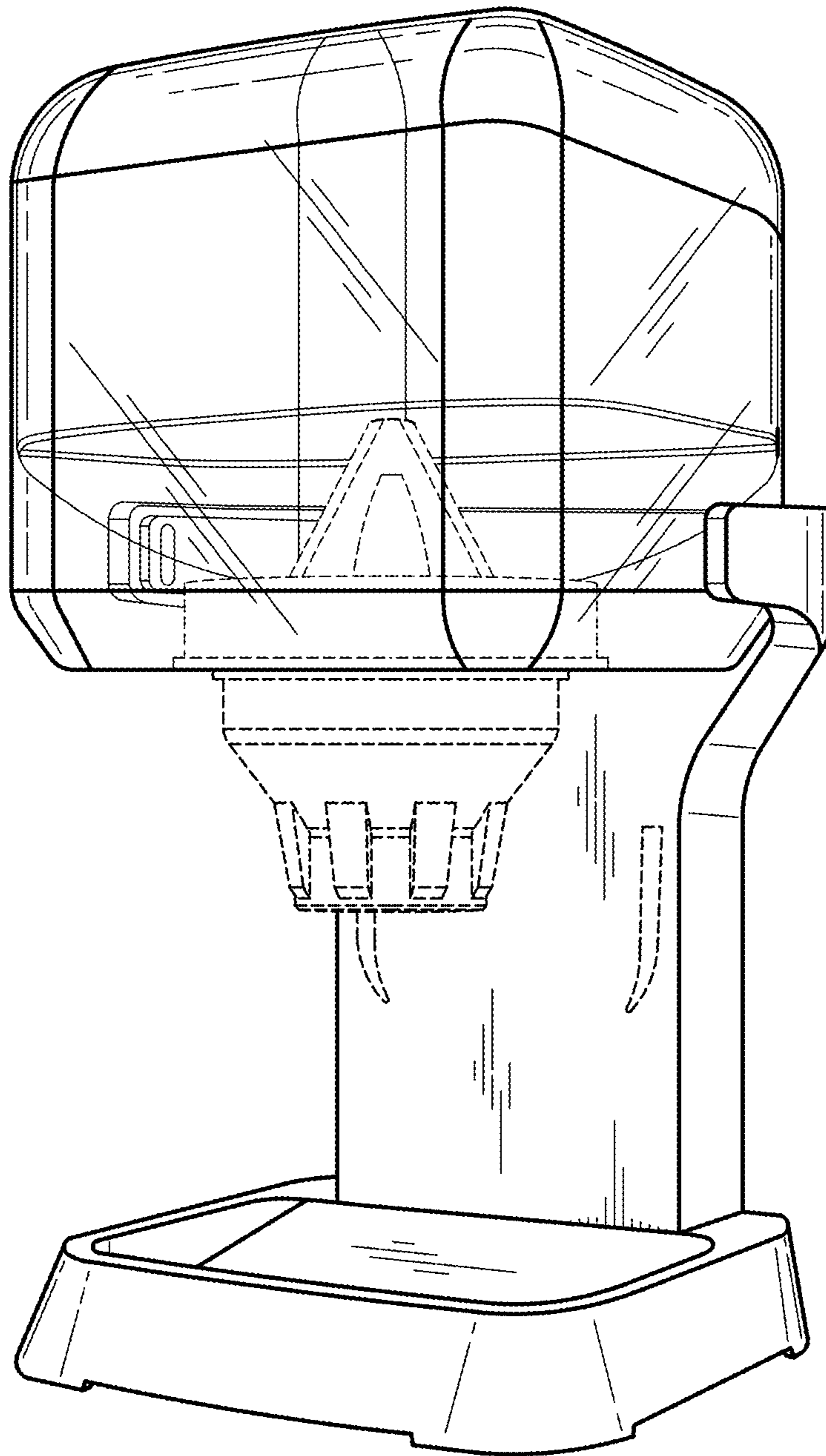


FIG. 1

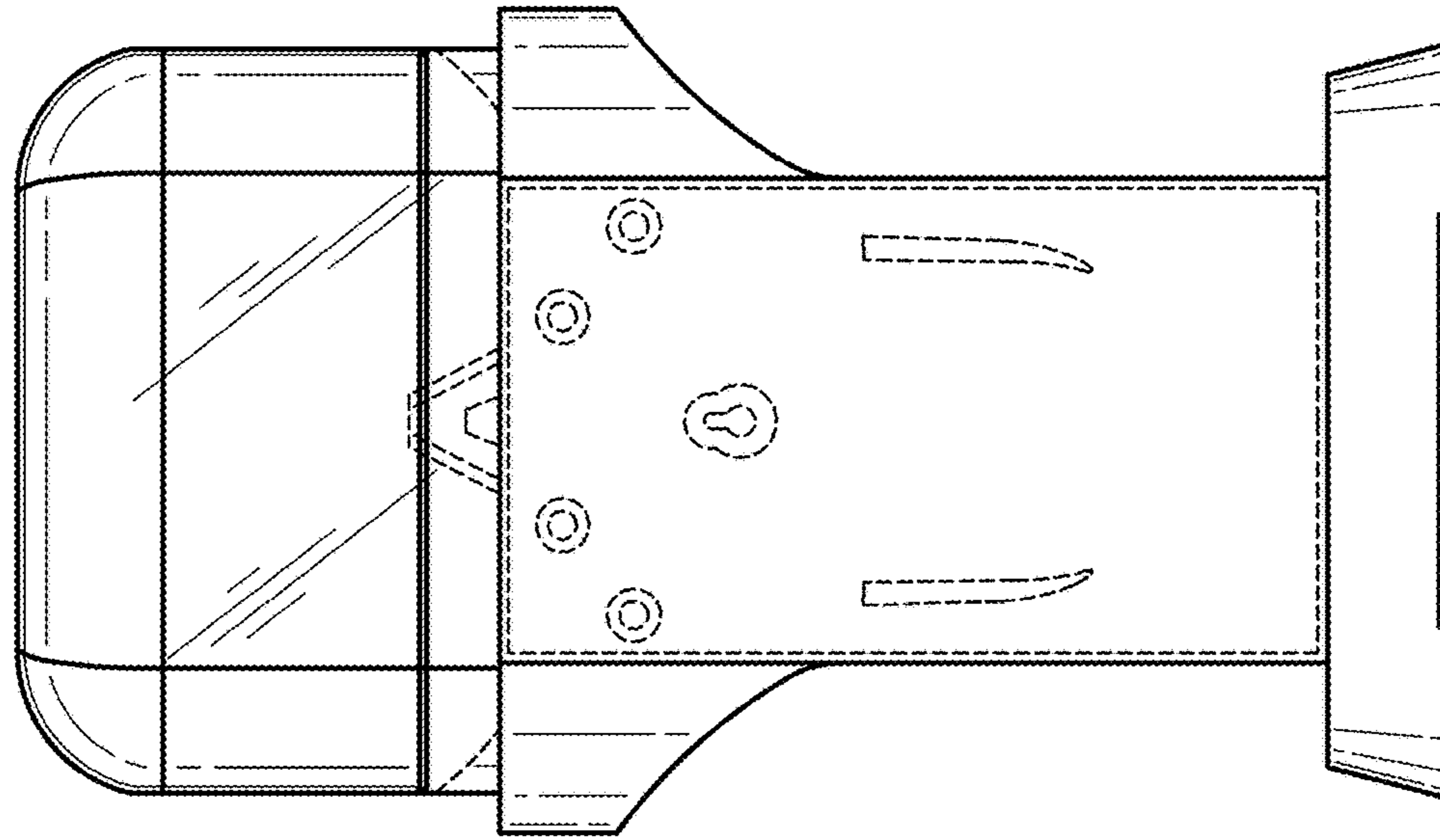


FIG. 3

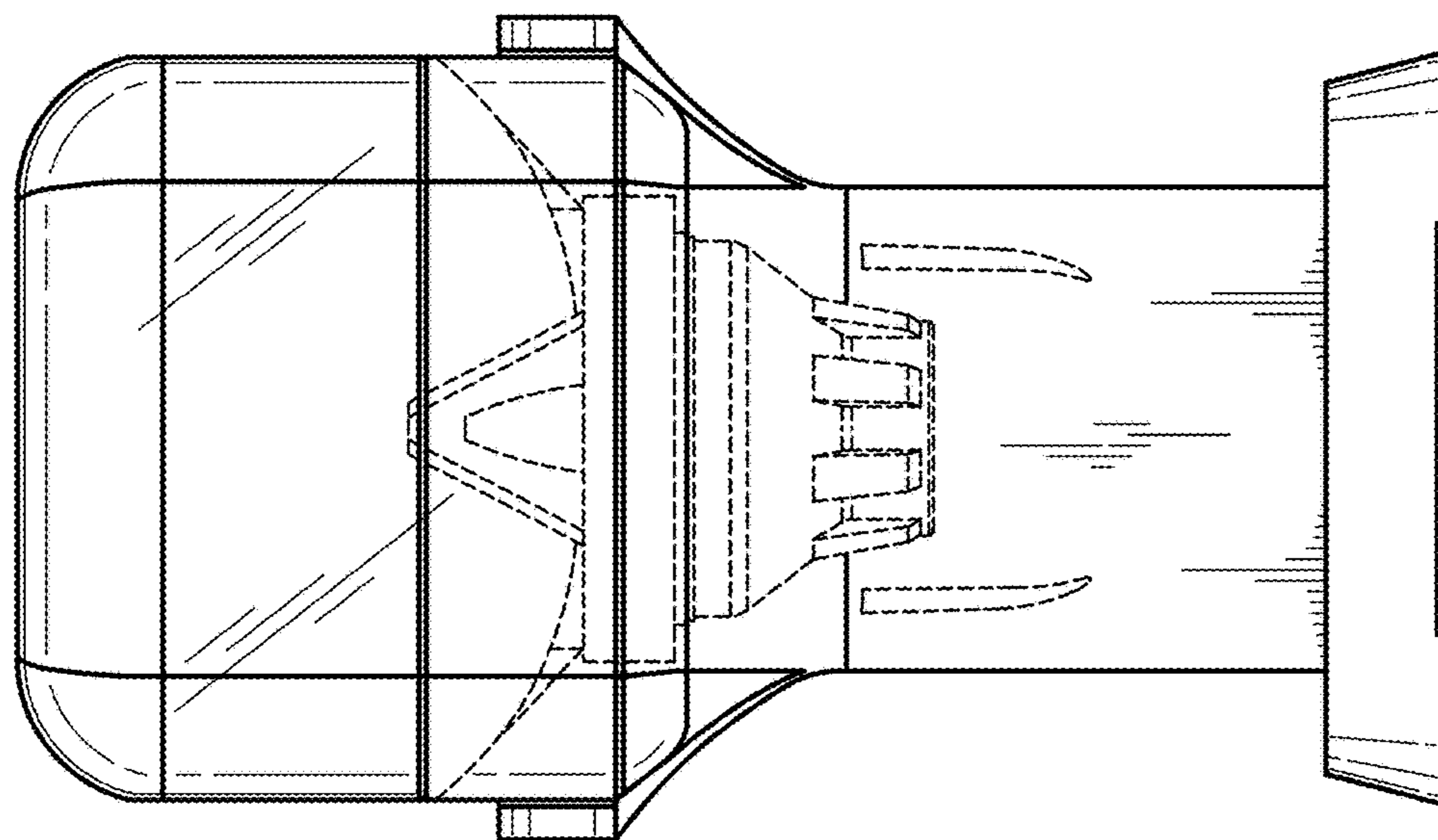


FIG. 2

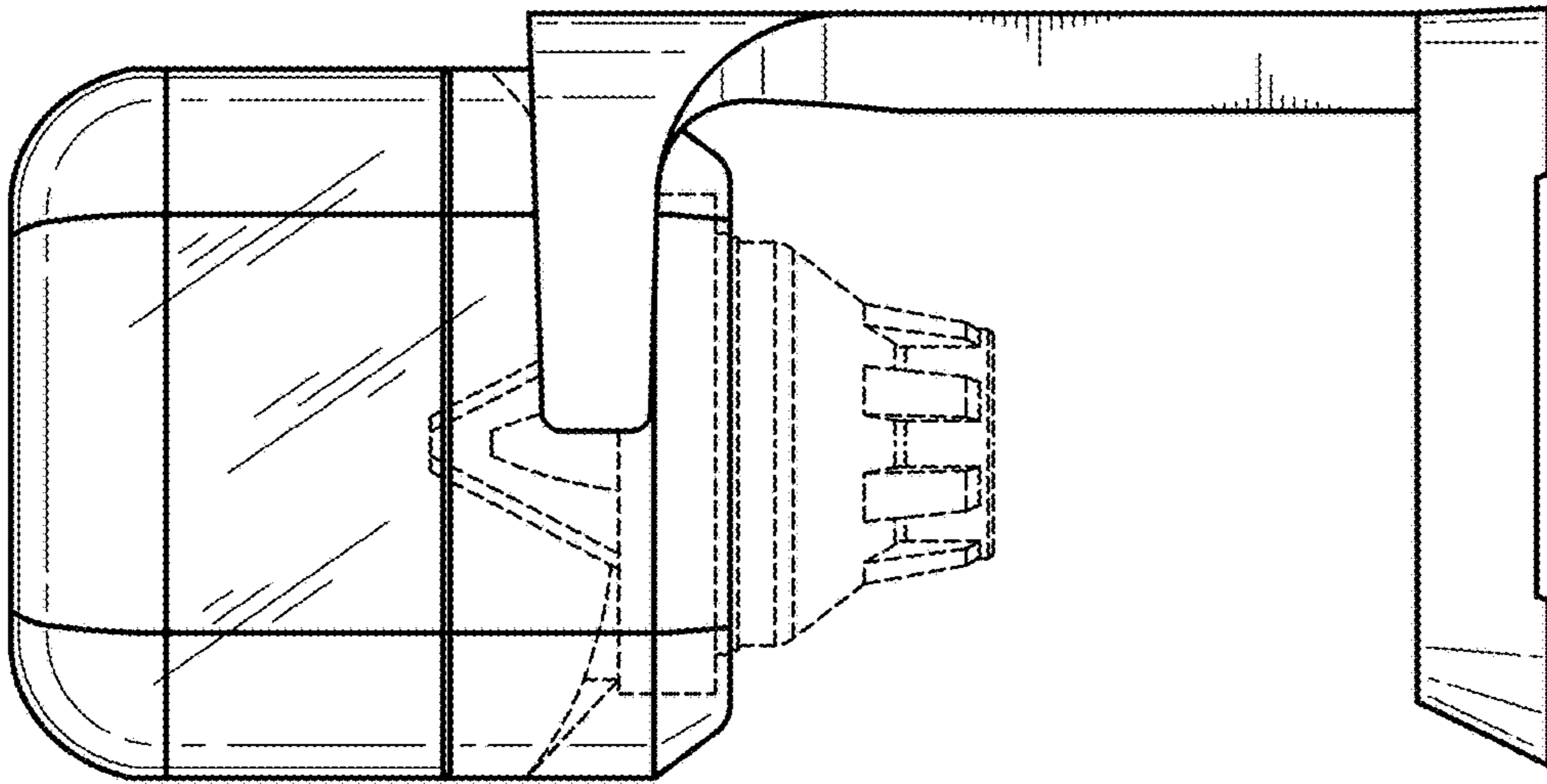


FIG. 5

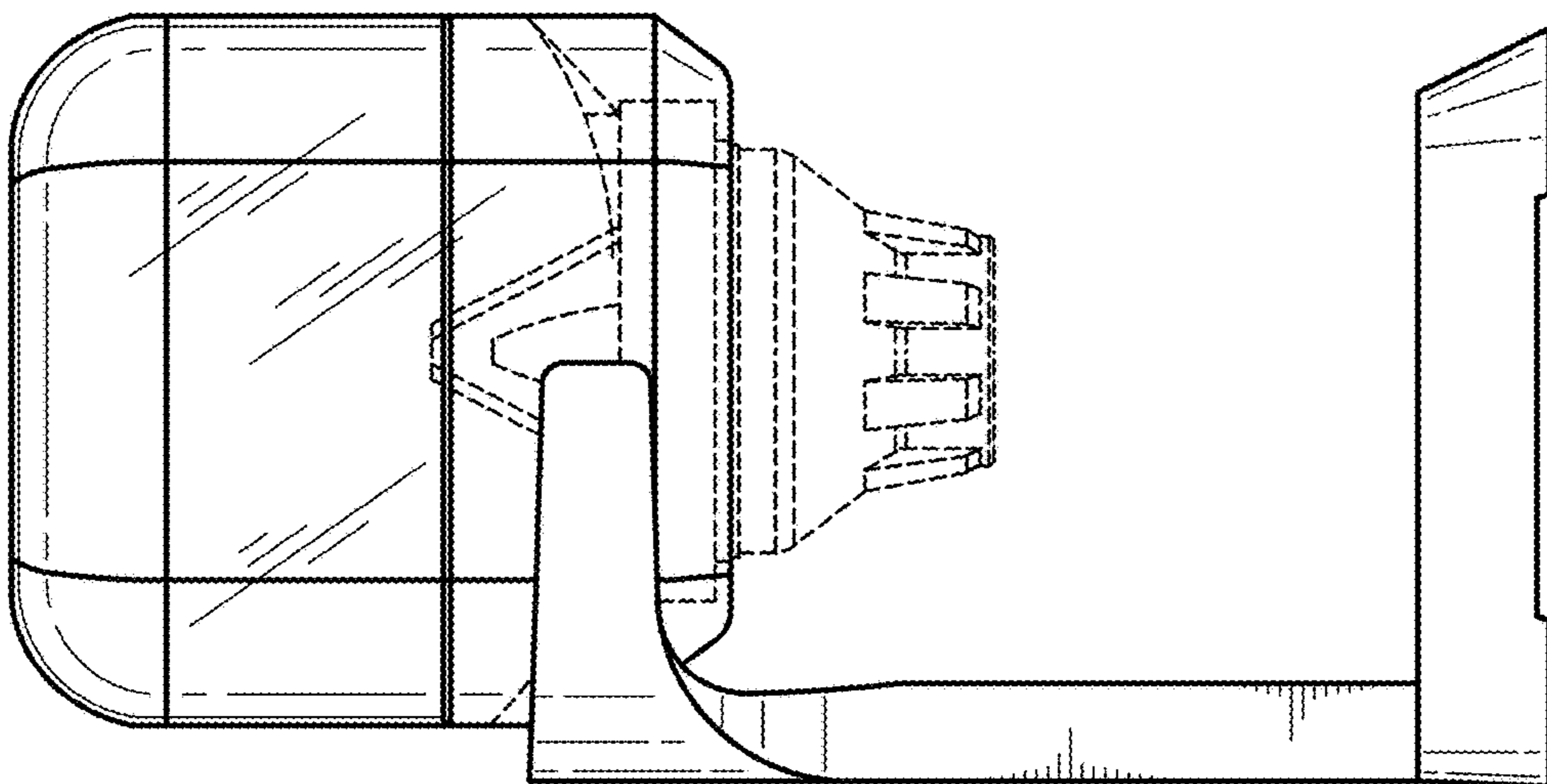


FIG. 4

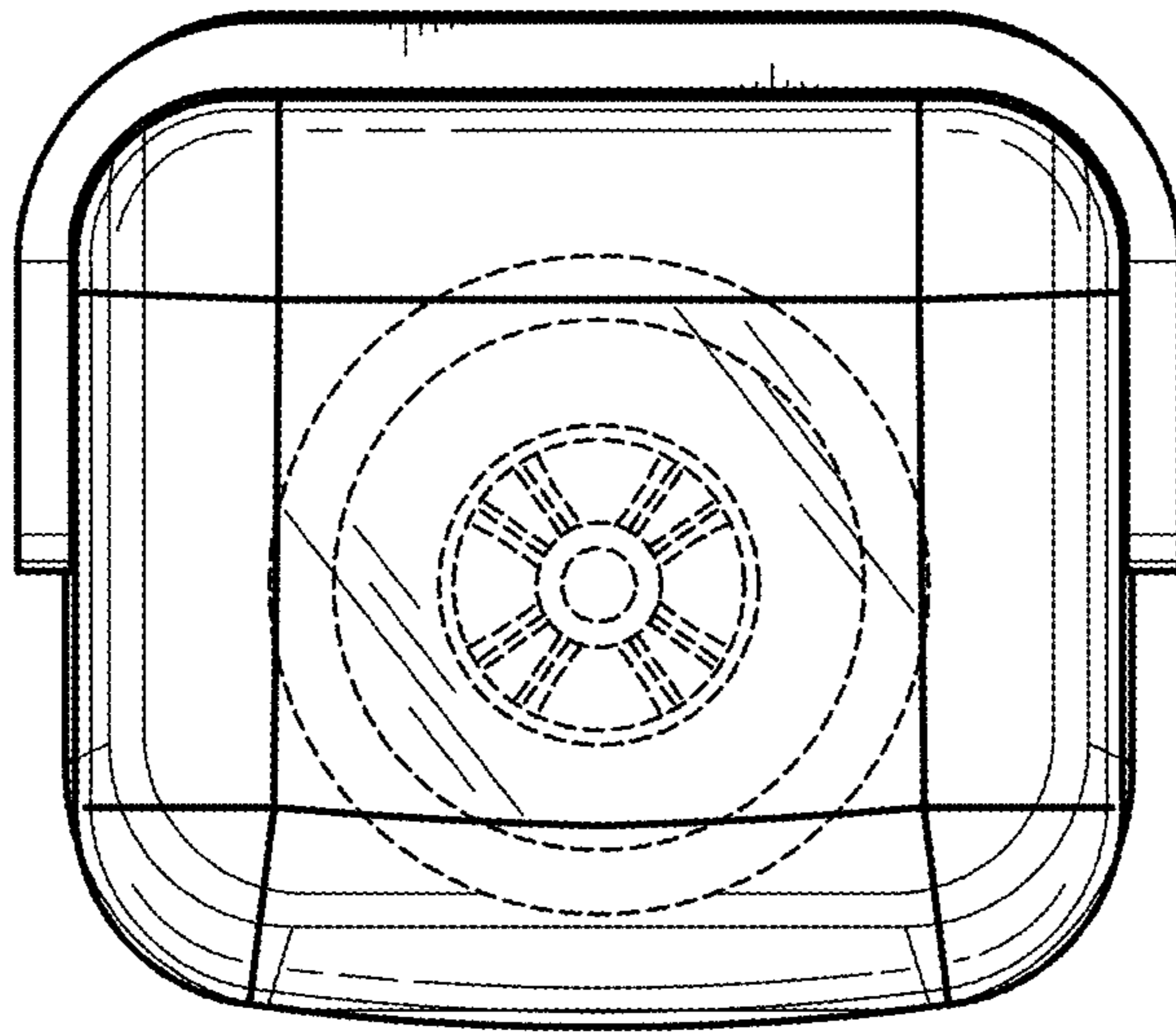


FIG. 6

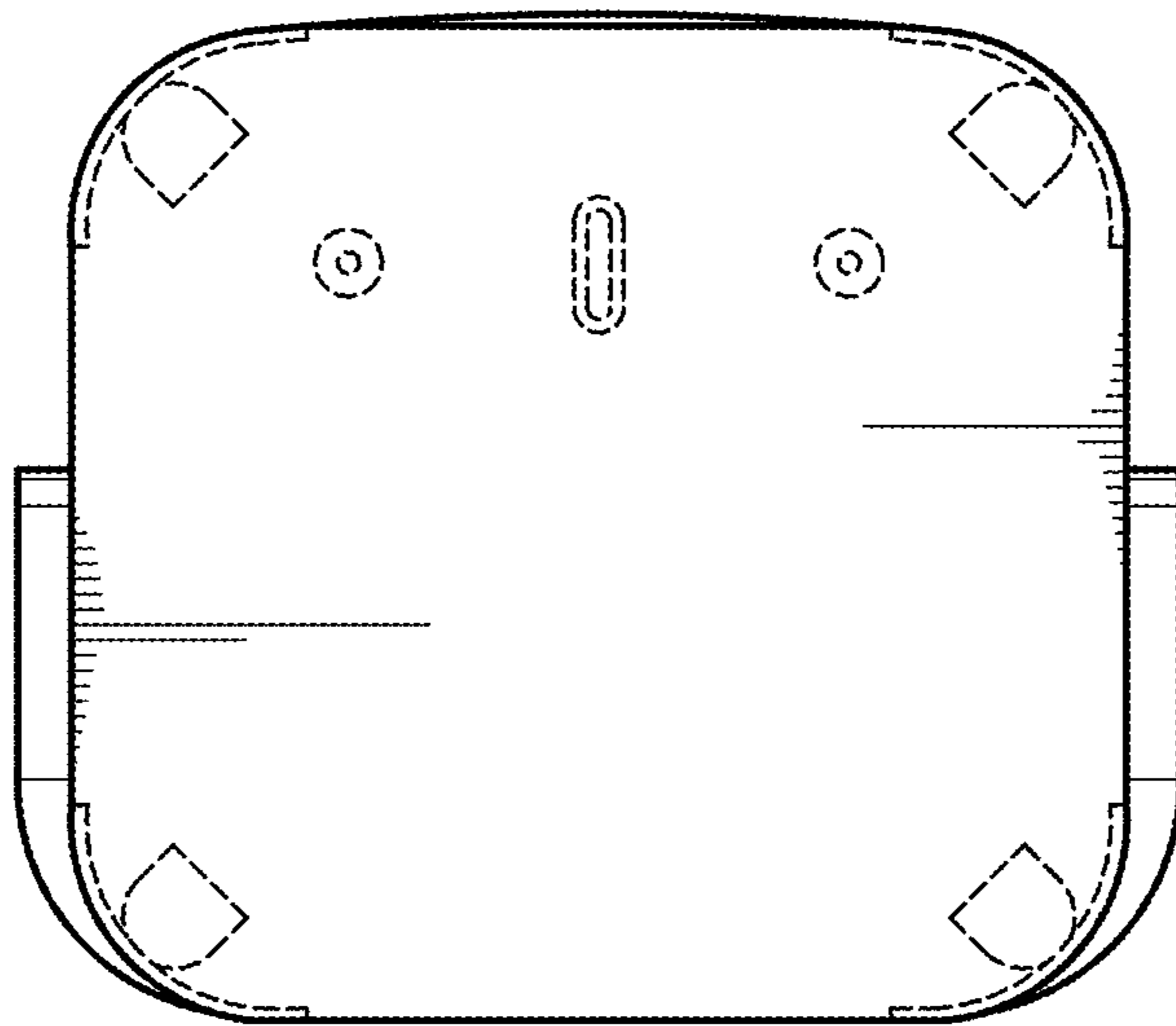


FIG. 7

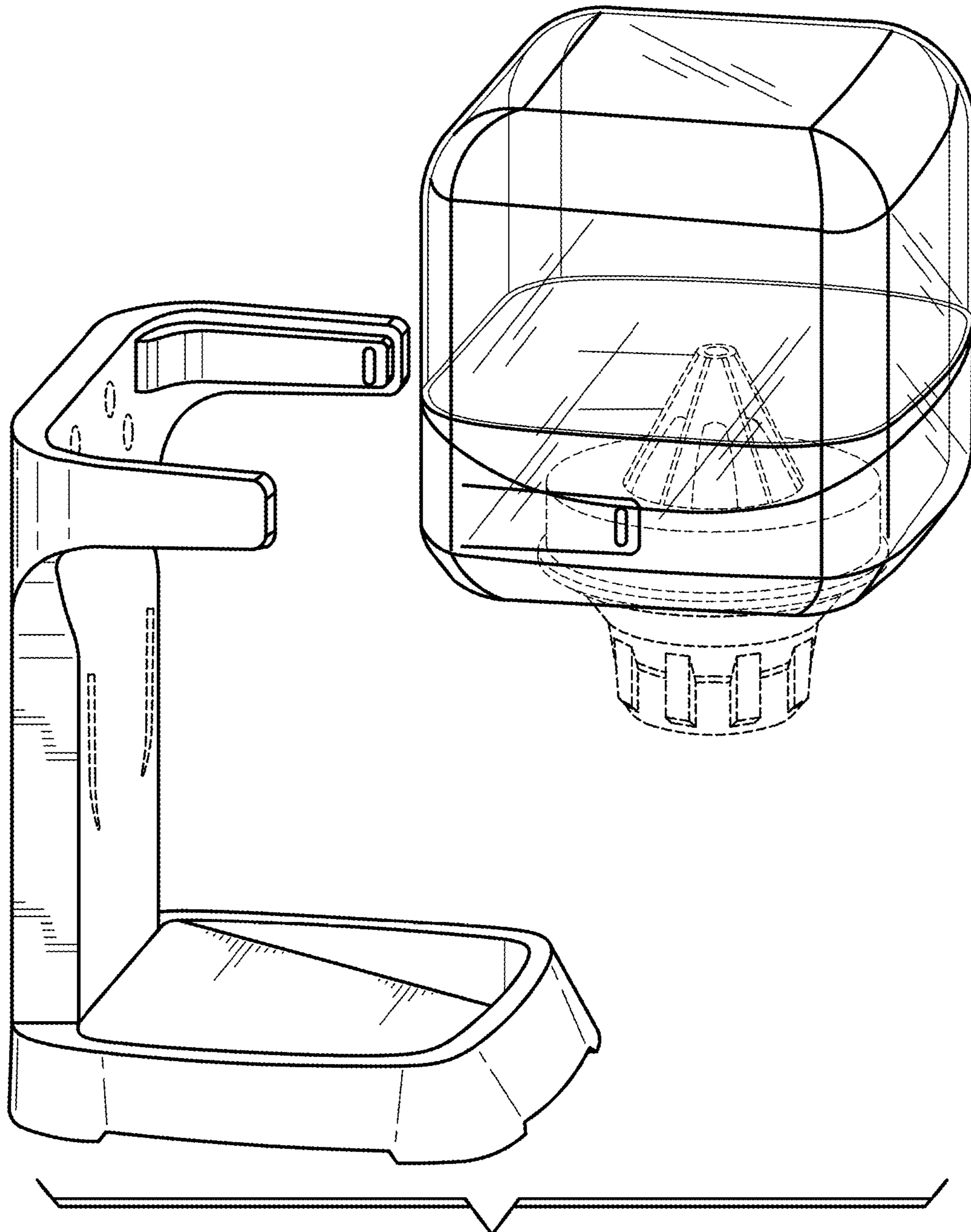


FIG. 8

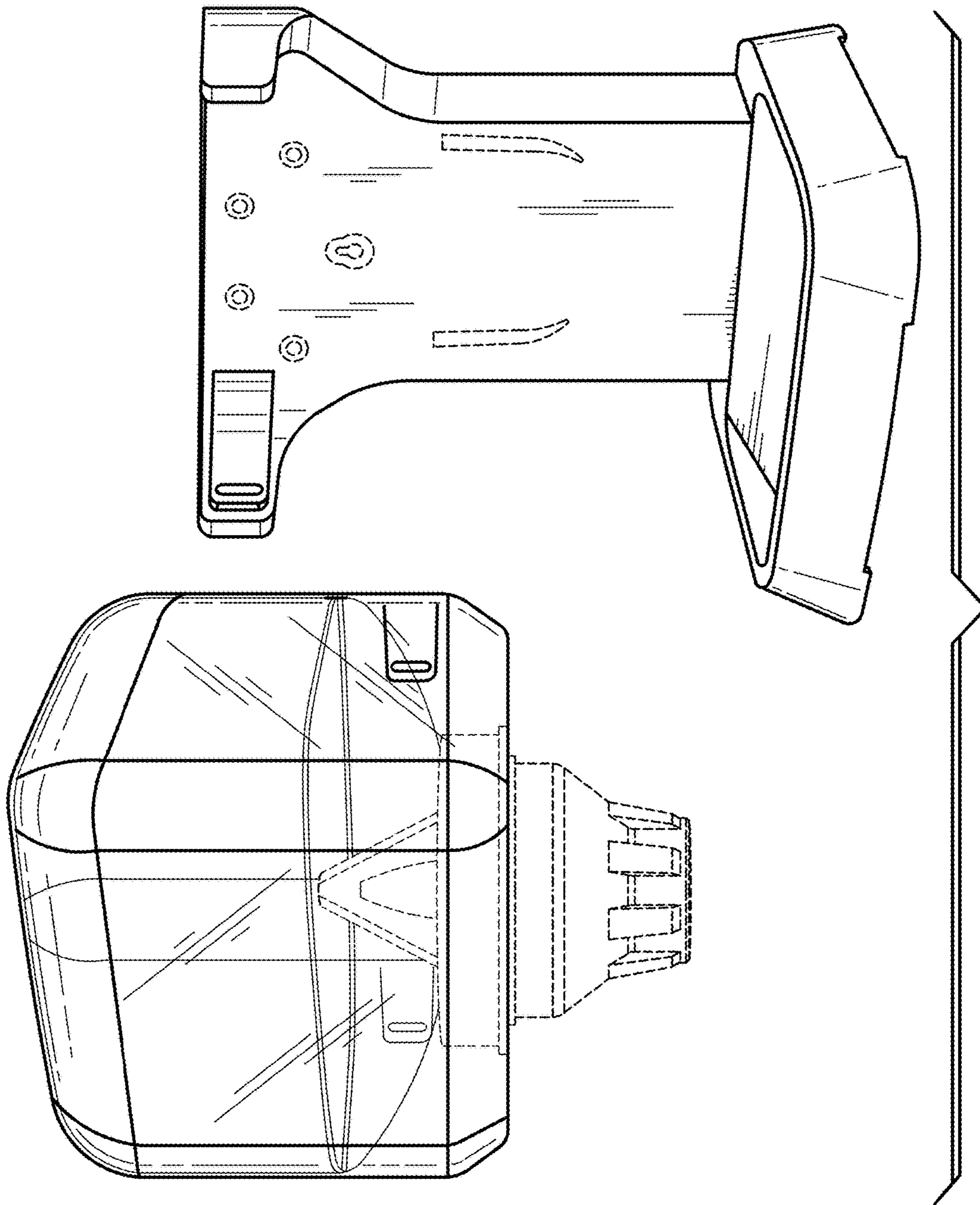


FIG. 9

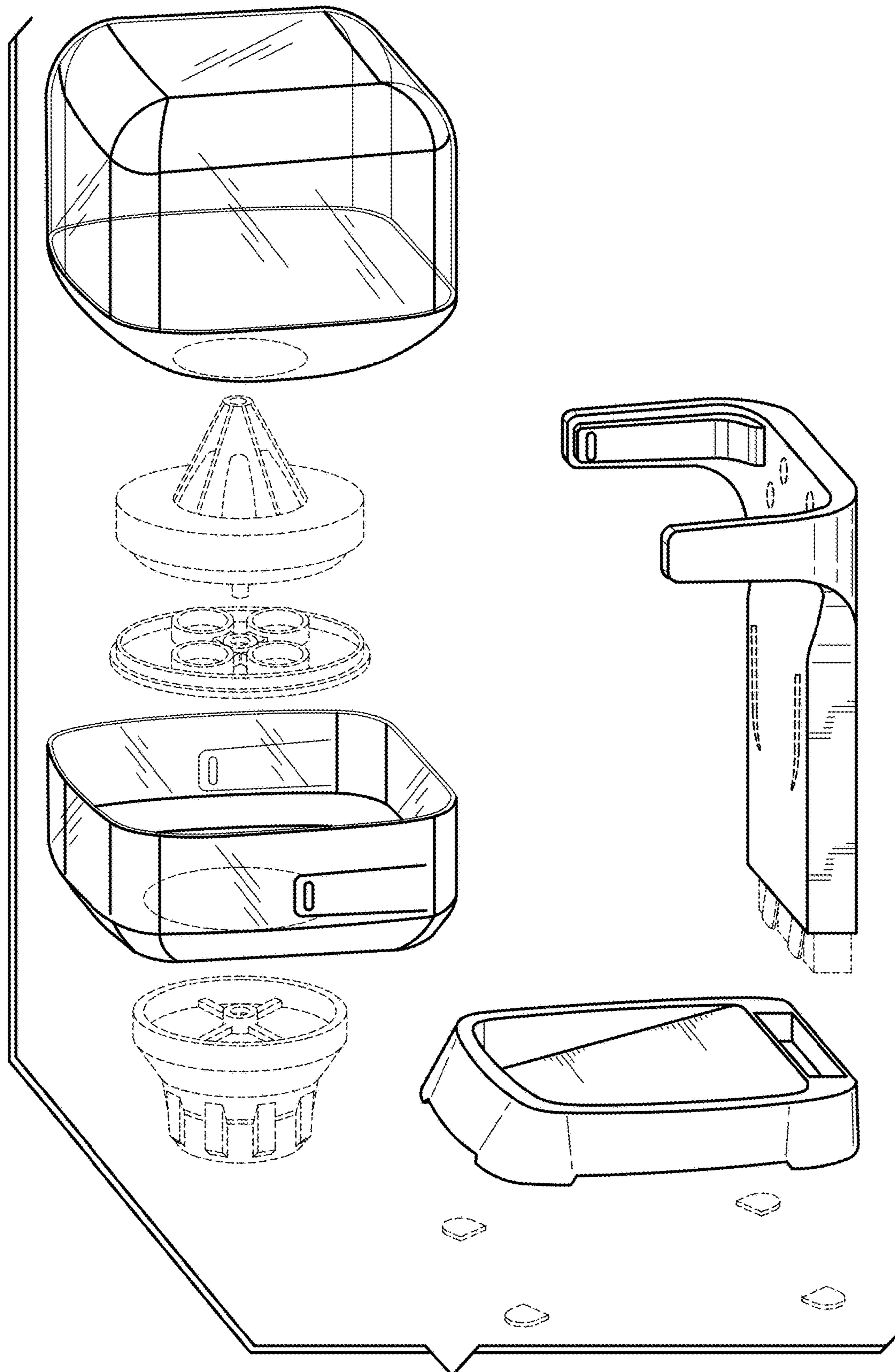


FIG. 10