



US00D798626S

(12) **United States Design Patent**
Cohen

(10) **Patent No.:** **US D798,626 S**

(45) **Date of Patent:** **** Oct. 3, 2017**

(54) **CHAIR**

(71) Applicant: **Avi Cohen**, Holon (IL)

(72) Inventor: **Avi Cohen**, Holon (IL)

(73) Assignee: **ARGAMAN METAL LTD.**, Holon (IL)

(**) Term: **14 Years**

(21) Appl. No.: **29/500,590**

(22) Filed: **Aug. 26, 2014**

(30) **Foreign Application Priority Data**

Feb. 26, 2014 (EP) 002412478-0001

(51) **LOC (10) Cl.** **06-01**

(52) **U.S. Cl.**

USPC **D6/376; D6/380**

(58) **Field of Classification Search**

USPC D6/334-336, 368, 371-373, 374, 375,
D6/376, 379, 380, 716, 716.1, 716.3,
D6/716.4

CPC A47C 3/04; A47C 4/02; A47C 4/03; A47C
4/04; A47C 4/18; A47C 5/04; A47C 5/10;
A47C 5/12

See application file for complete search history.

(56) **References Cited**

U.S. PATENT DOCUMENTS

D485,084 S * 1/2004 Bales D6/379
D505,801 S * 6/2005 Cesaroni D6/379

D515,331 S * 2/2006 Piretti D6/376
D586,577 S * 2/2009 Koh D6/376
D600,935 S * 9/2009 Koh D6/374
D600,936 S * 9/2009 Koh D6/376
D638,232 S * 5/2011 Roy D6/376
D668,883 S * 10/2012 Koh D6/376
D672,581 S * 12/2012 Piretti D6/376
D673,395 S * 1/2013 Piretti D6/376
D673,396 S * 1/2013 Piretti D6/376
D674,618 S * 1/2013 Petrick D6/376
D686,833 S * 7/2013 Chan D6/376

* cited by examiner

Primary Examiner — Mimosa De

(74) *Attorney, Agent, or Firm* — Guy Levi; The IP Law Firm of Guy Levi, LLC

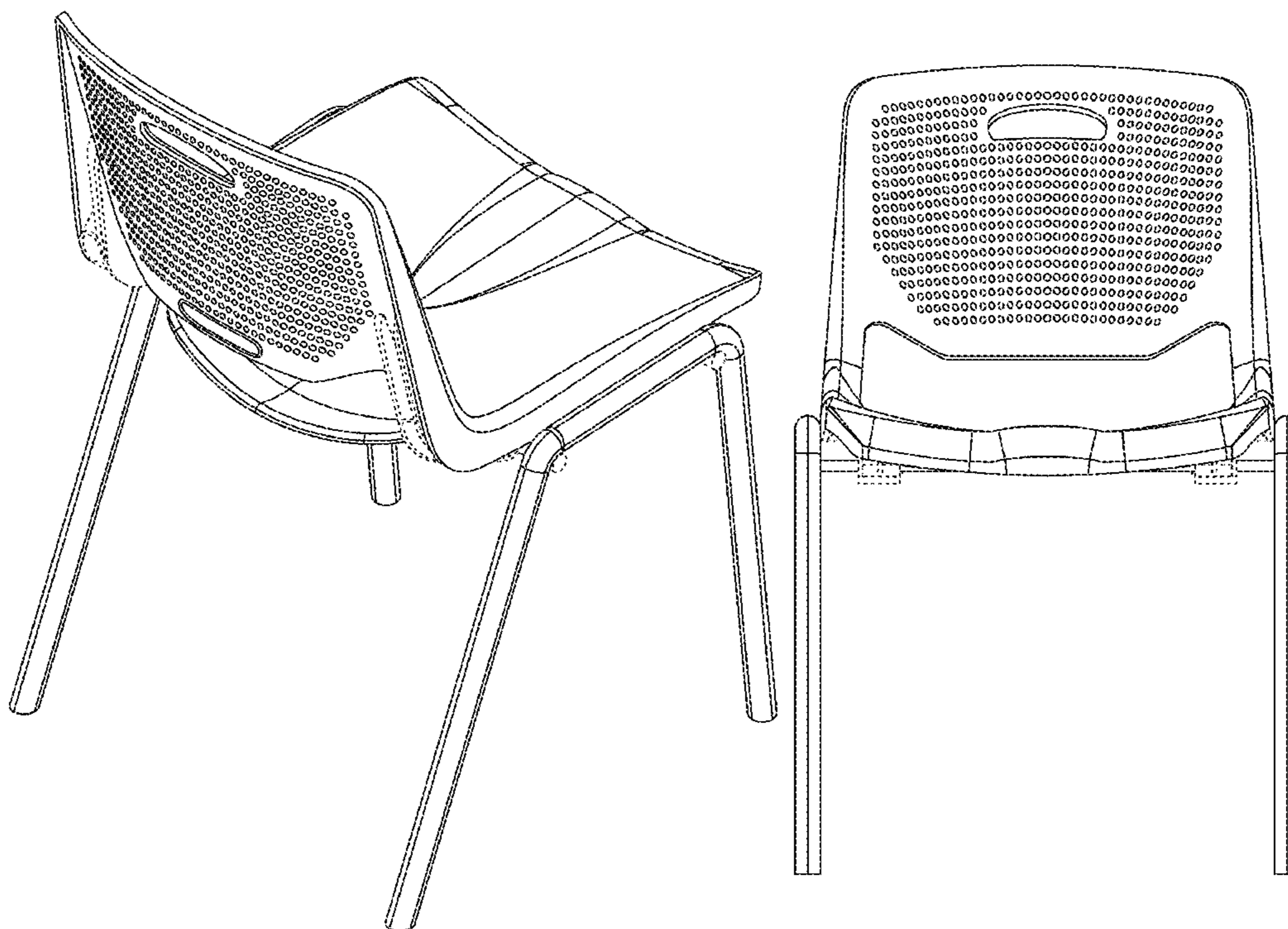
(57) **CLAIM**

I claim, the ornamental design for a chair, as shown and described.

DESCRIPTION

FIG. 1, is a top right perspective view of the chair, showing my new design;
FIG. 2, is a front elevation view thereof;
FIG. 3, is a rear elevation view thereof;
FIG. 4, is a right side elevation view thereof;
FIG. 5, is a left side elevation view thereof;
FIG. 6, is a top plan view thereof; and,
FIG. 7, is a bottom plan view thereof.
The dashed lines shown in FIGS. 1-5, and 7, for example the cross support bars of the chair in FIG. 7, indicate environmental structures and as such, do not form a part of the claimed design.

1 Claim, 7 Drawing Sheets



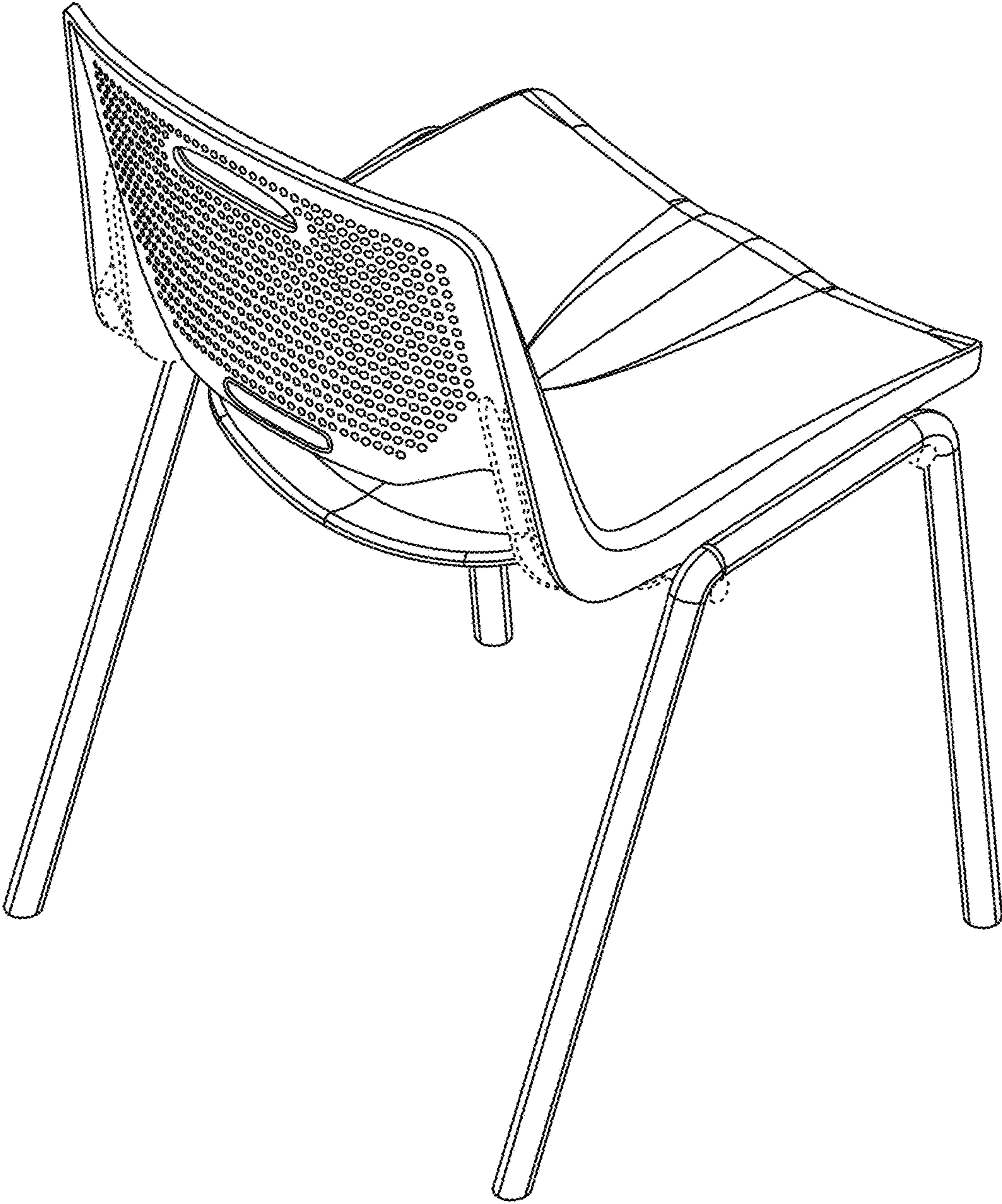


FIG. 1

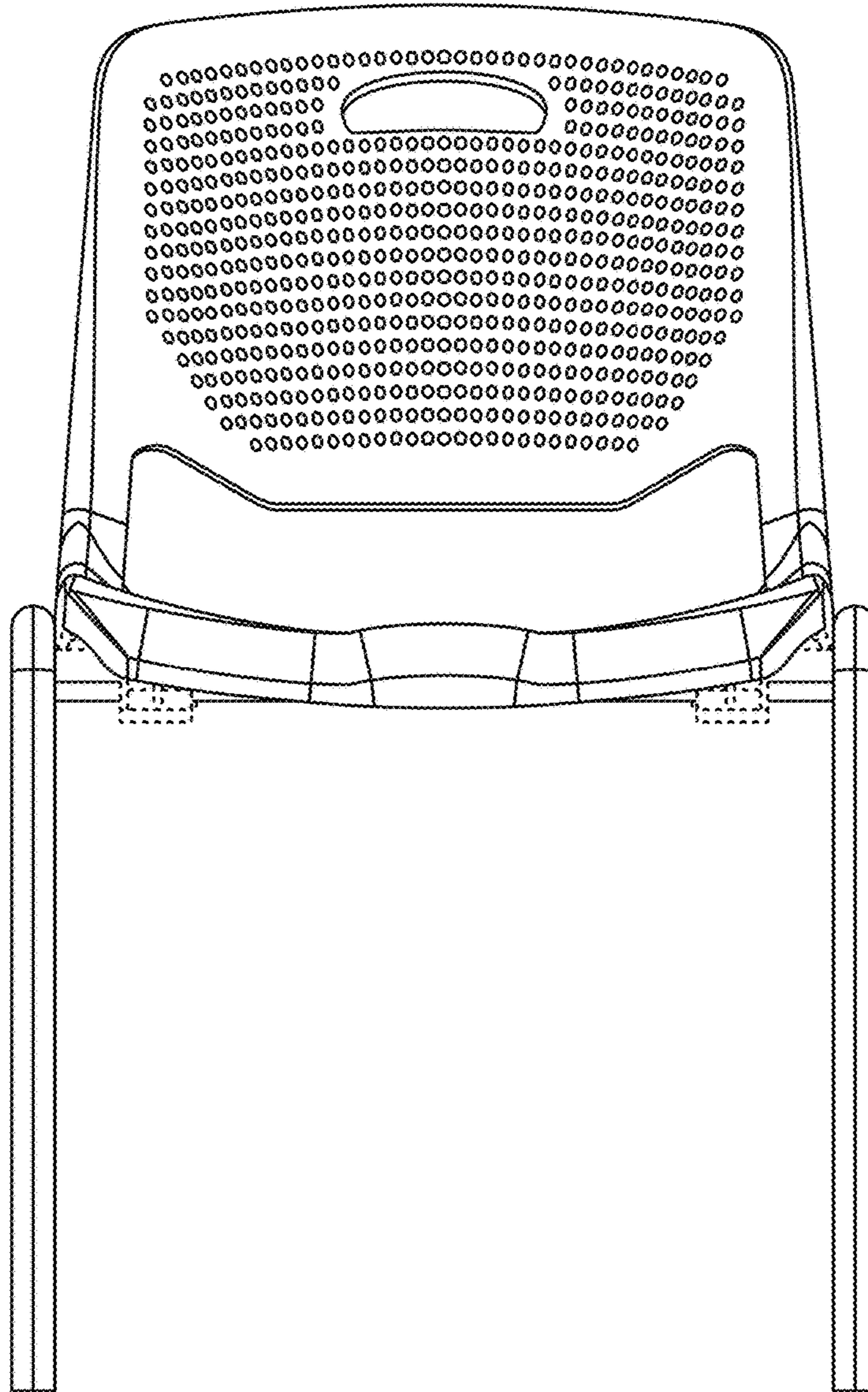


FIG. 2

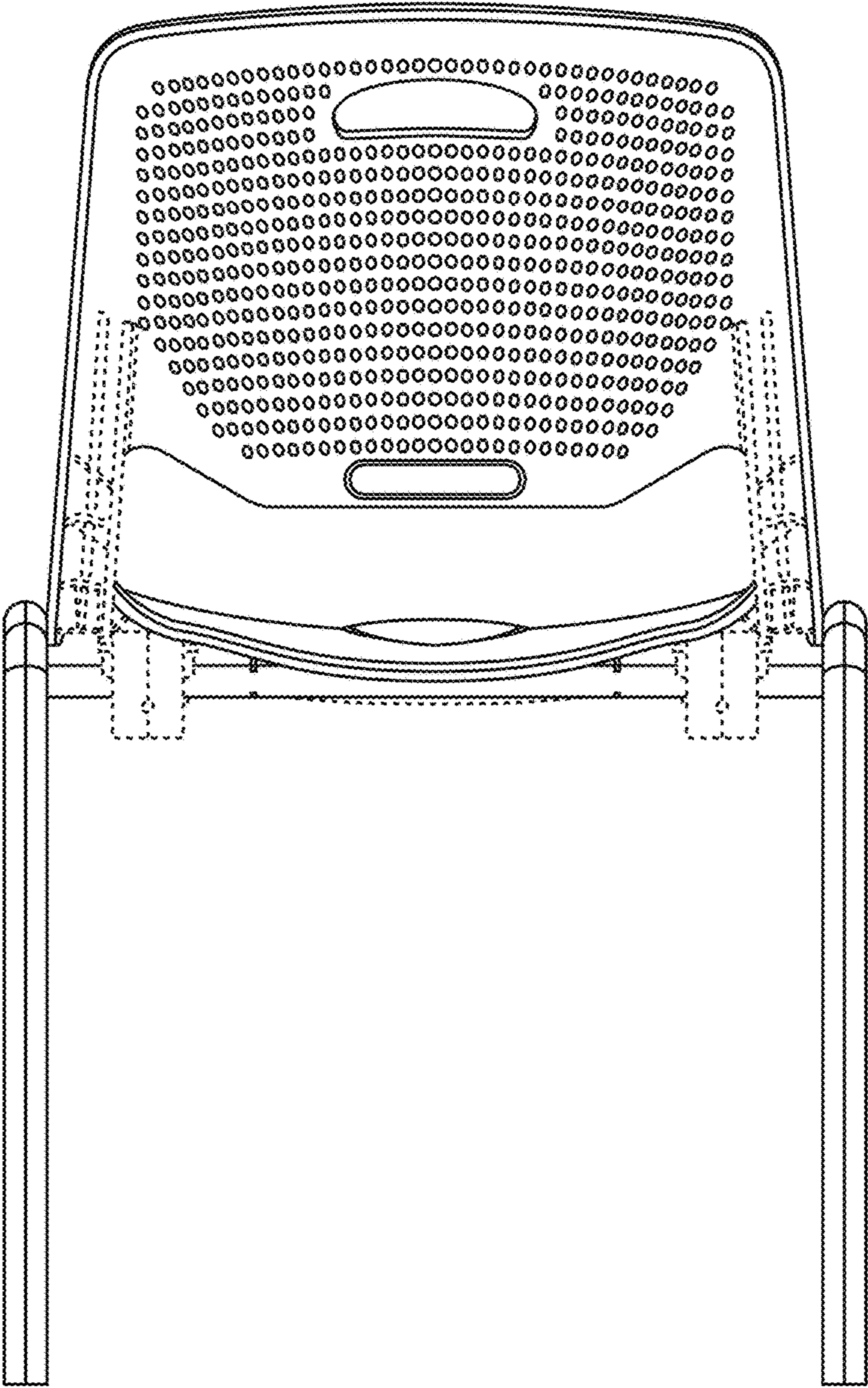


FIG. 3

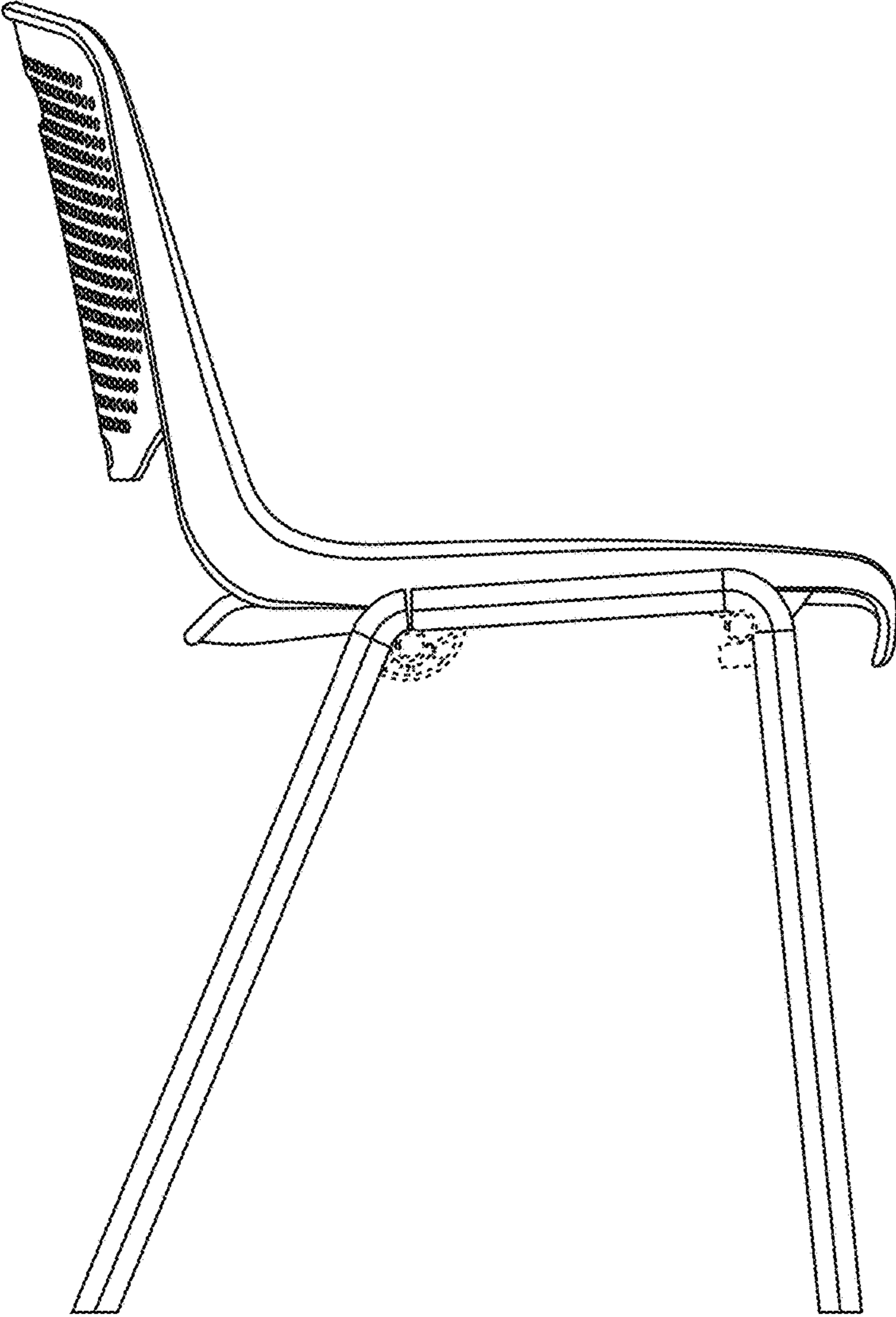


FIG. 4

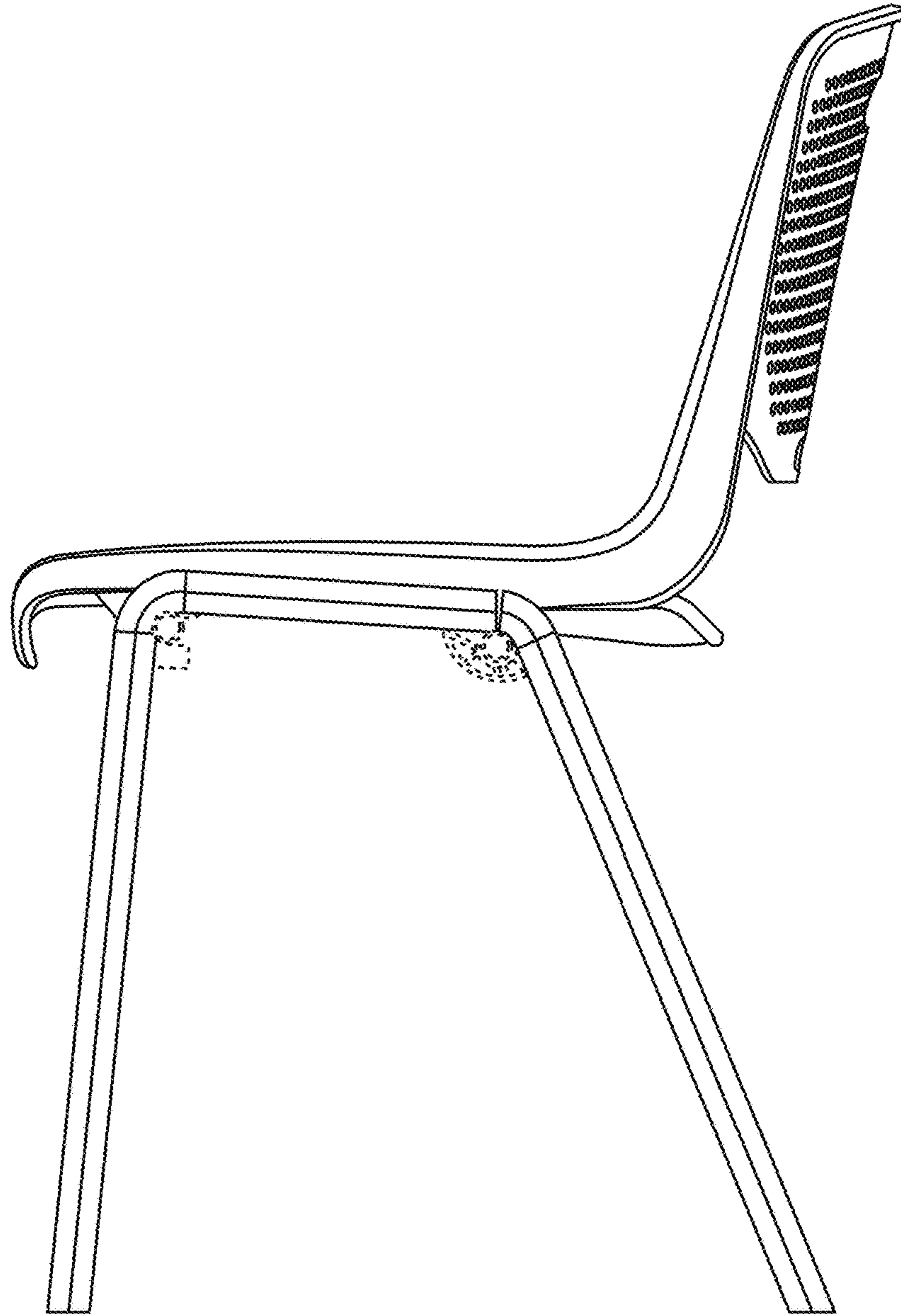


FIG. 5

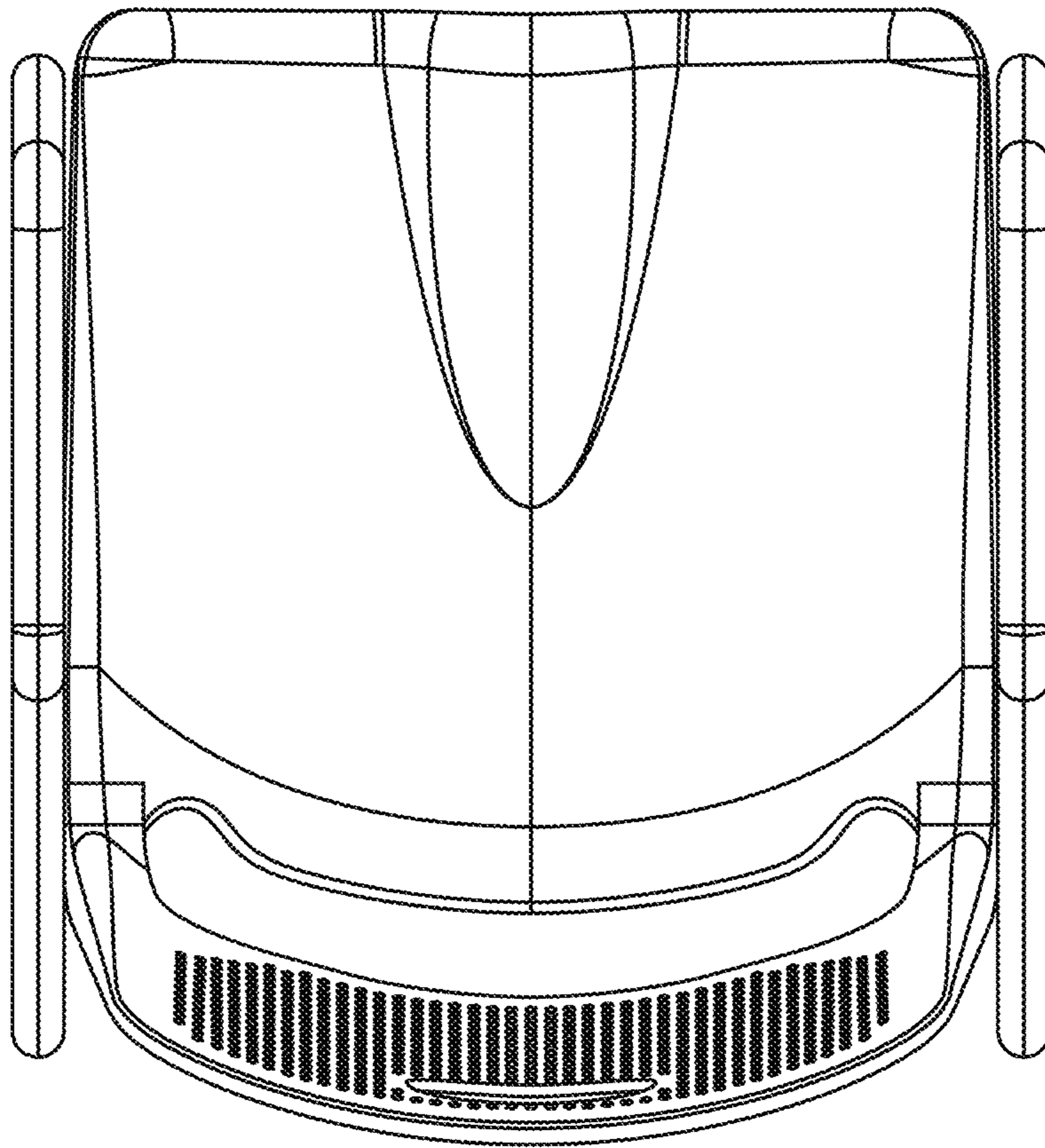


FIG. 6

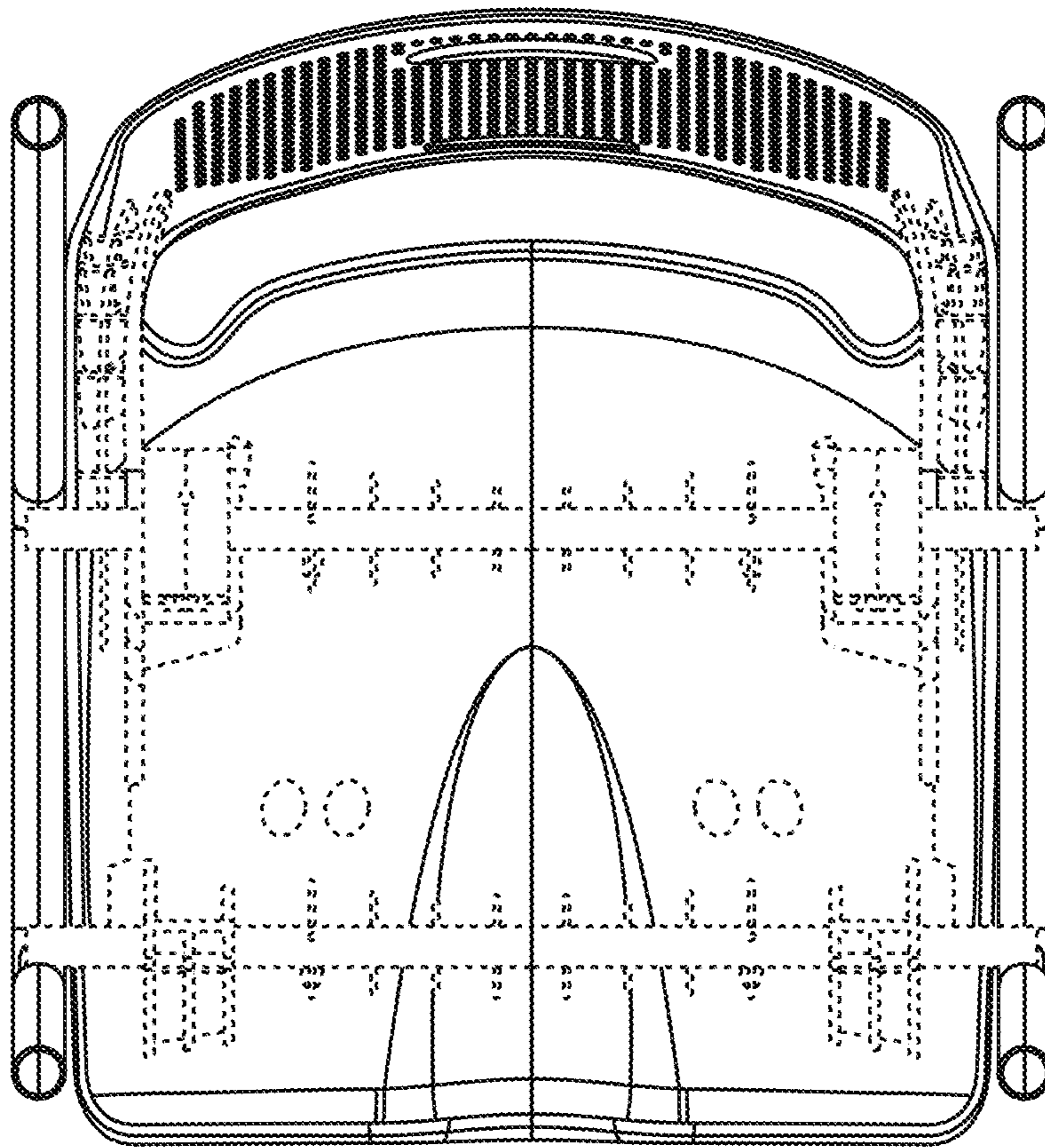


FIG. 7