



US00D798625S

(12) **United States Design Patent** (10) **Patent No.:** **US D798,625 S**
Baylar (45) **Date of Patent:** **** Oct. 3, 2017**

(54) **CHAIR**
(71) Applicant: **HUDSON FURNITURE, INC.**, New York, NY (US)
(72) Inventor: **Barlas Baylar**, New York, NY (US)
(73) Assignee: **HUDSON FURNITURE, INC.**, New York, NY (US)
(**) Term: **15 Years**
(21) Appl. No.: **29/557,248**
(22) Filed: **Mar. 7, 2016**
(51) **LOC (10) Cl.** **06-01**
(52) **U.S. Cl.**
USPC **D6/373**
(58) **Field of Classification Search**
USPC D6/373, 334-336, 371, 374, 375, 376, D6/379, 380, 716, 716.1, 716.4
CPC A47C 3/04; A47C 4/03; A47C 4/02; A47C 5/04
See application file for complete search history.

D689,296 S * 9/2013 Starck D6/375
D698,171 S * 1/2014 Ciocchini D6/375
D728,957 S * 5/2015 Lievore D6/373
D729,538 S * 5/2015 Kotilainen D6/375
D762,999 S * 8/2016 Huang D6/375
9,456,693 B1 * 10/2016 Broughton A47B 47/0033
2002/0047298 A1 * 4/2002 Brauning A47C 3/04
297/448.1
2005/0146178 A1 * 7/2005 Hergesell A47C 3/04
297/239
2007/0120406 A1 * 5/2007 Piretti A47C 3/04
297/331
2012/0126596 A1 * 5/2012 Olarte A47C 3/04
297/239
2015/0015051 A1 * 1/2015 Huang A47C 3/04
297/445.1

OTHER PUBLICATIONS

Hudson Furniture website, Chairs—Clive, Aug. 15, 2017, https://hudsonfurnitureinc.com/Chair/Clive/collection.*

* cited by examiner

Primary Examiner — David G Muller
Assistant Examiner — Nathan M Johnston
(74) *Attorney, Agent, or Firm* — Hodgson Russ LLP

(57) **CLAIM**

The ornamental design for a chair, as shown and described.

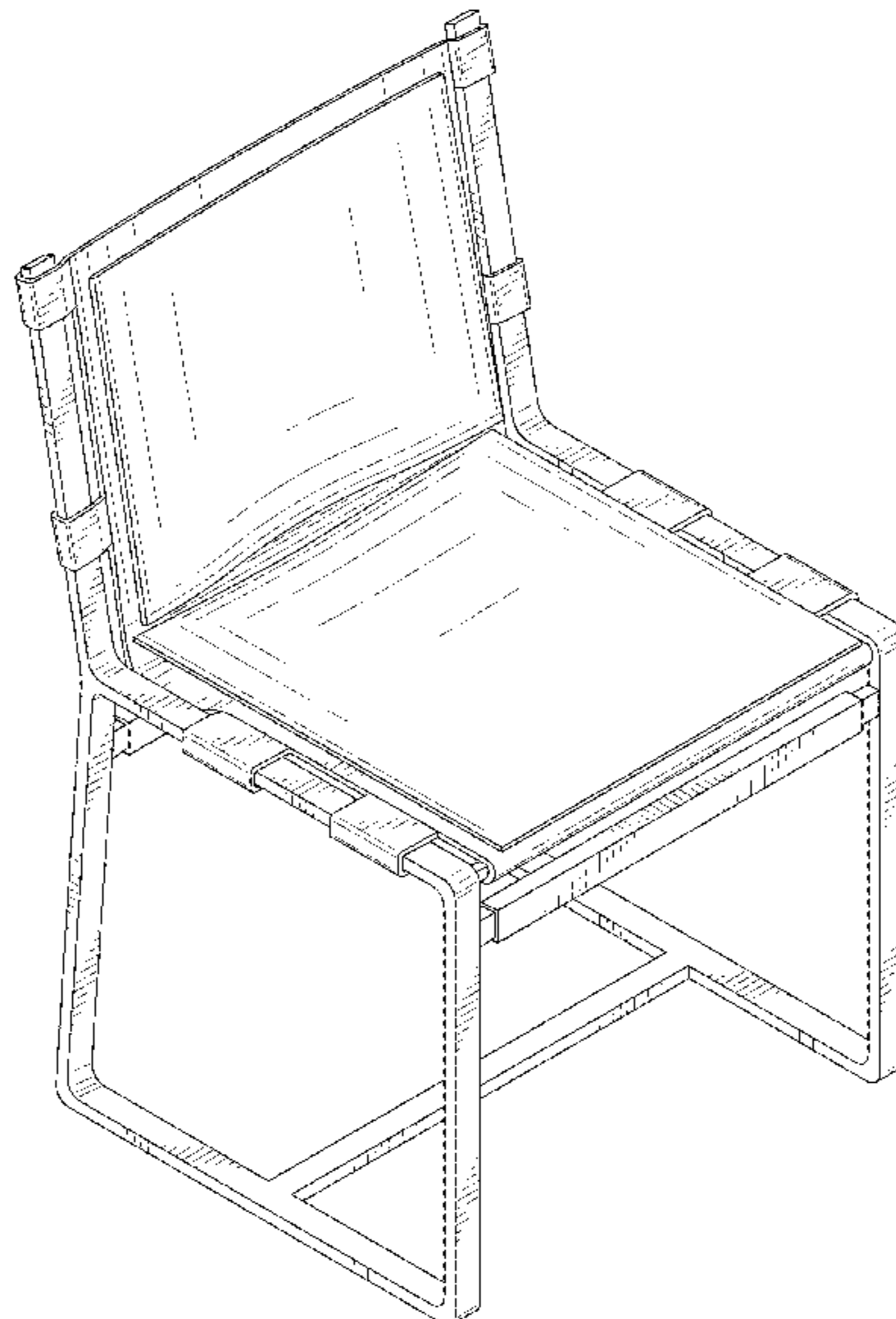
DESCRIPTION

FIG. 1 is a perspective view of a chair showing my new design;
FIG. 2 is a front elevational view thereof;
FIG. 3 is a rear elevational view thereof;
FIG. 4 is a right side elevational view thereof;
FIG. 5 is a left side elevational view thereof;
FIG. 6 is a top view thereof; and,
FIG. 7 is a bottom view thereof.

1 Claim, 7 Drawing Sheets

(56) **References Cited**
U.S. PATENT DOCUMENTS

D357,594 S * 4/1995 Kellen D6/374
D463,149 S * 9/2002 Levy D6/375
D465,100 S * 11/2002 Savini D6/375
D469,970 S * 2/2003 Molteni D6/374
D475,543 S * 6/2003 Savini D6/374
D540,558 S * 4/2007 Neil D6/376
D563,111 S * 3/2008 Lievore D6/375
D576,417 S * 9/2008 Dietrich D6/372
D578,790 S * 10/2008 Ciani D6/380
D580,673 S * 11/2008 Wright D6/374
D593,763 S * 6/2009 Barbieri D6/375
D622,987 S * 9/2010 Kubryk D6/716
D637,831 S * 5/2011 Aubry D6/375
D647,719 S * 11/2011 Kubryk D6/374
D687,239 S * 8/2013 Piretti D6/376



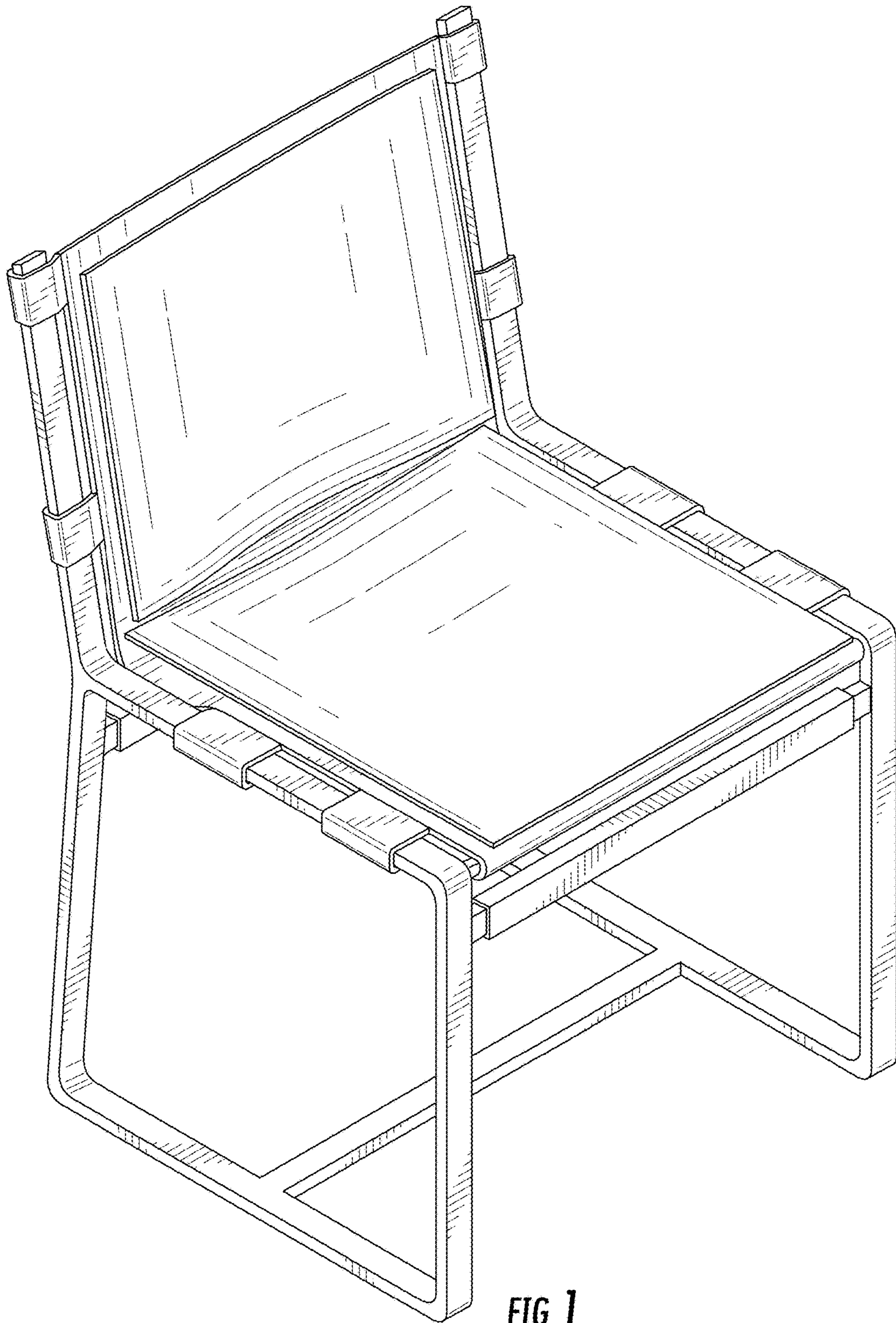


FIG. 1

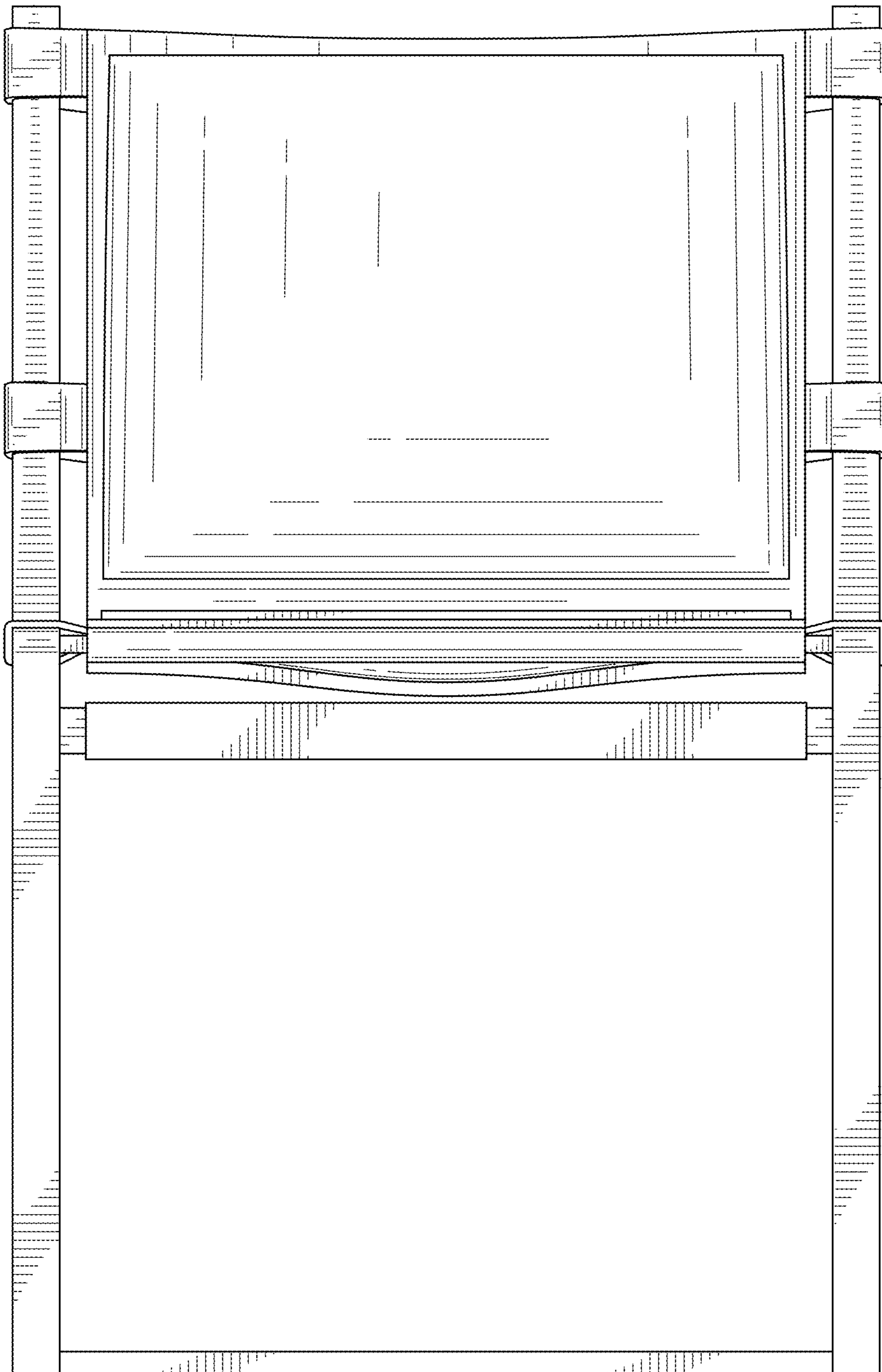


FIG. 2

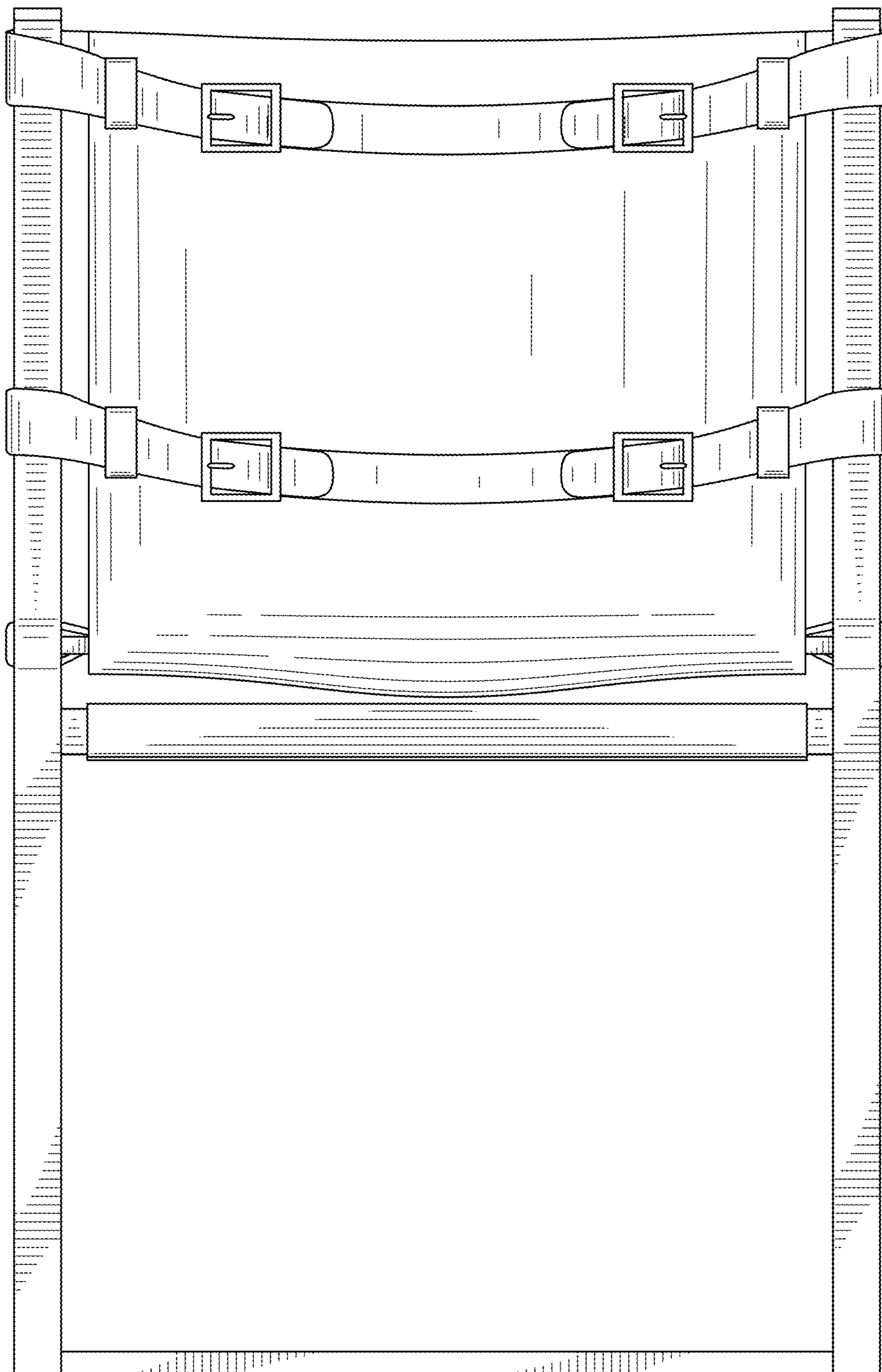


FIG. 3

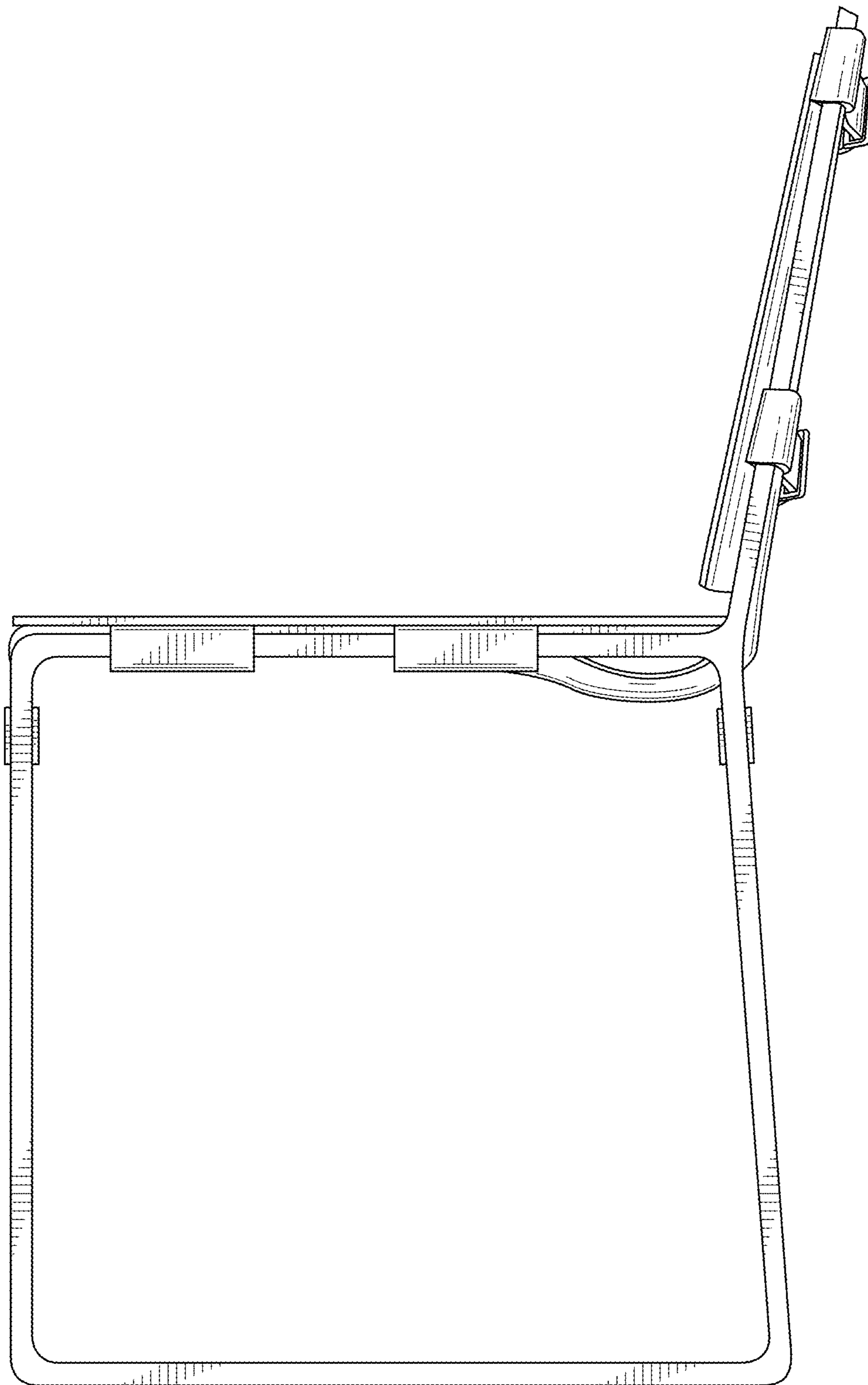


FIG. 4

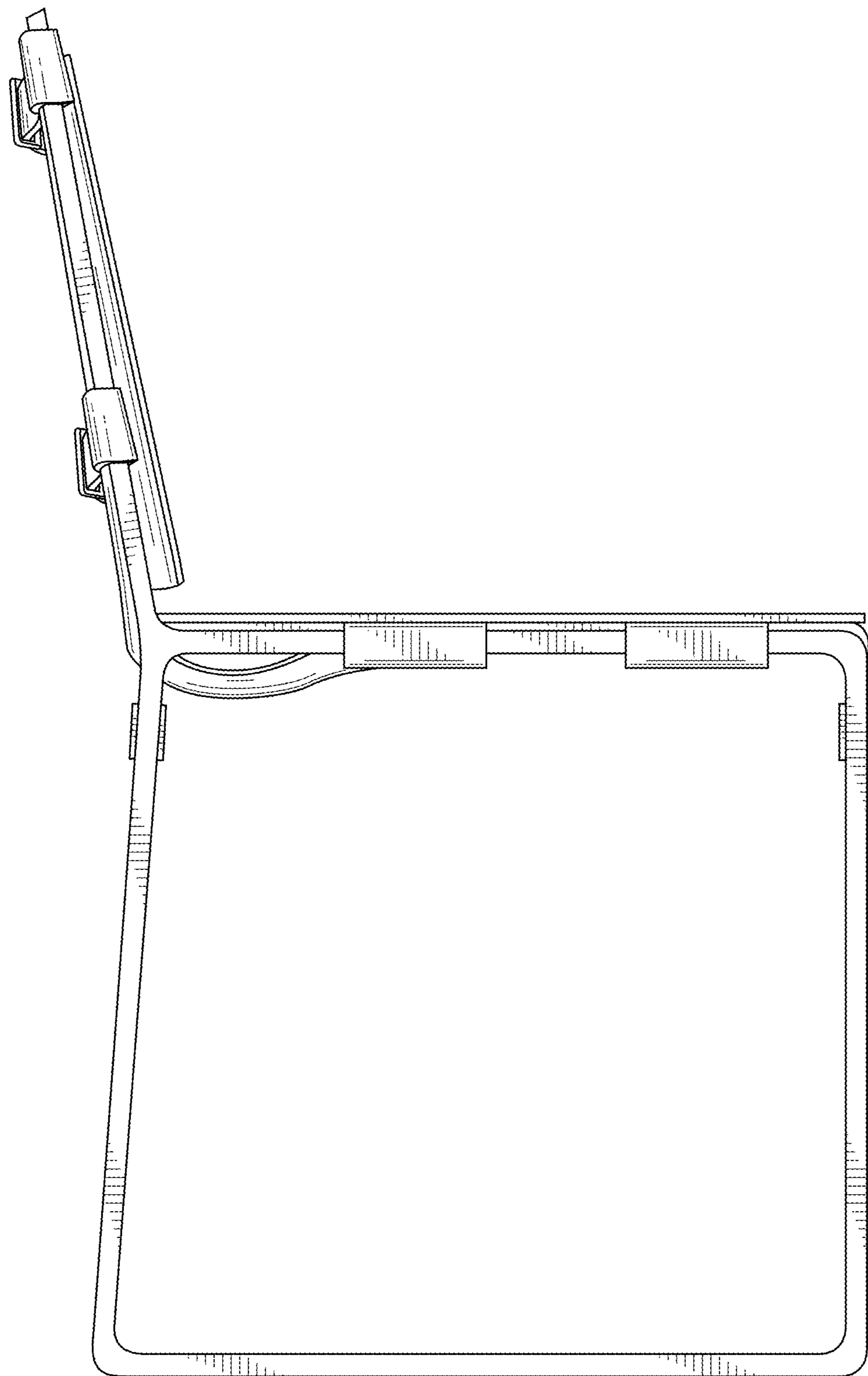


FIG. 5

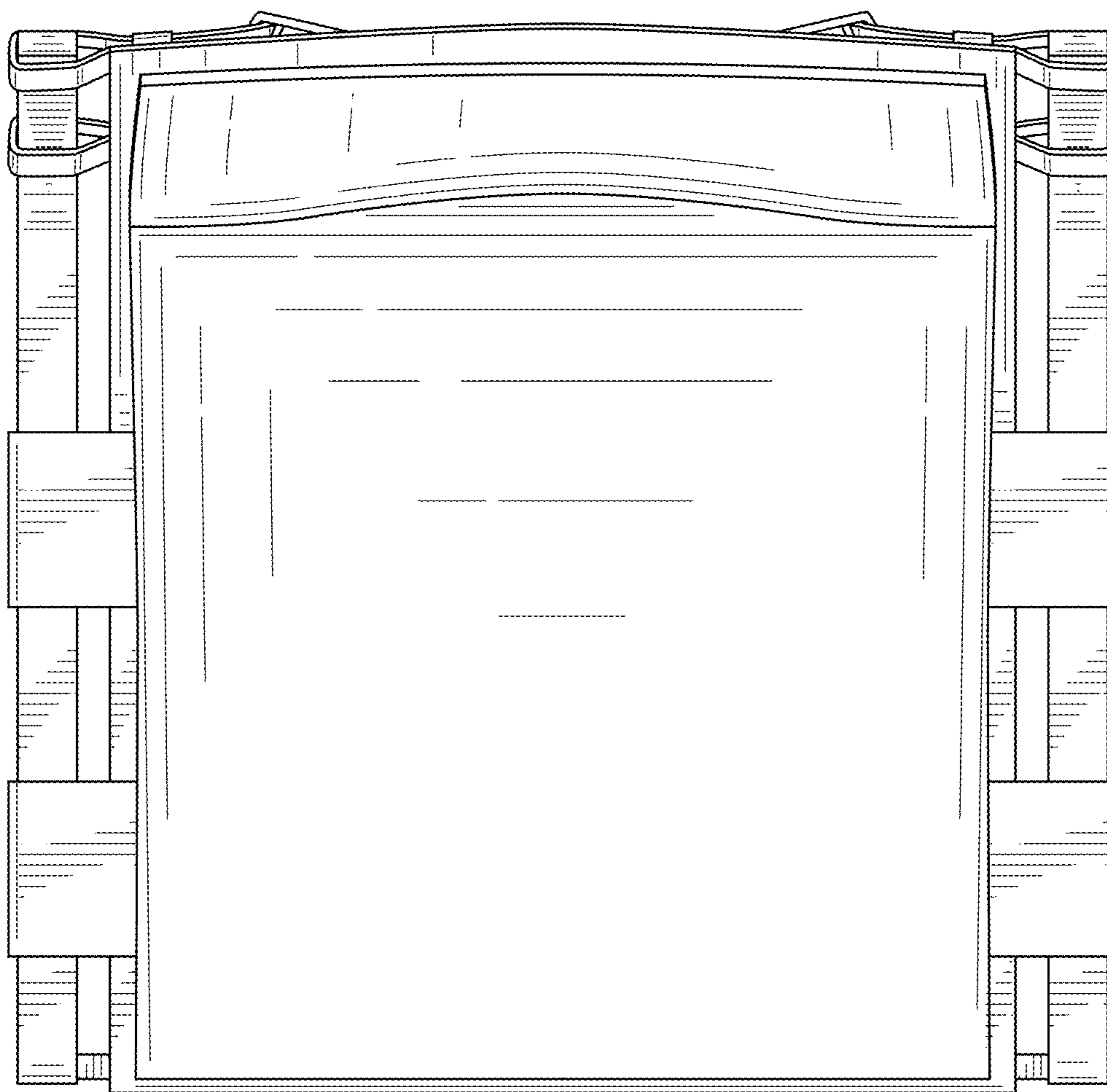


FIG. 6

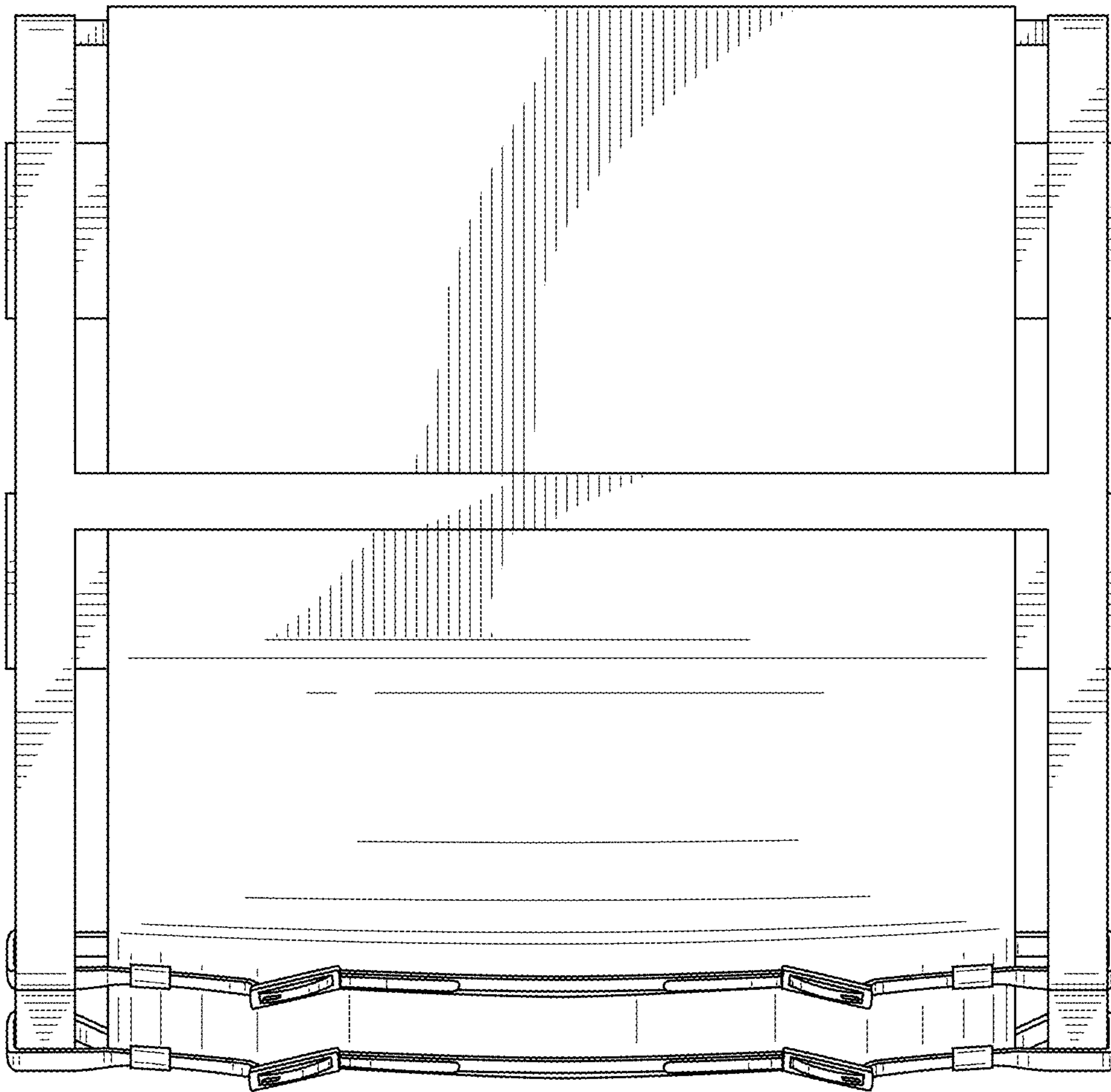


FIG. 7