



US00D798621S

(12) **United States Design Patent**
Cohen

(10) **Patent No.:** **US D798,621 S**

(45) **Date of Patent:** **** *Oct. 3, 2017**

(54) **STOOL**

(71) Applicant: **Cohen Concepts, Inc.**, Palm Bay, FL (US)

(72) Inventor: **Howard Cohen**, Indialantic, FL (US)

(73) Assignee: **Cohen Concepts Inc.**, Palm Bay, FL (US)

(*) Notice: This patent is subject to a terminal disclaimer.

(**) Term: **15 Years**

(21) Appl. No.: **29/536,117**

(22) Filed: **Aug. 13, 2015**

(51) **LOC (10) Cl.** **06-01**

(52) **U.S. Cl.**
USPC **D6/349; D6/370**

(58) **Field of Classification Search**
USPC D6/334-335, 349-355, 358, 360, D6/362-365, 370, 374, 381, 691, 691.1, D6/691.4, 692, 693, 694, 694.2
CPC .. A47C 9/00; A47C 9/02; A47C 9/002; A47C 9/007; A47C 9/025; A47C 9/10; A47C 11/00; A47C 12/00; A47C 13/00; A47C 16/02; A47C 5/02; A47C 5/04; A47C 5/043; A47C 7/00-7/006; A47C 7/02; A47B 3/00; A47B 3/02; A47B 3/04; A47B 3/12
See application file for complete search history.

(56) **References Cited**

U.S. PATENT DOCUMENTS

D159,947 S * 9/1950 Bell D6/349
D263,910 S * 4/1982 Robertson D6/691.1
D303,877 S * 10/1989 Norton D6/349
D350,452 S * 9/1994 Ward D6/691.1
D516,842 S * 3/2006 Cross D6/691.1
D540,070 S * 4/2007 Bibi D21/397

D555,919 S * 11/2007 Baade D6/349
D703,450 S * 4/2014 Gelman D6/349
D717,053 S * 11/2014 Gelman D6/349
D718,942 S * 12/2014 Cohen D6/349
D721,894 S * 2/2015 Cohen D6/349
D722,780 S * 2/2015 Cohen D6/349
D728,980 S * 5/2015 Asner D6/691.1
D736,530 S * 8/2015 Cohen D6/349
D764,191 S * 8/2016 Gelman D6/349

(Continued)

OTHER PUBLICATIONS

Asia Buru 18" Teak Shower Bench 447. [online] Retrieved Sep. 14, 2016 from URL: <<http://www.aquateak.com/all-assembled-teak-products/asia-buru-18-teak-shower-bench-from-the-asia-collection-447>>.*

(Continued)

Primary Examiner — Vy Koenig

(74) *Attorney, Agent, or Firm* — Stephen C. Thomas

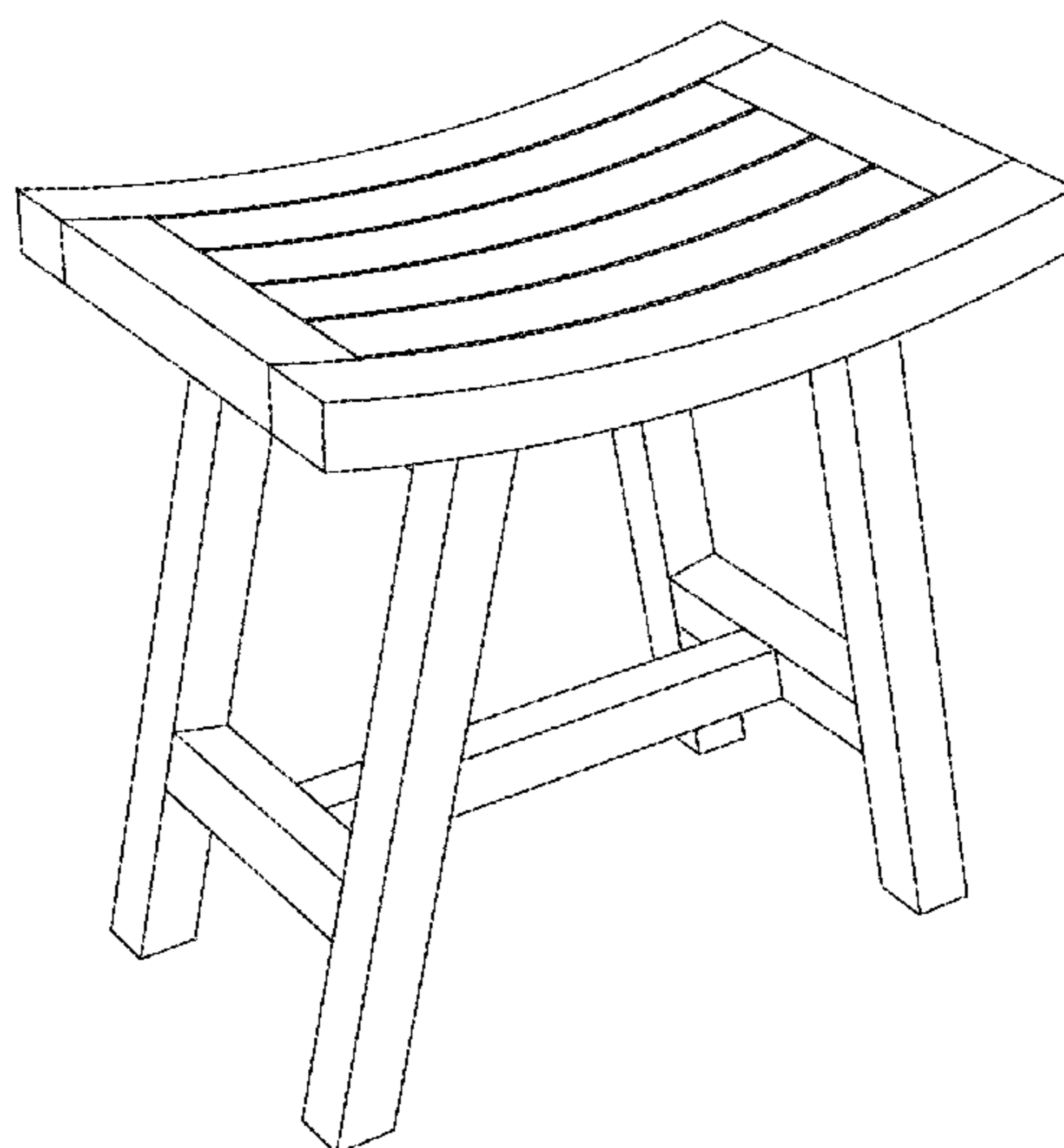
(57) **CLAIM**

The ornamental design for a stool, as shown.

DESCRIPTION

FIG. 1 depicts a top perspective view of the stool of the invention.
FIG. 2 depicts a bottom perspective view of the stool of the invention.
FIG. 3 depicts a front orthogonal view of the stool of the invention.
FIG. 4 depicts an orthogonal left side view of the stool of the invention.
FIG. 5 depicts an orthogonal right side view of the stool of the invention.
FIG. 6 depicts an orthogonal top view of the stool of the invention; and,
FIG. 7 depicts an orthogonal bottom view of the stool of the invention.

1 Claim, 7 Drawing Sheets



(56)

References Cited

U.S. PATENT DOCUMENTS

D764,192 S * 8/2016 Gelman D6/349

OTHER PUBLICATIONS

18" Asia Lotus Teak Shower Bench. [online] Retrieved Sep. 14, 2016 from URL: <<http://www.aquateak.com/asia-shower-benches-stools/18-asia-lotus-teak-shower-bench/>>.*

* cited by examiner

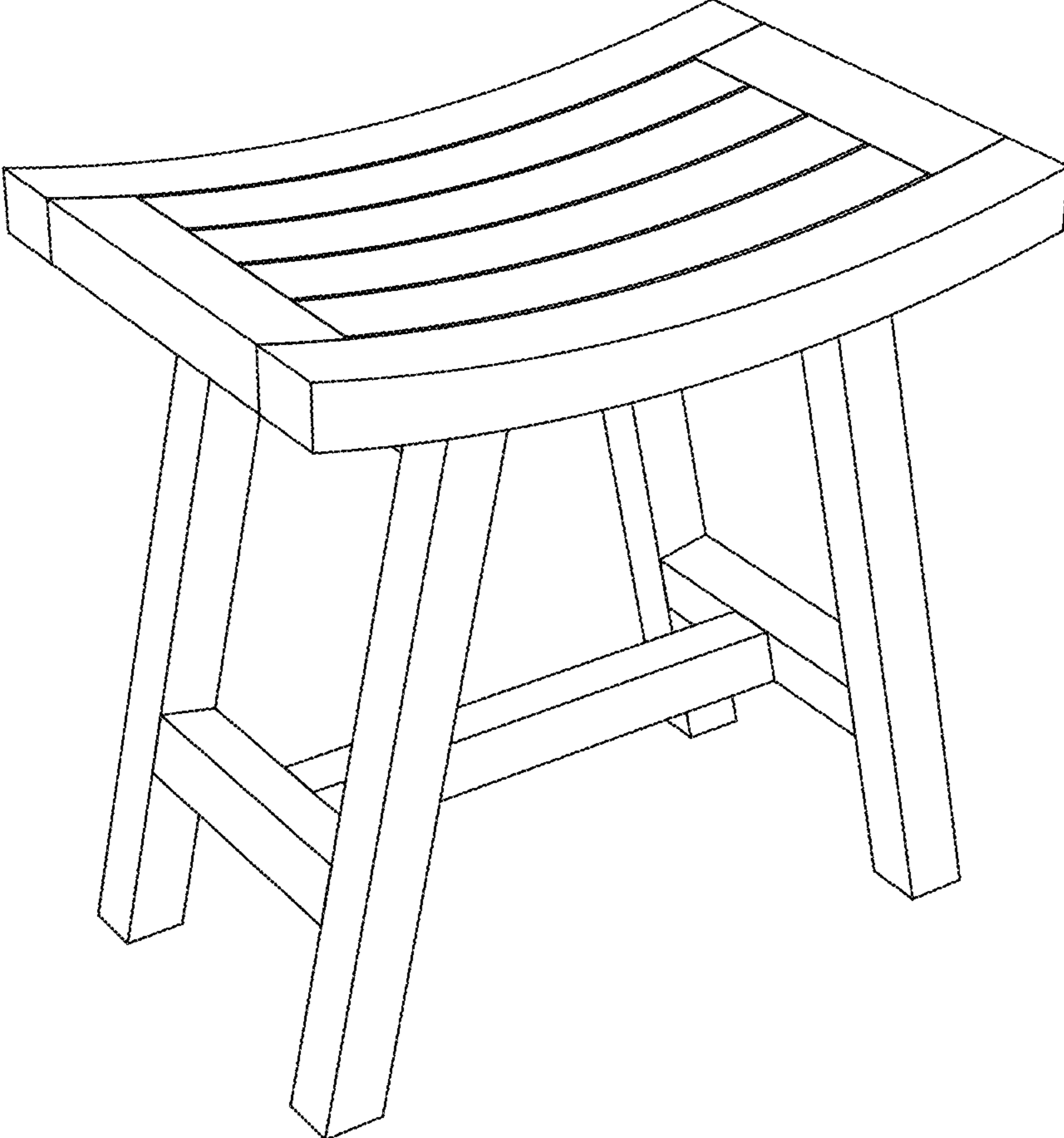


Fig. 1

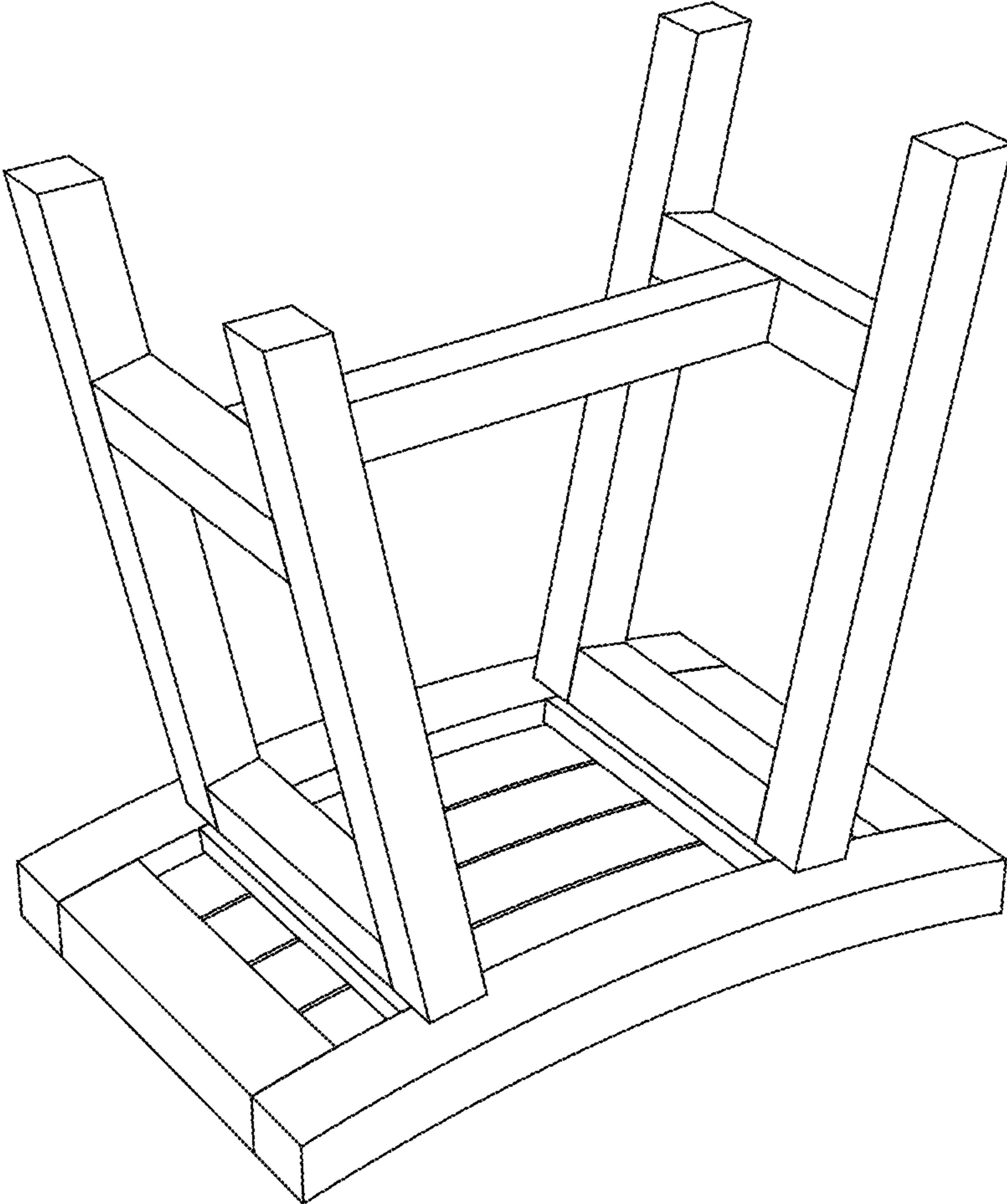


Fig. 2

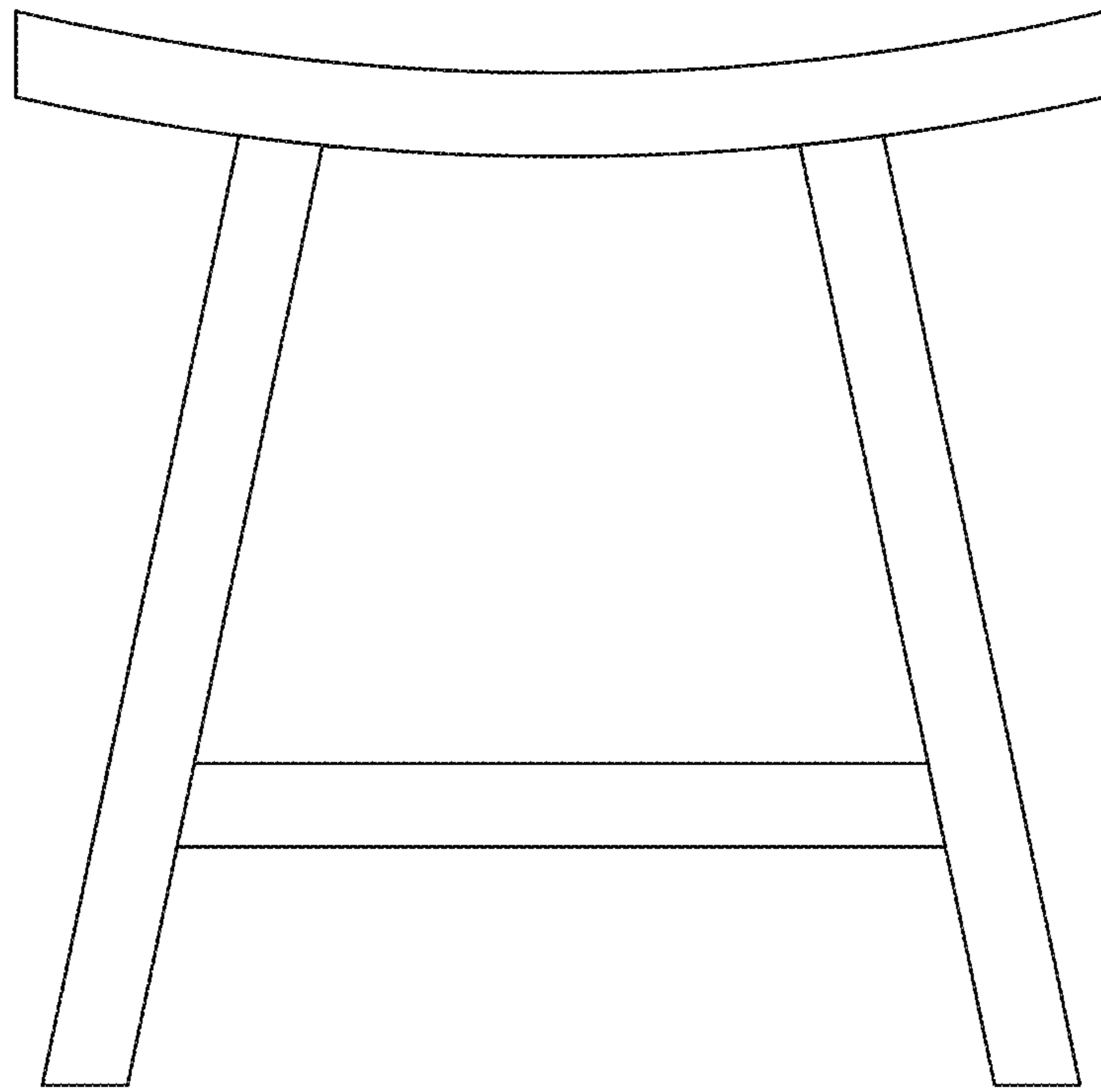


Fig. 3

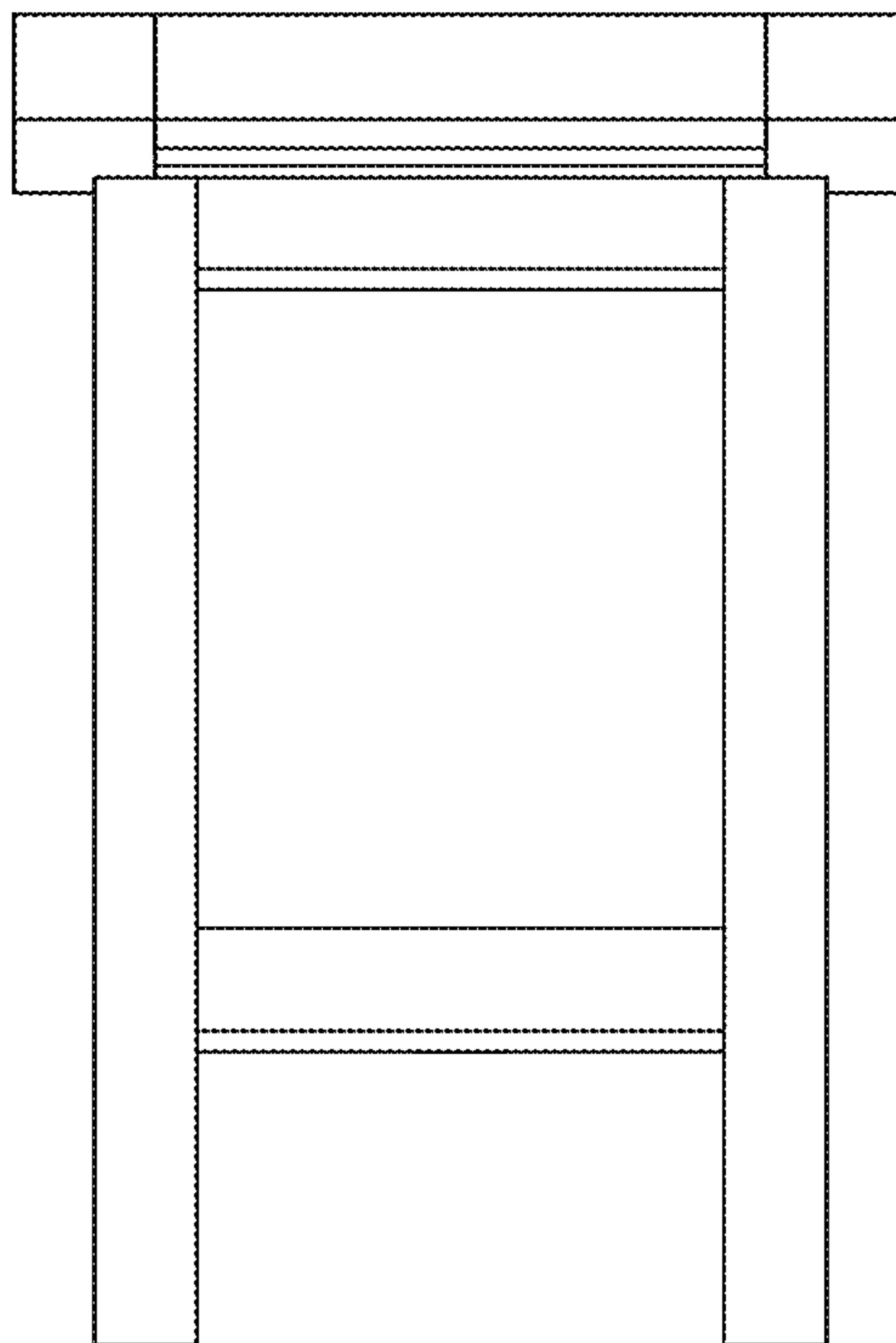


Fig. 4

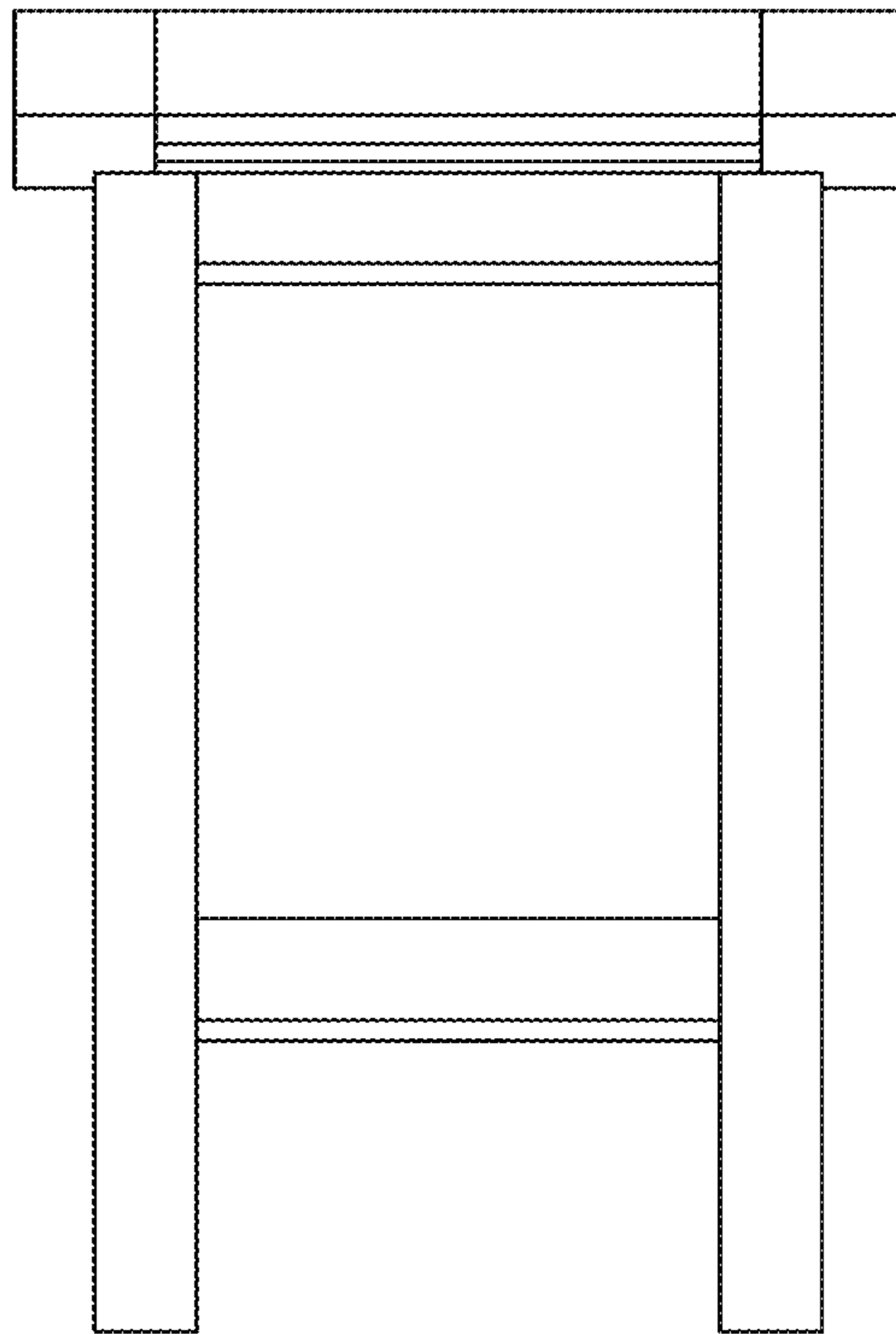


Fig. 5

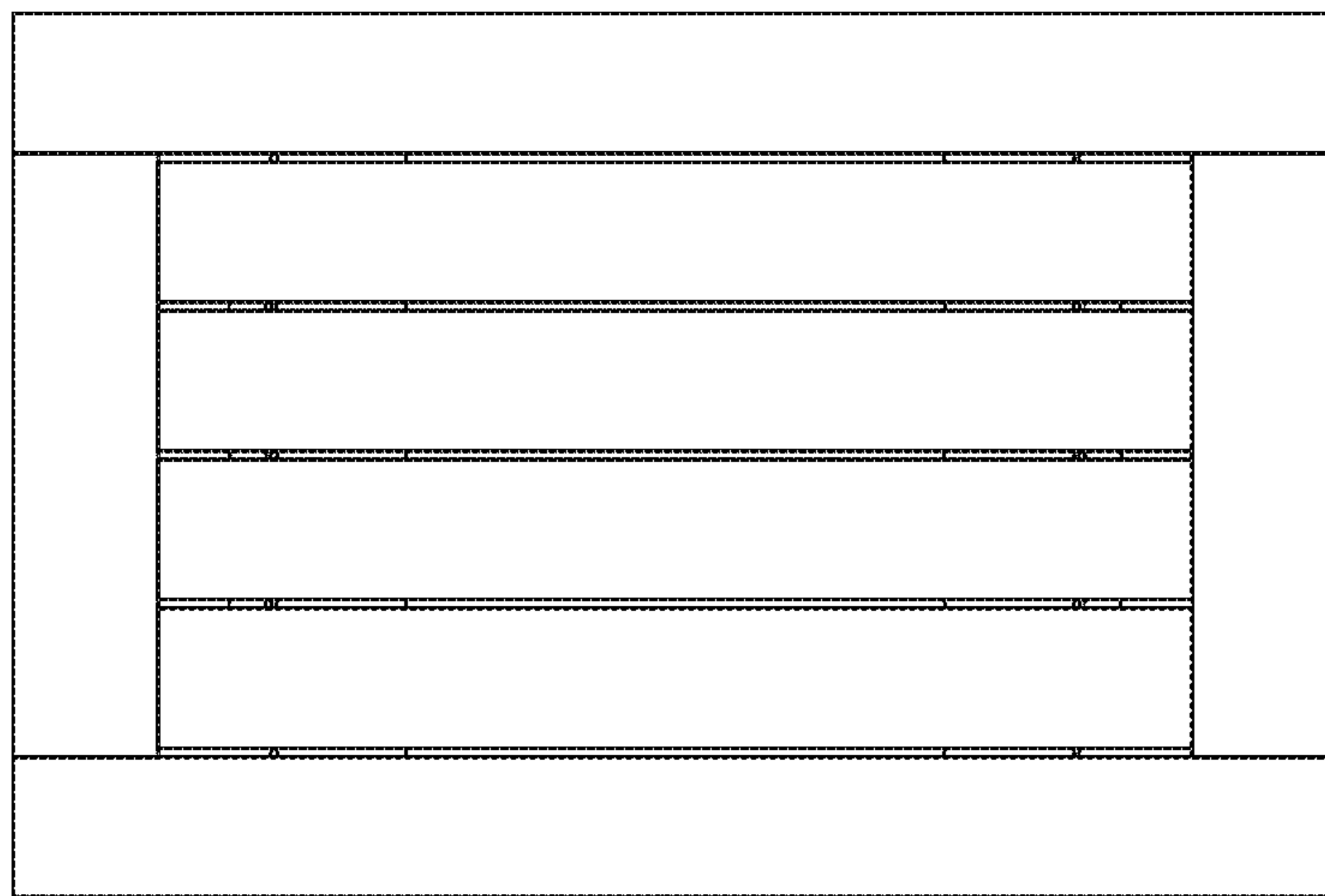


Fig. 6

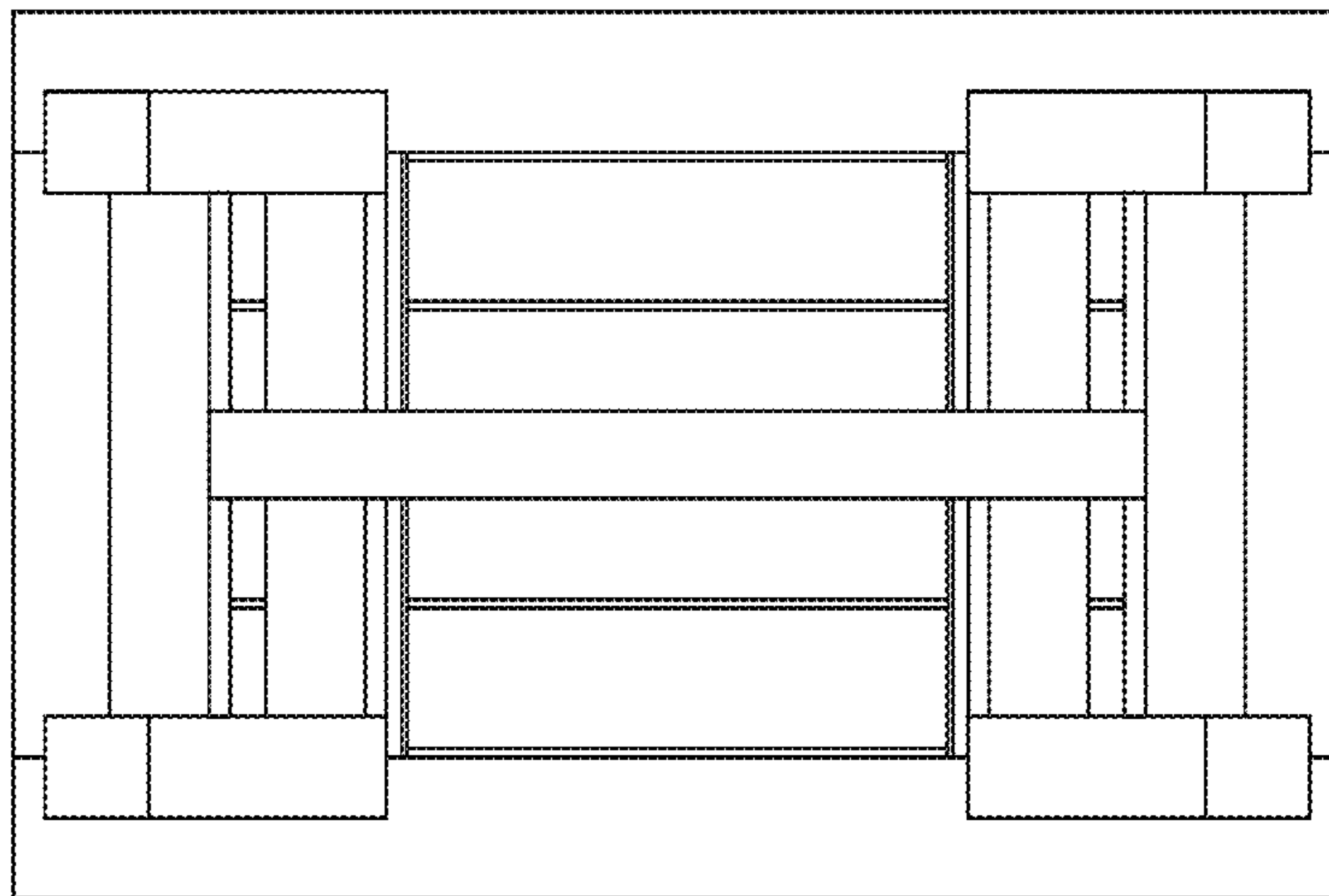


Fig. 7