



US00D798619S

(12) **United States Design Patent** (10) **Patent No.:** **US D798,619 S**
Arobas et al. (45) **Date of Patent:** **** Oct. 3, 2017**

(54) **TABLE AND CHAIRS SET**

(71) Applicant: **MindBlowers Limited**, Douglas, Isle of Man (GB)

(72) Inventors: **Rivka Arobas**, Douglas (GB); **Adi Tako**, Tel Aviv-Yafo (IL)

(73) Assignee: **MindBlowers, Limited**, Douglas, Isle of Man (GB)

(**) Term: **15 Years**

(21) Appl. No.: **29/538,298**

(22) Filed: **Sep. 2, 2015**

(51) **LOC (10) Cl.** **06-01**

(52) **U.S. Cl.**
USPC **D6/338**

(58) **Field of Classification Search**

USPC D3/304; D6/304, 334, 335, 336, 356, D6/366, 553, 705, 715, 716.4, 716.5;
(Continued)

(56) **References Cited**

U.S. PATENT DOCUMENTS

D161,217 S * 12/1950 Silverman D6/690
D171,475 S * 2/1954 Yarger D6/692.6
(Continued)

OTHER PUBLICATIONS

Sprout: Tool-less Modern Kids Furniture, posted at Youtube.com, posting date Jul. 2, 2011, [online], [site visited Sep. 12, 2016]. Available from Internet, <URL: <https://youtu.be/E4xw209phXo> >.*

(Continued)

Primary Examiner — Thomas Johannes

Assistant Examiner — Catherine Ho

(74) *Attorney, Agent, or Firm* — Gearhart Law LLC

(57) **CLAIM**

The ornamental design for a table and chair set, as shown and described.

DESCRIPTION

FIG. 1 is a perspective view of the table and chairs set. FIG. 2 is a front view of the table and chairs set as shown in FIG. 1.

FIG. 3 is a rear view of the table and chairs set as shown in FIG. 1.

FIG. 4 is a top view of the table and chairs set as shown in FIG. 1.

FIG. 5 is a bottom view of the table and chairs set as shown in FIG. 1.

FIG. 6 is a right side view of the table and chairs set as shown in FIG. 1.

FIG. 7 is a left side view of the table and chairs set as shown in FIG. 1.

FIG. 8 is a perspective view of a chair assembled out of several portions of the table and chairs set as shown in FIG. 1.

FIG. 9 is a rear view of the chair as shown in FIG. 8.

FIG. 10 is a front view of the chair as shown in FIG. 8.

FIG. 11 is a right side view of the chair as shown in FIG. 8.

FIG. 12 is a left side view of the chair as shown in FIG. 8.

FIG. 13 is a top view of the chair as shown in FIG. 8.

FIG. 14 is a bottom view of the chair as shown in FIG. 8.

FIG. 15 is a perspective view of a table assembled out of several portions of the table and chairs set as shown in FIG. 1.

FIG. 16 is a front view of the table as shown in FIG. 15.

FIG. 17 is a rear view of the table as shown in FIG. 15.

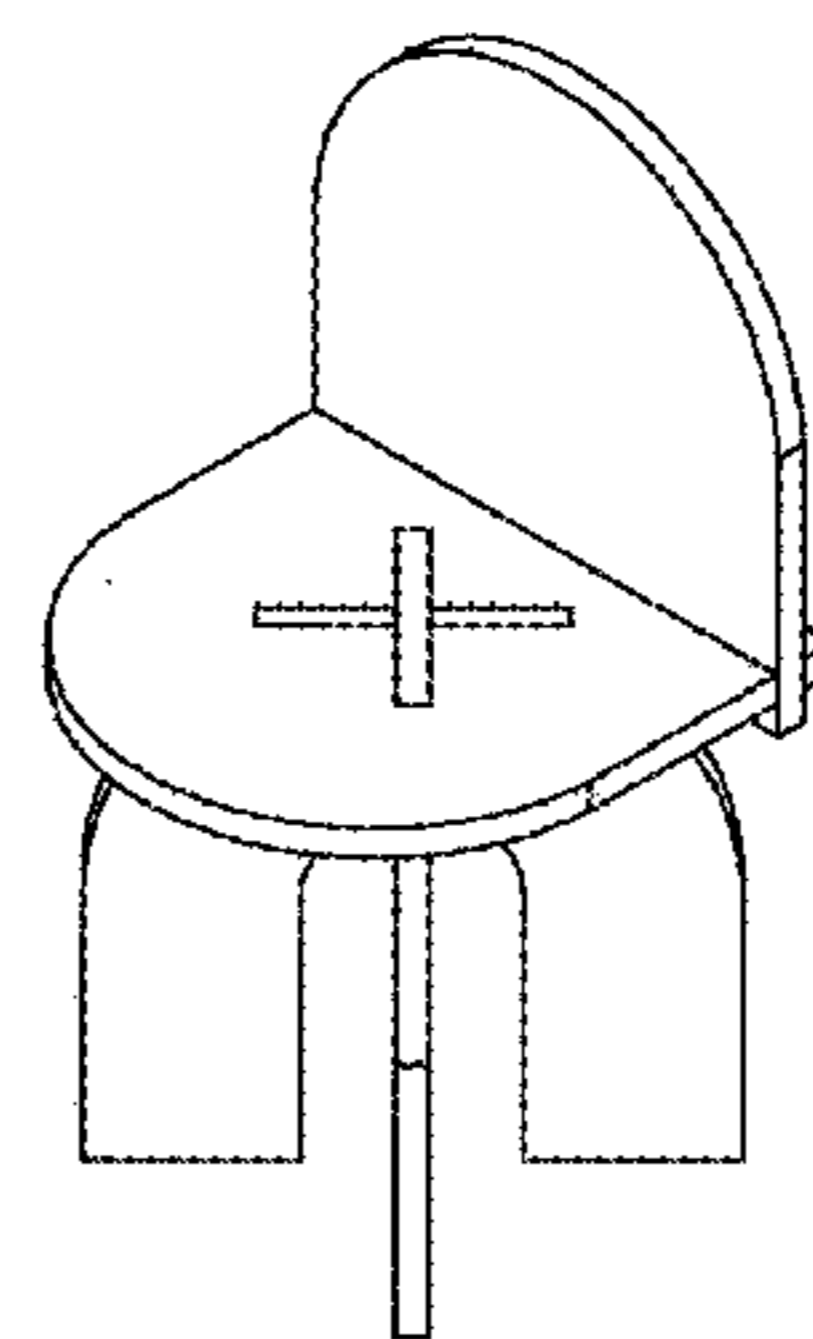
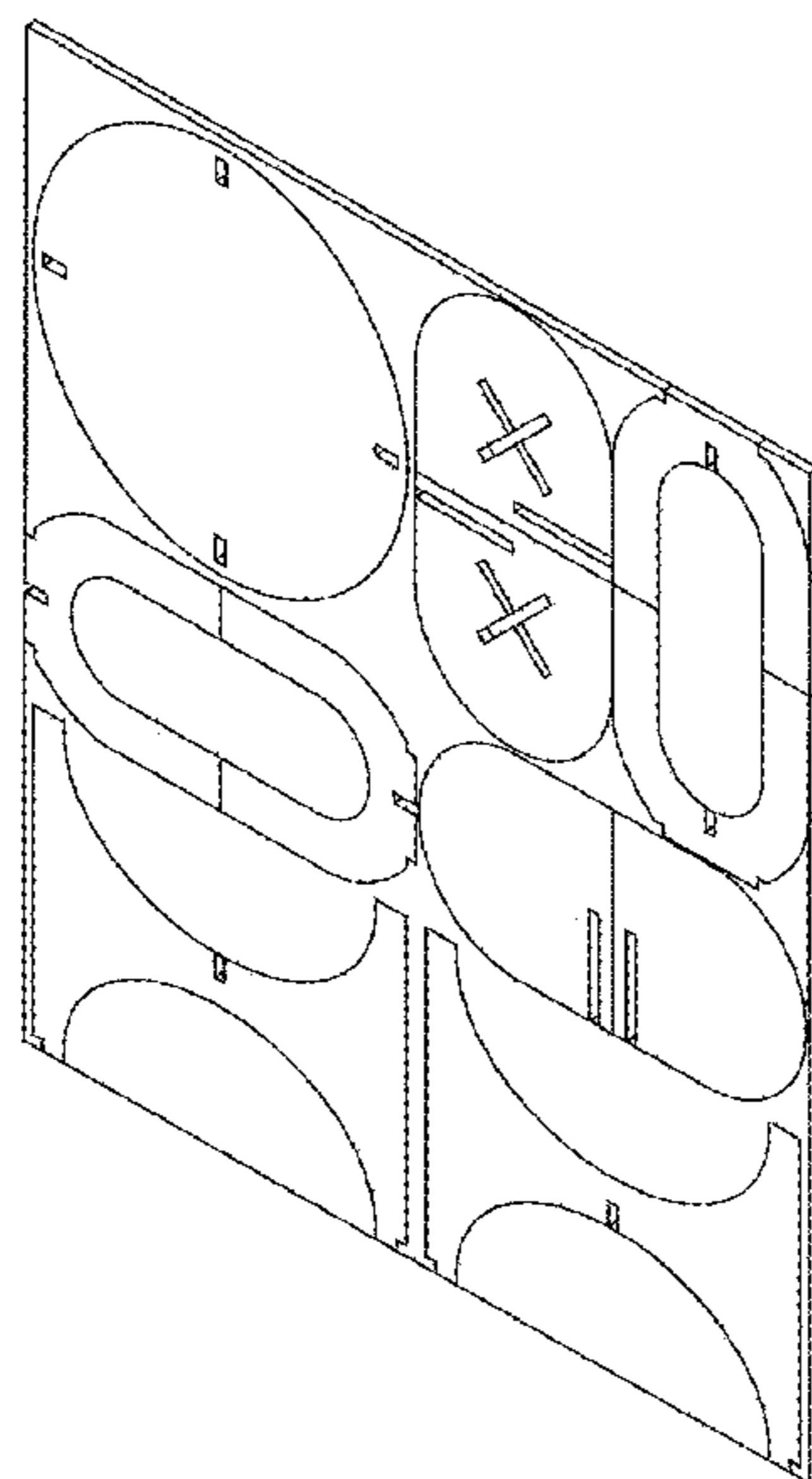
FIG. 18 is a right side view of the table as shown in FIG. 15.

FIG. 19 is a left side view of the table as shown in FIG. 15.

FIG. 20 is a top view of the table as shown in FIG. 15; and,

FIG. 21 is a bottom view of the table as shown in FIG. 15.

1 Claim, 9 Drawing Sheets



(58) **Field of Classification Search**

USPC D8/349, 380; D12/400, 406, 416, 420,
 D12/425; D13/133, 147, 152, 156;
 D15/199; D21/330, 335, 349, 470, 478,
 D21/479, 480, 489, 491
 CPC A47C 9/08; A47C 9/00; A47C 4/02; A47C
 4/00; A47C 4/03; A47C 4/021; A47C
 13/005; A47C 1/00; A47C 1/124; A47C
 7/54; A47C 7/62; A47C 7/70; A47C
 7/543; A47C 4/028; G02B 5/12; G02B
 5/124; B27B 1/00; A63H 33/00; A63H
 33/16; A63H 33/04; A63H 33/08; A63H
 33/06; A63F 9/06; A63F 9/12; A47D
 11/005; A47D 11/00; A47D 1/006; F16B
 12/00; F16B 12/20

See application file for complete search history.

(56) **References Cited**

U.S. PATENT DOCUMENTS

D240,871 S * 8/1976 Herman D6/352
 D359,638 S * 6/1995 Goldstein D6/349

D361,441 S * 8/1995 Goldstein D6/335
 5,992,938 A * 11/1999 Jones A47C 4/03
 297/440.13
 D452,414 S * 12/2001 Miller D7/306
 D480,885 S * 10/2003 Martin D6/349
 D506,082 S * 6/2005 Foy D6/352
 D648,581 S * 11/2011 Rizzo D6/716.1

OTHER PUBLICATIONS

Gypsy Modular Tool-Less Furniture, posted at Youtube.com, post-
 ing date Apr. 9, 2011, [online], [site visited Sep. 12, 2016]. Available
 from Internet, <URL: <https://youtu.be/MyW7qjdKuyM>>.*

Furniture, posted at Mindblower.com, posting date Oct. 4, 2015,
 [online], [site visited Sep. 15, 2016]. Available from Internet,
 <URL: <http://mindblower.com/product/furniture/>>.*

Modern round coffee table, minimalist furniture, posted at
 Dawanda.com, posting date May 12, 2016, [online], [site visited
 Sep. 12, 2016]. Available from Internet, <URL: <http://de.dawanda.com/product/99641223-moderne-runden-kaffeetisch-minimalistische-moebel>>.*

* cited by examiner

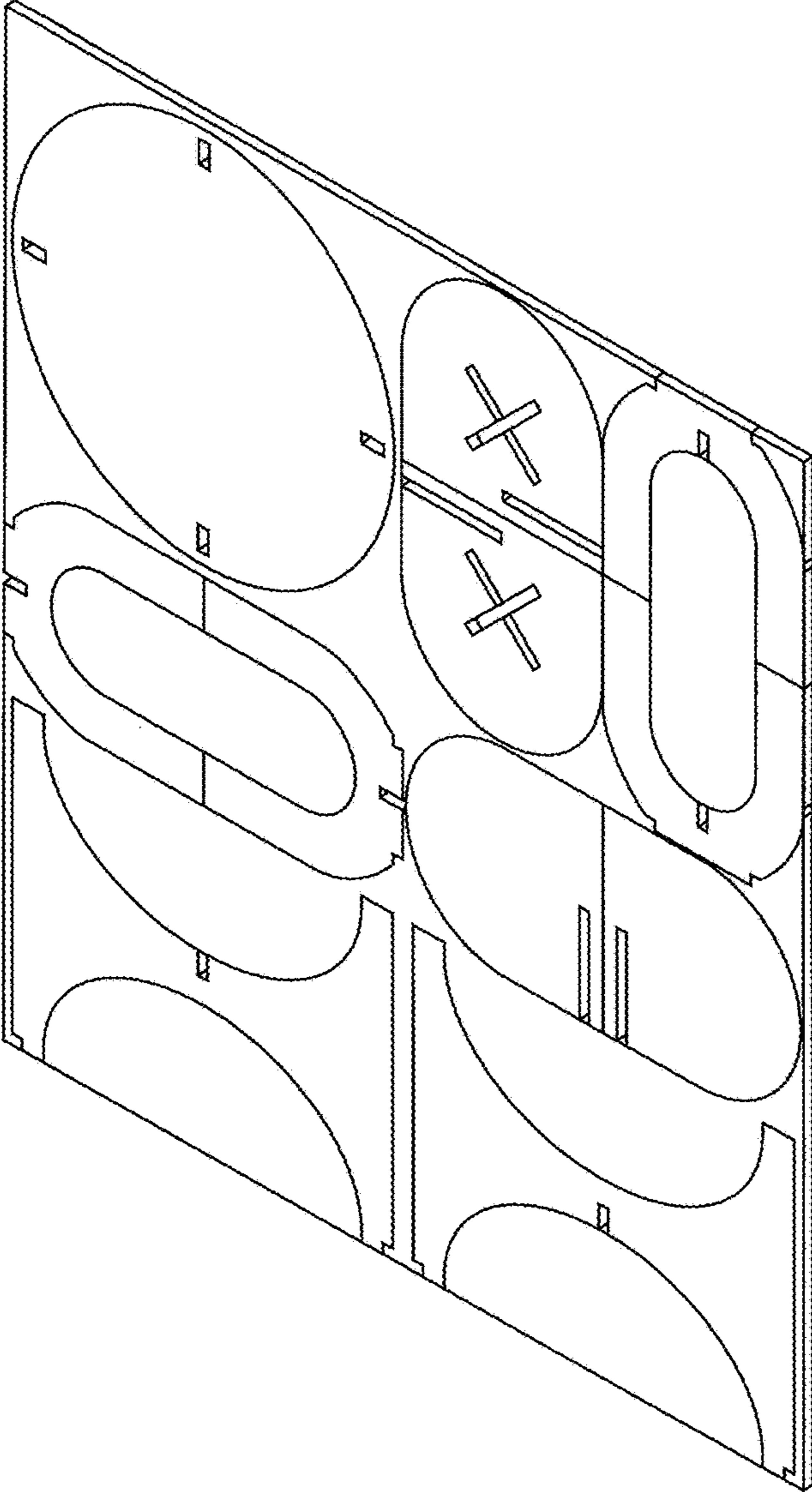


FIG. 1

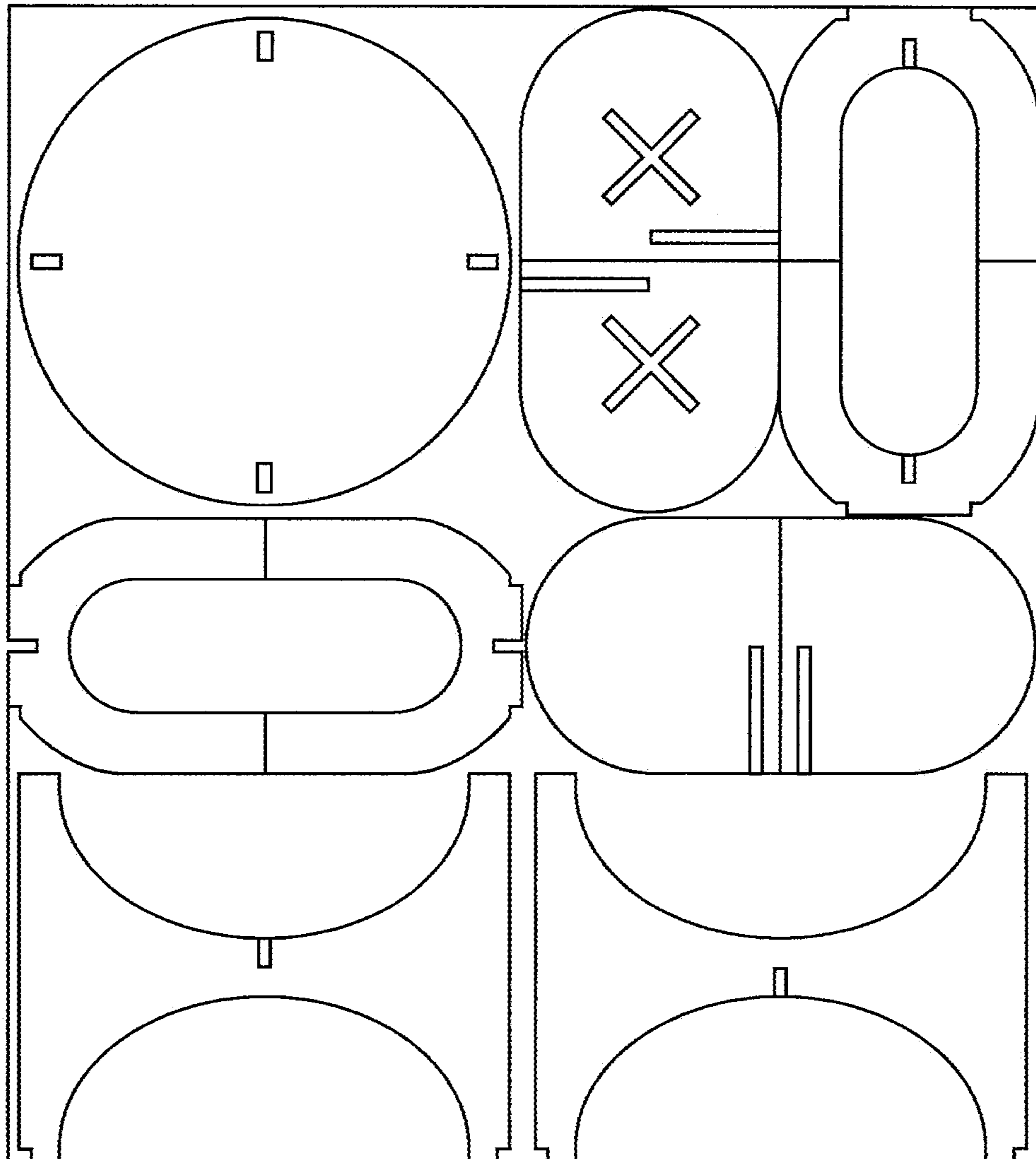


FIG. 2

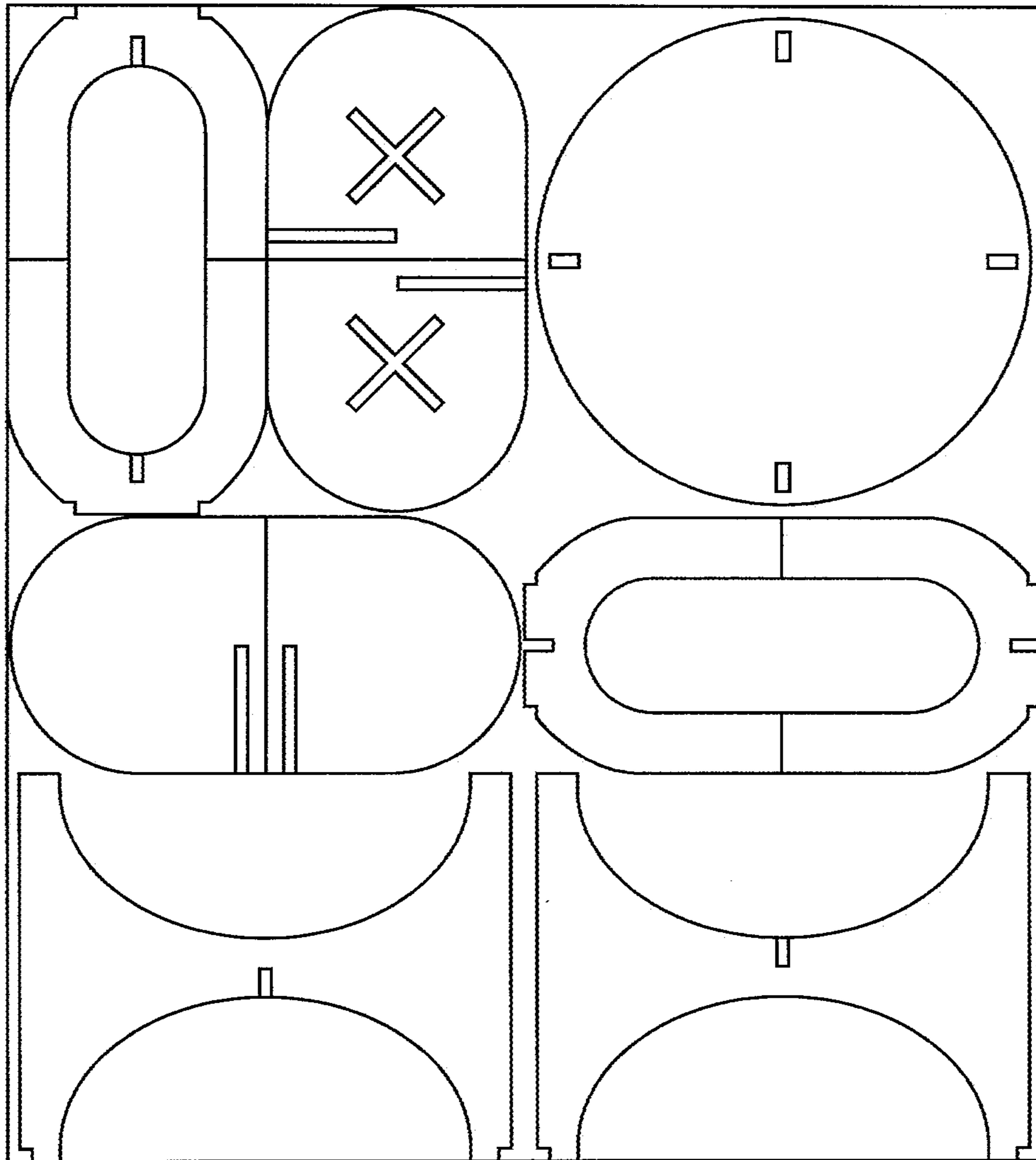


FIG. 3

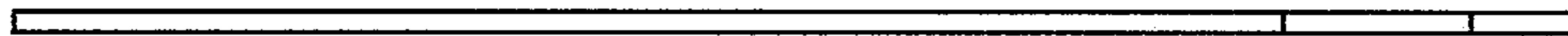


FIG. 4



FIG. 5



FIG. 6

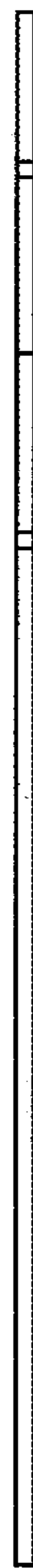


FIG. 7

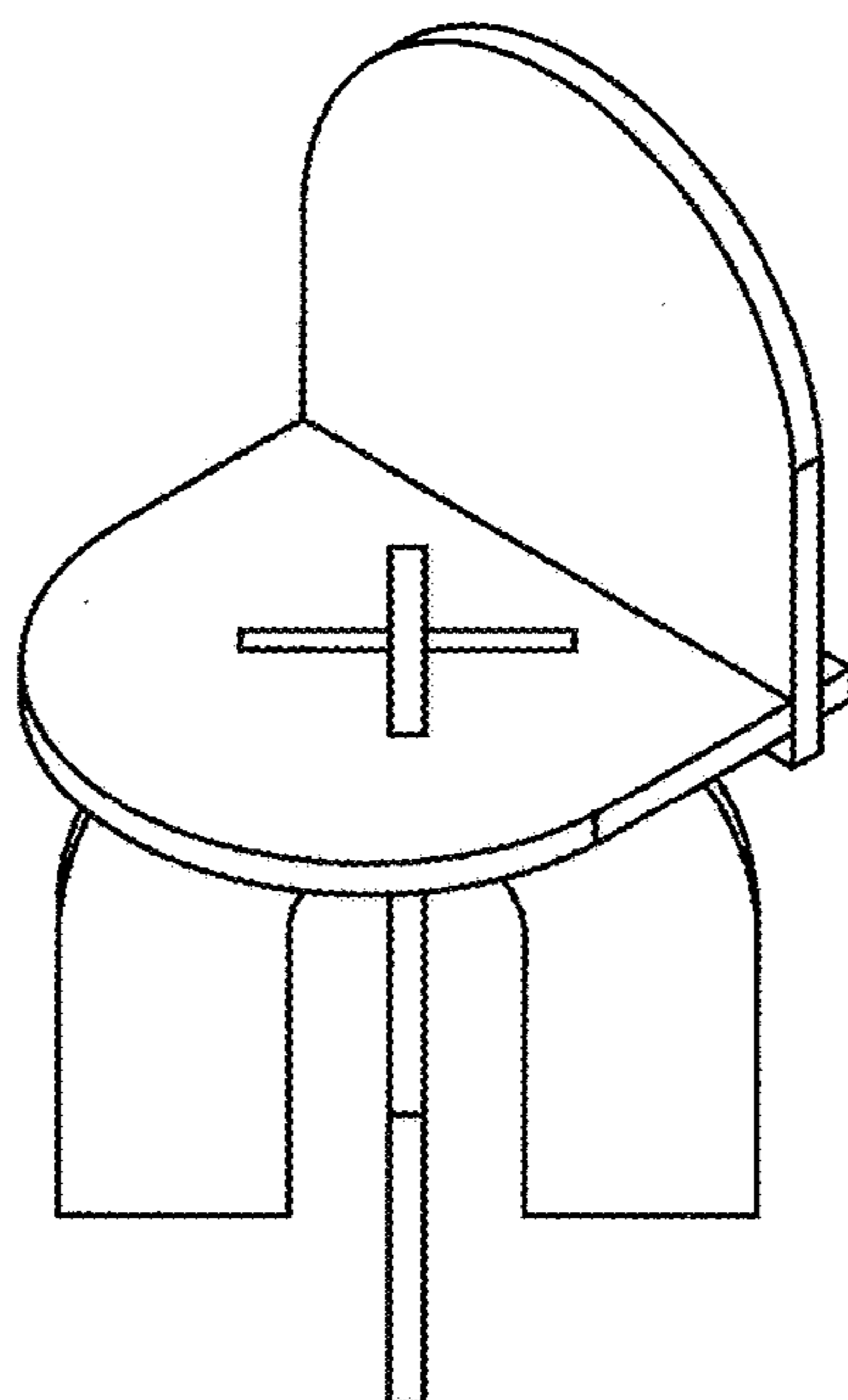


FIG. 8

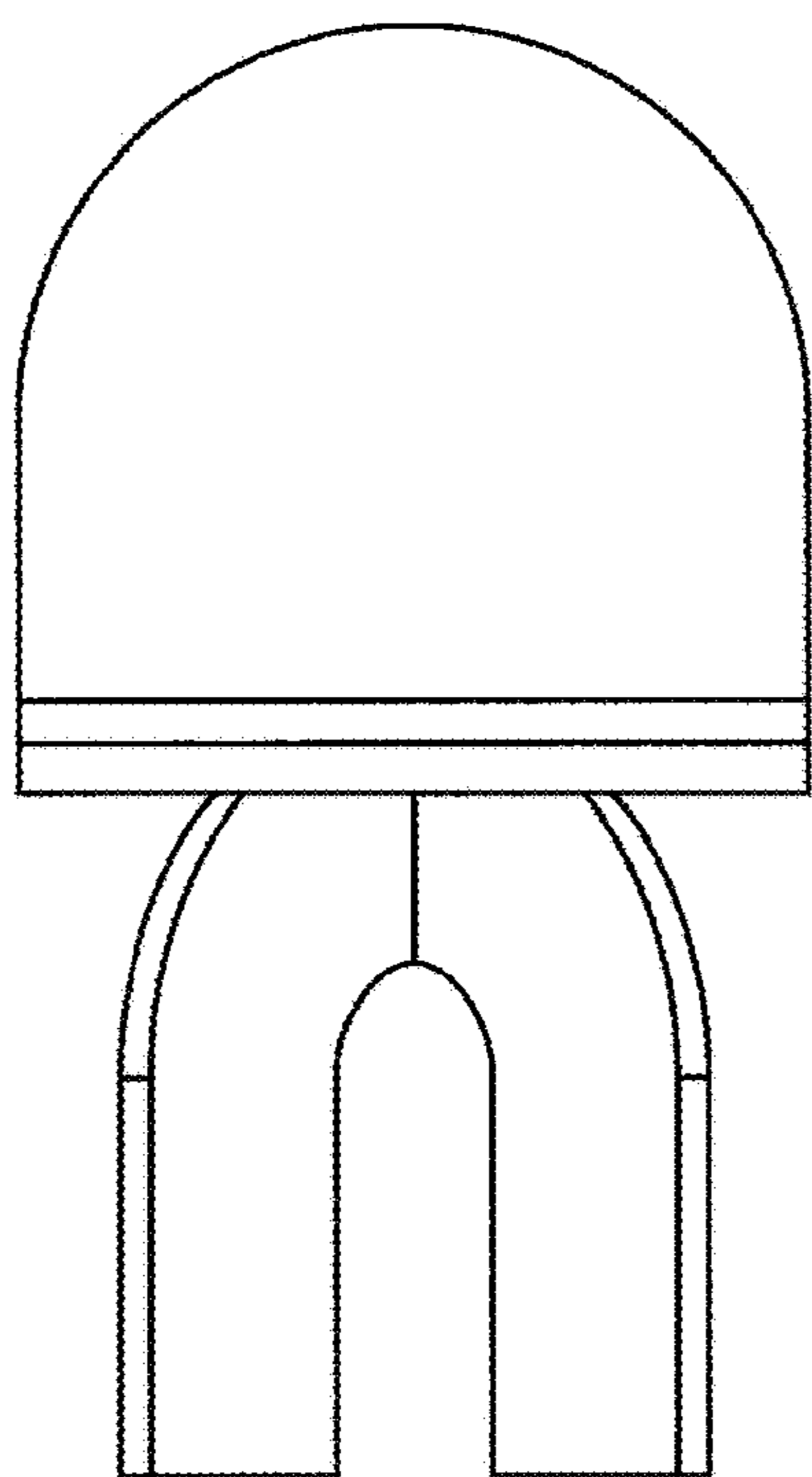


FIG. 9

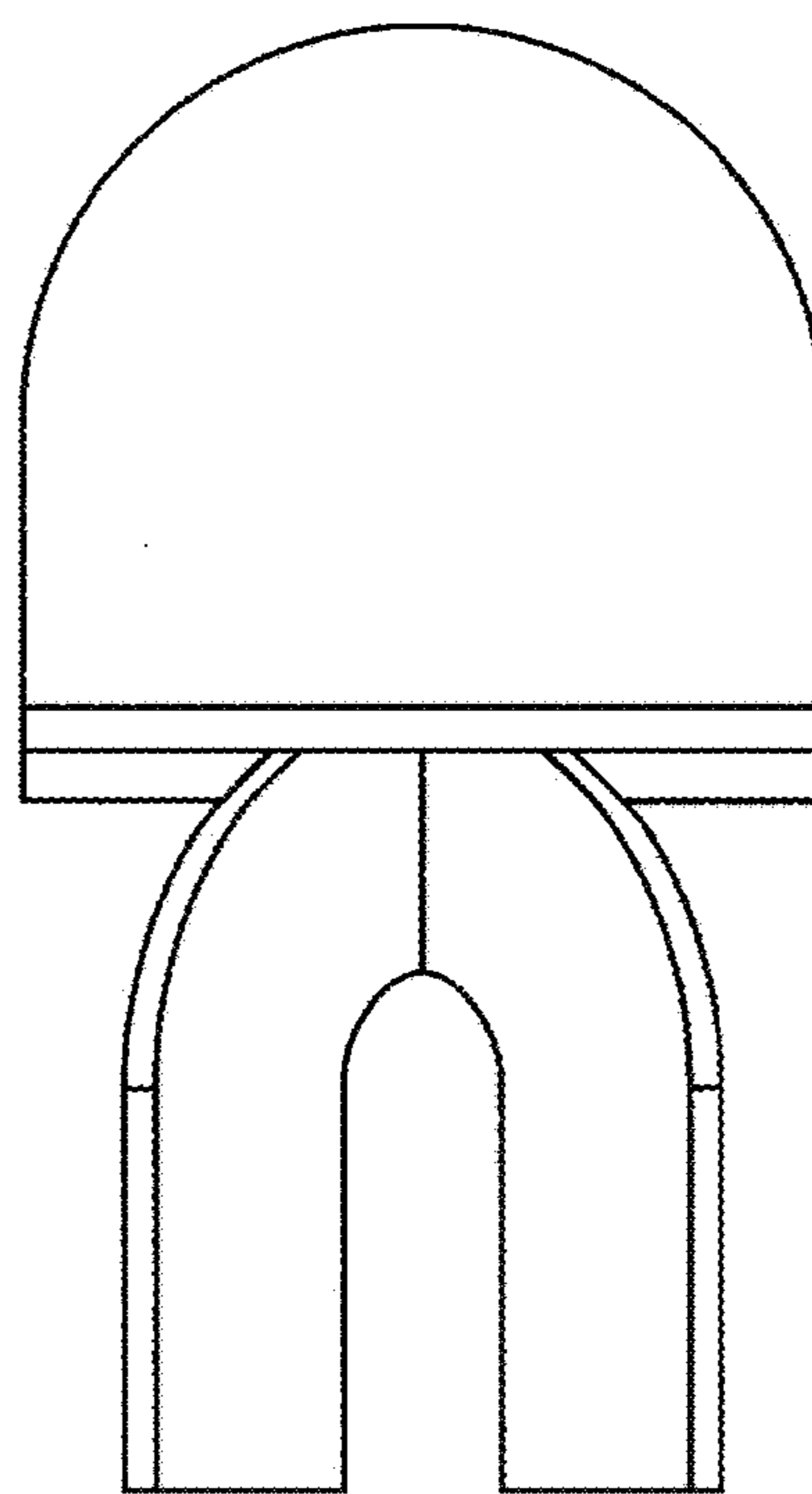


FIG. 10

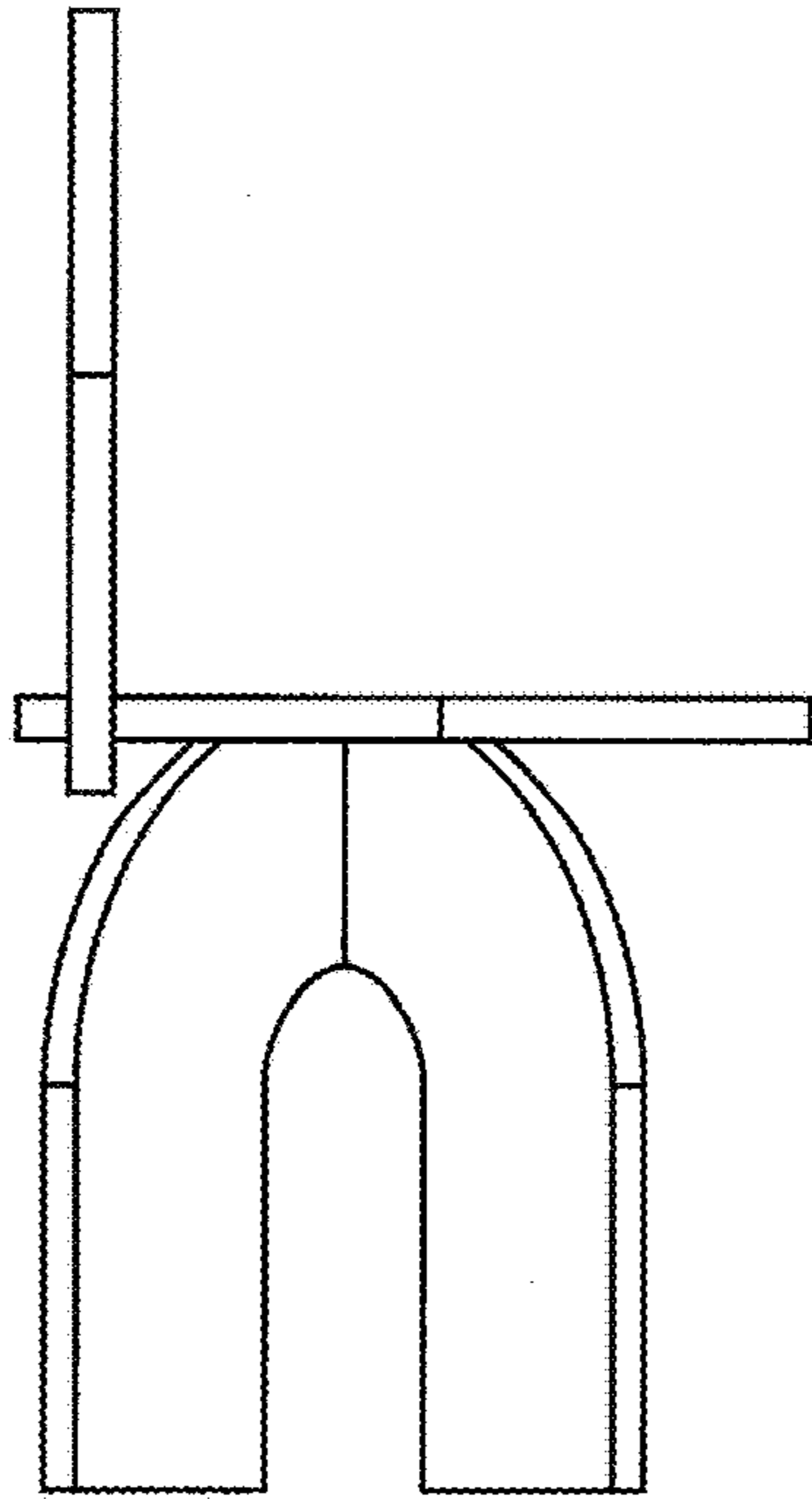


FIG. 11

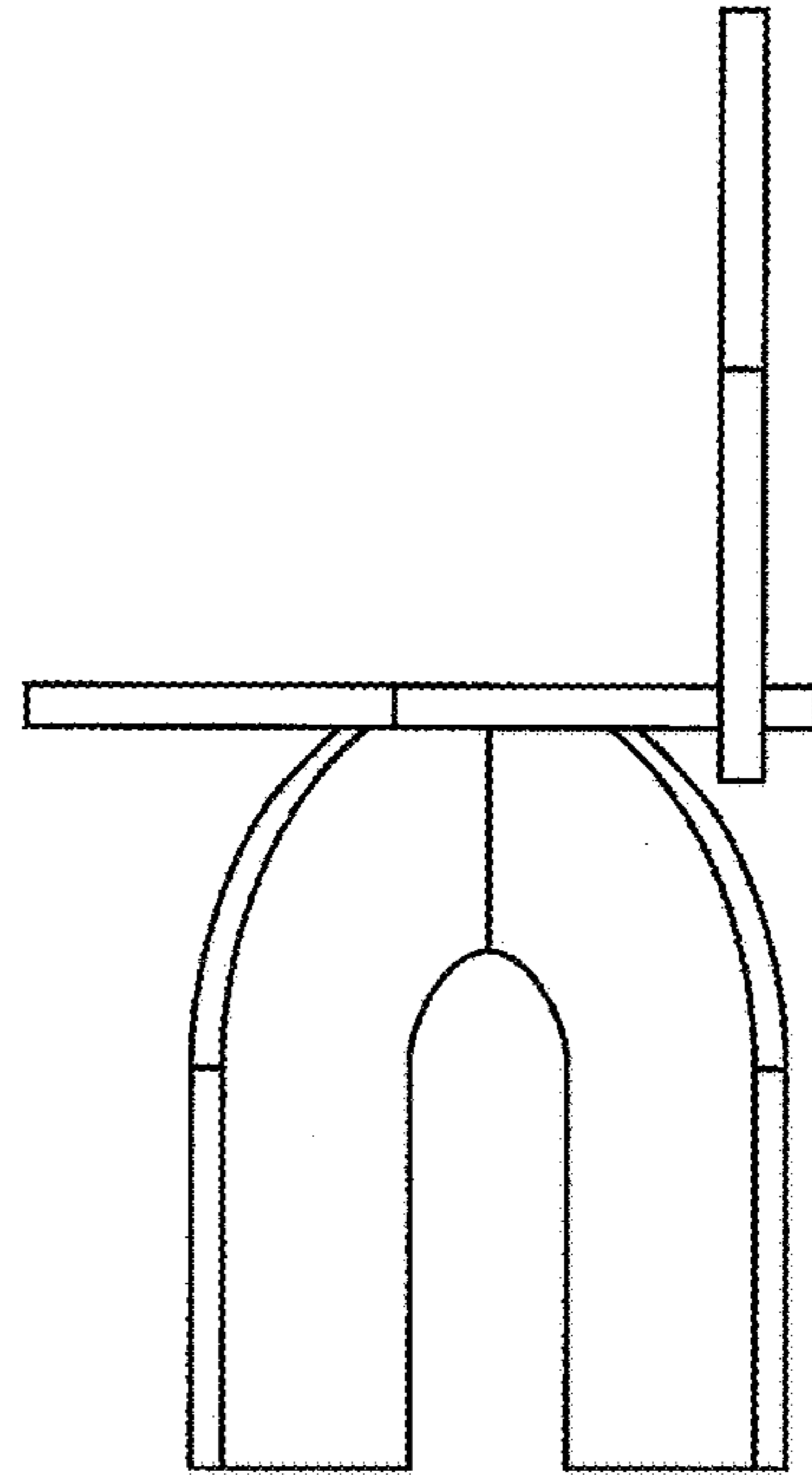


FIG. 12

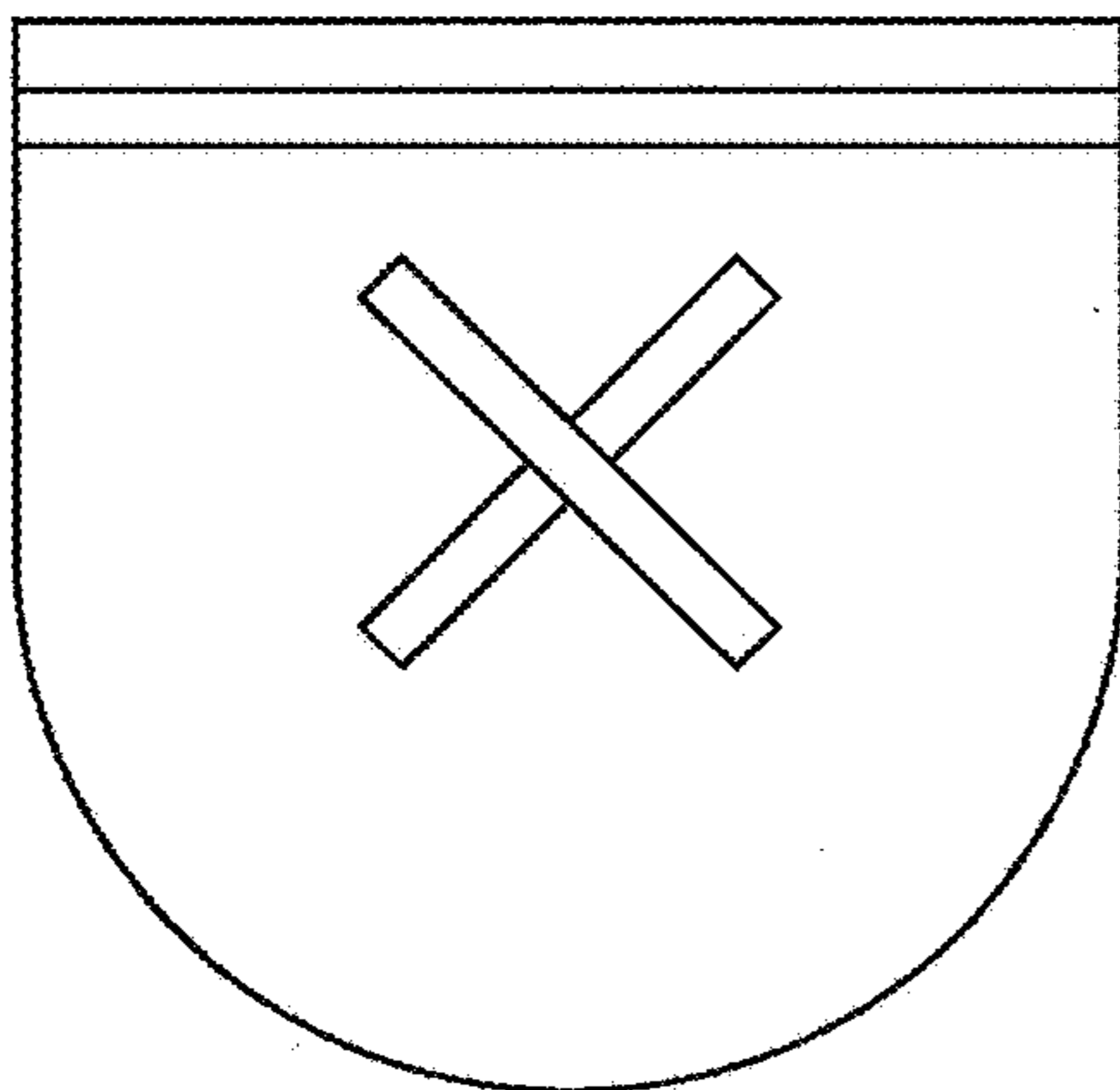


FIG. 13

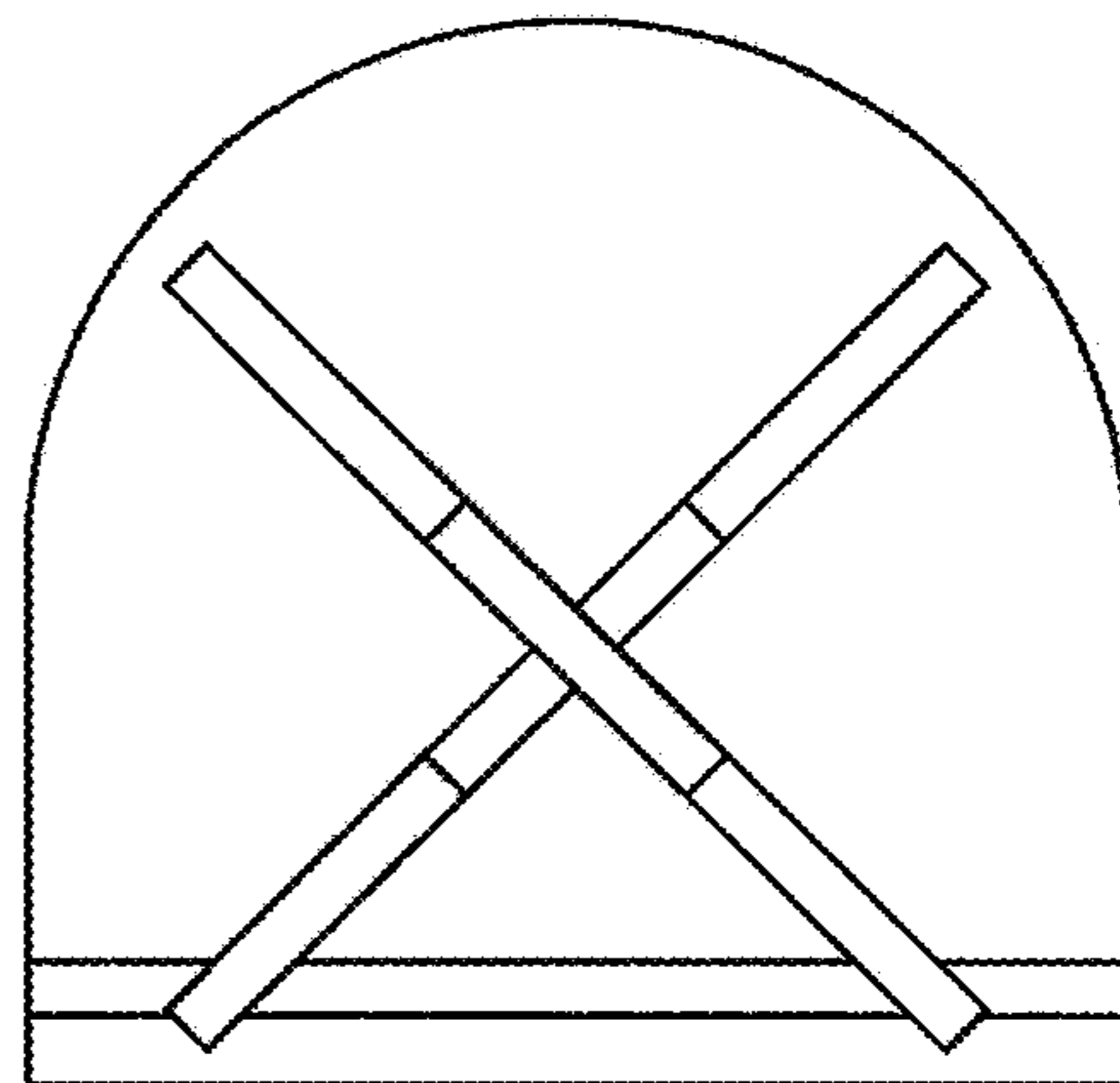


FIG. 14

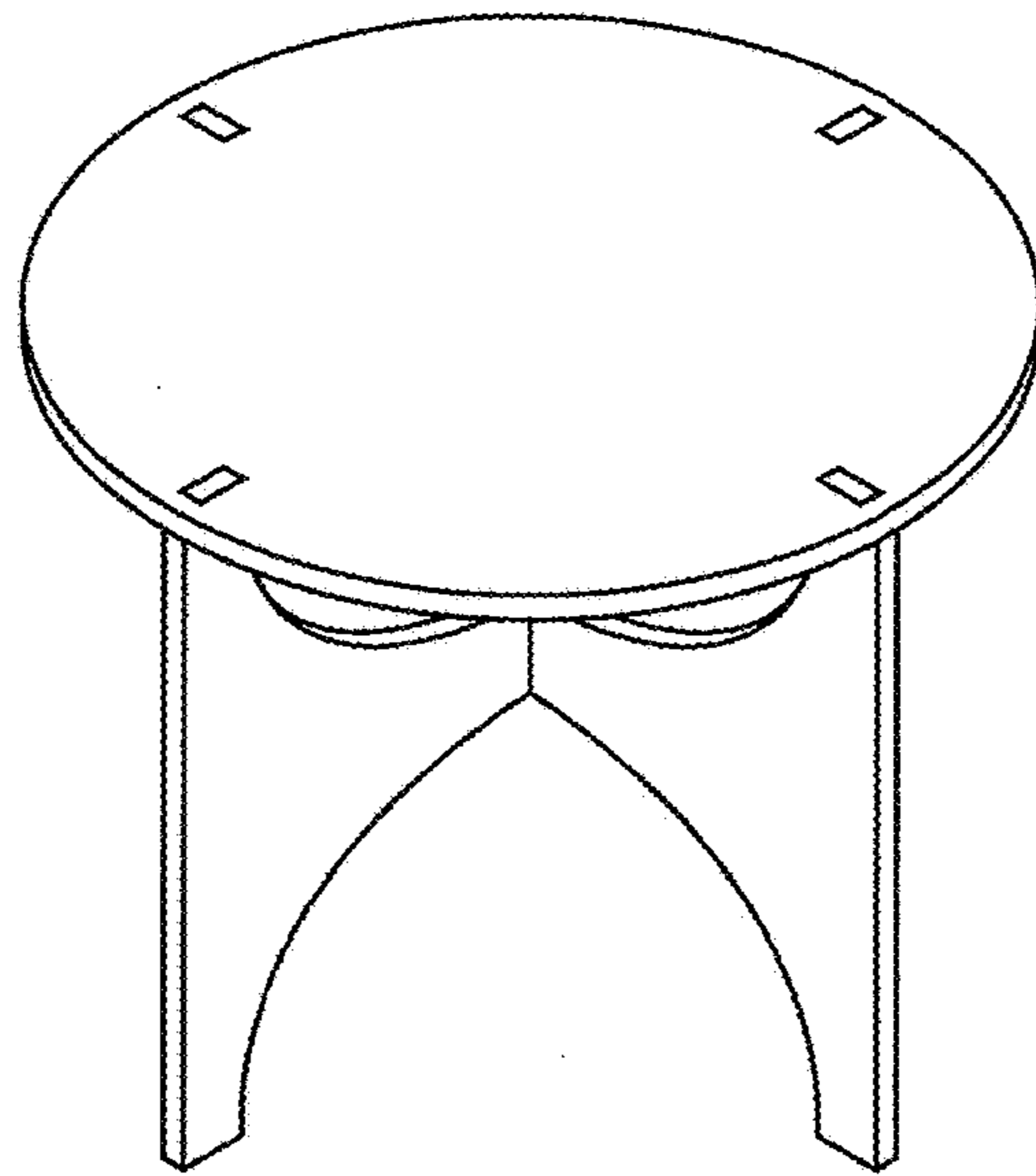


FIG. 15

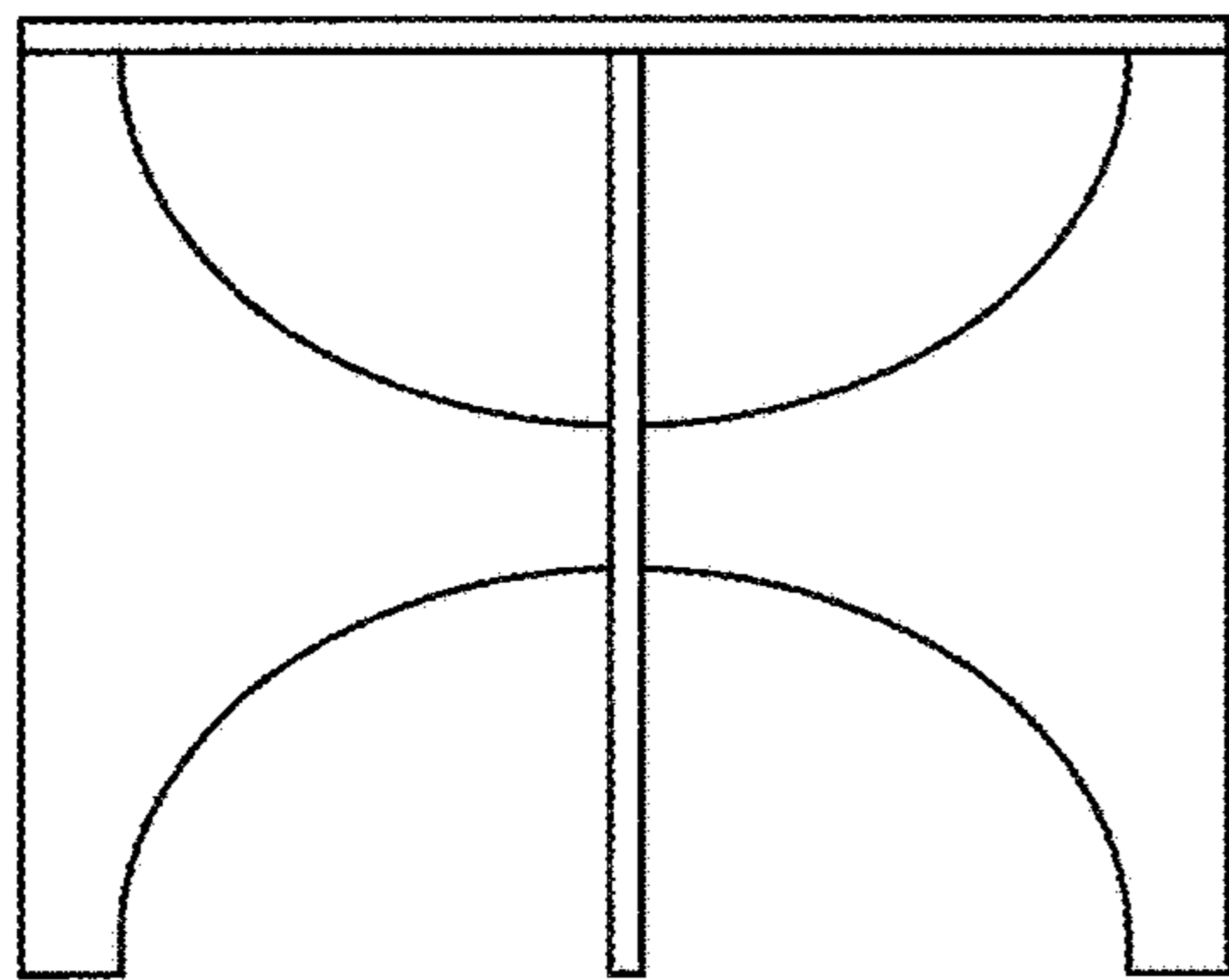


FIG. 16

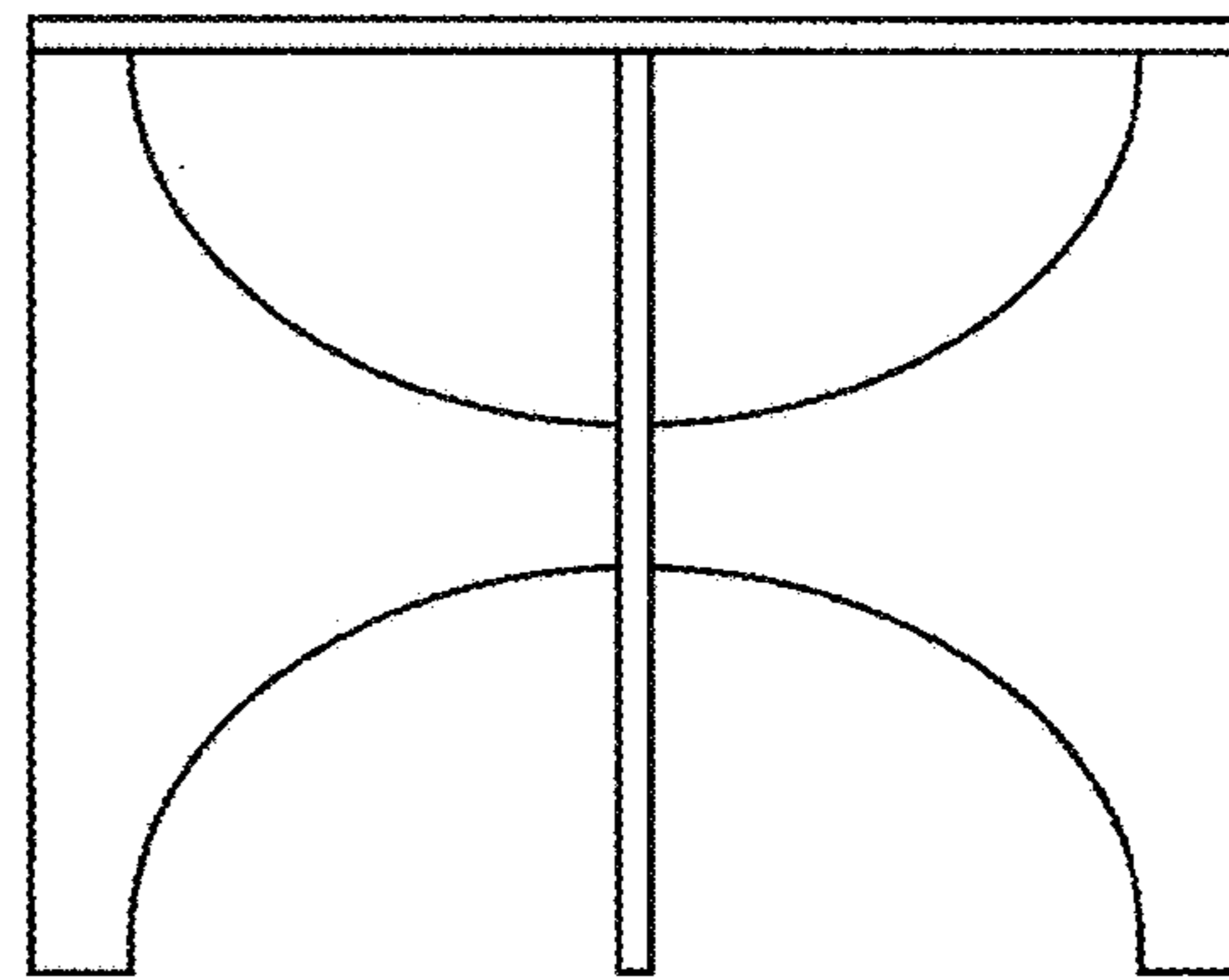


FIG. 17

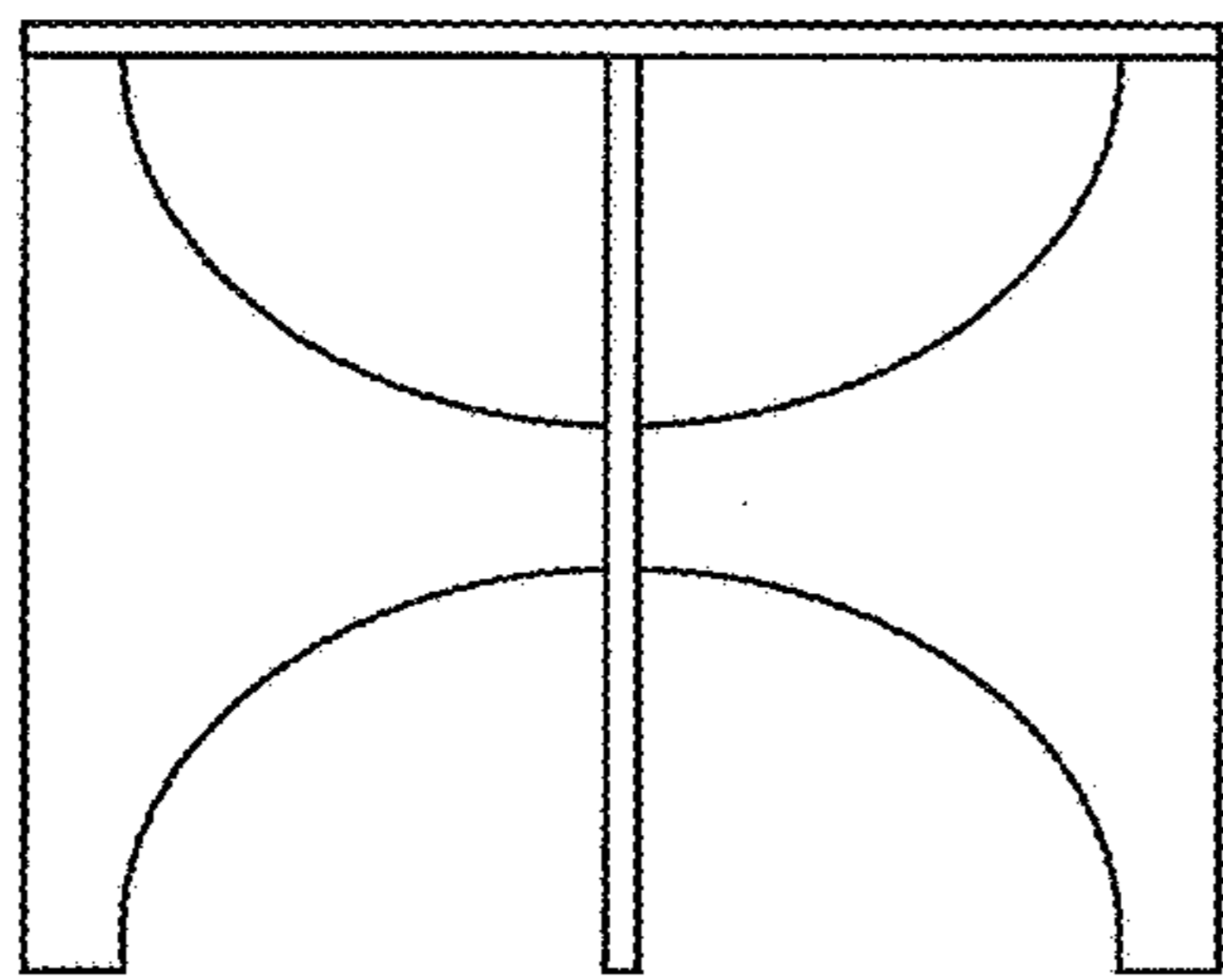


FIG. 18

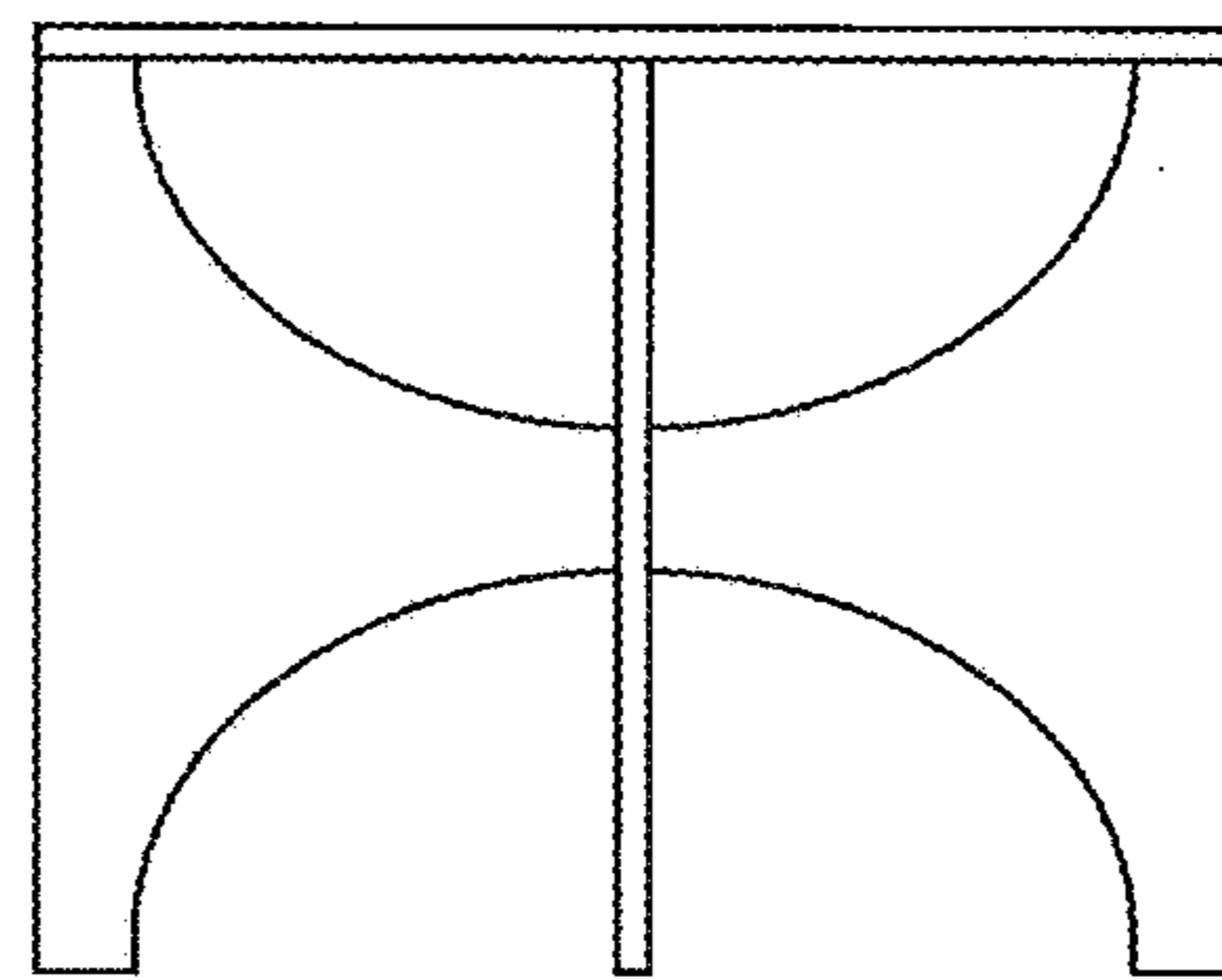


FIG. 19

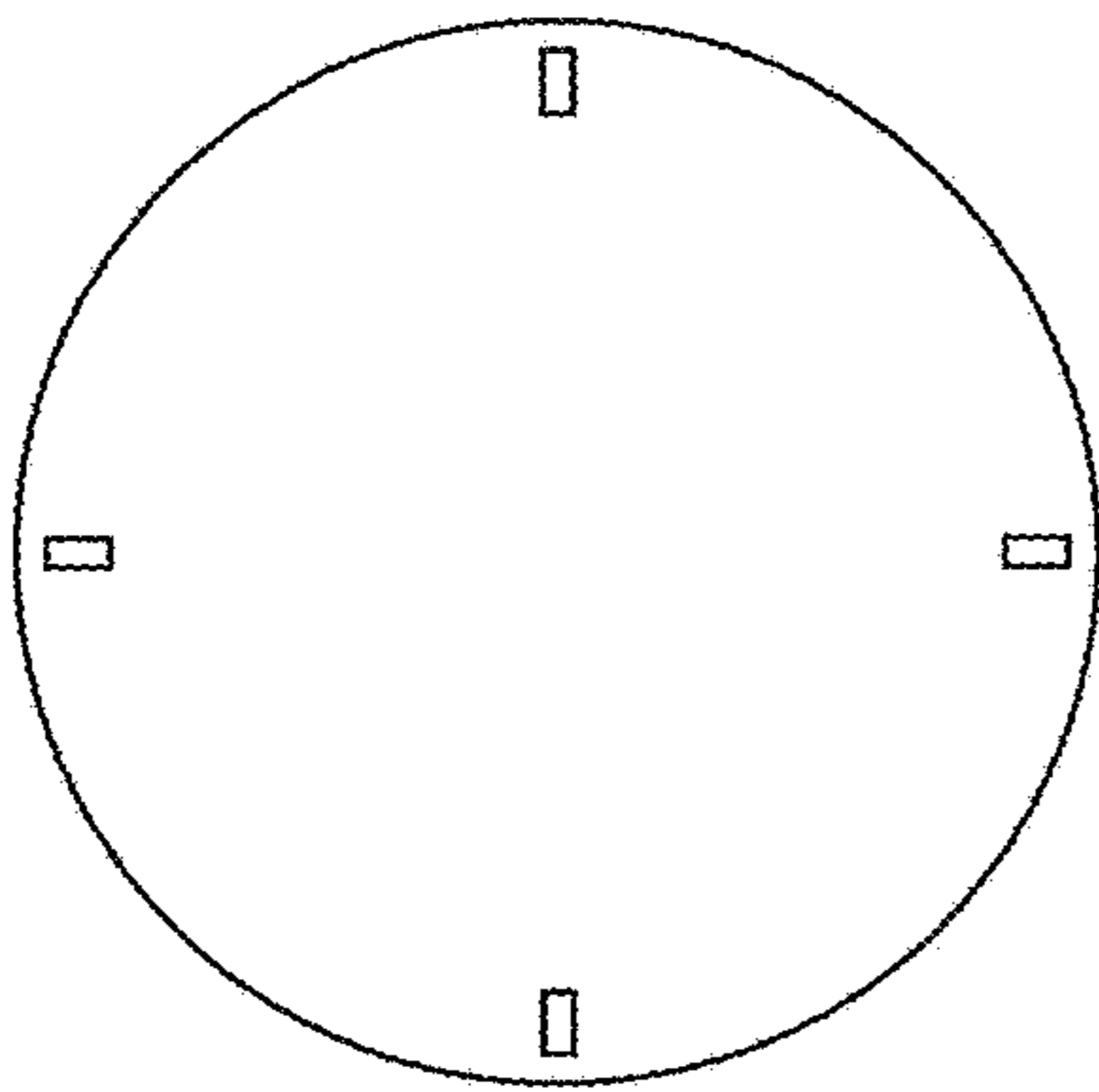


FIG. 20

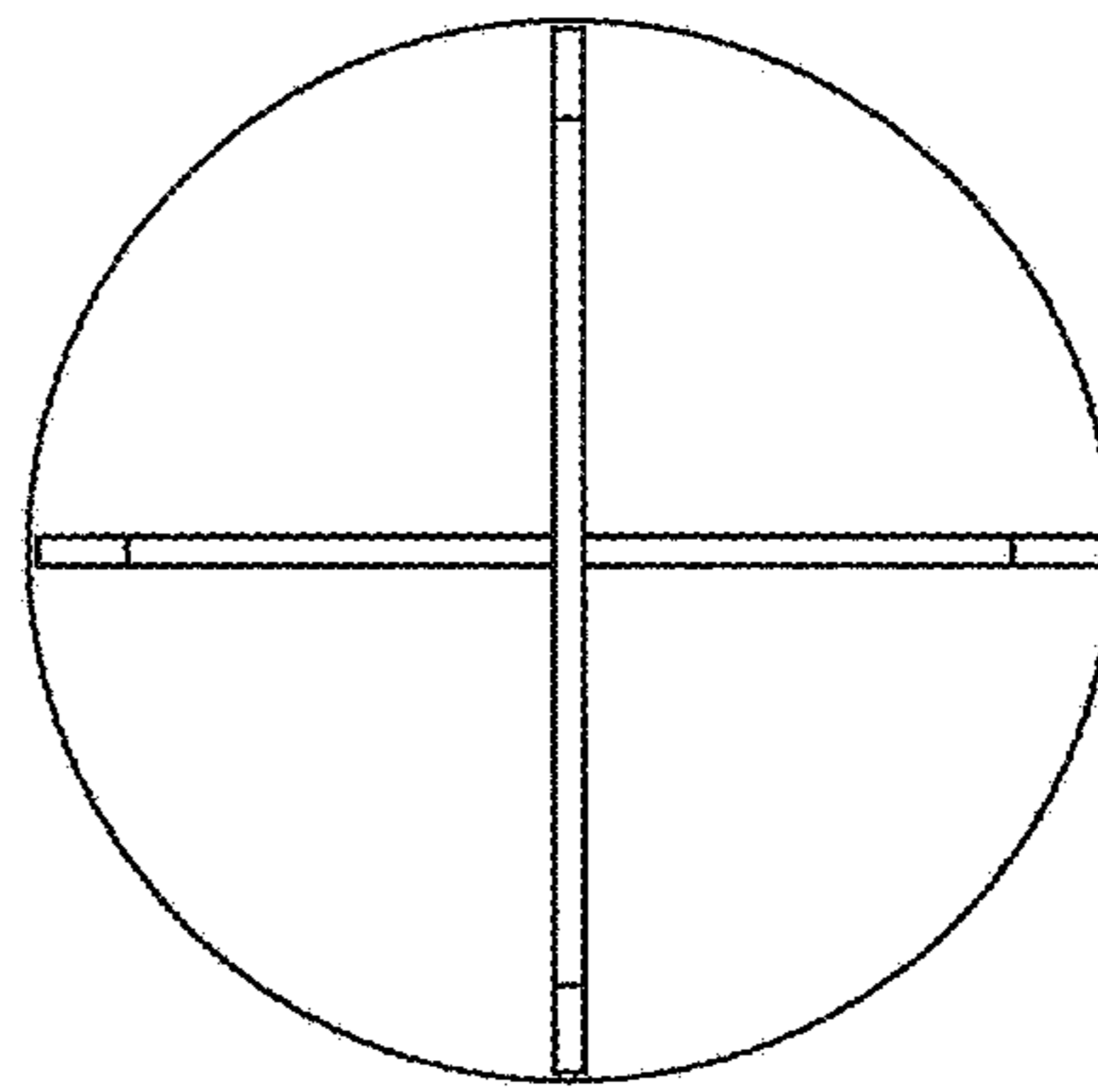


FIG. 21