



US00D798618S

(12) **United States Design Patent**  
**Goodrum**

(10) **Patent No.:** **US D798,618 S**

(45) **Date of Patent:** **\*\* Oct. 3, 2017**

- (54) **SOFA**
- (71) Applicant: **Corporate Culture Australia Pty Ltd.**,  
Chippendale, New South Wales (AU)
- (72) Inventor: **Adam Goodrum**, Chippendale (AU)
- (73) Assignee: **Corporate Culture Australia Pty Ltd.**  
(AU)

D560,919 S *	2/2008	Simons, Jr. ....	D6/381
D576,816 S *	9/2008	Wang .....	D6/369
D665,187 S *	8/2012	Li .....	D6/369
D675,458 S *	2/2013	Martin .....	D6/381
D698,168 S *	1/2014	Pouzet .....	D6/369
D698,564 S *	2/2014	Behar .....	D6/381
D720,147 S *	12/2014	Urquiola .....	D6/369
D720,149 S *	12/2014	Armani .....	D6/369
D761,582 S *	7/2016	Armani .....	D6/369
D766,608 S *	9/2016	Dorigo .....	D6/373
2005/0140184 A1 *	6/2005	Williams .....	A47C 13/00 297/135

(\*\*) Term: **15 Years**

(21) Appl. No.: **29/572,229**

(22) Filed: **Jul. 26, 2016**

(51) **LOC (10) Cl.** ..... **06-01**

(52) **U.S. Cl.**  
USPC ..... **D6/336; D6/369; D6/381**

(58) **Field of Classification Search**  
USPC ..... D6/334, 335, 336, 338, 342, 360, 367,  
D6/368, 369, 371-375, 377, 378, 381  
CPC ..... A47C 7/66; A47C 17/00; A47C 17/86;  
A47C 1/00; A47B 83/00  
See application file for complete search history.

(56) **References Cited**

**U.S. PATENT DOCUMENTS**

D56,367 S *	10/1920	Leijen .....	297/184.14
D247,595 S *	3/1978	Corson .....	D6/381
D477,472 S *	7/2003	Bauchet .....	D6/381

\* cited by examiner

*Primary Examiner* — Deanna L Pratt

(74) *Attorney, Agent, or Firm* — McKee, Voorhees & Sease, PLC

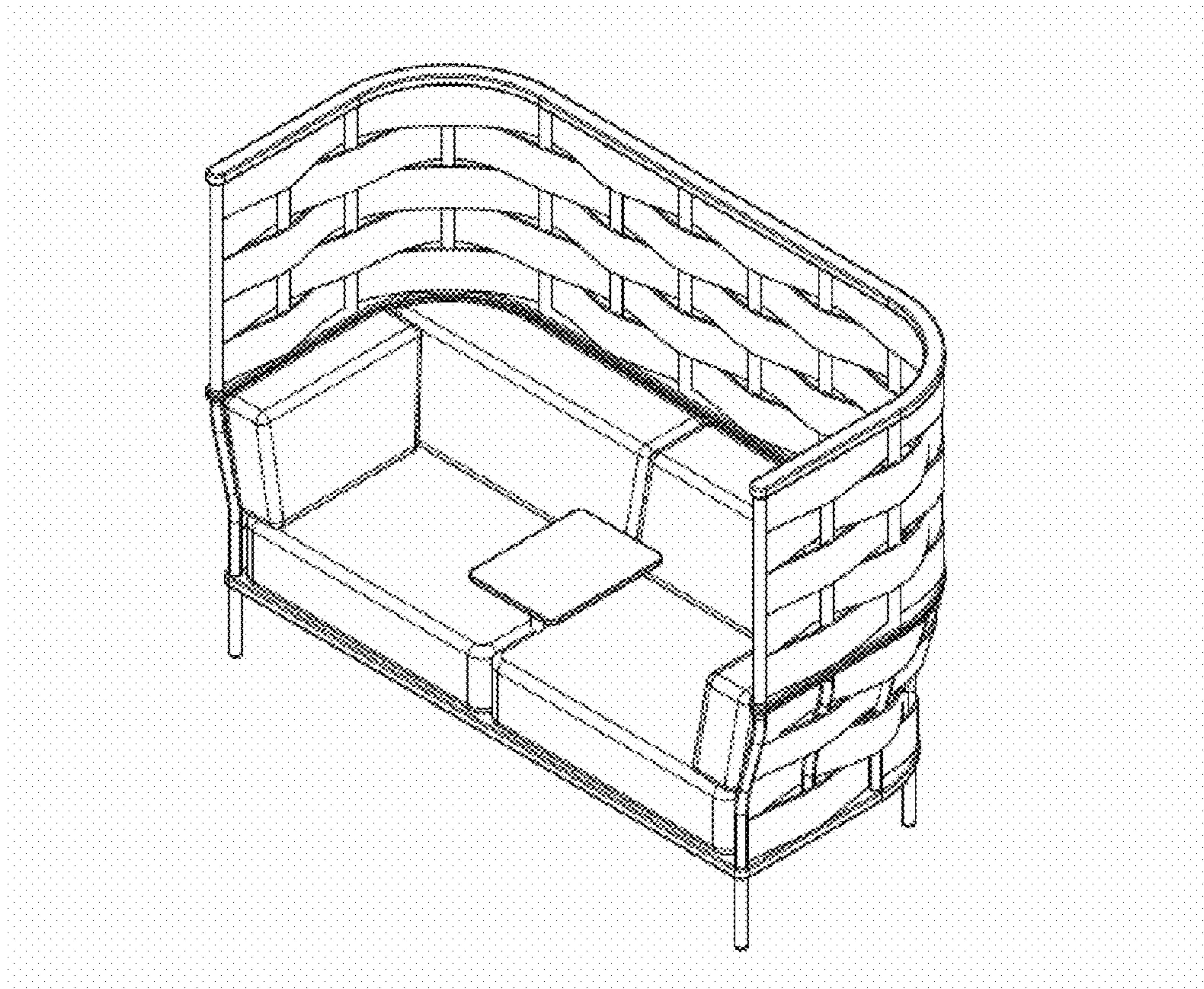
(57) **CLAIM**

The ornamental design for a sofa, substantially as shown.

**DESCRIPTION**

FIG. 1 is a top front isometric view of the sofa.  
FIG. 2 is a bottom front isometric view of the sofa.  
FIG. 3 is a front elevation view of the sofa.  
FIG. 4 is a top plan view of the sofa.  
FIG. 5 is a top front isometric view of the sofa.  
FIG. 6 is a side elevation view of the sofa; and,  
FIG. 7 is another side elevation view of the sofa.

**1 Claim, 7 Drawing Sheets**



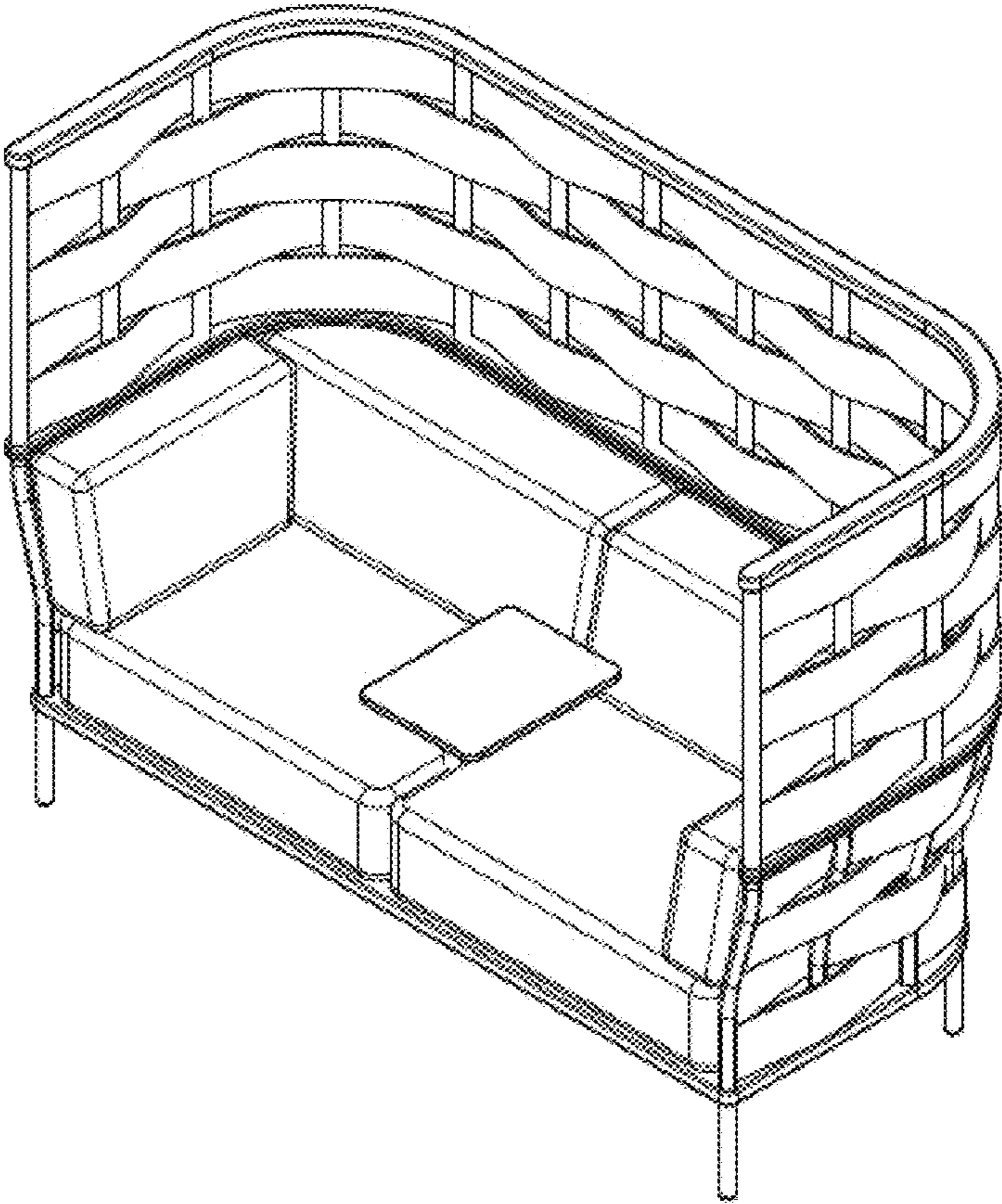


Figure 1

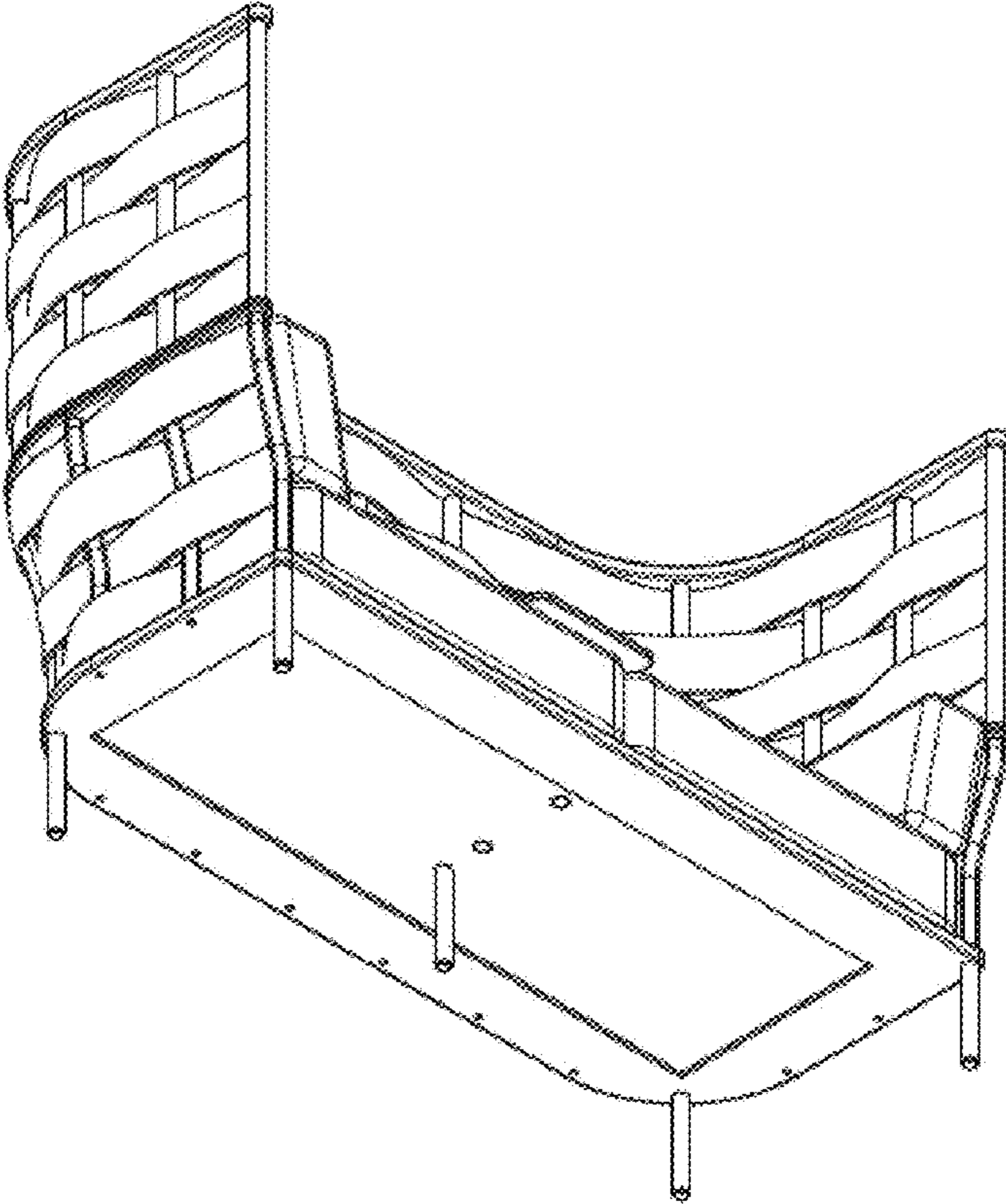


Figure 2



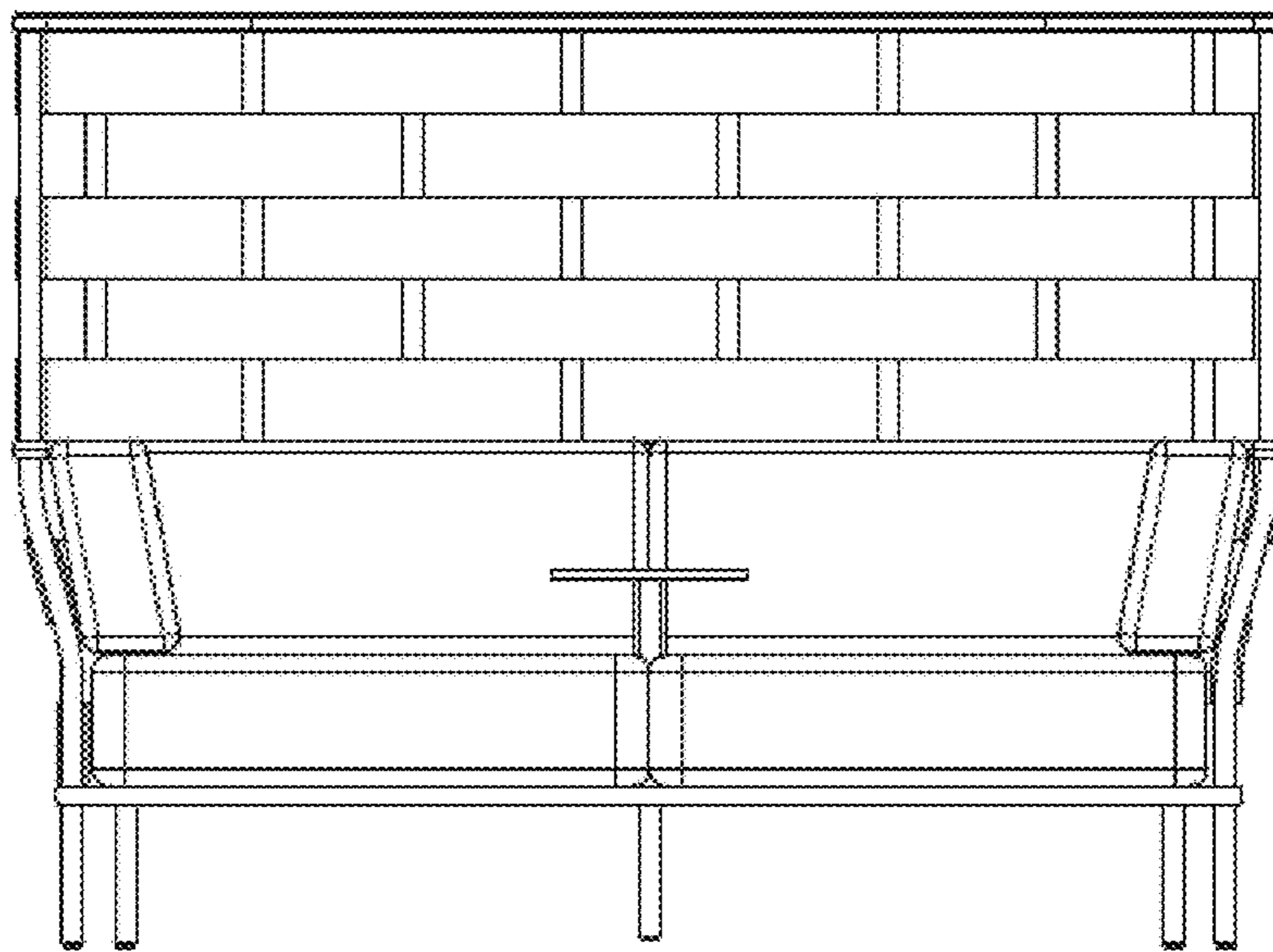


Figure 3

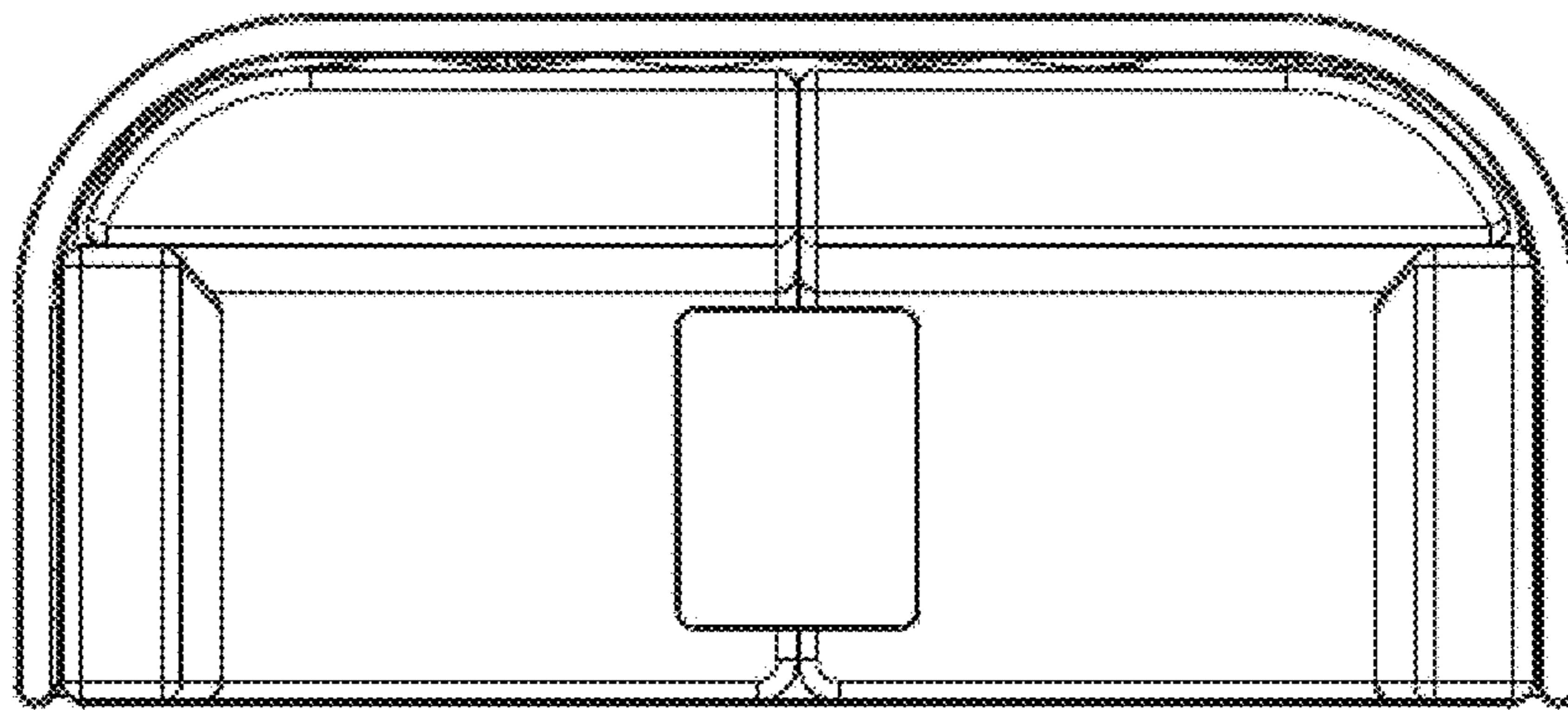


Figure 4

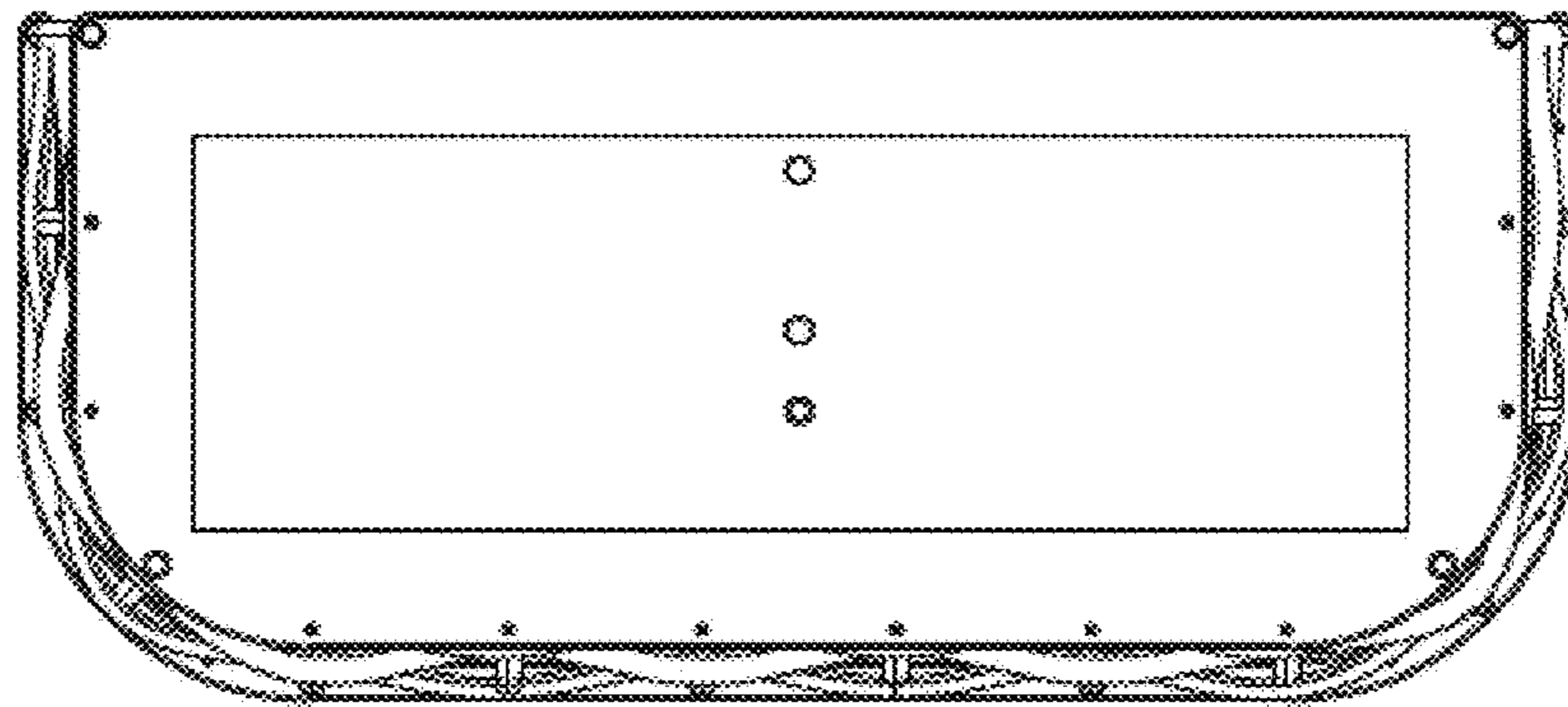


Figure 5

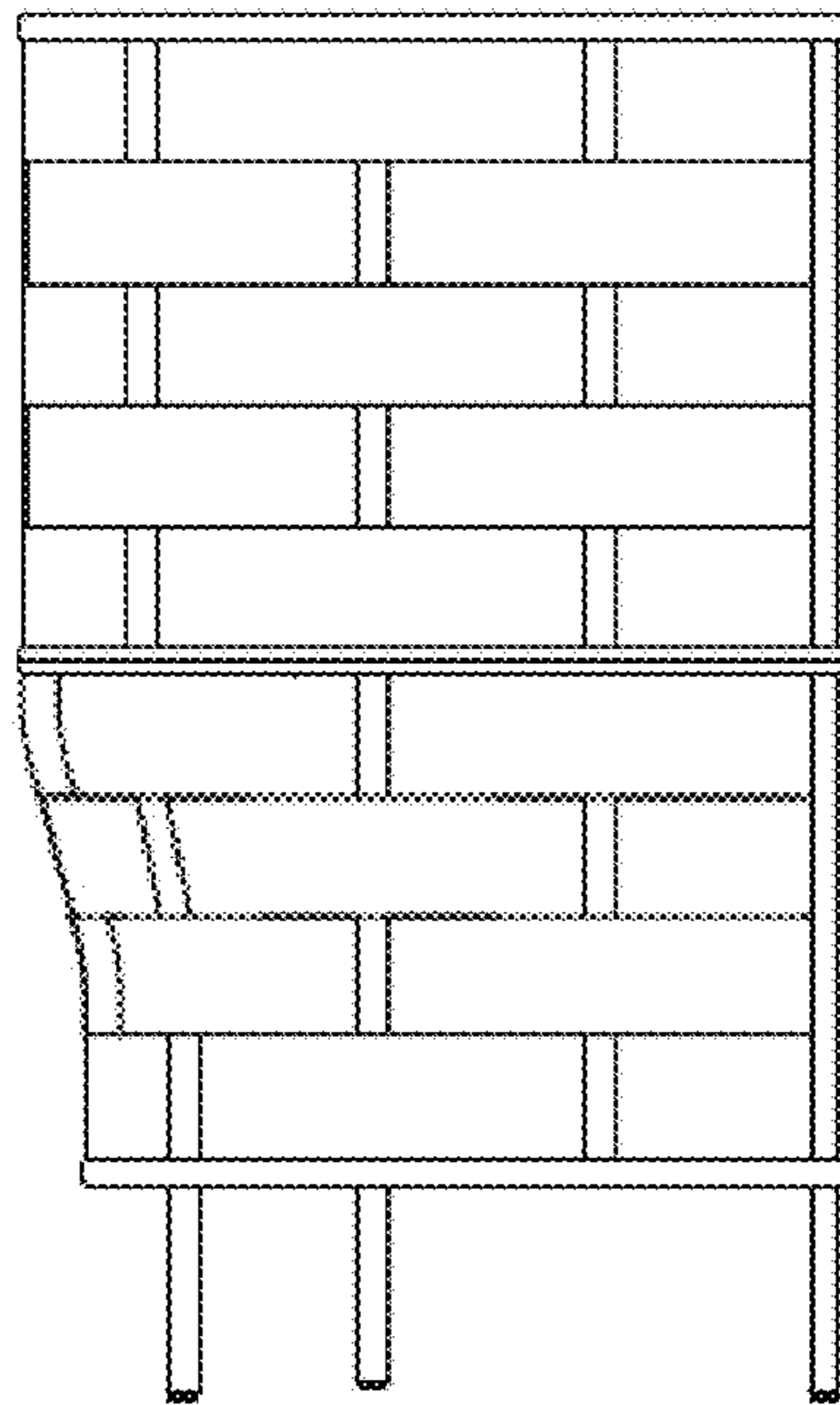


Figure 6

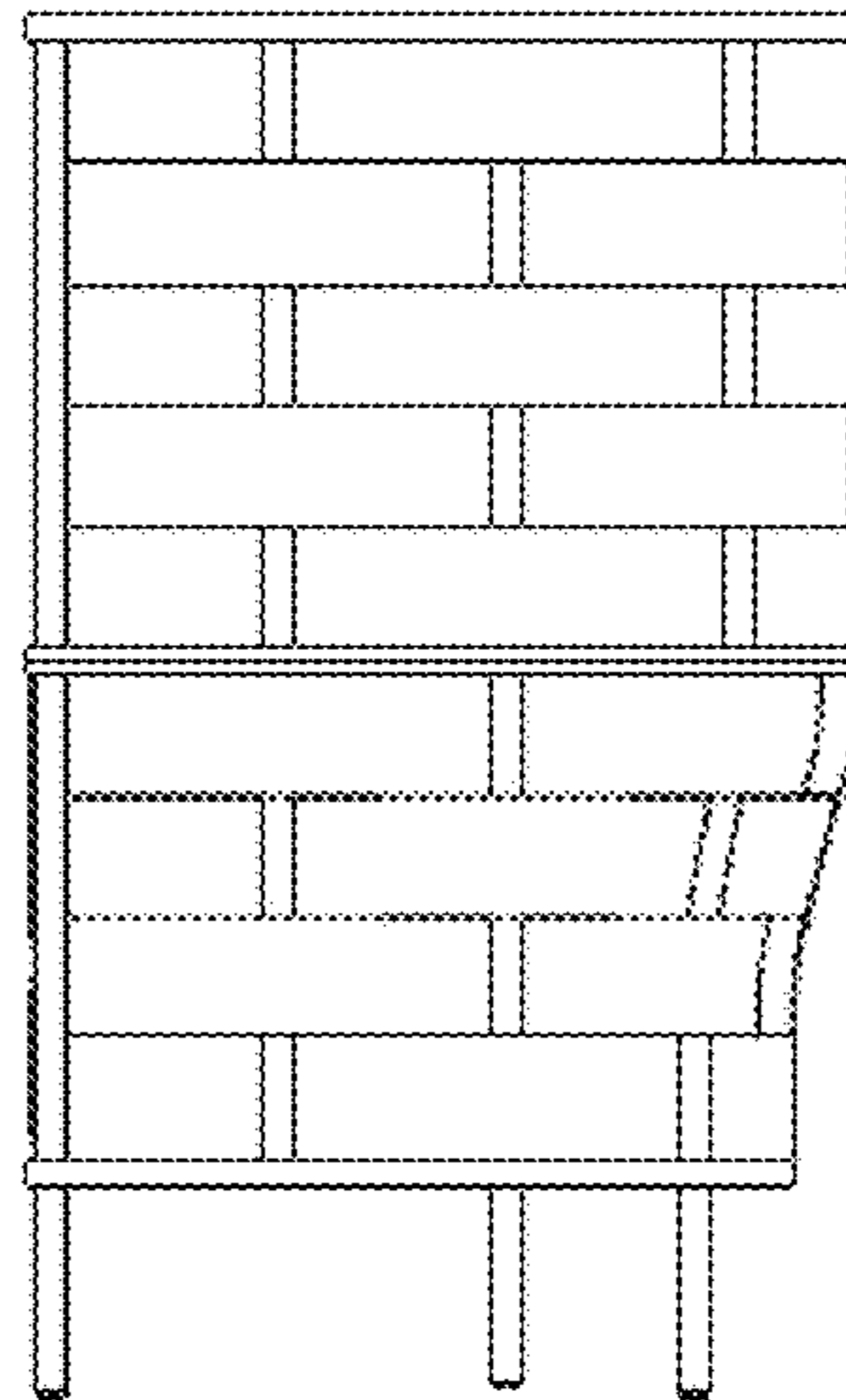


Figure 7