



US00D798613S

(12) **United States Design Patent**
Rost, Jr.

(10) **Patent No.:** **US D798,613 S**
(45) **Date of Patent:** **** Oct. 3, 2017**

(54) **SET OF COMBINED OFFICE PRIVACY PANELS**

(71) Applicant: **Regional Transportation District,**
Denver, CO (US)

(72) Inventor: **Richard Charles Rost, Jr.,** Englewood,
CO (US)

(73) Assignee: **REGIONAL TRANSPORTATION**
DISTRICT, Denver, CO (US)

(**) Term: **15 Years**

(21) Appl. No.: **29/567,821**

(22) Filed: **Jun. 13, 2016**

(51) **LOC (10) Cl.** **06-06**

(52) **U.S. Cl.**
USPC **D6/332**

(58) **Field of Classification Search**
USPC D6/332; D25/58
CPC E04B 2/74; E04B 2/7401; E04B 2/7405;
E04B 2/7407; E04B 2/7416; E04B
2/7422; E04B 2/7433; E04B 2/7437;
E04B 2/76; E04B 2/766; E04B 2/7809;
E04B 2002/7487; E04B 2/7438; E04B
1/8227; E04B 2/7409; E04B 2002/7479;
A47B 2220/02; A47G 5/00; A47G 5/02
See application file for complete search history.

(56) **References Cited**

U.S. PATENT DOCUMENTS

- 4,047,337 A * 9/1977 Bergstrom A47G 5/00
16/225
- 4,373,570 A * 2/1983 Nussdorf A47G 5/00
160/351
- 4,606,394 A * 8/1986 Bannister E04B 2/7416
16/354
- 4,637,178 A * 1/1987 Nimmo E04B 2/7438
160/135

- 5,371,982 A * 12/1994 Douglas E01F 7/00
52/243.1
- D353,946 S * 1/1995 Fischer D25/58
- 5,402,999 A * 4/1995 Keehn, Sr. A63B 71/023
160/135

(Continued)

OTHER PUBLICATIONS

CrowdControlExperts.com Announces a New Economy Stanchions Panel (on-line), dated Jun. 10, 2013. Retrieved from Internet May 4, 2017, URL: http://blog.crowdcontrolexperts.com/2013/06/crowdcontrolexpertscom-announces-new_10.html (1 page).*

(Continued)

Primary Examiner — Vy Koenig

Assistant Examiner — Kimberly Barnes

(74) *Attorney, Agent, or Firm* — Sheridan Ross PC

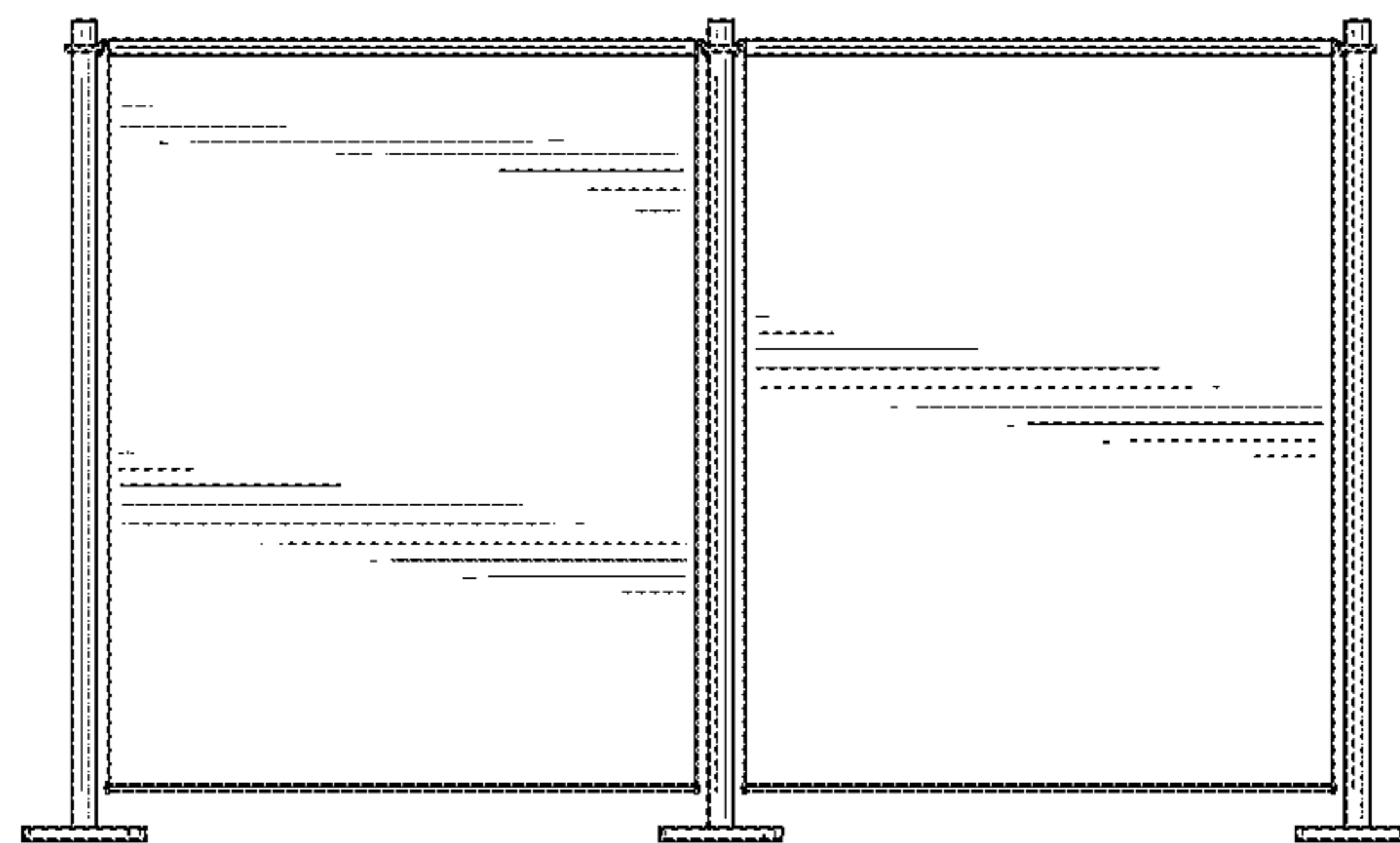
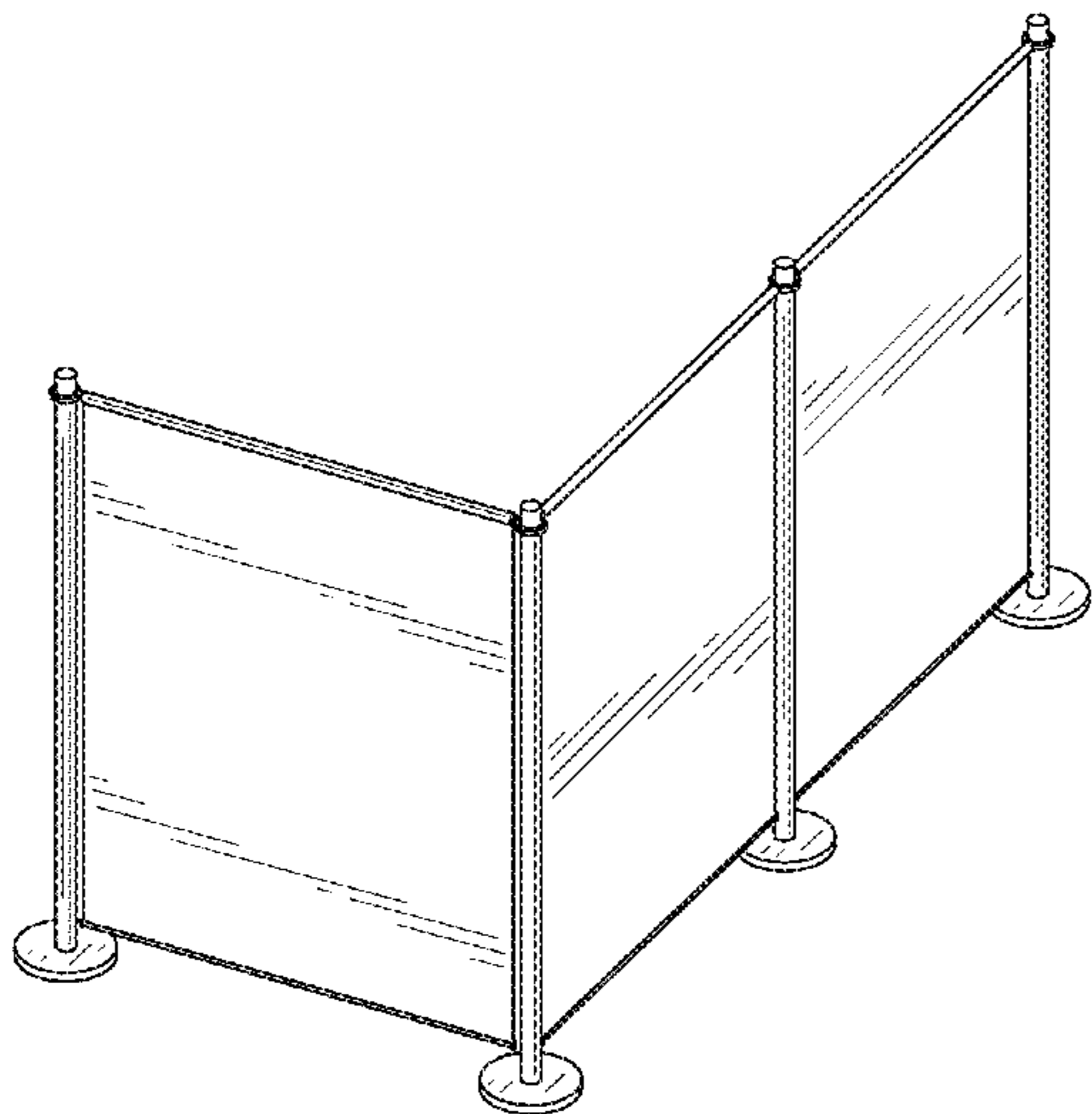
(57) **CLAIM**

The ornamental design for a set of combined office privacy panels, as shown and described.

DESCRIPTION

FIG. 1 is a perspective view of a set of combined office privacy panels;
FIG. 2 is a front elevation view of the set of combined office privacy panels in FIG. 1;
FIG. 3 is a rear elevation view of the set of combined office privacy panels in FIG. 1;
FIG. 4 is a right elevation view of the set of combined office privacy panels in FIG. 1;
FIG. 5 is a left elevation view of the set of combined office privacy panels in FIG. 1;
FIG. 6 is a top plan view of the set of combined office privacy panels in FIG. 1; and,
FIG. 7 is a bottom plan view of the set of combined office privacy panels in FIG. 1.

1 Claim, 4 Drawing Sheets



(56)

References Cited

U.S. PATENT DOCUMENTS

5,460,353 A * 10/1995 Rittenhouse A63B 71/028
160/135
5,595,230 A * 1/1997 Guerra E01F 7/00
135/900
6,142,701 A * 11/2000 Falcon E01F 13/028
160/24
6,370,803 B1 * 4/2002 Burquest G09F 15/0025
40/607.04
6,375,164 B1 * 4/2002 Siegler E01F 13/028
256/1
6,712,118 B2 * 3/2004 Nussdorf E04B 2/7433
160/351
6,751,914 B2 * 6/2004 Zeh A47B 83/001
108/60
6,830,236 B2 * 12/2004 Augusto de
Lorenzo E01F 13/028
256/1
6,969,050 B1 * 11/2005 Loebner E01F 13/028
256/1

D541,948 S * 5/2007 Robson D25/58
7,217,061 B2 * 5/2007 Stratton E01F 13/028
160/24
7,971,622 B2 * 7/2011 Trionfetti E04B 2/7416
160/122
8,371,460 B2 * 2/2013 Ghatikar E04B 2/7435
211/175
8,827,231 B1 * 9/2014 Blair A63B 71/023
248/507
8,833,018 B2 * 9/2014 Reinecke E04F 11/1812
248/181.1
D777,460 S * 1/2017 Martell D6/332
2008/0277639 A1 * 11/2008 Huang E04H 17/168
256/24

OTHER PUBLICATIONS

Modular Partitions (on-line), dated Sep. 30, 2016. Retrieved from Internet May 1, 2017, URL: [https://web-beta.archive.org/web/20160930090549?http://www.peterpepper.com:80/products/modular-partitions/slalom](https://web-beta.archive.org/web/20160930090549/http://www.peterpepper.com:80/products/modular-partitions/slalom) (4 pages).*

* cited by examiner

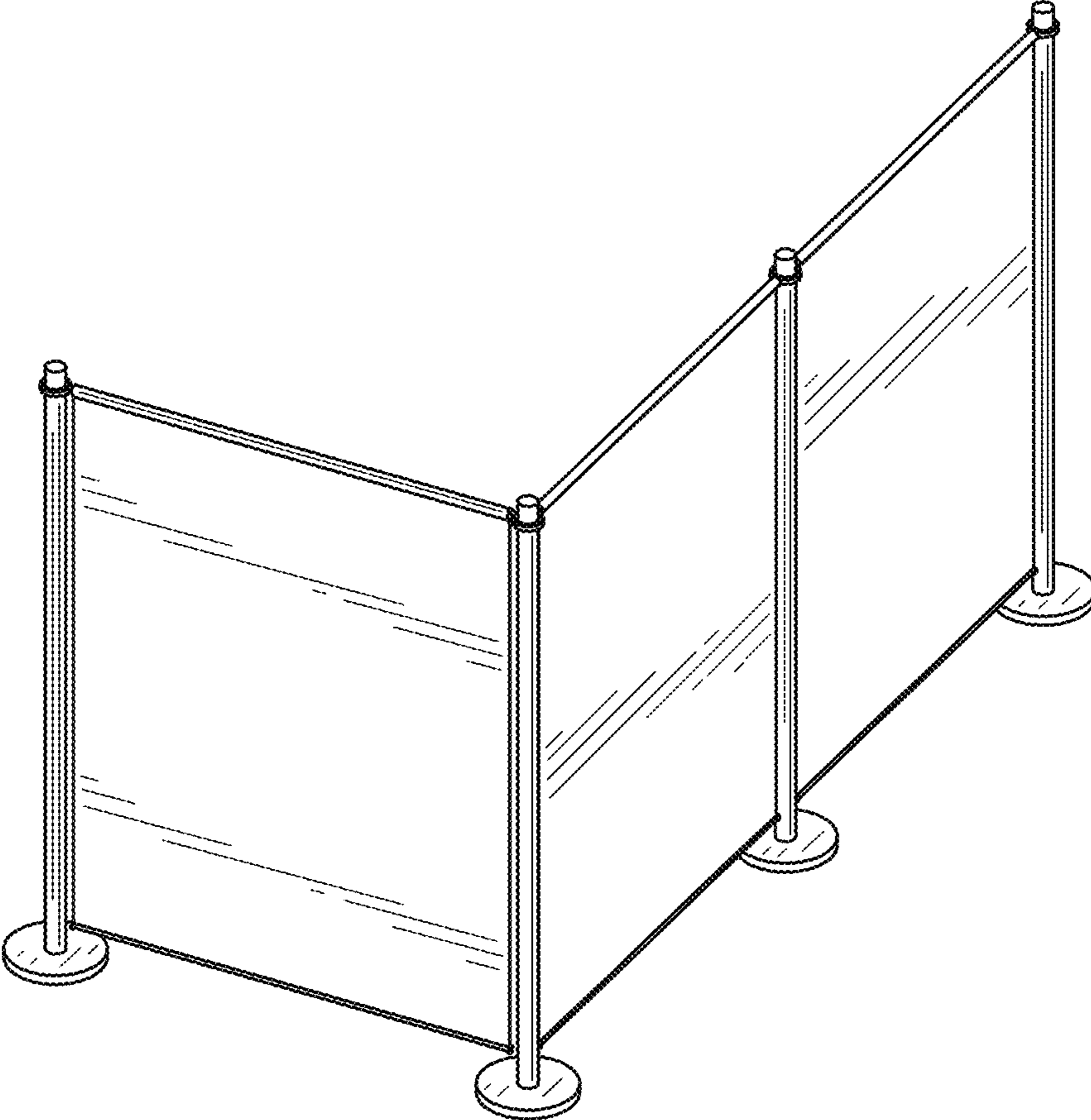


FIG.1

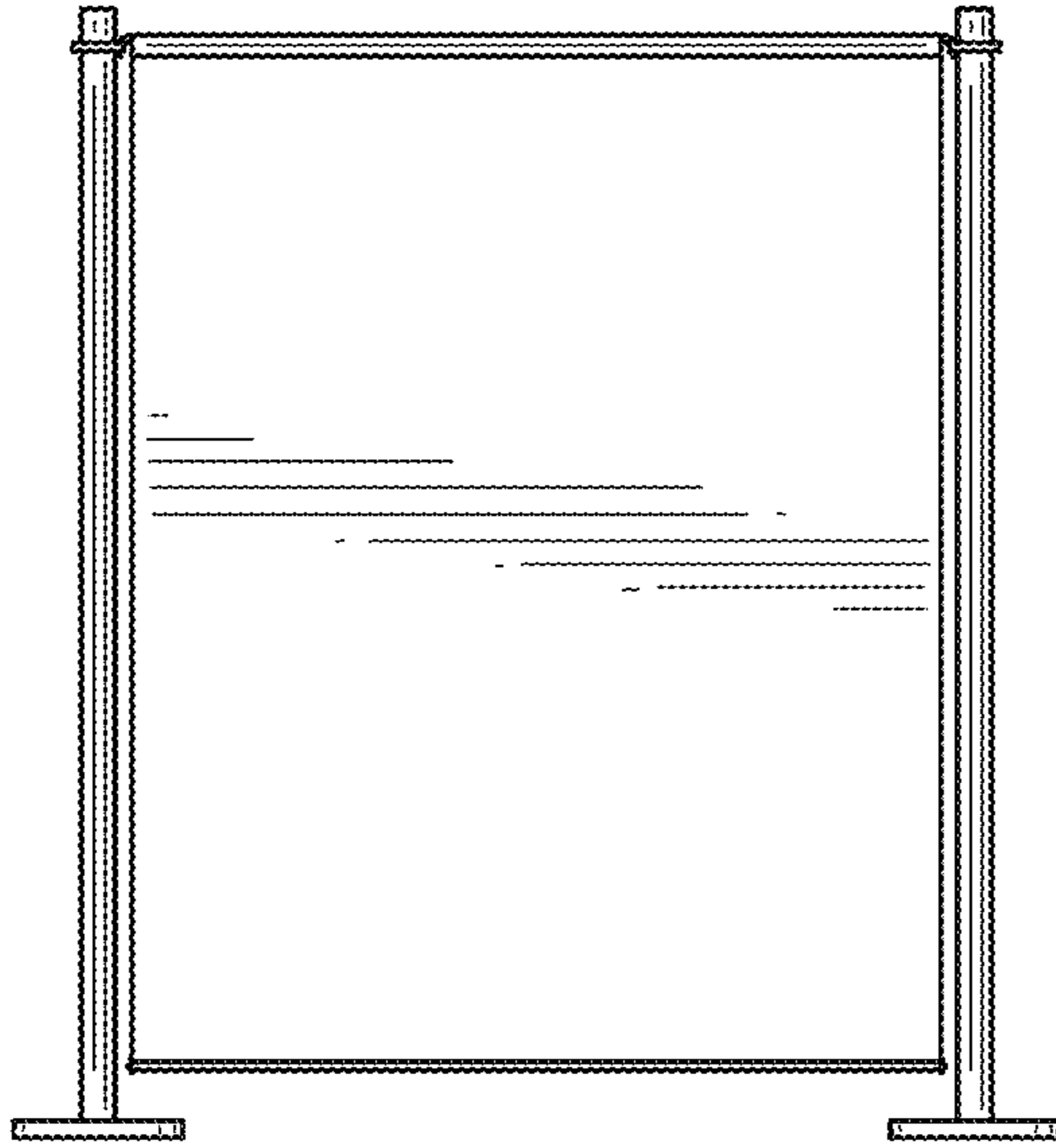


FIG. 2

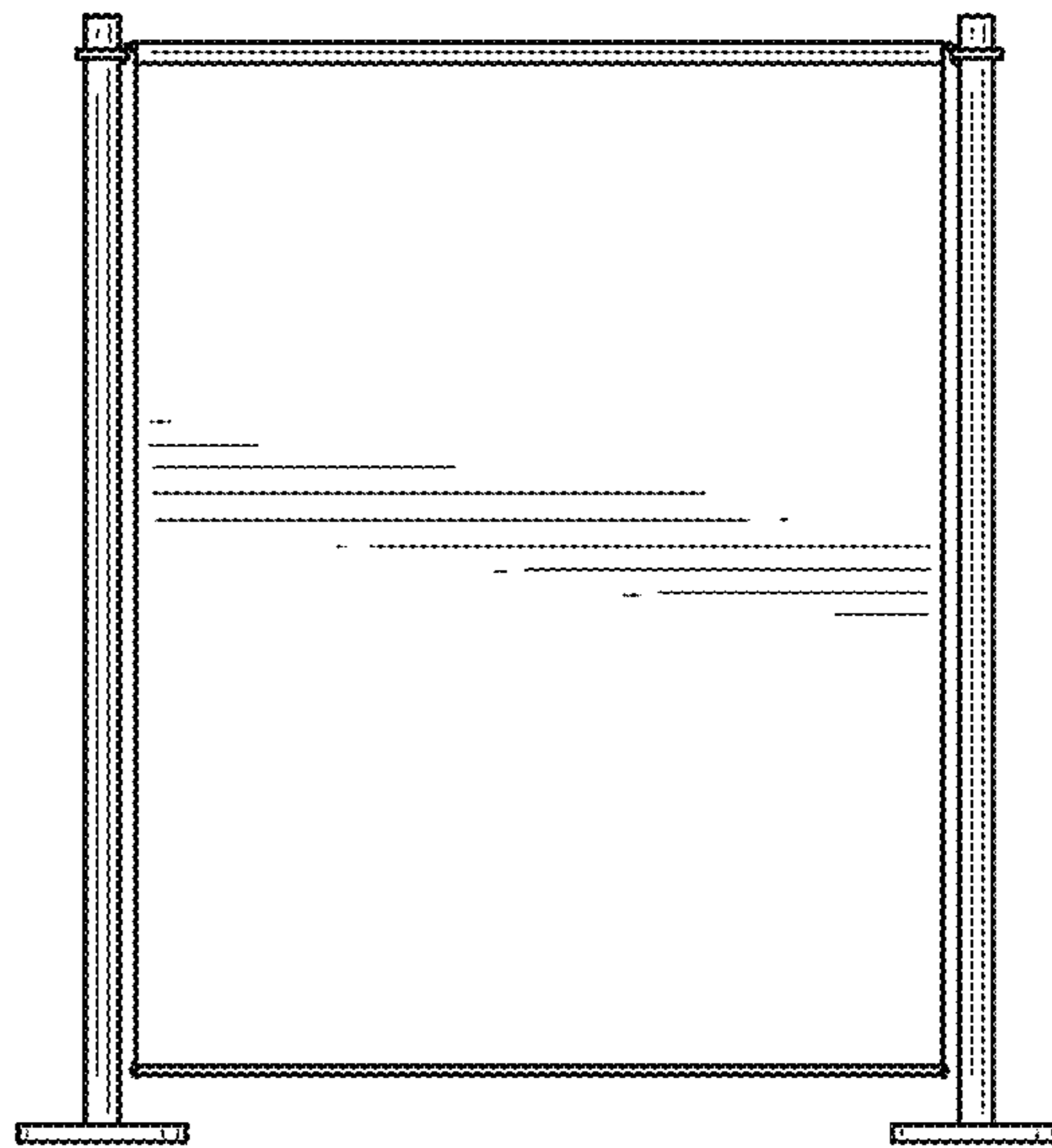


FIG. 3

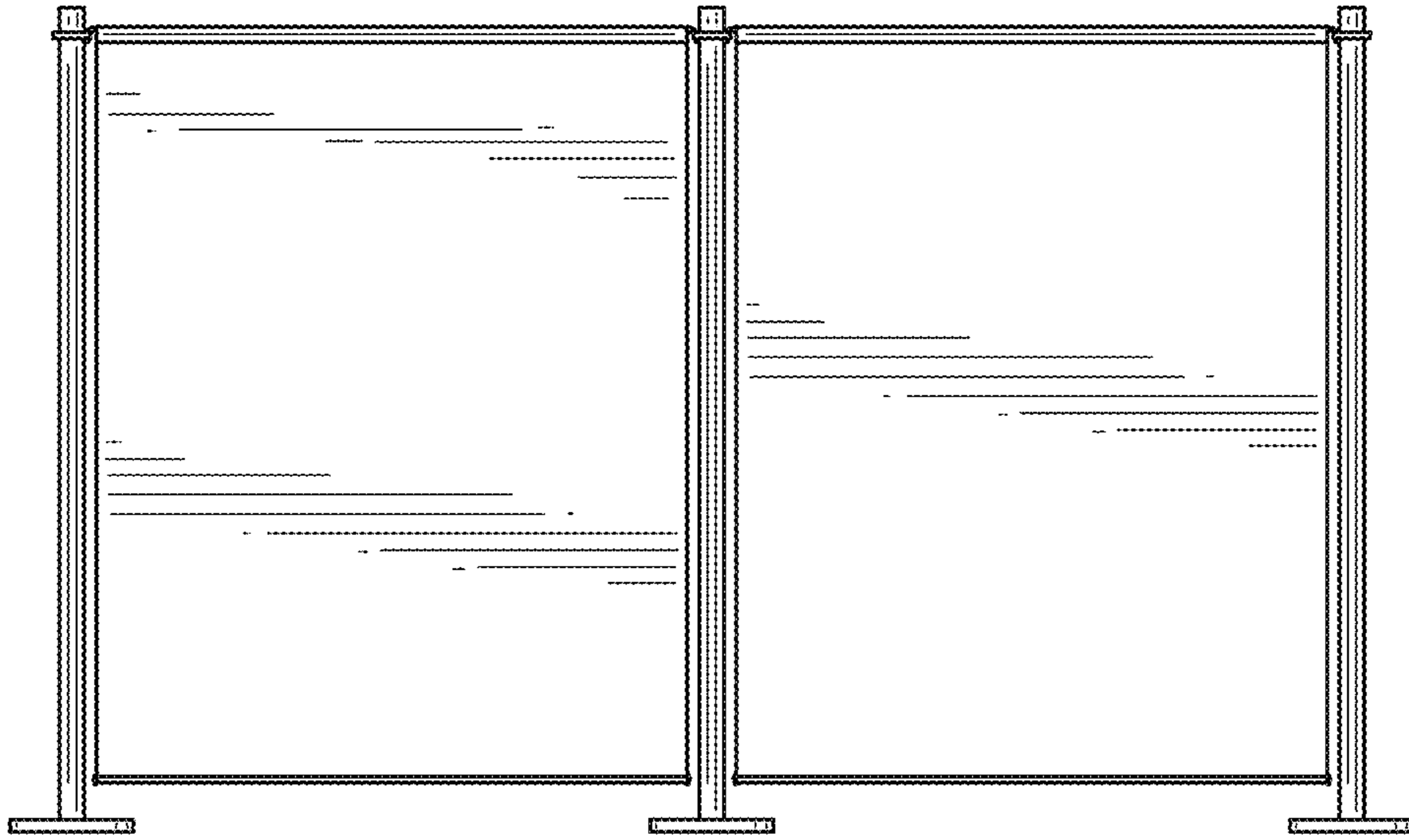


FIG. 4

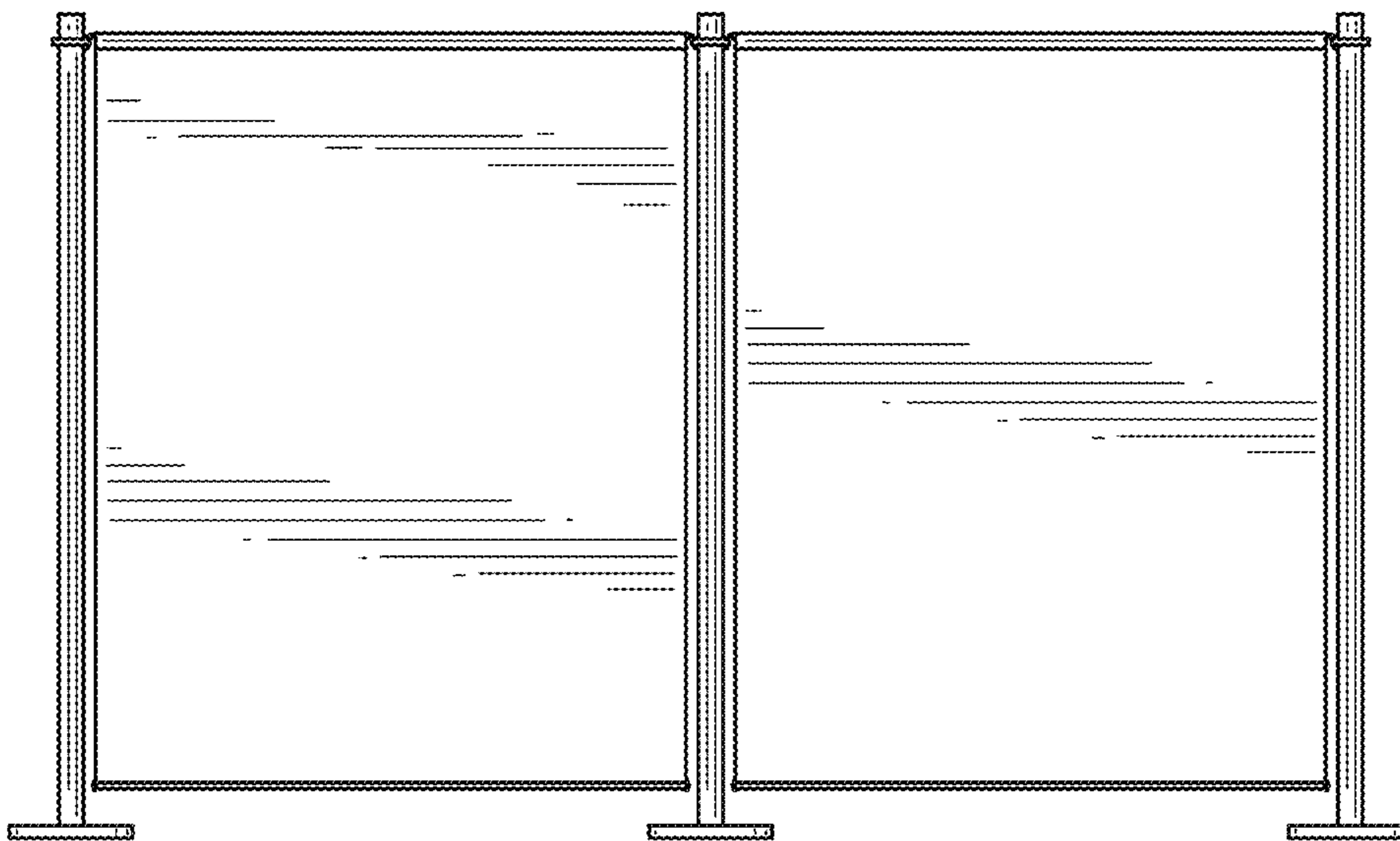


FIG. 5

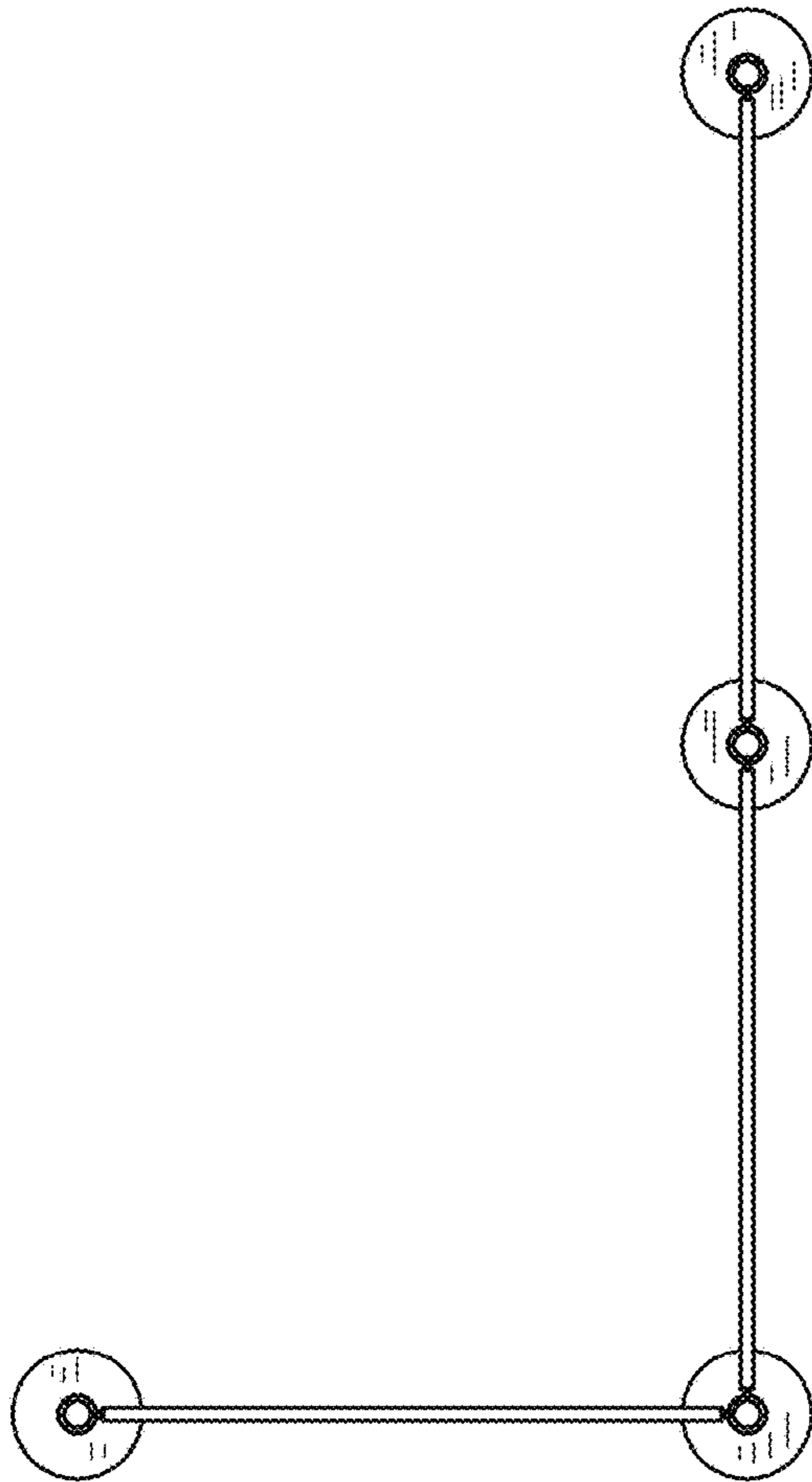


FIG. 6

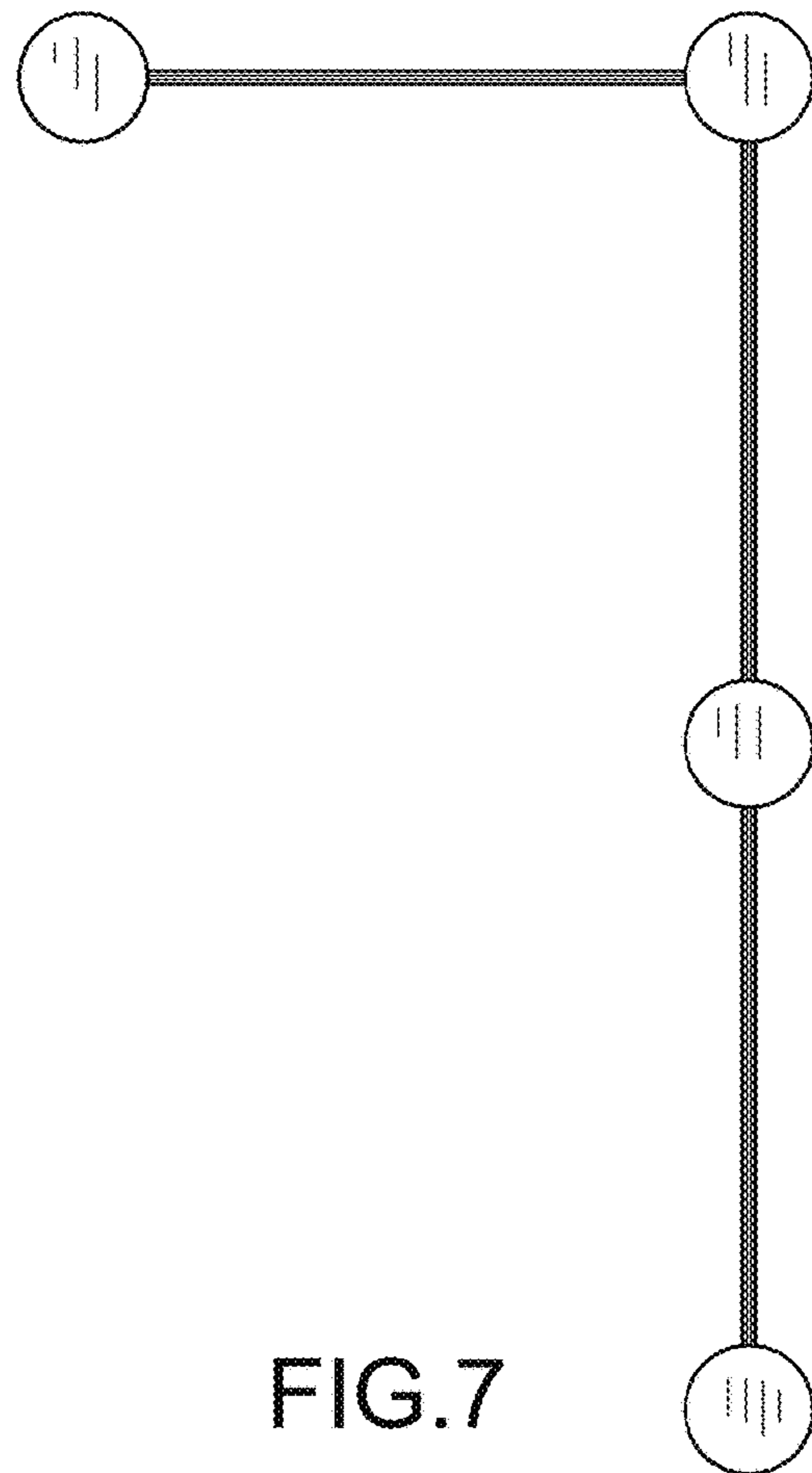


FIG. 7