



US00D798609S

(12) **United States Design Patent**
Henschel

(10) **Patent No.:** **US D798,609 S**

(45) **Date of Patent:** **** Oct. 3, 2017**

(54) **FOLDING PRAYER BENCH**

(71) Applicant: **Tower Stool, LLC**, Faith, SD (US)

(72) Inventor: **Reed E. Henschel**, Faith, SD (US)

(73) Assignee: **Tower Stool, LLC**, Faith, SD (US)

(**) Term: **15 Years**

(21) Appl. No.: **29/569,681**

(22) Filed: **Jun. 29, 2016**

(51) **LOC (10) Cl.** **06-01**

(52) **U.S. Cl.**
USPC **D6/330**

(58) **Field of Classification Search**
USPC D6/381, 335-337, 349-355, 330, 367,
D6/369-370, 364; 5/12.1;

(Continued)

(56) **References Cited**

U.S. PATENT DOCUMENTS

409,677 A 8/1889 Forman
600,912 A 3/1898 Good et al.

(Continued)

FOREIGN PATENT DOCUMENTS

GB 397954 9/1933
GB 597003 1/1948

OTHER PUBLICATIONS

Webpage entitled "Tower Folding Stools & Benches," accessed at <http://www.towerstool.com/foldingstools.html>, printed Jul. 23, 2012, 2 pages.

(Continued)

Primary Examiner — Abraham T Bahta

(74) *Attorney, Agent, or Firm* — James L. Young;
Westman, Champlin & Koehler

(57) **CLAIM**

The ornamental design for a folding prayer bench, as shown and described.

DESCRIPTION

FIG. 1 is a perspective view of the present invention in an open position;

FIG. 2 is a front elevational view of the present invention in an open position;

FIG. 3 is a rear elevational view of the present invention in an open position;

FIG. 4 is a side elevational view of the present invention in an open position, as taken from the left side in FIG. 1;

FIG. 5 is a side elevational view of the present invention in an open position, as taken from the right side in FIG. 1;

FIG. 6 is a top plan view of the present invention in an open position;

FIG. 7 is a bottom plan view of the present invention in an open position;

FIG. 8 is a perspective view of the present invention in a folded or collapsed position;

FIG. 9 is a front elevational view of the present invention in a folded or collapsed position;

FIG. 10 is a rear elevational view of the present invention in a folded or collapsed position;

FIG. 11 is a side elevational view of the present invention in a folded or collapsed position, as taken from the left side in FIG. 8;

FIG. 12 is a side elevational view of the present invention in a folded or collapsed position, as taken from the right side in FIG. 8;

FIG. 13 is a top plan view of the present invention in a folded or collapsed position;

FIG. 14 is a bottom plan view of the present invention in a folded or collapsed position;

FIG. 15 is a perspective view of a second embodiment of the present invention in an open position;

FIG. 16 is a front elevational view of the present invention of FIG. 15 in an open position;

FIG. 17 is a rear elevational view of the present invention of FIG. 15 in an open position;

(Continued)

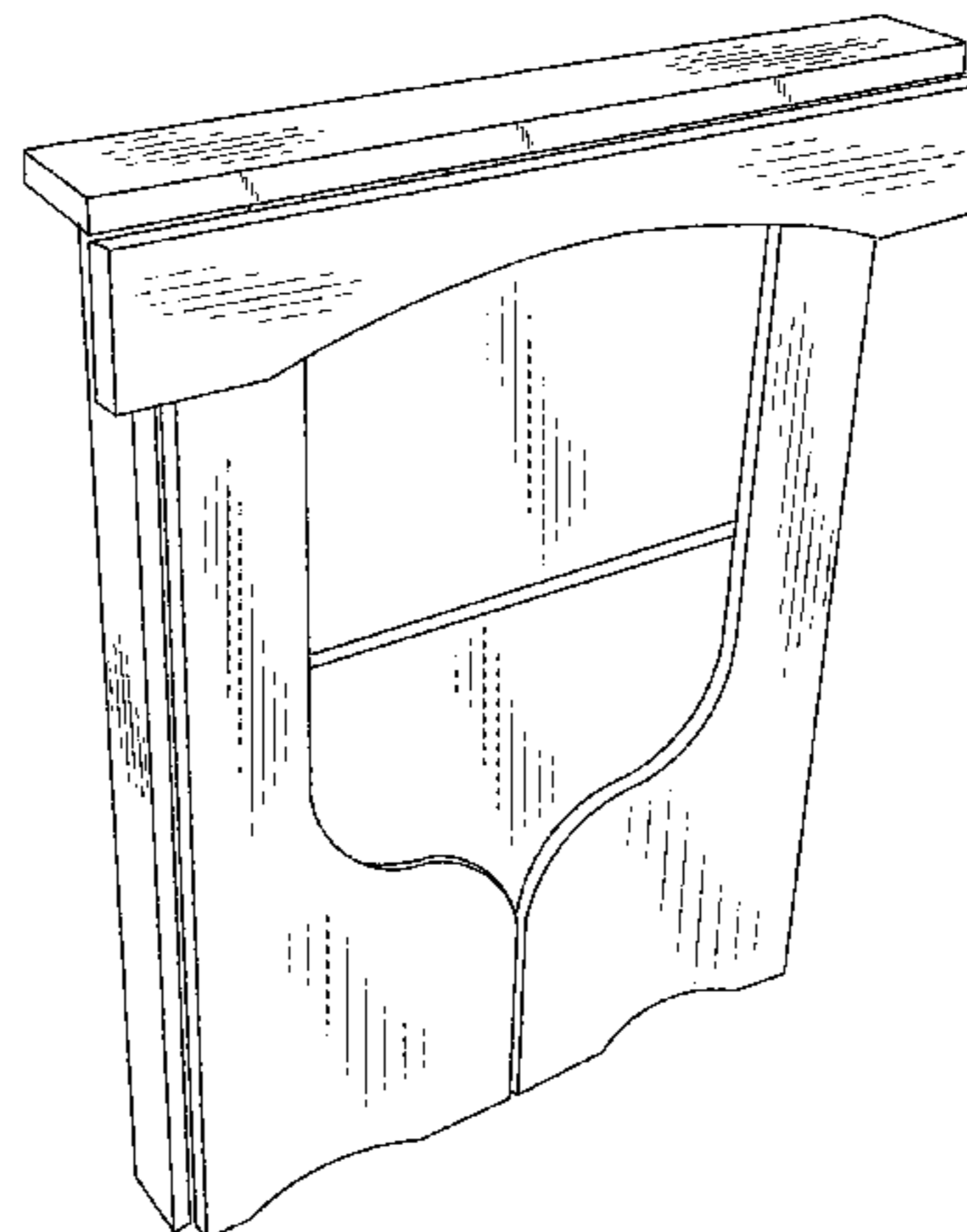
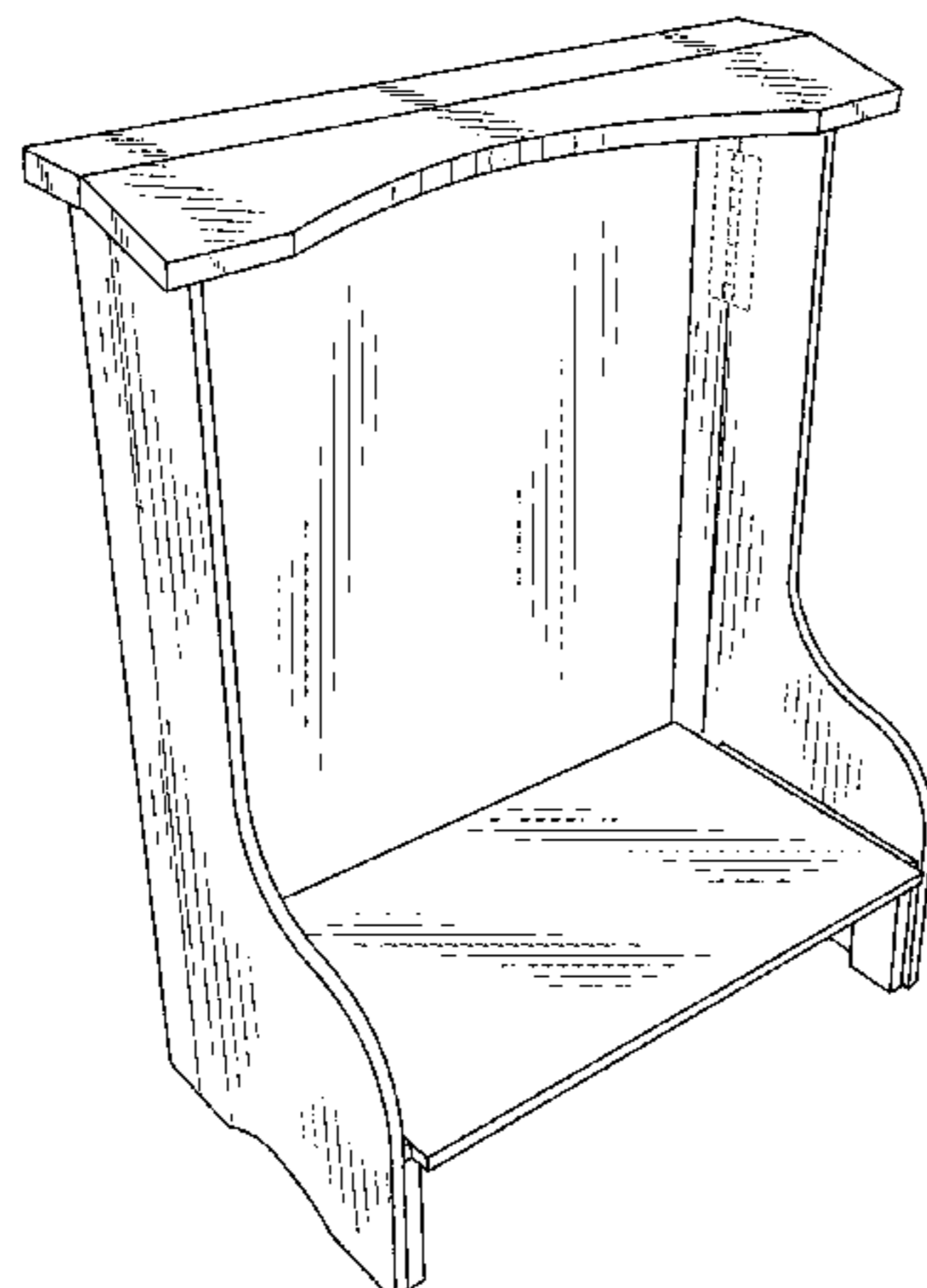


FIG. 18 is a side elevational view of the present invention of FIG. 15 in an open position, as taken from the left side of FIG. 15;
 FIG. 19 is a side elevational view of the present invention of FIG. 15 in an open position, as taken from the right side of FIG. 15;
 FIG. 20 is a top plan view of the present invention of FIG. 15 in an open position;
 FIG. 21 is a bottom plan view of the present invention of FIG. 15 in an open position;
 FIG. 22 is a perspective view of the present invention of FIG. 15 in a folded or collapsed position;
 FIG. 23 is a front elevational view of the present invention of FIG. 15 in a folded or collapsed position;
 FIG. 24 is a rear elevational view of the present invention of FIG. 15 in a folded or collapsed position;
 FIG. 25 is a side elevational view of the present invention of FIG. 15 in a folded or collapsed position, as taken from the left side in FIG. 22;
 FIG. 26 is a side elevational view of the present invention of FIG. 15 in a folded or collapsed position, as taken from the right side in FIG. 22;
 FIG. 27 is a top plan view of the present invention in a folded or collapsed position; and,
 FIG. 28 is a bottom plan view of the present invention in a folded or collapsed position.
 The dashed lines are for environmental purposes only, and form no part of the claimed design.
 The dotted breakaway lines in FIGS. 15, 16, 17, 20, 21, 22, 23, 24, 27 and 28 indicate a symbolic break in the width of the design for the folding prayer bench indicating no specific width. The appearance of any portion of the article between the cutaway lines forms no part of the claimed design.

1 Claim, 12 Drawing Sheets

(58) **Field of Classification Search**

USPC 297/16.1-16.2, 451.9, 452.11, 452.63,
 297/423.1, 423.16, 461, 423.11, 445.1,
 297/462
 CPC A47C 4/00; A47C 4/02; A47C 9/00; A47C
 9/02; A47C 9/002; A47C 9/007; A47C
 9/025

See application file for complete search history.

(56) **References Cited**

U.S. PATENT DOCUMENTS

619,093	A	2/1899	Shadinger	
703,690	A	7/1902	Young	
735,906	A	8/1903	Prasky	
897,108	A	8/1908	Kendall	
900,552	A	10/1908	Kade	
1,016,523	A	2/1912	Rinner	
1,673,769	A	6/1928	Graham	
D84,467	S	6/1931	Ehrhart	
1,822,586	A	9/1931	Douglas et al.	
1,970,196	A	9/1934	Hanson	
D98,864	S	3/1936	Janssen	
2,101,259	A *	12/1937	Landau	A47C 11/02 297/187
2,232,346	A	2/1941	Sikes	
D134,727	S	1/1943	Weber	
D156,324	S	12/1949	Dastugue	
D170,311	S	9/1953	Dohery	
2,868,407	A	1/1959	Woodcock	

2,525,838	A	10/1960	Smith et al.	
3,077,282	A	2/1963	Eggers	
3,120,076	A	2/1964	Zuch	
D199,190	S *	9/1964	Burg	D6/330
D200,783	S	4/1965	Carr	
3,188,158	A	6/1965	Sanchez	
3,592,143	A	7/1971	Krone	
3,673,636	A	7/1972	Ruiz	
D224,994	S	10/1972	Sokolowski	
3,746,203	A	7/1973	Cipolla	
D242,102	S	11/1976	Stirling	
4,043,277	A	8/1977	Wallace	
4,122,638	A	10/1978	O'Brian et al.	
4,253,268	A	3/1981	Mayr	
D263,178	S *	3/1982	Van Linden	D6/330
D265,026	S	6/1982	Macho et al.	
4,383,488	A	5/1983	Macho et al.	
4,437,413	A	3/1984	O'Brian	
4,437,714	A	3/1984	Struck	
4,630,861	A	12/1986	Henschel	
4,807,329	A	2/1989	Mossalgue	
4,813,742	A	3/1989	Cardinael	
D306,535	S	3/1990	Evenson	
5,323,921	A	6/1994	Olsson	
5,361,456	A	11/1994	Newby, Sr.	
D367,563	S	3/1996	Murken	
D371,464	S *	7/1996	Lewis	D6/355
D376,266	S *	12/1996	Lewis	D6/355
5,697,669	A	12/1997	Yemini	
D396,576	S	8/1998	Moore	
D403,186	S	12/1998	Kopish	
5,845,366	A	12/1998	Kuroda	
5,882,095	A	3/1999	Green	
5,940,934	A	8/1999	Turner	
D415,621	S *	10/1999	Queen	D6/330
6,267,111	B1	7/2001	Burton	
D457,333	S *	5/2002	Walters, III	D6/355
D460,566	S	7/2002	Henschel et al.	
1,467,100	A1	12/2002	Hand	
D469,847	S	2/2003	Schroeder	
D493,051	S	7/2004	Restemayer	
6,938,789	B1	9/2005	Matias et al.	
D510,485	S *	10/2005	Selby	D6/330
D528,820	S *	9/2006	Whitley, Jr.	D6/381
D531,429	S	11/2006	Henschel	
D545,082	S *	6/2007	Shaw	D6/678.1
D548,494	S	8/2007	Mercs	
D553,372	S	10/2007	Henschel	
D606,336	S	12/2009	Henschel	
D612,160	S *	3/2010	Carino	D6/330
D613,525	S	4/2010	Henschel	
D675,461	S	2/2013	Henschel	
2010/0300334	A1	12/2010	Tcholakov	

OTHER PUBLICATIONS

Webpage entitled "Folding Portable Sales Counter," accessed at <http://www.towerstool.com/salescounter.html>, printed Jul. 23, 2012, 1 page.
 Webpage entitled "Folding Utility Table," accessed at <http://www.towerstool.com/utilitytable.html>, printed Jul. 23, 2012, 1 page.
 Webpage entitled "Folding RV Step (title did not print)," accessed at <http://www.towerstool.com/rvstepstool.html>, printed Jul. 23, 2012, 1 page.
 Webpage entitled "Lecterns (title did not print)," accessed at <http://www.towerstool.com/lecterns.html>, printed Jul. 23, 2012, 2 pages.
 Webpage entitled "Pedestals," accessed at <http://www.towerstool.com/pedestal.html>, printed Jul. 23, 2012, 3 pages.
 Webpage entitled "This Package Includes . . . ," accessed at <http://www.towerstool.com/truktable.html>, printed Jul. 23, 2012, 1 page.
 Webpage entitled "Plastic Folding Stools," accessed at <http://www.towerstool.com/plasticstools.html>, printed Jul. 23, 2012, 1 page.

* cited by examiner

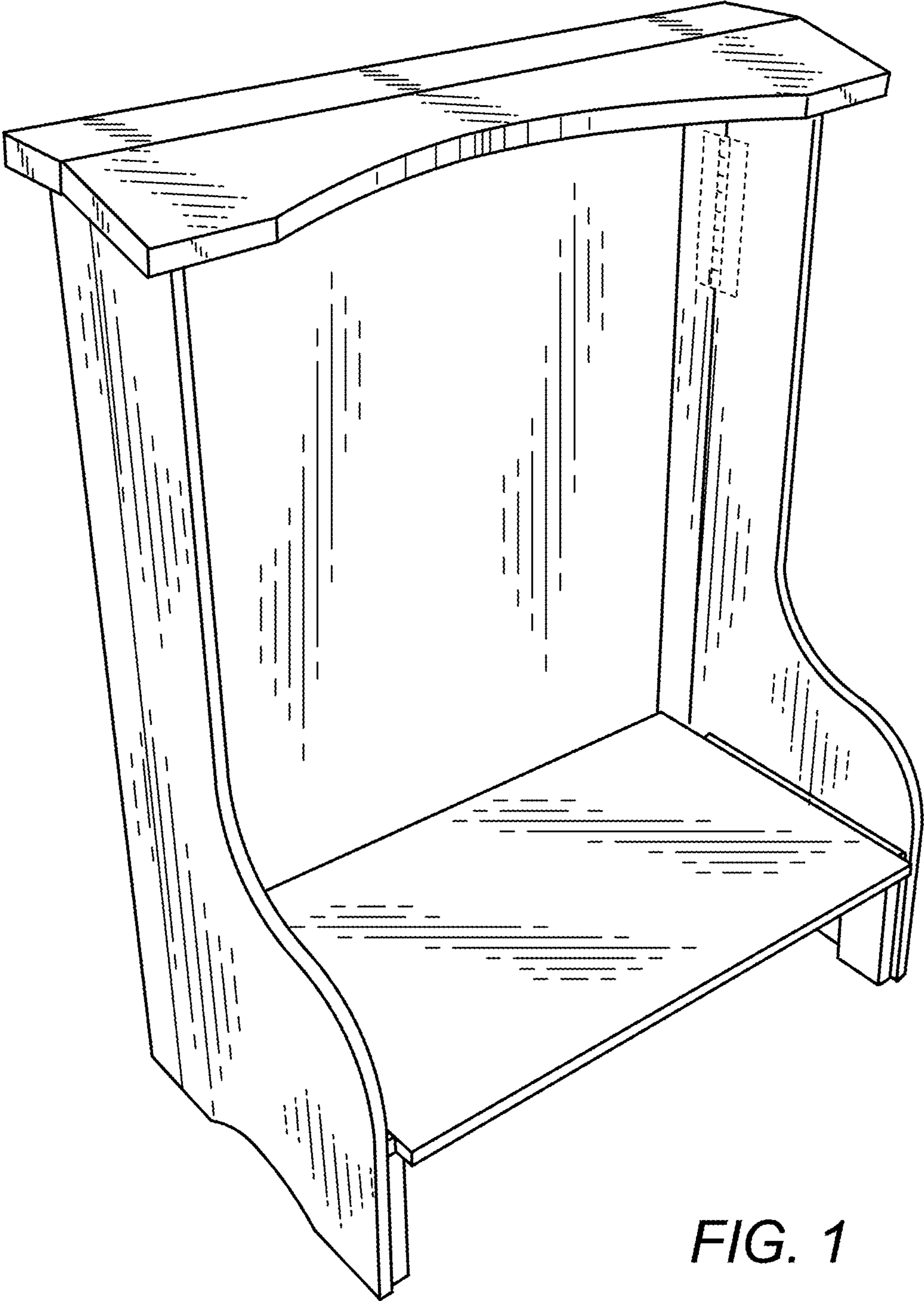


FIG. 1

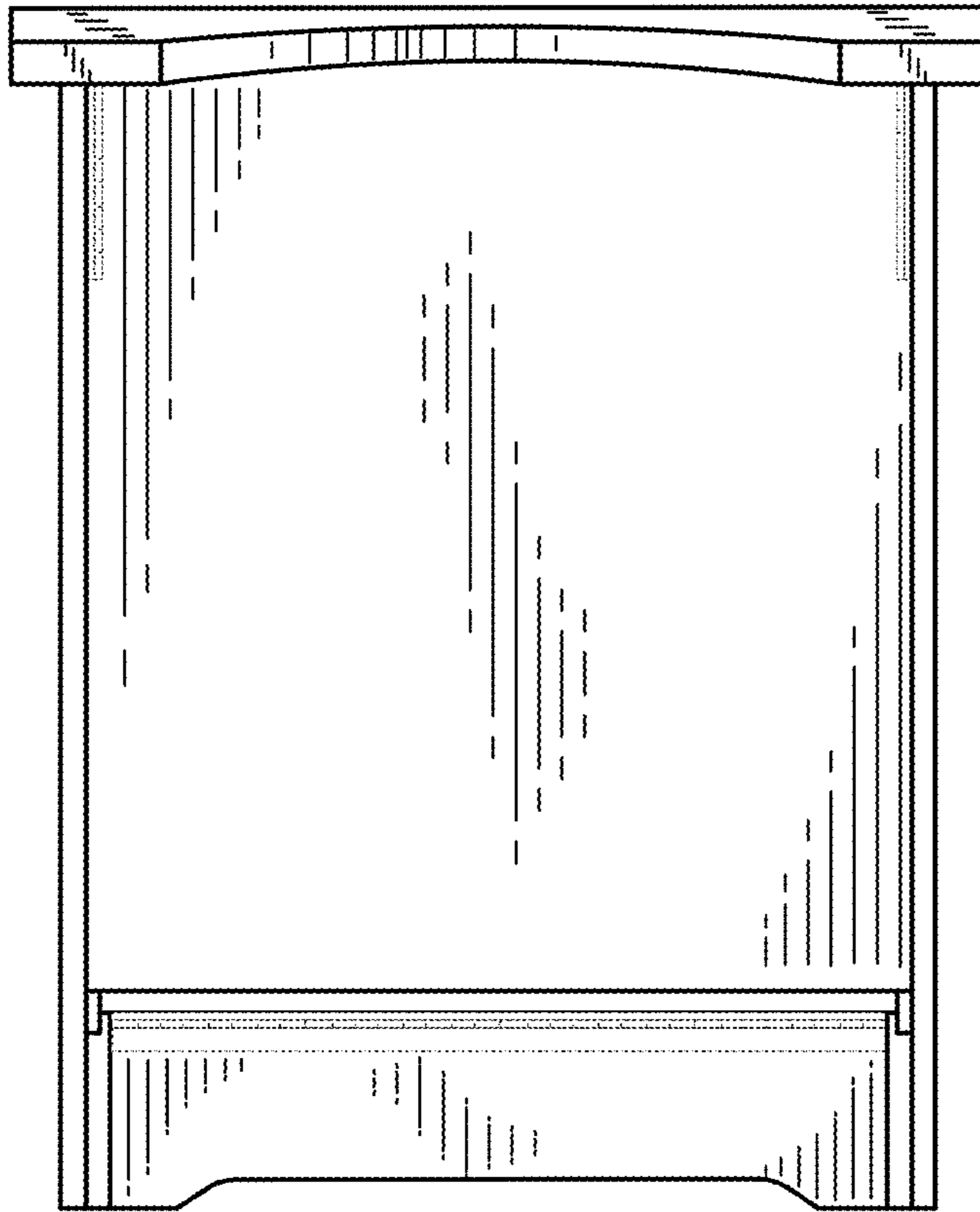


FIG. 2

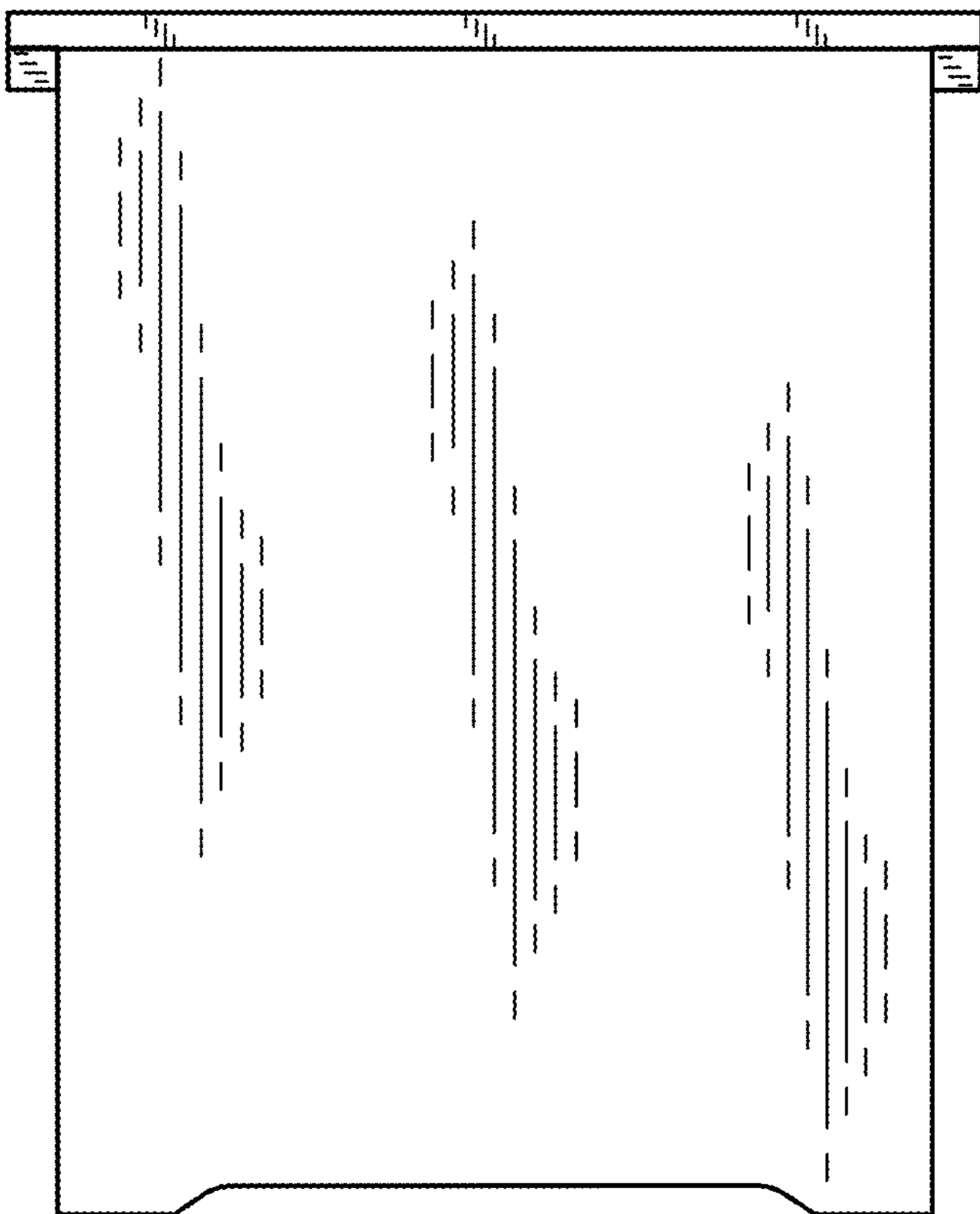


FIG. 3

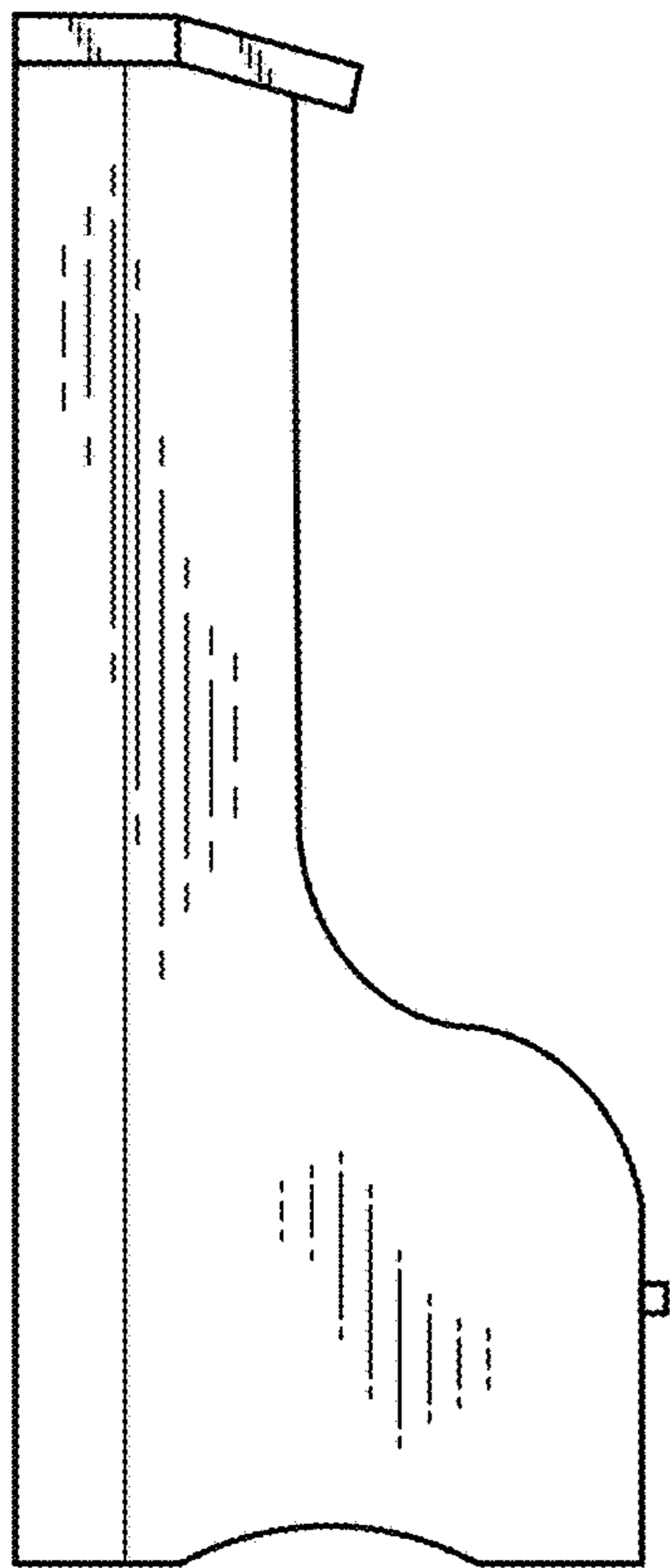


FIG. 4

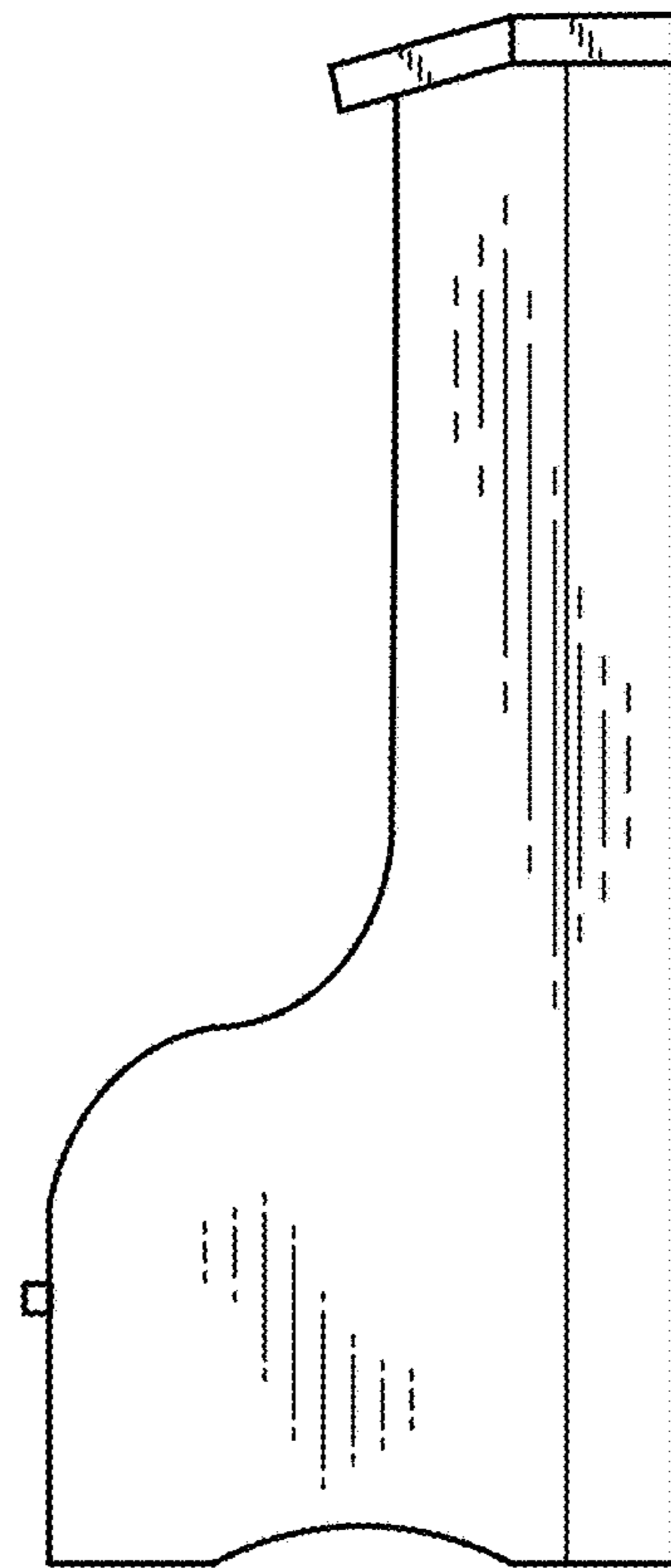


FIG. 5

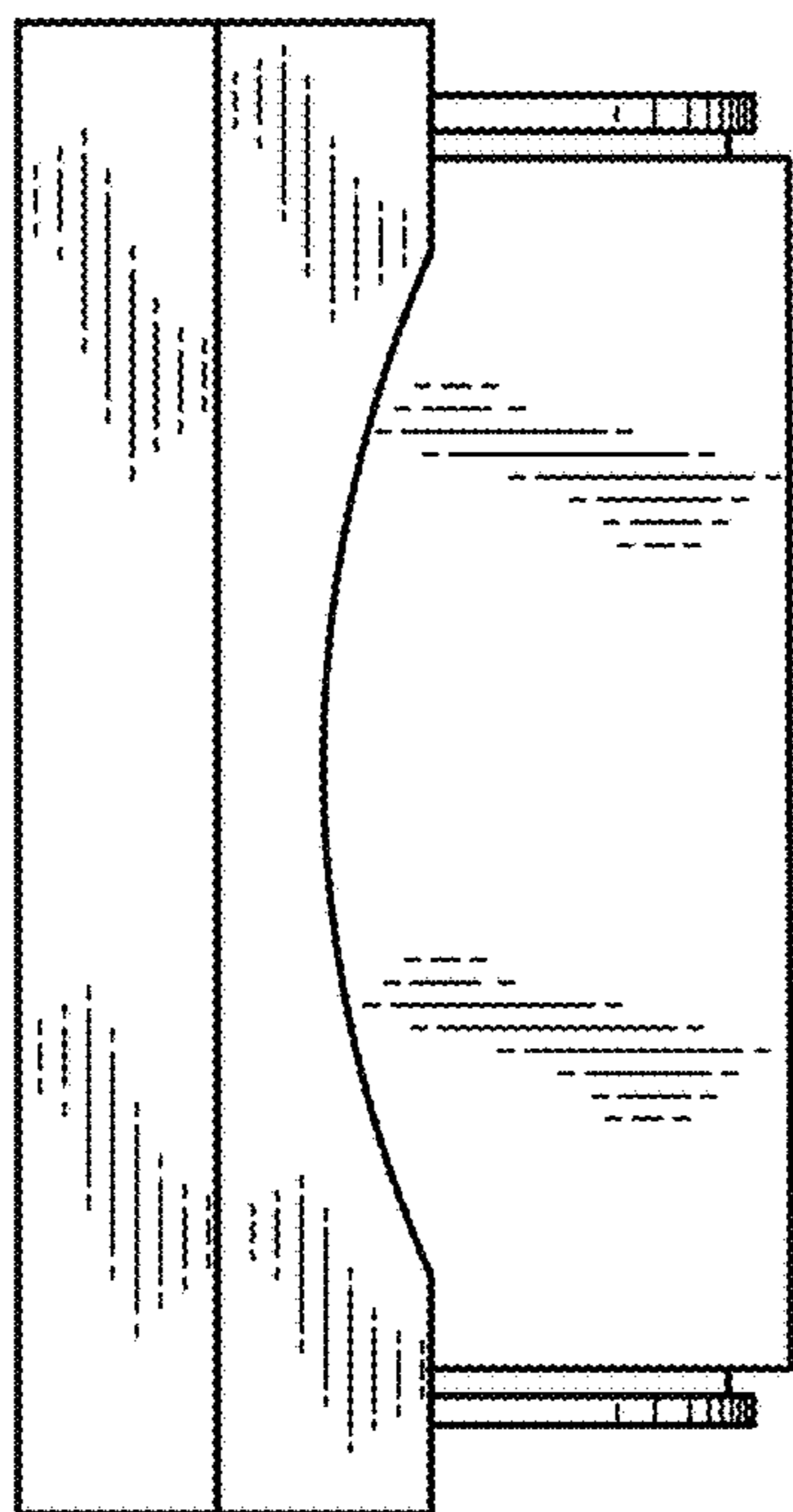


FIG. 6

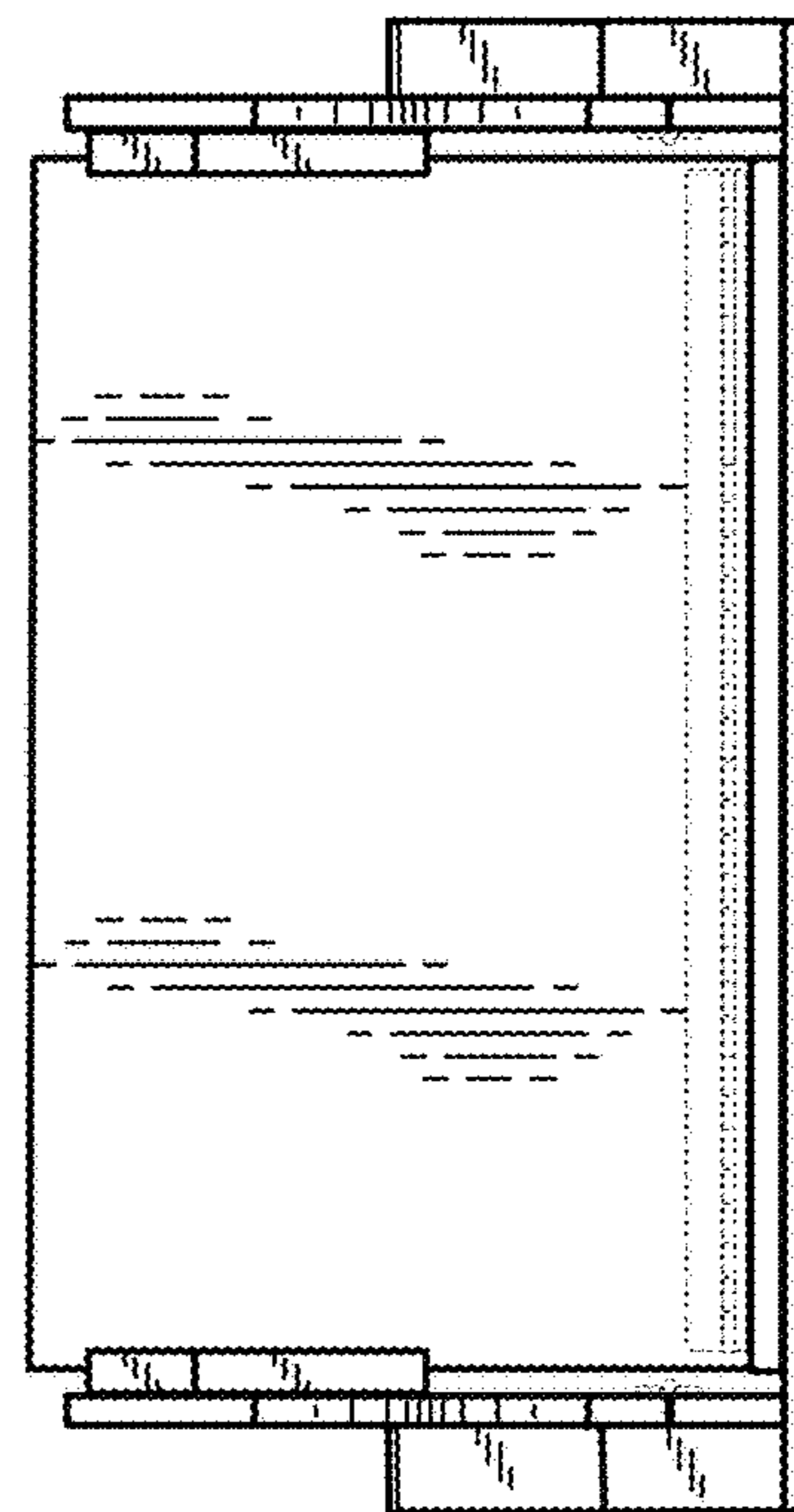


FIG. 7

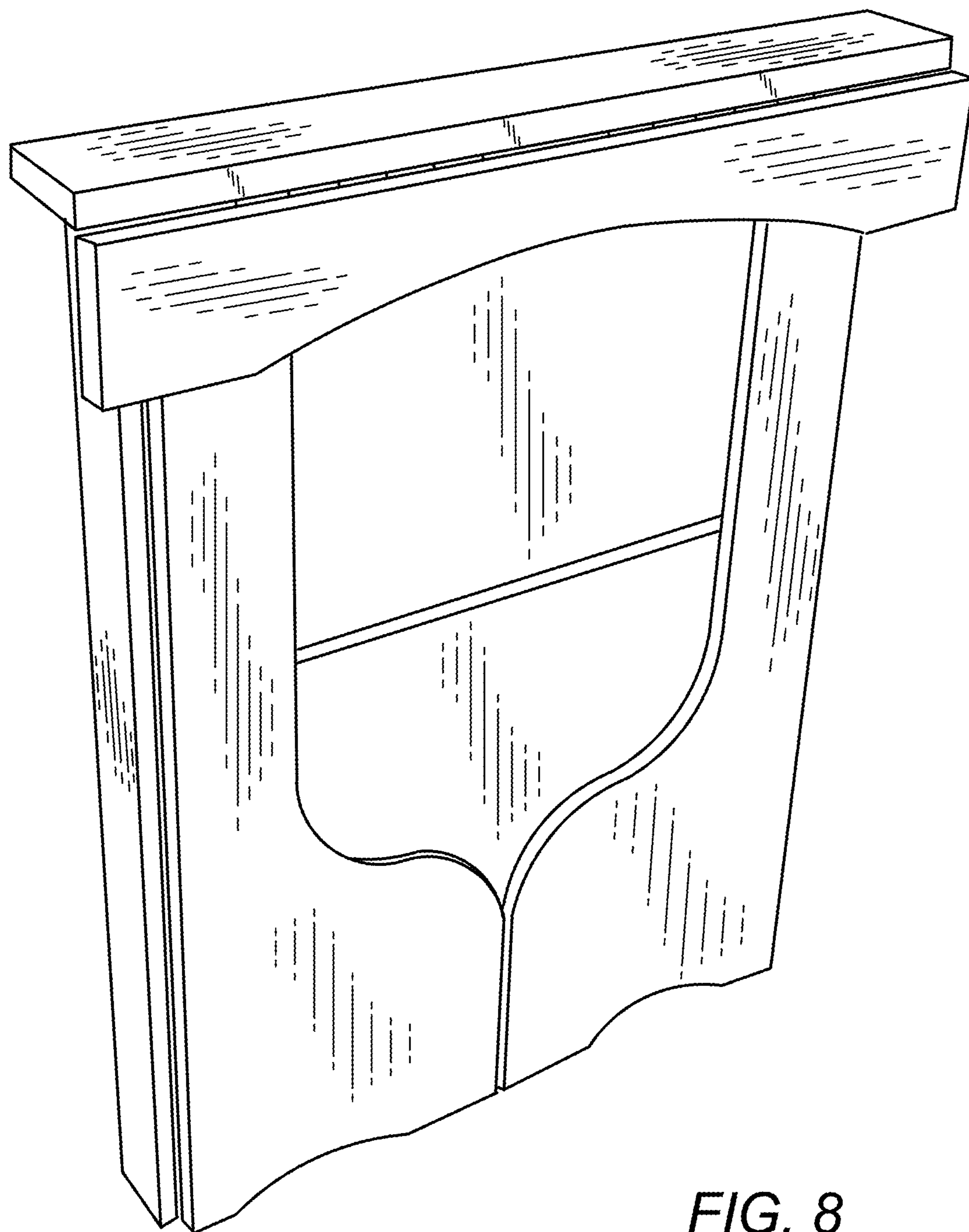


FIG. 8

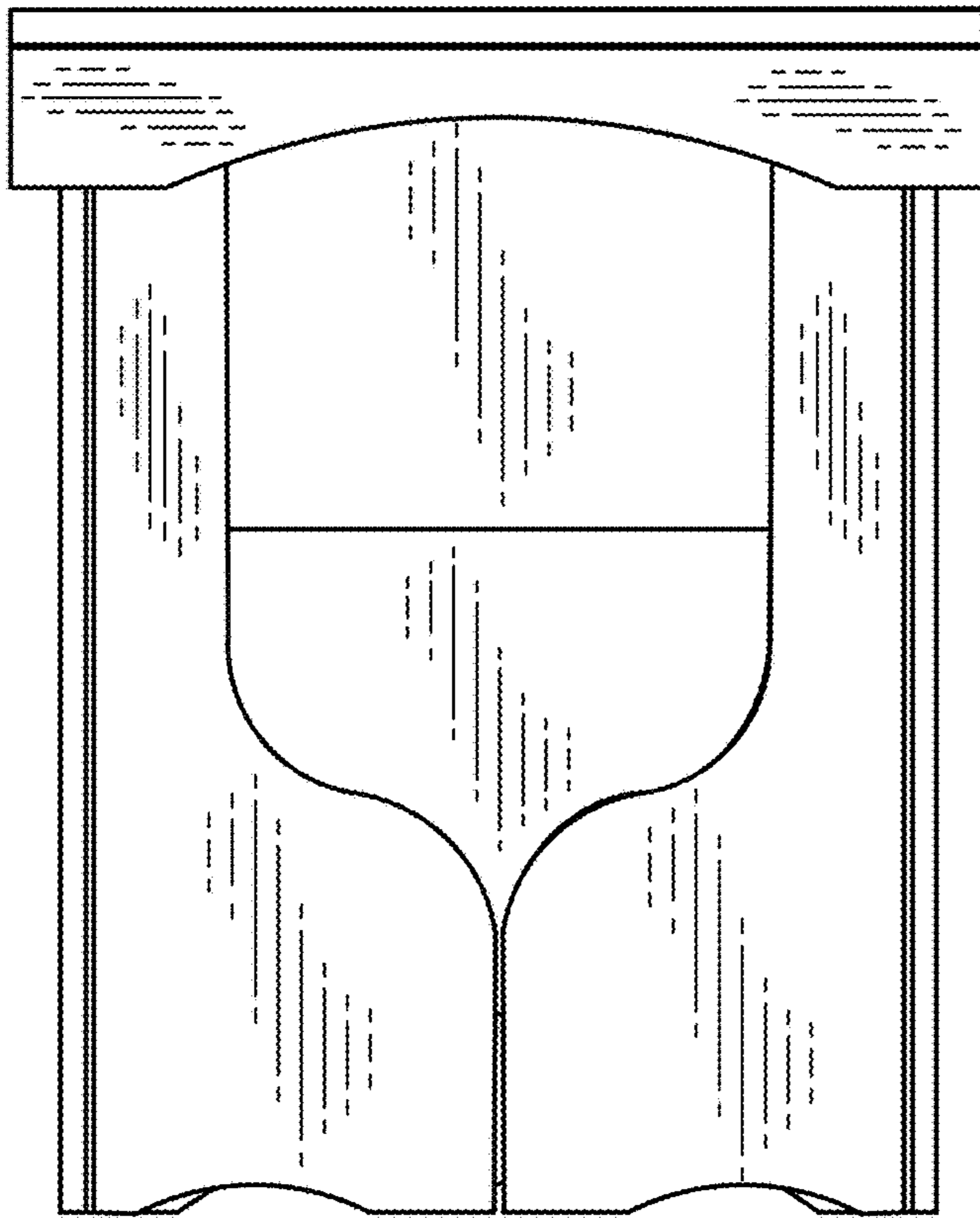


FIG. 9

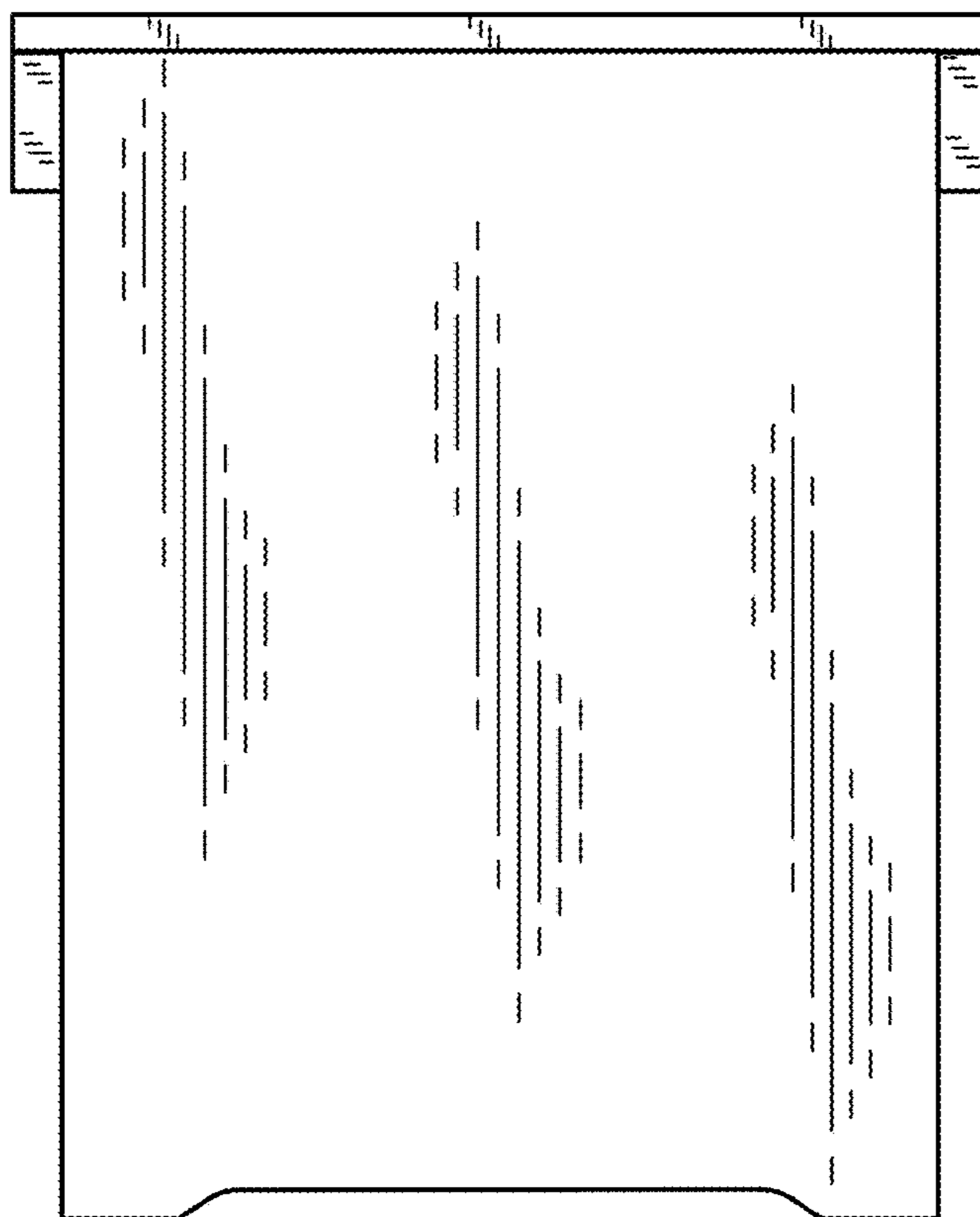


FIG. 10

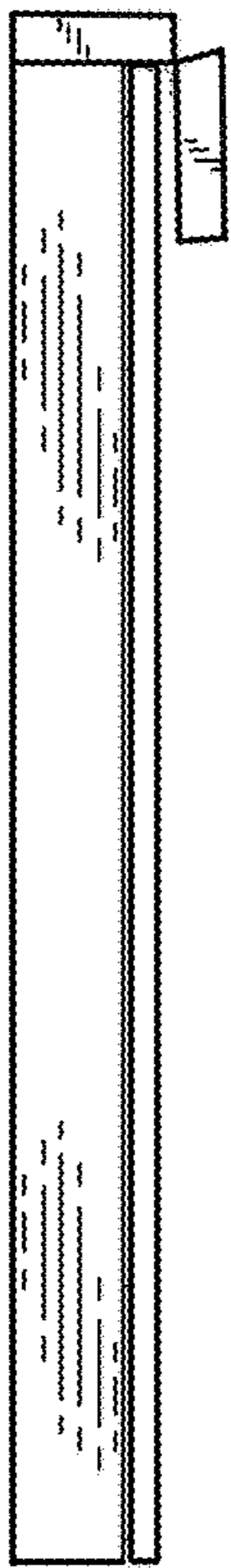


FIG. 11

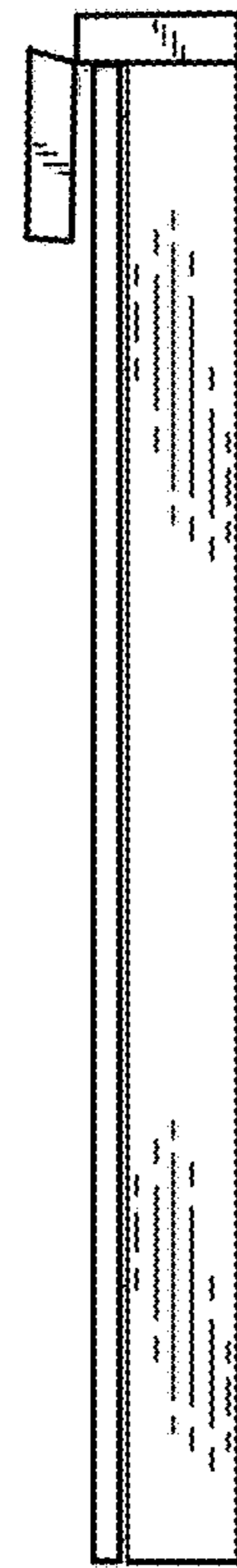


FIG. 12

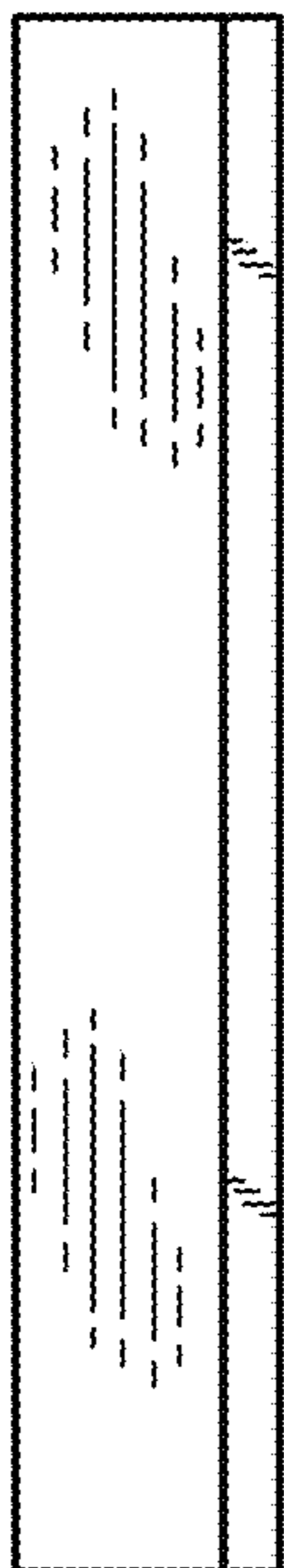


FIG. 13

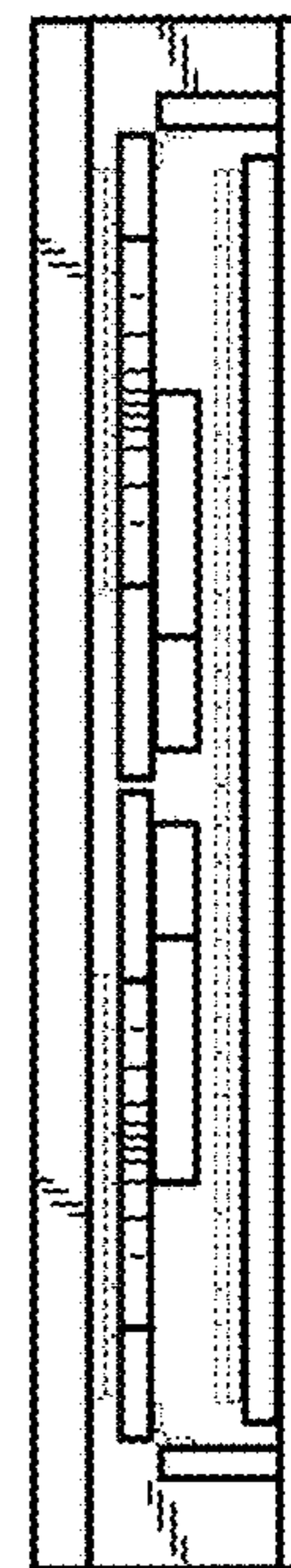


FIG. 14

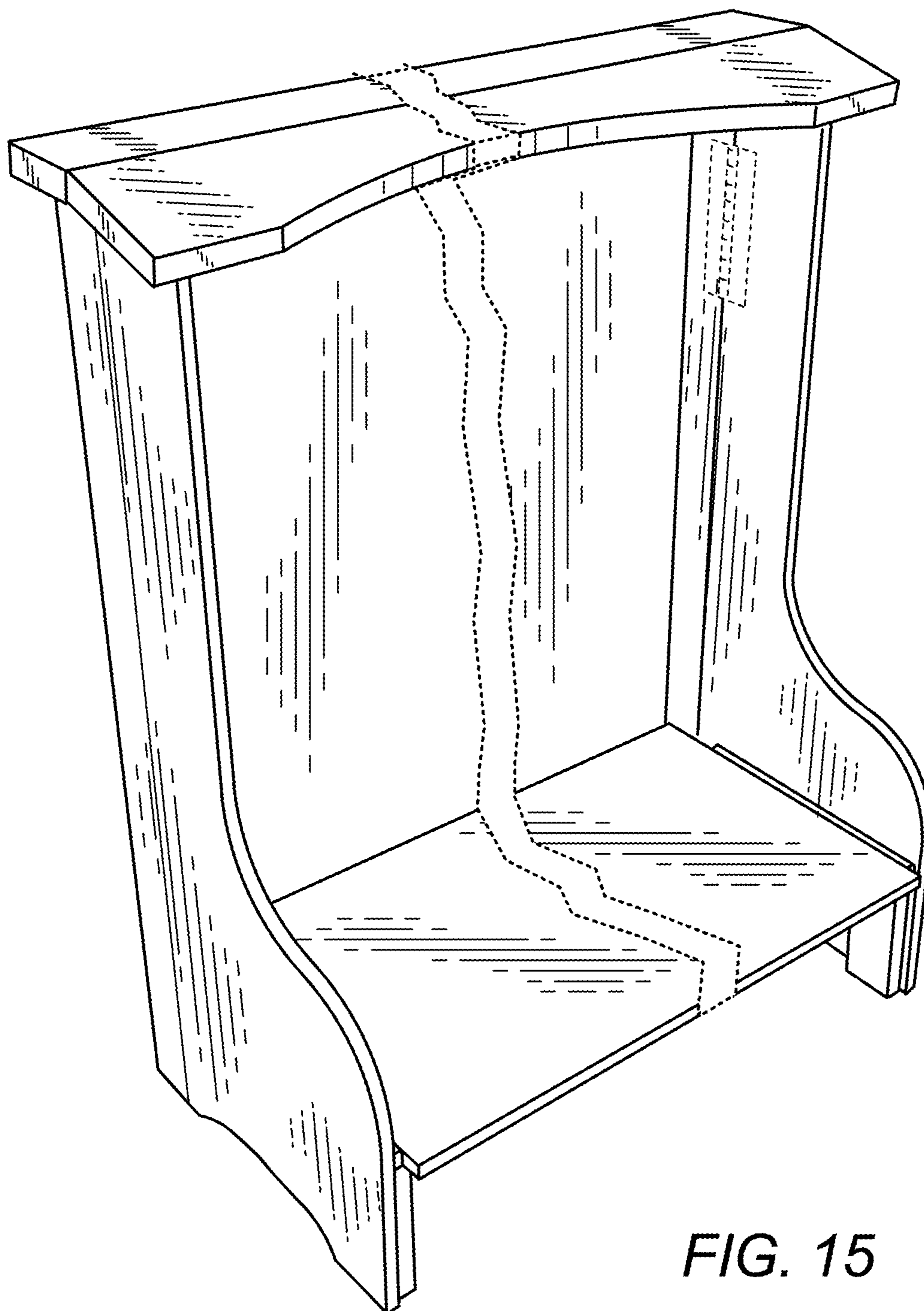


FIG. 15

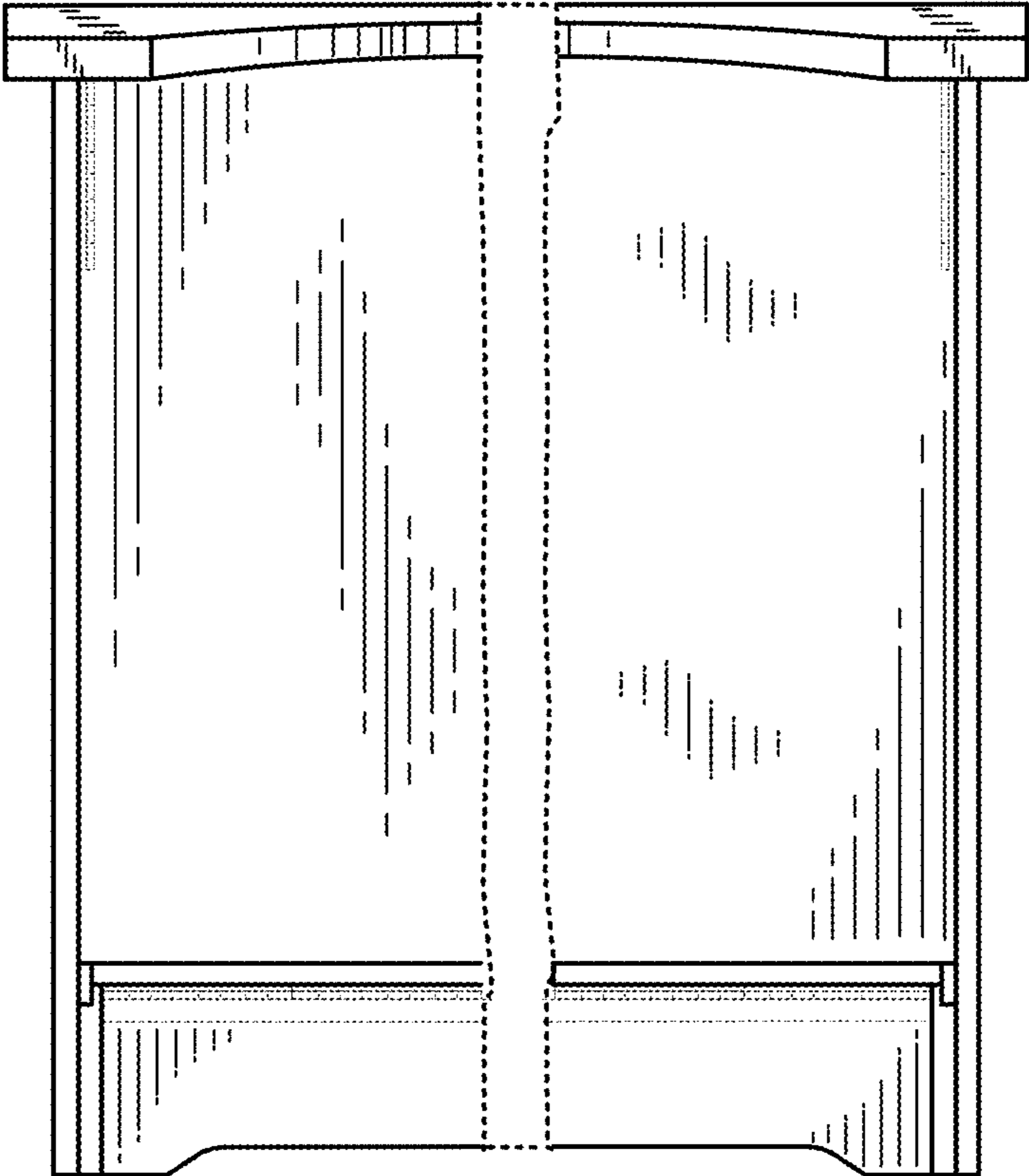


FIG. 16

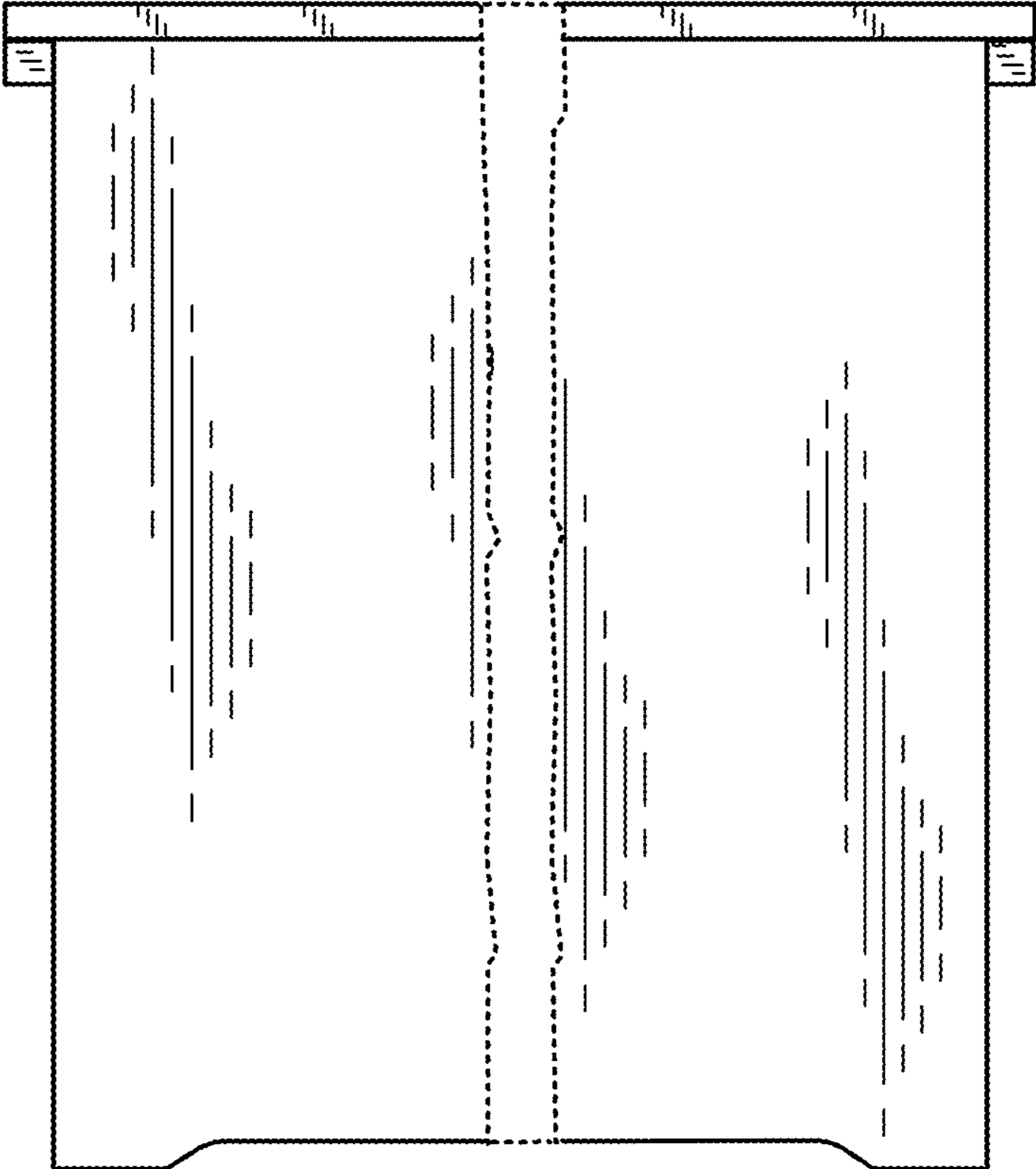


FIG. 17

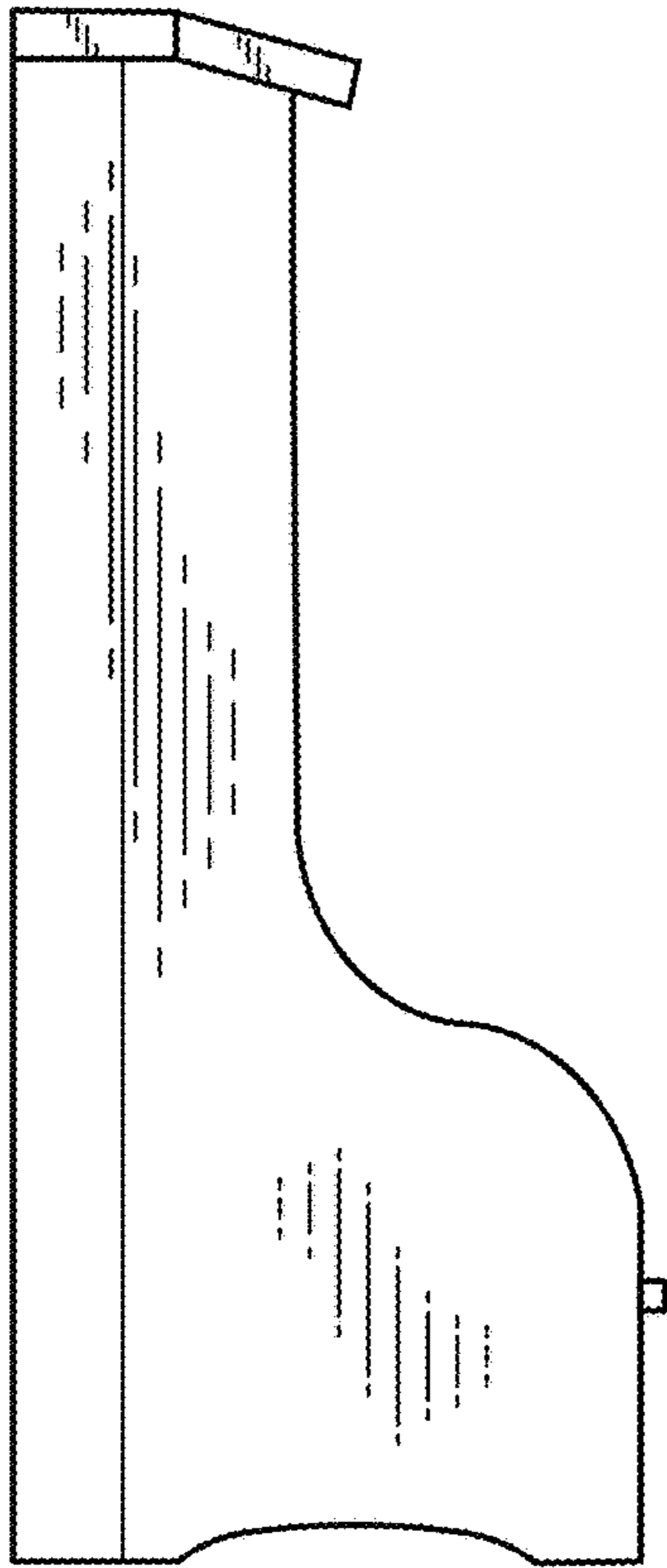


FIG. 18

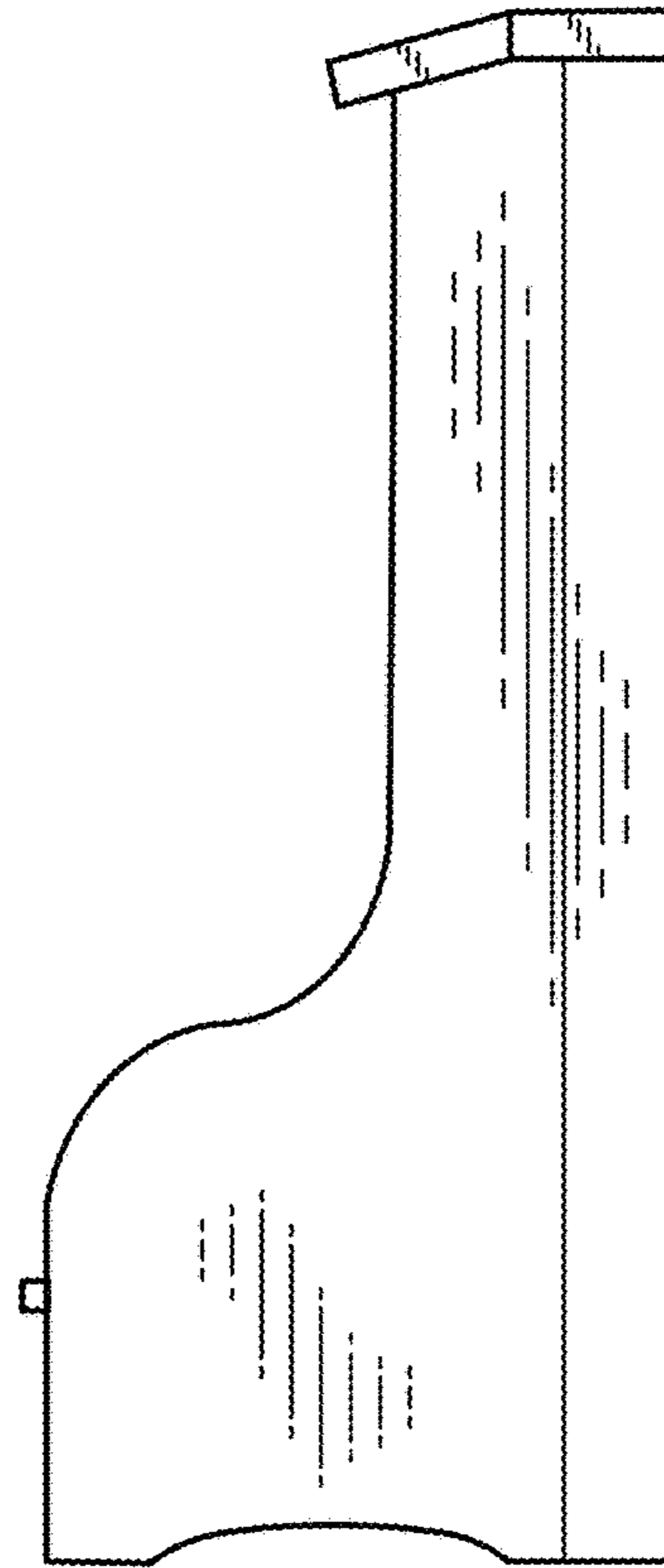


FIG. 19

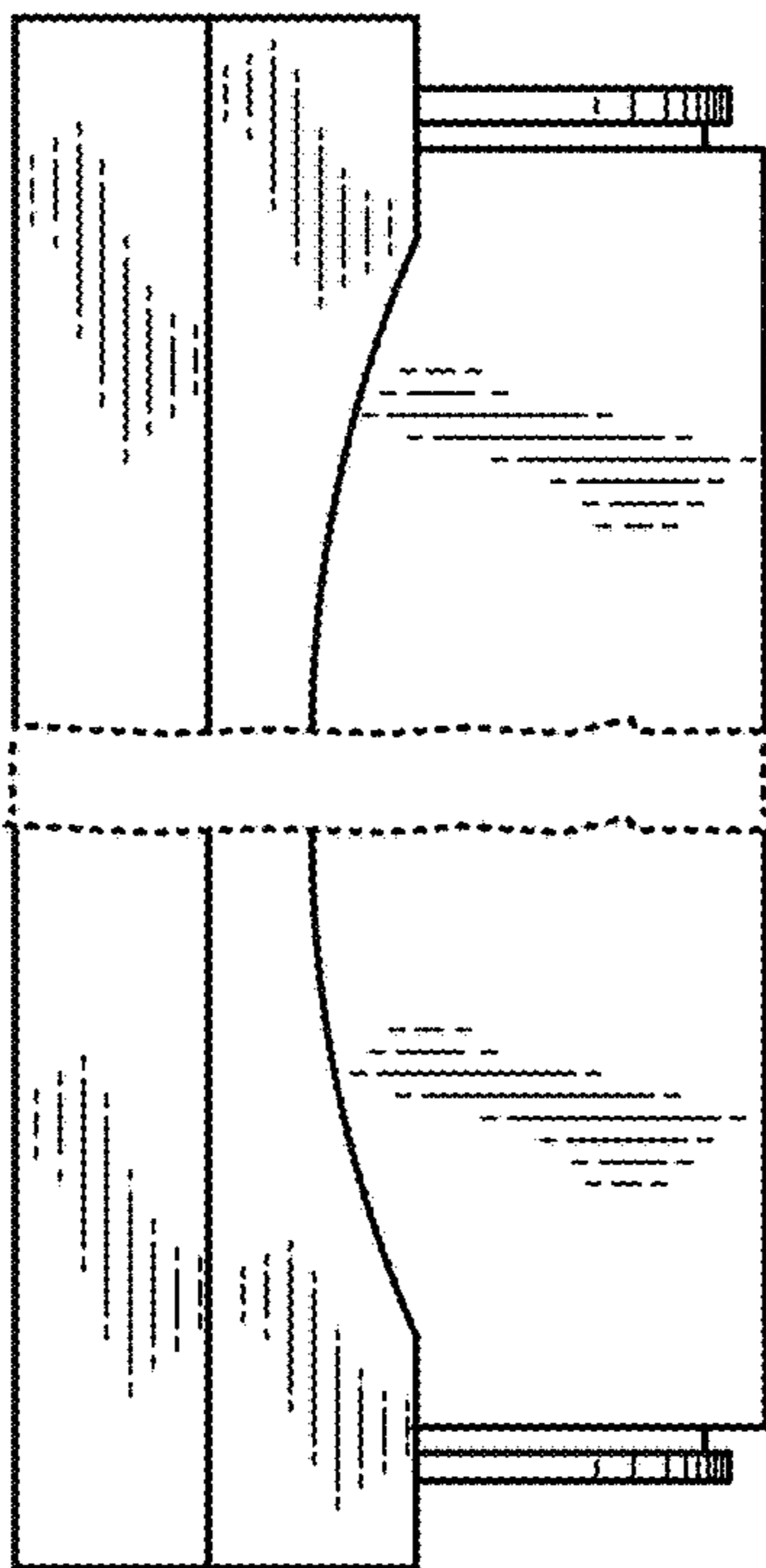


FIG. 20

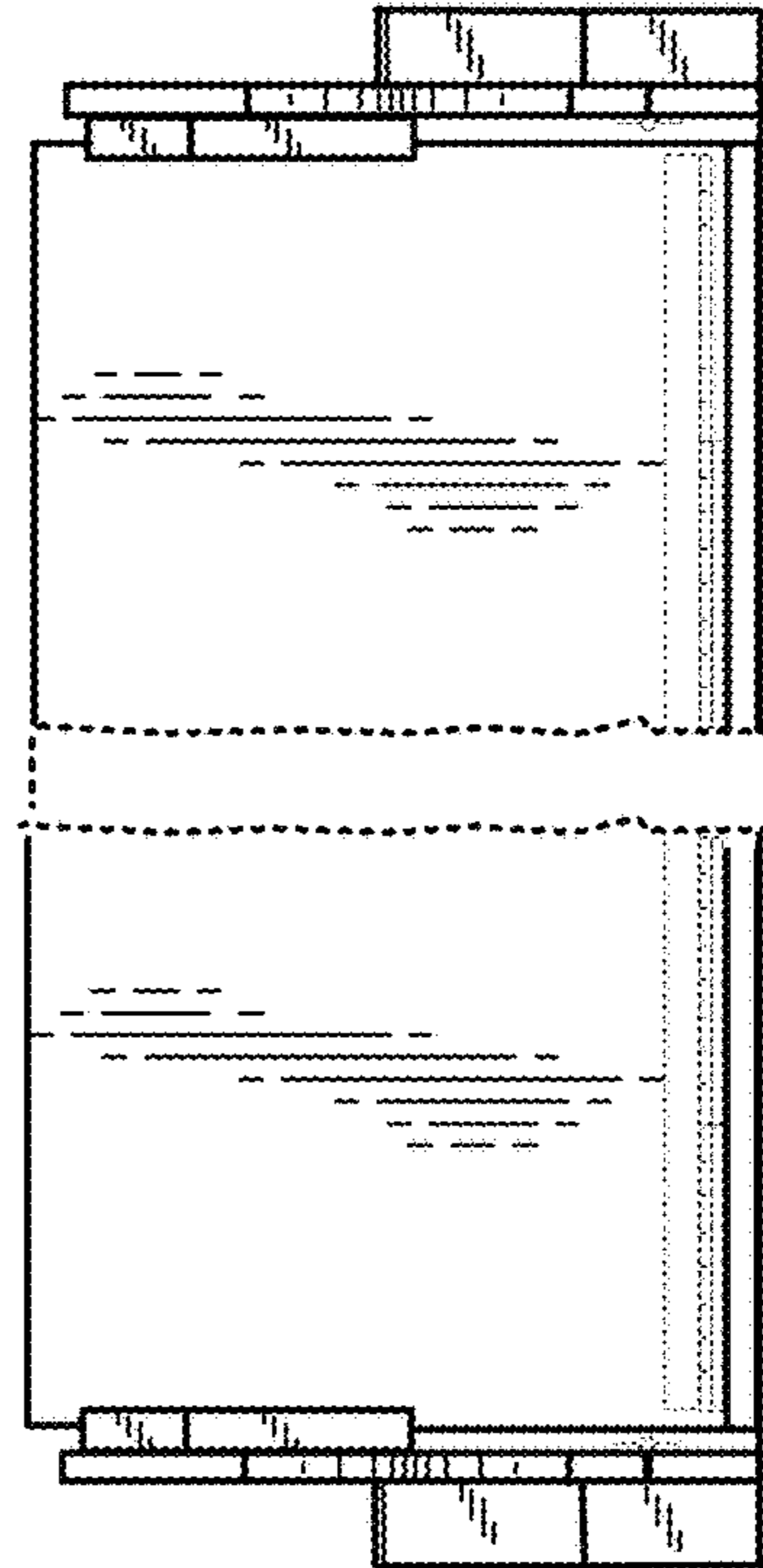


FIG. 21

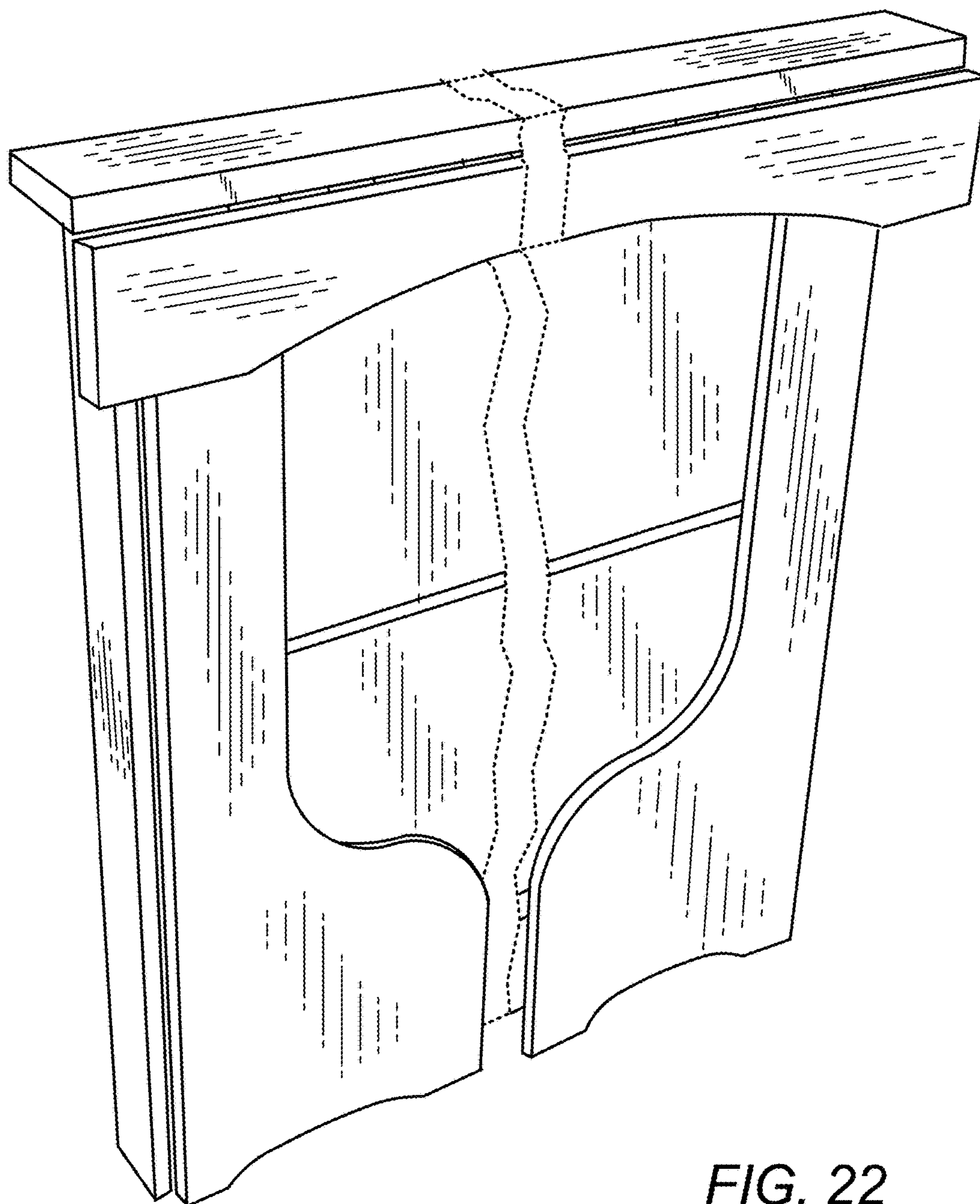


FIG. 22

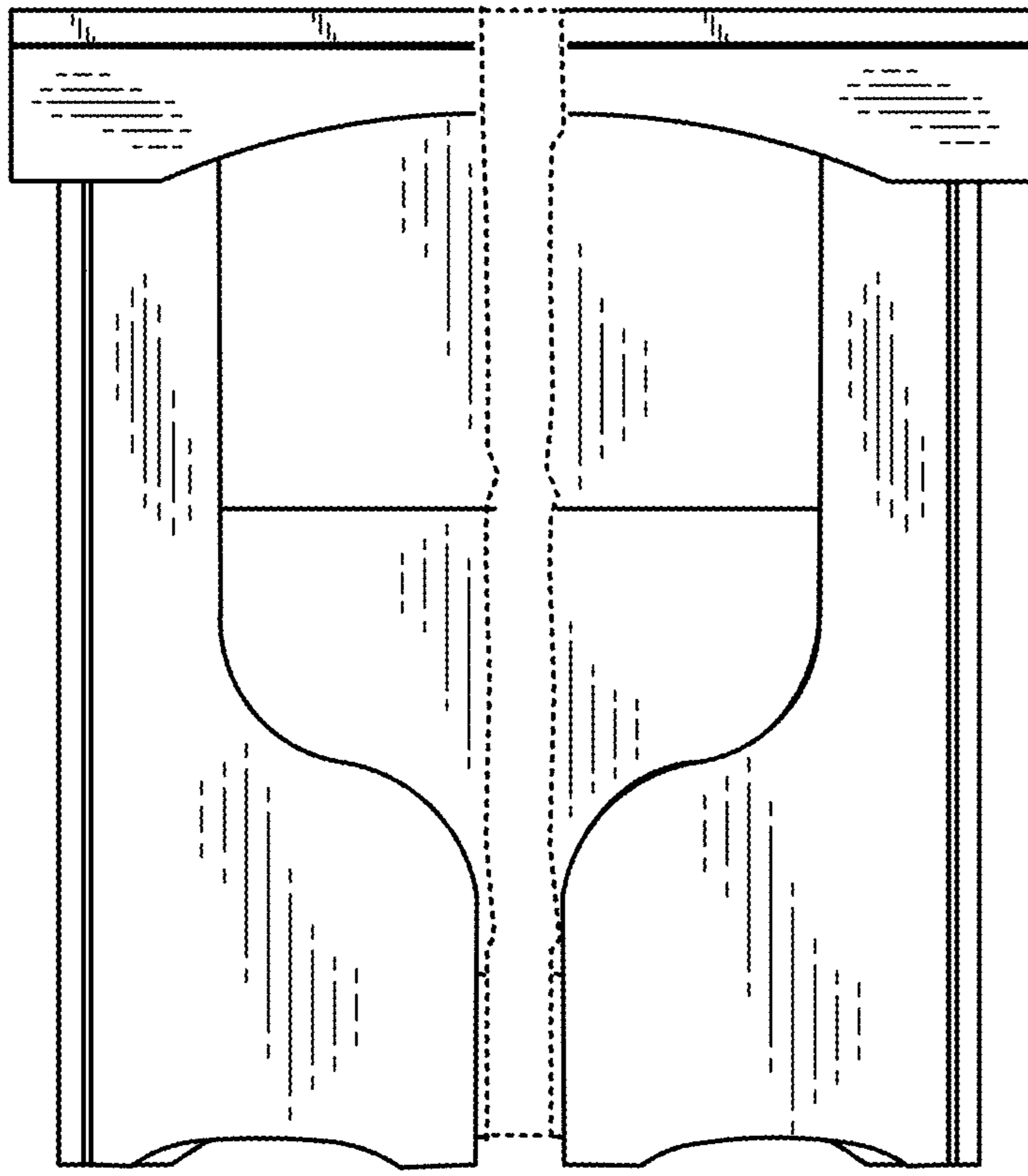


FIG. 23

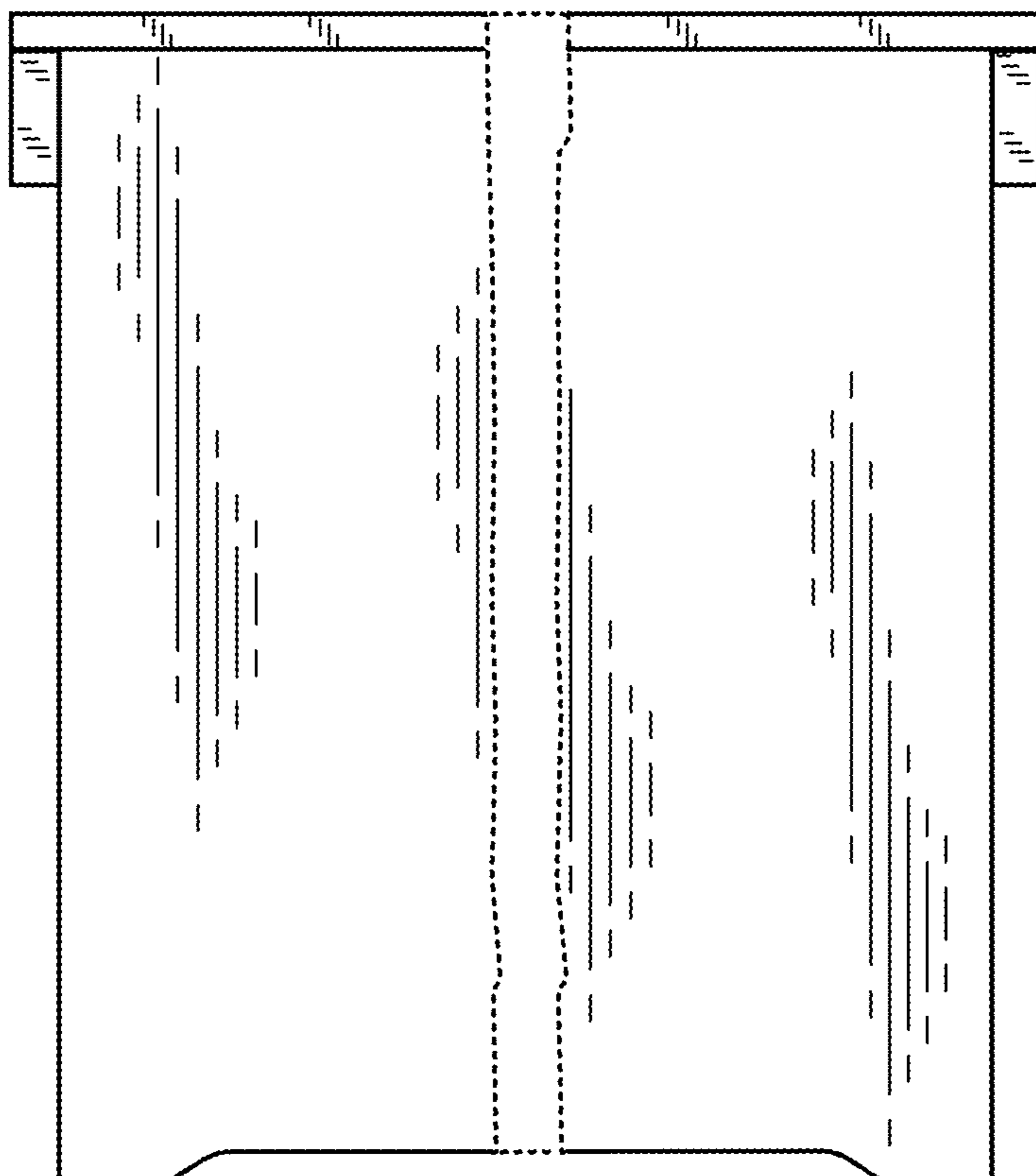


FIG. 24



FIG. 25

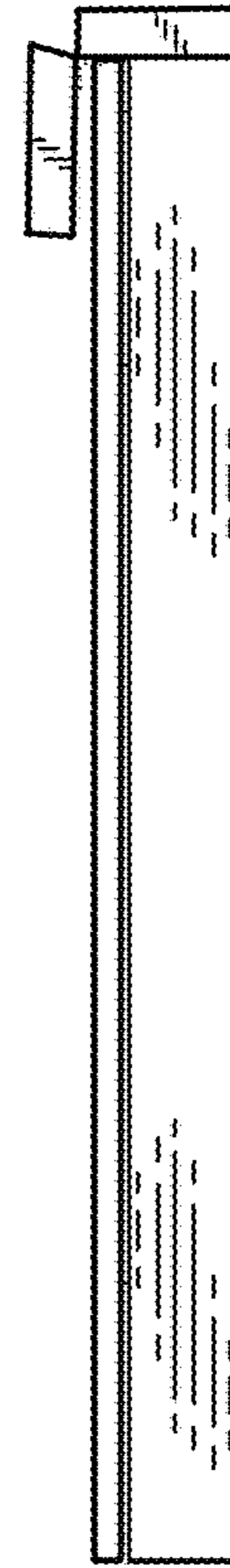


FIG. 26

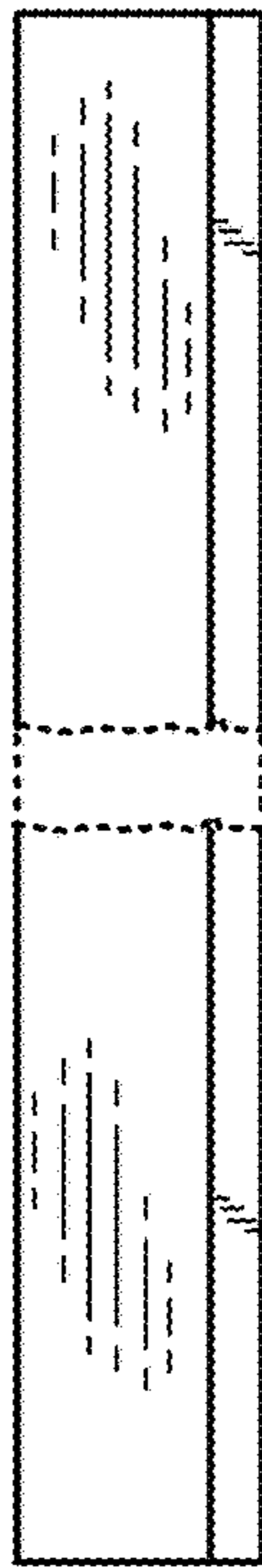


FIG. 27



FIG. 28