



US00D798607S

(12) **United States Design Patent** (10) **Patent No.:** **US D798,607 S**  
**Park** (45) **Date of Patent:** **\*\* Oct. 3, 2017**

(54) **HAIR BRUSH**  
(71) Applicant: **Olivia Garden International Inc.,**  
Walnut Creek, CA (US)  
(72) Inventor: **Sang Won Park,** Seoul (KR)  
(73) Assignee: **Olivia Garden International Inc.,**  
Walnut Creek, CA (US)  
(\*\*) Term: **15 Years**  
(21) Appl. No.: **29/556,567**  
(22) Filed: **Mar. 1, 2016**

(30) **Foreign Application Priority Data**  
Sep. 4, 2015 (KR) ..... 30-2015-0044993  
(51) **LOC (10) Cl.** ..... **04-02**  
(52) **U.S. Cl.**  
USPC ..... **D4/138**  
(58) **Field of Classification Search**  
USPC ..... D4/100, 102, 114, 115, 116, 121, 127,  
D4/128, 129, 132, 133, 134, 135, 136,  
D4/138, 199; D24/214; D28/15, 35, 21,  
D28/22, 24, 25, 26, 27, 28, 29, 30, 31,  
D28/32, 33, 34; D30/158; 15/207.2;  
132/211  
CPC .. A46B 9/06; A46B 9/02; A46B 9/023; A46B  
9/028; A46B 2200/104; A46D 1/0238  
See application file for complete search history.

(56) **References Cited**  
U.S. PATENT DOCUMENTS  
D2,179 S \* 10/1865 Ames ..... D4/138  
D26,973 S \* 4/1897 Shepherd ..... D4/134  
614,335 A \* 11/1898 Newman ..... A46B 7/04  
15/176.5  
D33,070 S \* 8/1900 Hamilton ..... 15/159.1

674,120 A \* 5/1901 Montgomery ..... A46B 7/04  
15/176.5  
1,128,667 A \* 2/1915 DuPuy ..... A46B 3/16  
15/176.6  
1,671,334 A \* 5/1928 White ..... A46B 7/04  
119/633

(Continued)

**OTHER PUBLICATIONS**

Picture of Olivia Garden iDetangle Hair Brush for Medium Hair [on-line]. Publication date unknown; retrieved from the Internet Jan. 5, 2017. URL: <<http://www.sleekhair.com/oli10-medium.html>>. (2 pages).\*

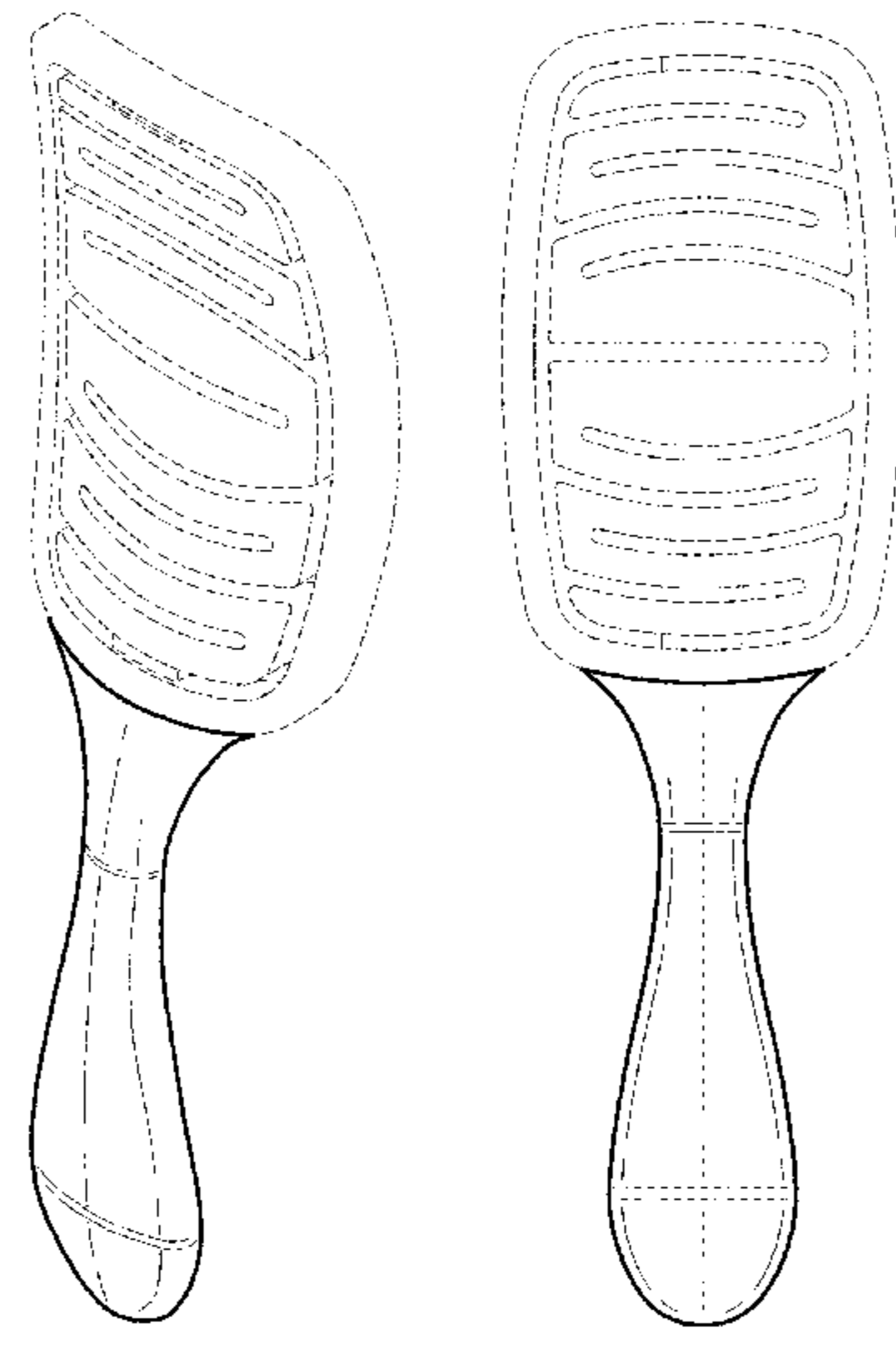
*Primary Examiner* — Karen E Eldridge Powers  
(74) *Attorney, Agent, or Firm* — Volk & McElroy, LLP;  
Michael D. Volk, Jr.

(57) **CLAIM**  
The ornamental design for a hair brush, as shown and described.

**DESCRIPTION**

FIG. 1 is a rear perspective view of a hair brush showing my new design;  
FIG. 2 is a front elevation view thereof;  
FIG. 3 is a rear elevation view thereof;  
FIG. 4 is a left side elevation view thereof;  
FIG. 5 is a right side elevation view thereof;  
FIG. 6 is a top plan view thereof;  
FIG. 7 is a bottom plan view thereof;  
FIG. 8 is another rear perspective view thereof illustrating the back view;  
FIG. 9 is a sectional view taken at section 9-9 of FIG. 2;  
FIG. 10 is a rear perspective view of the handle shown in FIG. 1 coupled to a differently shaped upper portion; and,  
FIG. 11 is a rear perspective view of the handle shown in FIG. 1 coupled to another differently shaped upper portion. The broken lines in the drawings depict features that form no part of the claimed design.

**1 Claim, 5 Drawing Sheets**



(56)

**References Cited**

U.S. PATENT DOCUMENTS

2,027,884 A \* 1/1936 Schwab ..... A46B 9/06  
 15/186  
 D99,271 S \* 4/1936 Dean ..... 132/139  
 2,238,603 A \* 4/1941 Runnels ..... A45D 24/16  
 119/612  
 D128,654 S \* 8/1941 Jobst ..... D2/642  
 D130,823 S \* 12/1941 Jobst ..... D4/138  
 D168,673 S \* 1/1953 Carpenter ..... D4/128  
 D169,131 S \* 3/1953 Fay ..... D4/136  
 2,889,567 A \* 6/1959 Solomon ..... A46B 15/00  
 15/114  
 3,205,903 A \* 9/1965 Avanzo ..... A45D 24/36  
 132/139  
 D263,768 S \* 4/1982 Birch ..... D4/136  
 D306,523 S \* 3/1990 Natali ..... D4/116  
 D764,808 S \* 8/2016 Rosenzweig ..... D4/132  
 D766,588 S \* 9/2016 Rennette ..... D4/133  
 D770,779 S \* 11/2016 Rosenzweig ..... D4/138  
 D782,829 S \* 4/2017 Park ..... D4/138  
 2016/0353855 A1 \* 12/2016 Rennette ..... A45D 20/52

\* cited by examiner

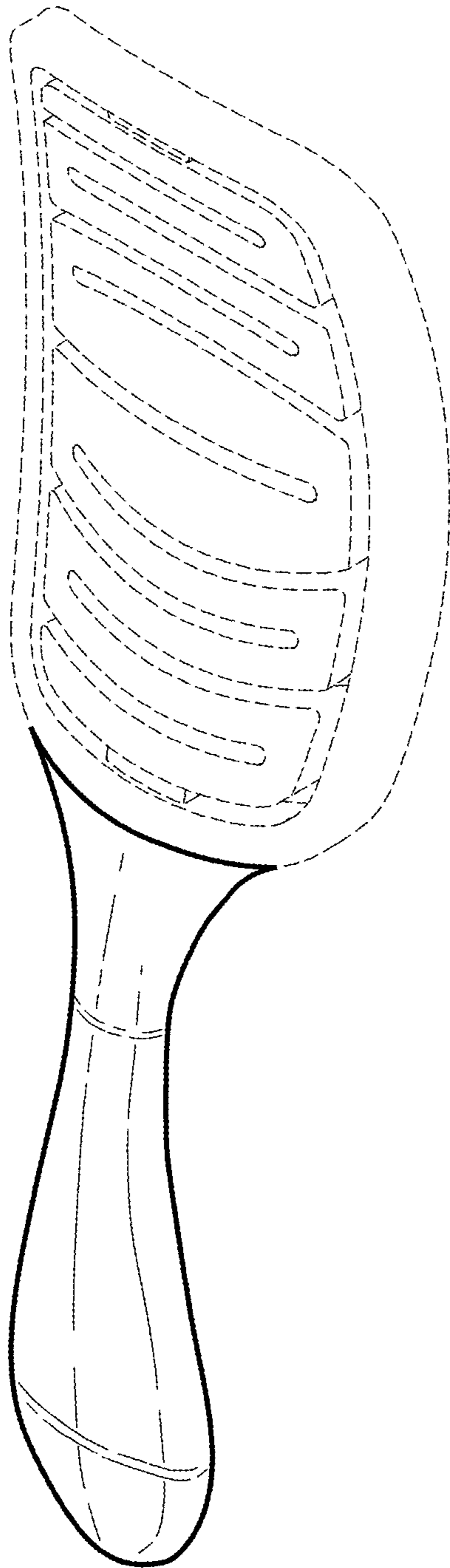


FIG. 1

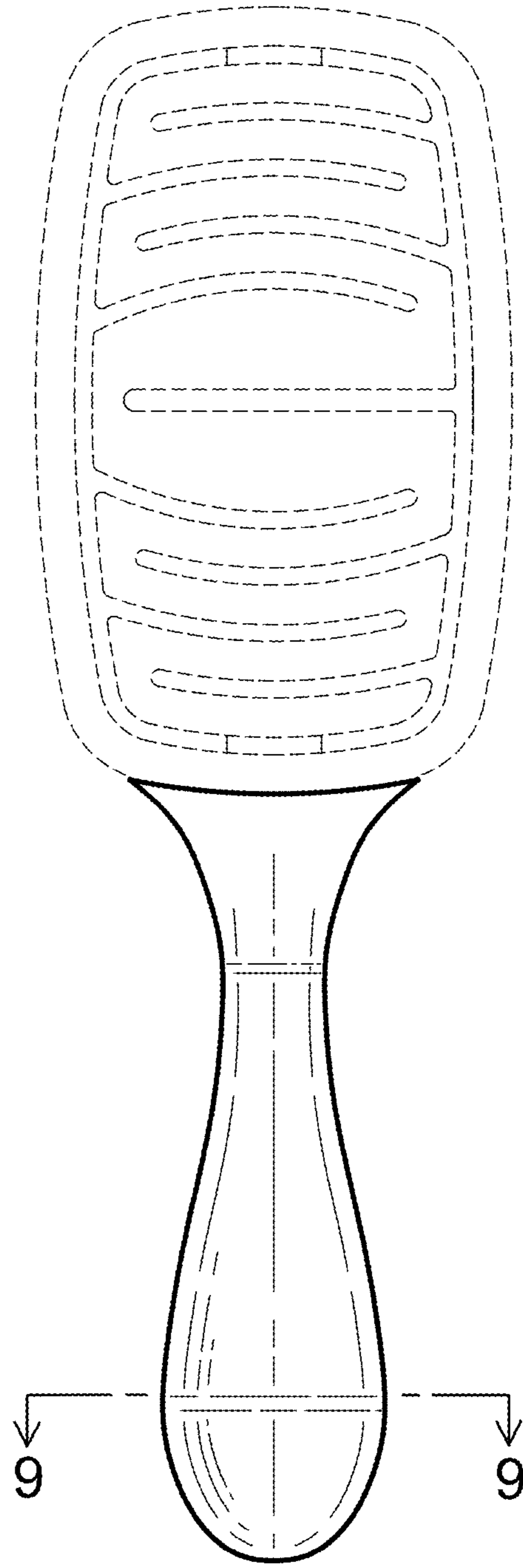


FIG. 2

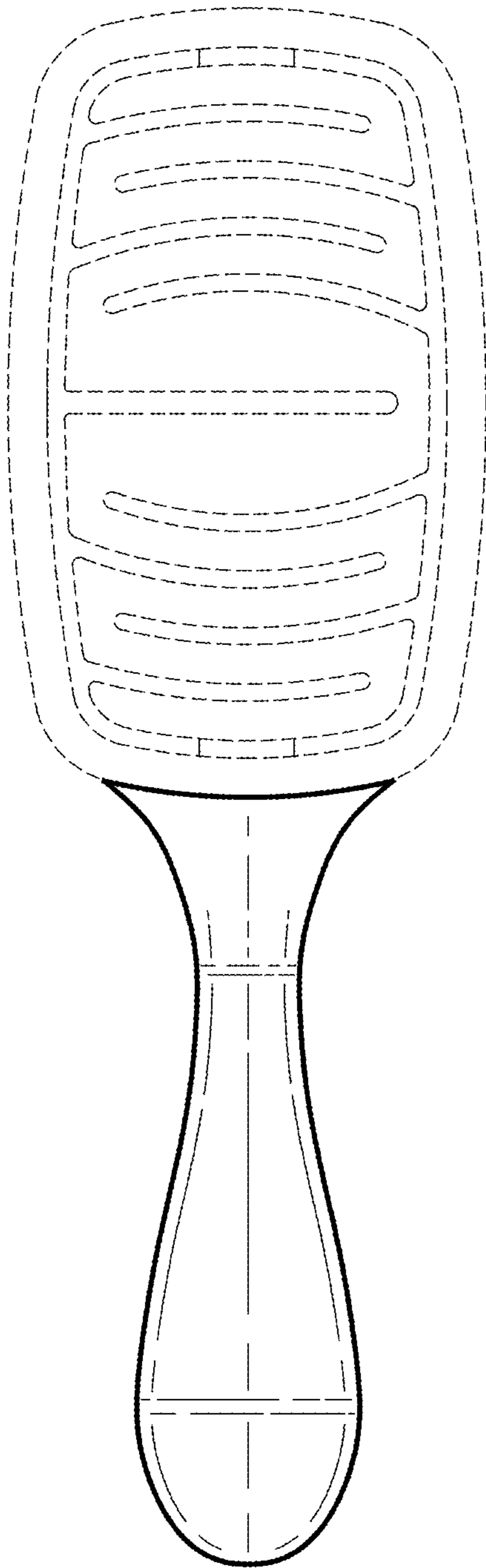


FIG. 3



FIG. 4

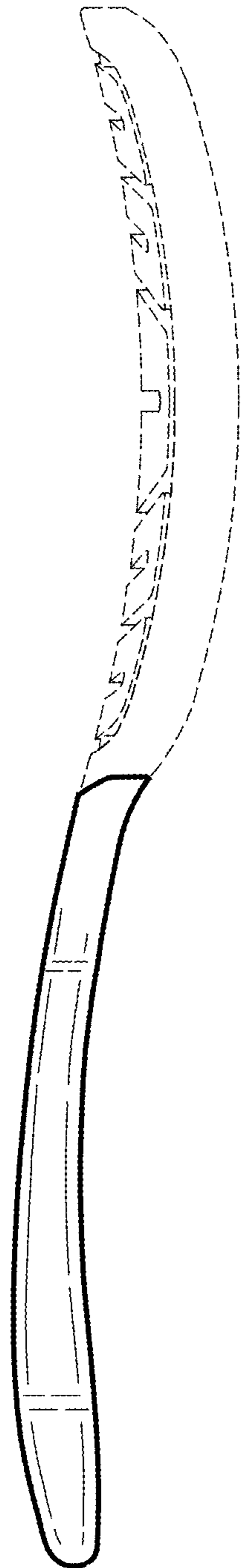


FIG. 5

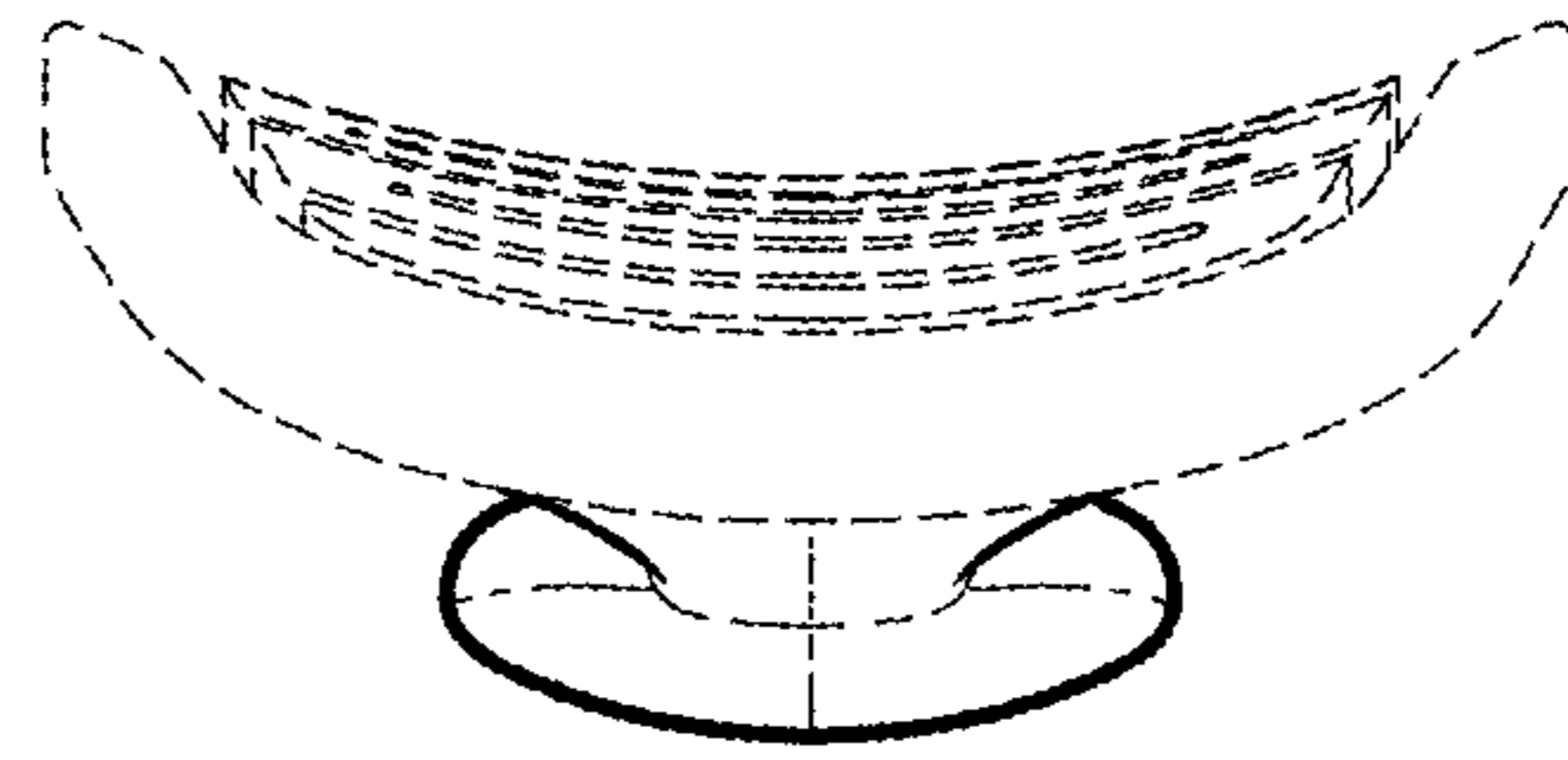


FIG. 6

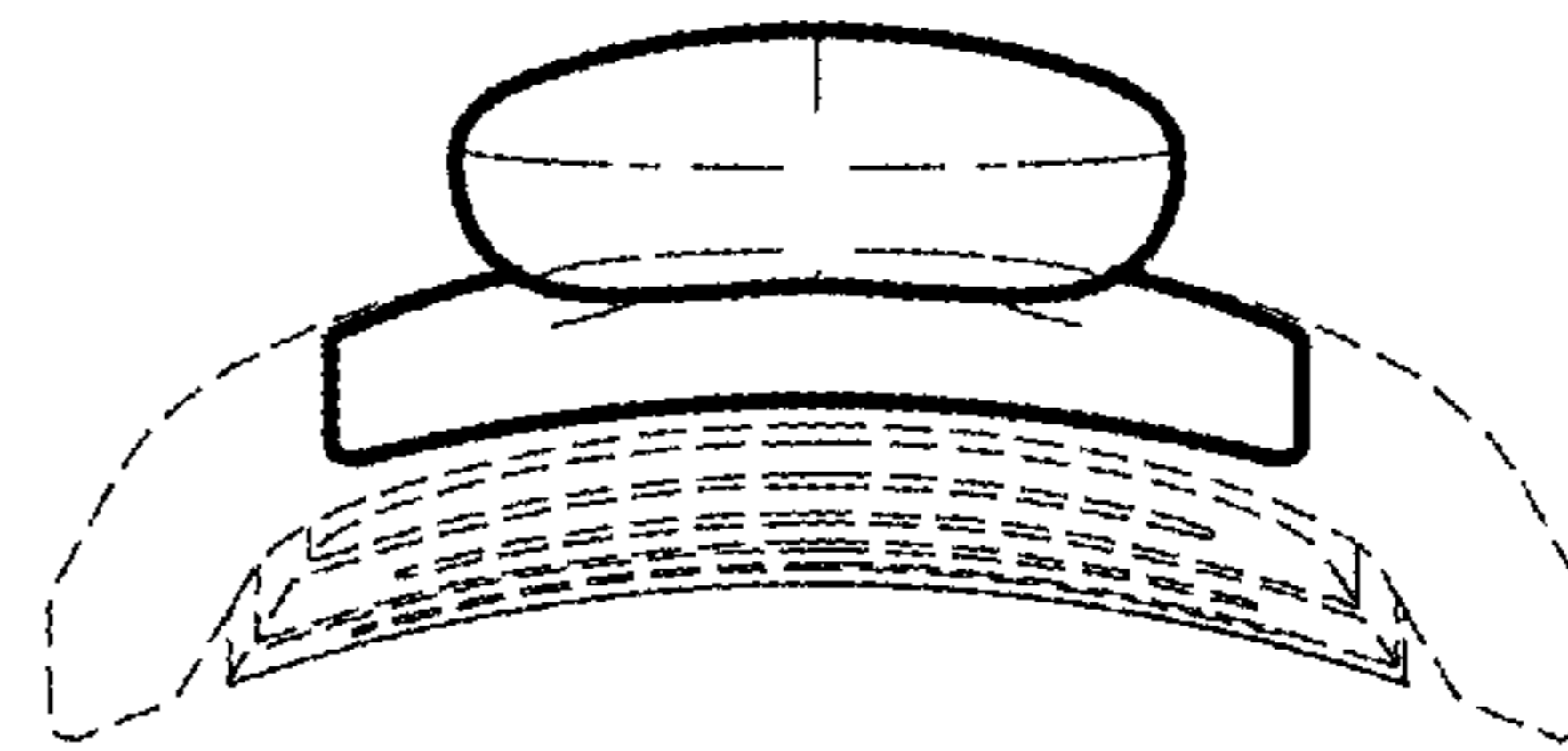


FIG. 7

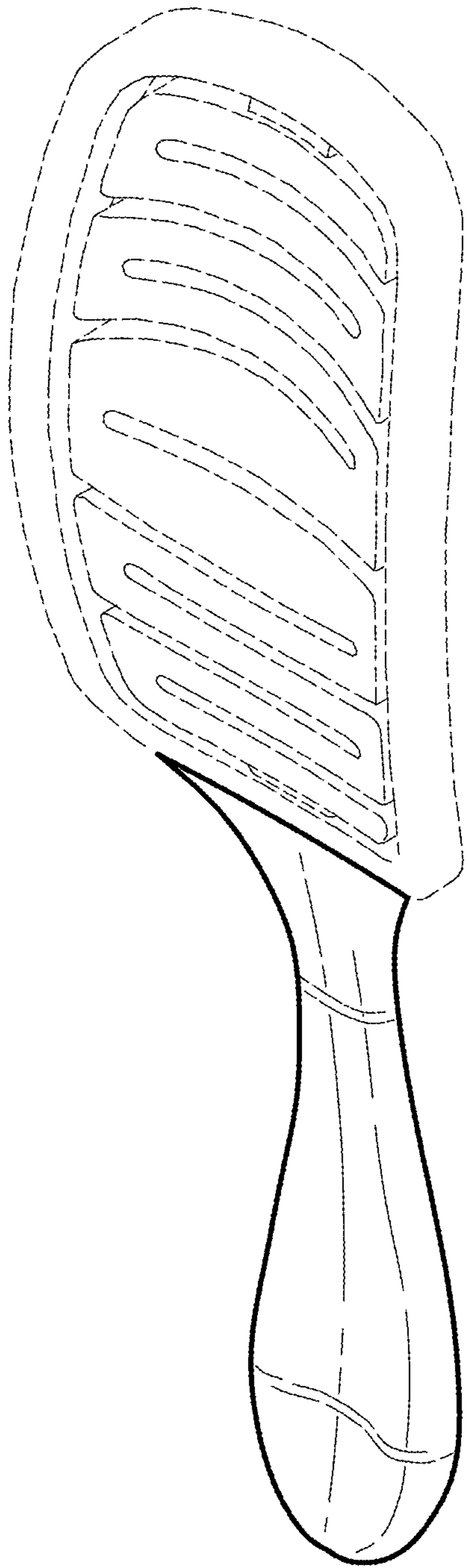


FIG. 8

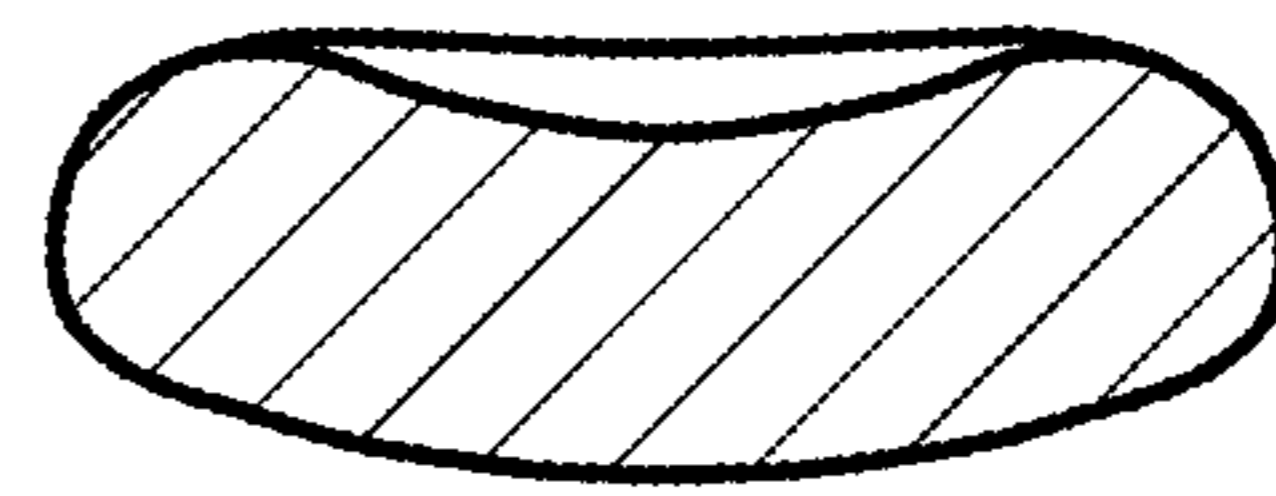


FIG. 9

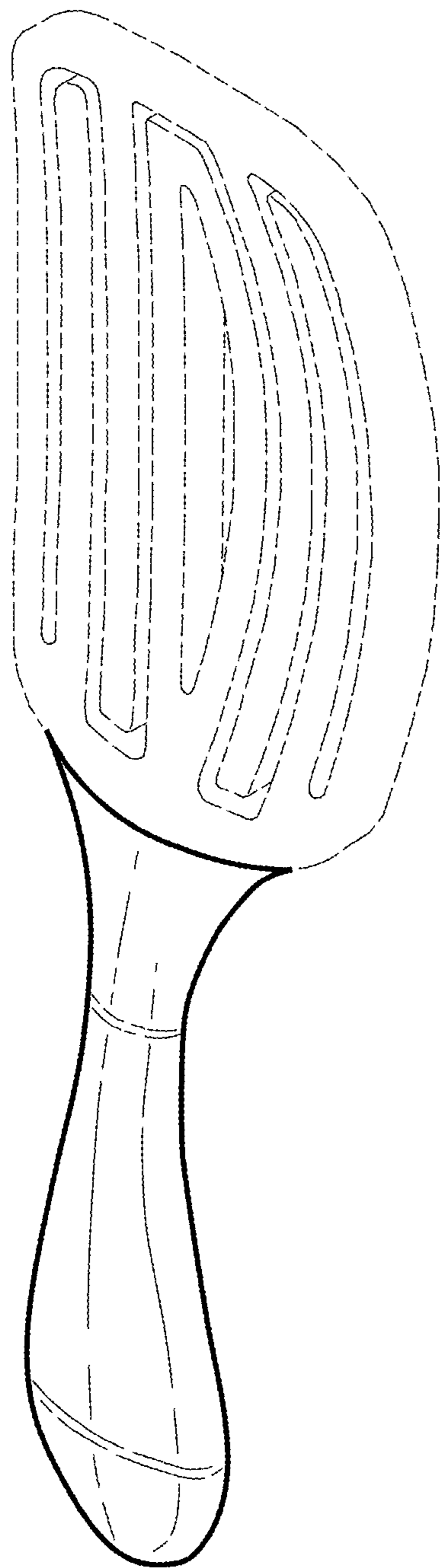


FIG. 10

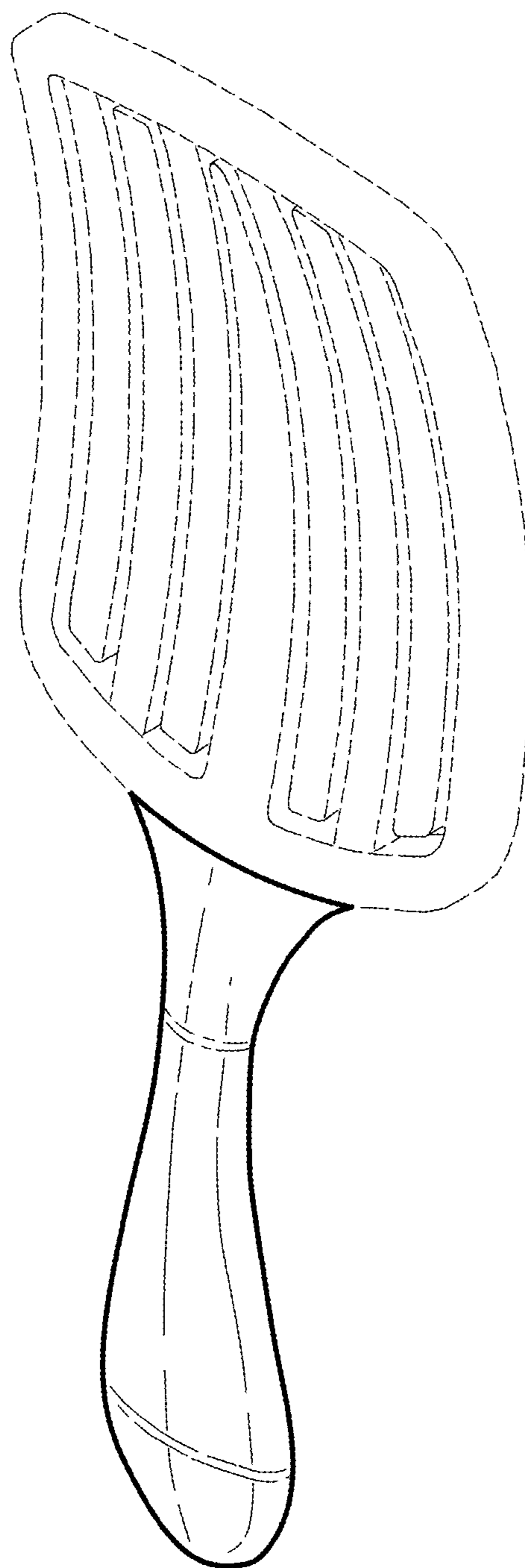


FIG. 11