



US00D798602S

(12) **United States Design Patent**
Perry

(10) **Patent No.:** **US D798,602 S**

(45) **Date of Patent:** **** Oct. 3, 2017**

- (54) **DECORATIVE TOOTHBRUSH**
- (71) Applicant: **Tiffany Perry**, Manassas, VA (US)
- (72) Inventor: **Tiffany Perry**, Manassas, VA (US)
- (**) Term: **15 Years**
- (21) Appl. No.: **29/577,083**
- (22) Filed: **Sep. 9, 2016**
- (51) **LOC (10) Cl.** **04-02**
- (52) **U.S. Cl.**
USPC **D4/107**
- (58) **Field of Classification Search**
USPC D4/101, 102, 104, 105, 106, 107, 108,
D4/109, 110, 111, 112, 113
CPC A46B 9/04; A46B 9/10
See application file for complete search history.

(56) **References Cited**

U.S. PATENT DOCUMENTS

- D296,617 S * 7/1988 Zucker D4/107
- 6,070,286 A * 6/2000 Cardarelli A46B 9/045
15/114
- D455,012 S * 4/2002 Perez D4/105

- D504,019 S * 4/2005 Graneto, III D4/108
- D653,036 S * 1/2012 Fifer D4/106
- 8,938,841 B1 * 1/2015 Ramirez A46B 5/0016
15/106
- D768,997 S * 10/2016 Shlaferman D4/111
- 2003/0183242 A1 * 10/2003 Kemp A46B 5/00
132/311

* cited by examiner

Primary Examiner — Karen E Eldridge Powers

(74) *Attorney, Agent, or Firm* — Harpman & Harpman

(57) **CLAIM**

The ornamental design for a decorative toothbrush, as shown and described.

DESCRIPTION

FIG. 1 is a front perspective view of the decorative toothbrush showing my new design, in which a brush head containment wrapper is shown in broken lines, the wrapper being environmental subject matter and forming no part of the claimed design.

FIG. 2 is a left side elevational view thereof.

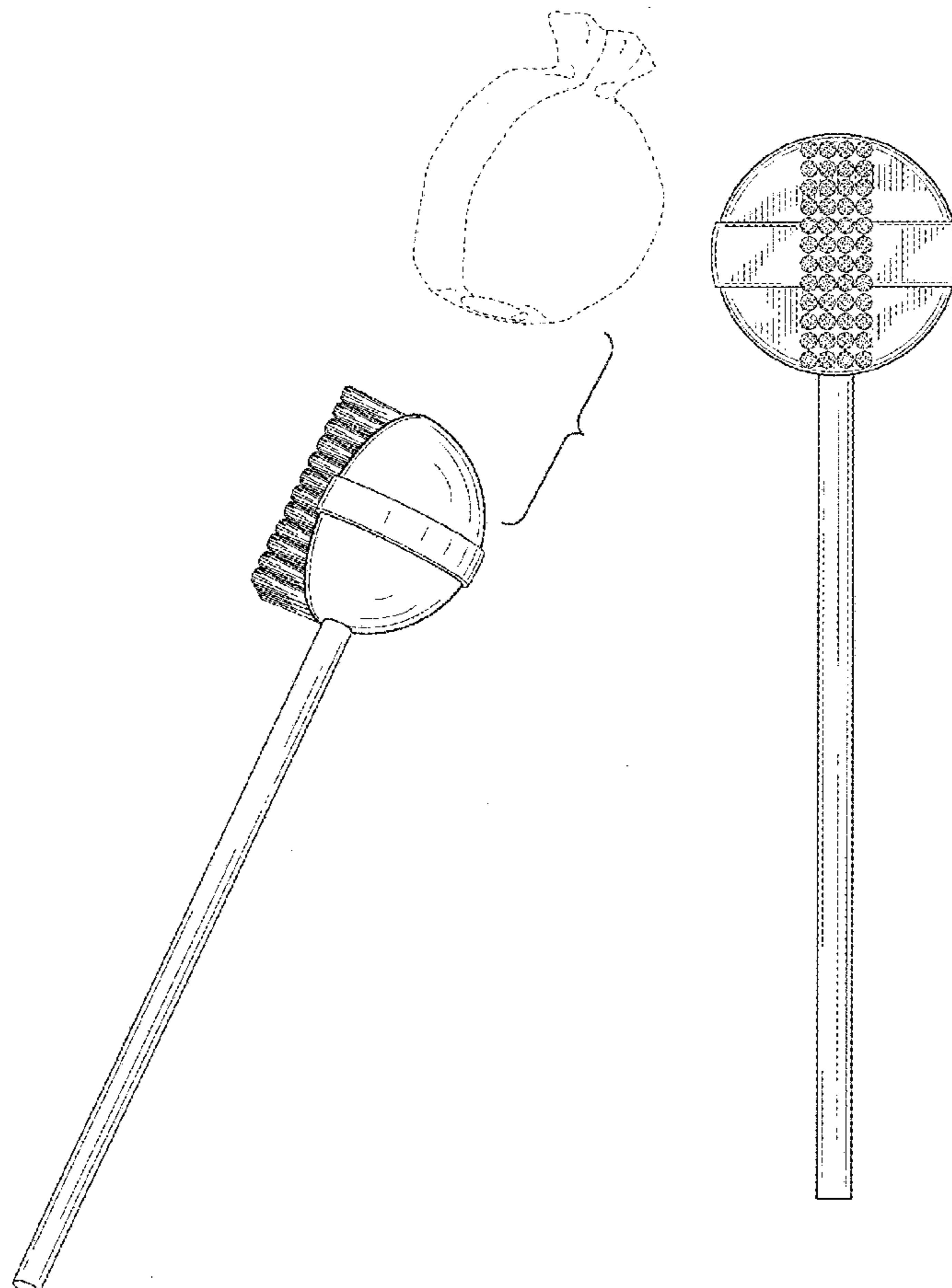
FIG. 3 is a rear elevational view thereof.

FIG. 4 is a top plan view thereof.

FIG. 5 is a bottom plan view thereof; and,

FIG. 6 is a right side elevational view thereof.

1 Claim, 3 Drawing Sheets



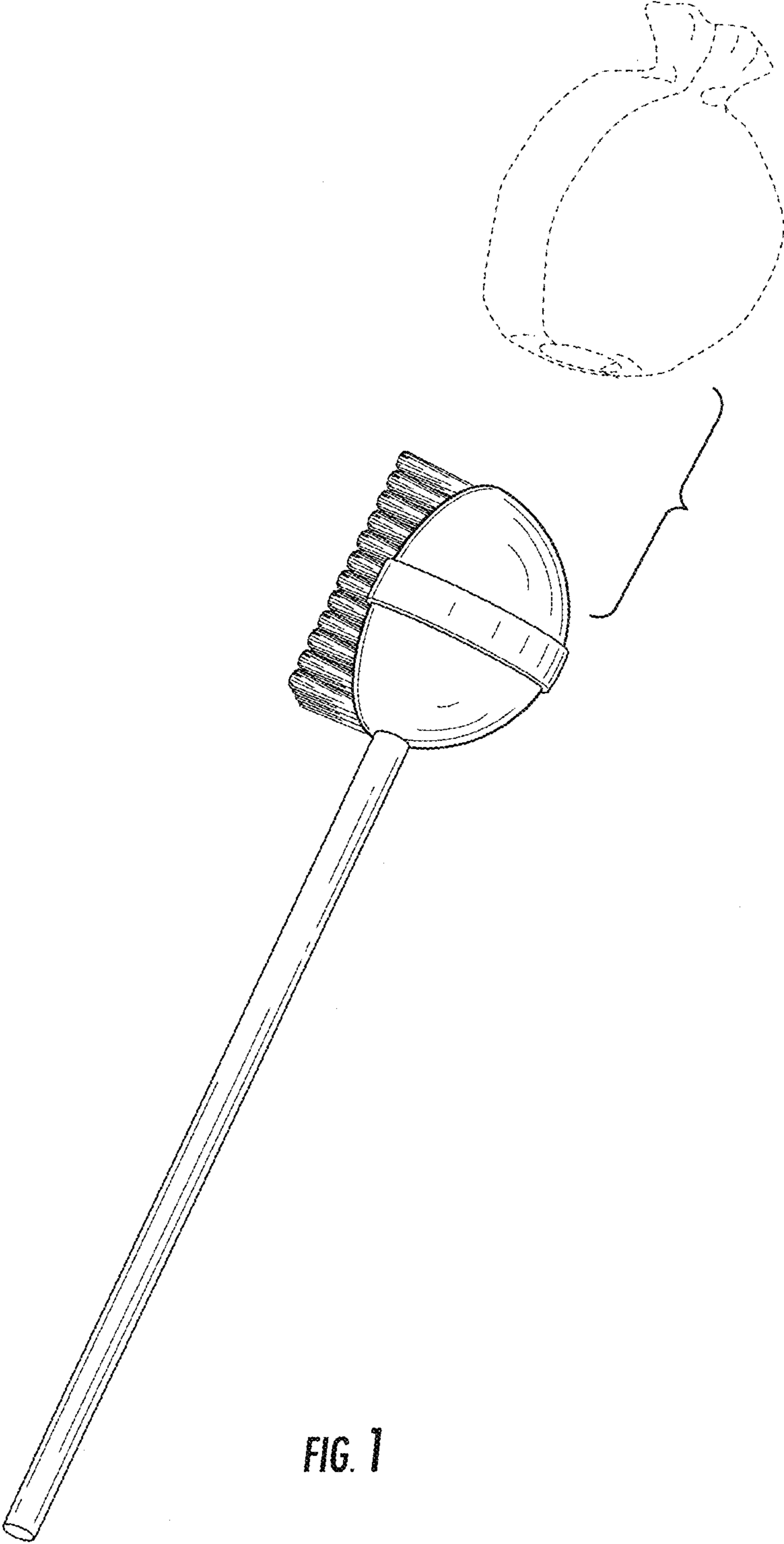
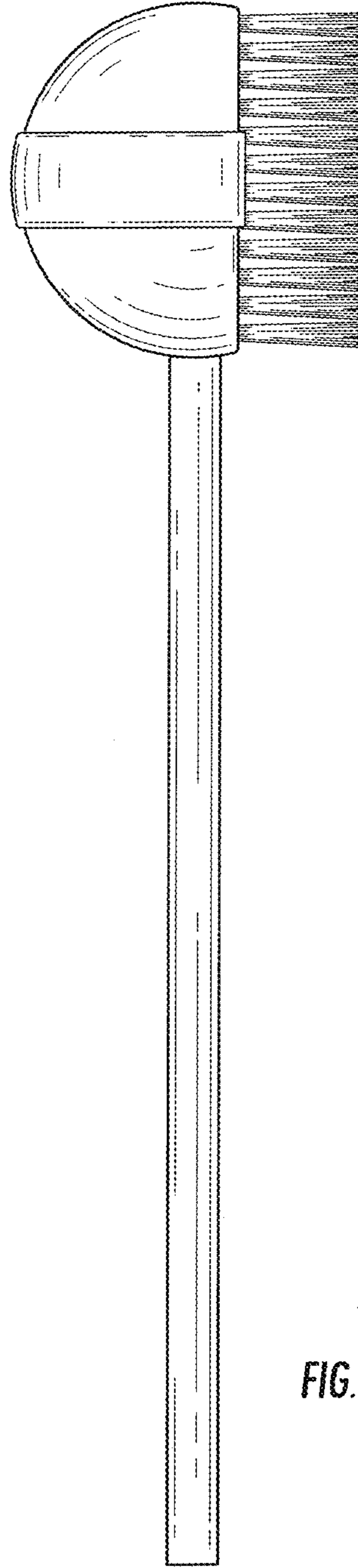
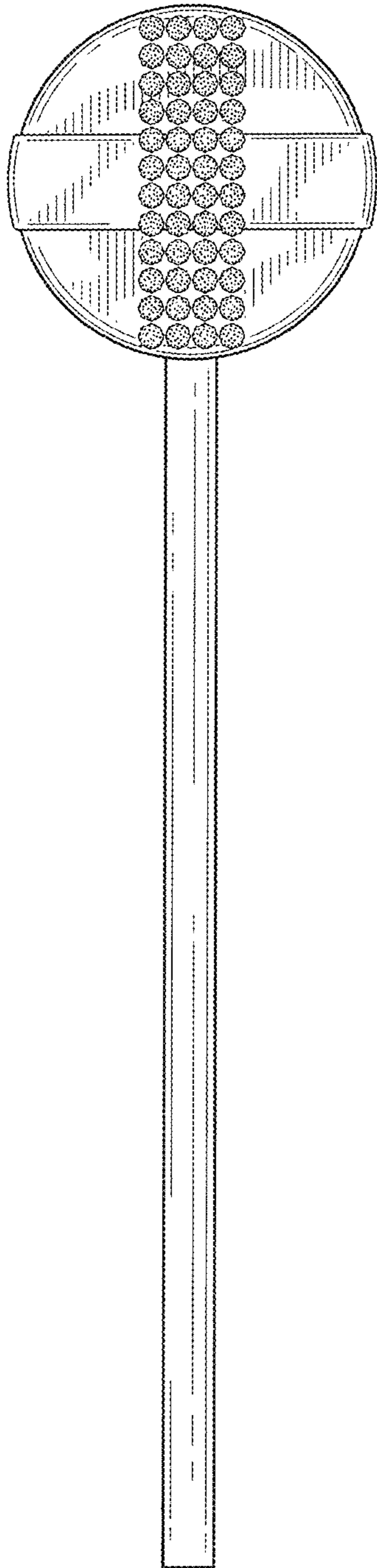


FIG. 1



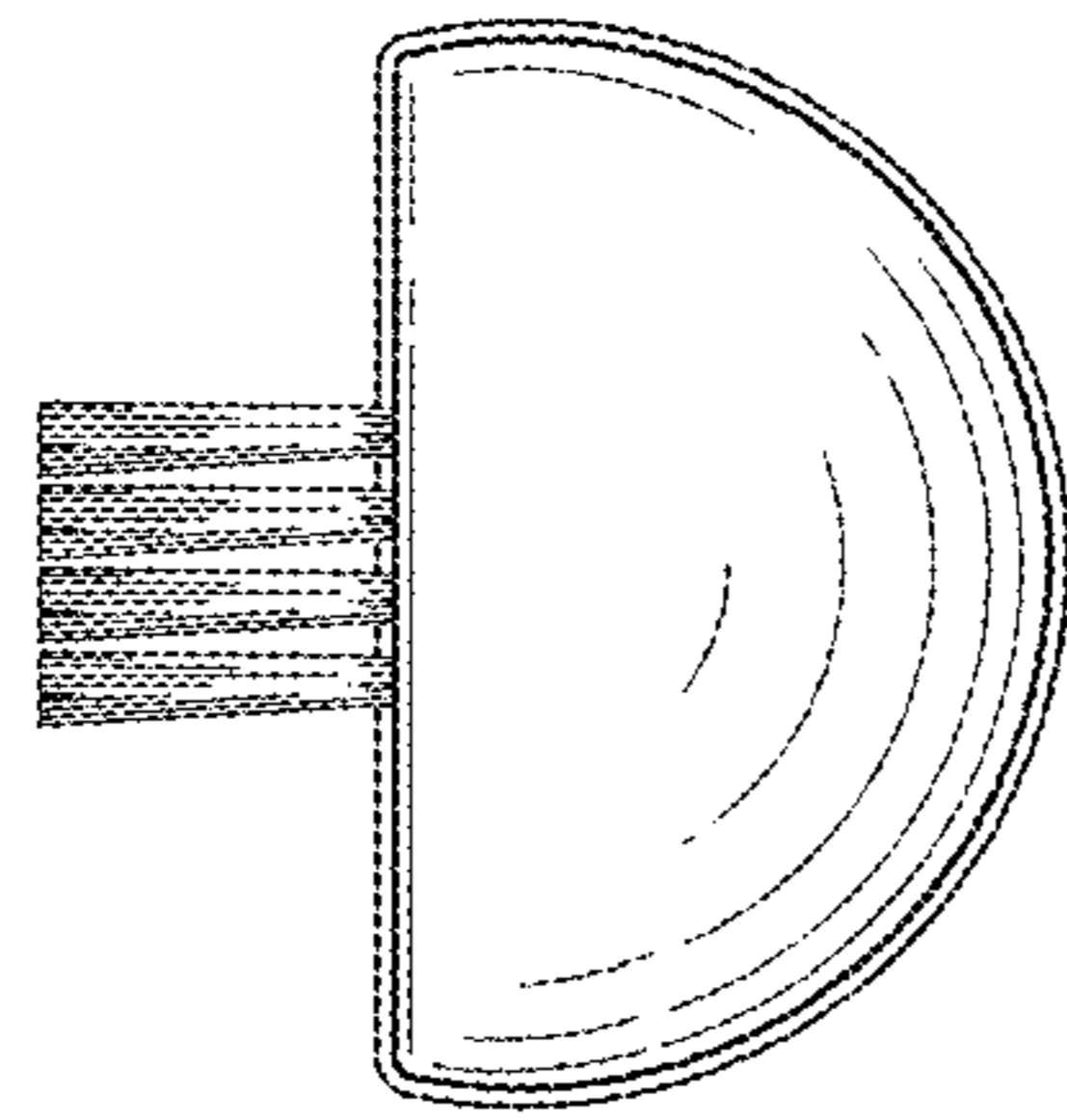


FIG. 4

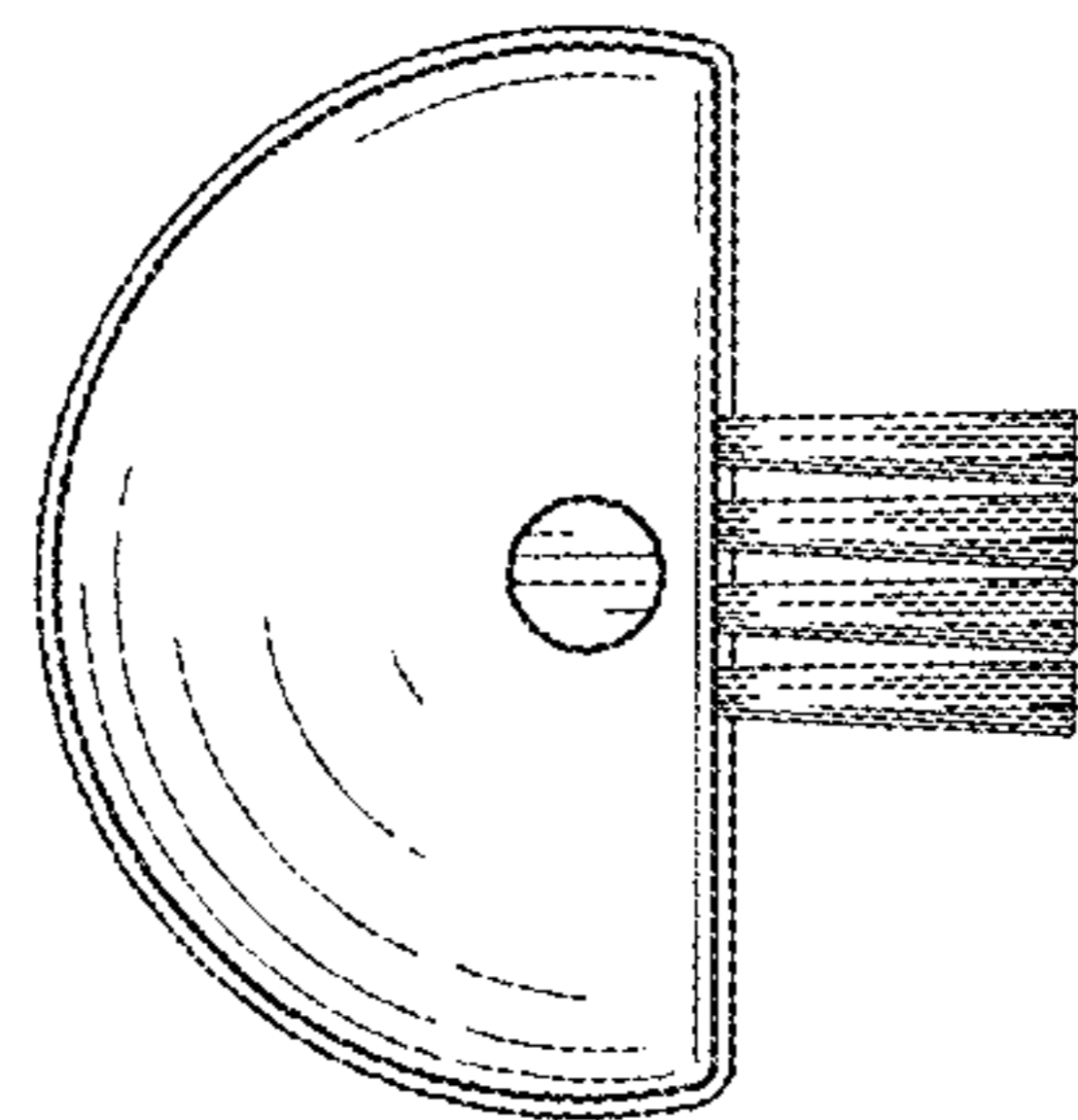


FIG. 5

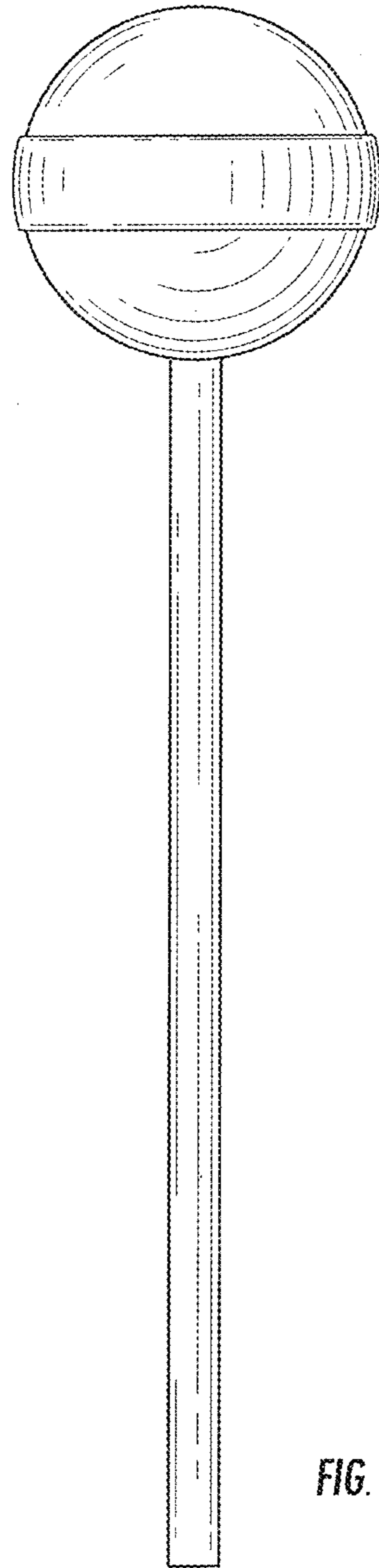


FIG. 6