



US00D798601S

(12) **United States Design Patent** (10) **Patent No.:** **US D798,601 S**
Shou (45) **Date of Patent:** **** Oct. 3, 2017**

(54) **LINKED LOCKET STRAP FOR A HANDBAG**

(71) Applicant: **My Shou**, Lake Mary, FL (US)

(72) Inventor: **My Shou**, Lake Mary, FL (US)

(**) Term: **15 Years**

(21) Appl. No.: **29/554,690**

(22) Filed: **Feb. 13, 2016**

(51) **LOC (10) Cl.** **03-01**

(52) **U.S. Cl.**
USPC **D3/327**

(58) **Field of Classification Search**
USPC D3/232, 233, 237, 318, 322, 324, 325,
D3/327; D8/356; D11/86, 87, 93, 218,
D11/220, 238, 241
CPC .. A44C 5/18; A44C 5/20; A44C 5/185; A44C
5/2009; A44C 5/2014; A45C 13/10
See application file for complete search history.

(56) **References Cited**

U.S. PATENT DOCUMENTS

D36,789 S *	2/1904	Fritsche	D3/324
1,774,334 A *	8/1930	Luft	A44C 5/08 59/79.3
2,167,893 A *	8/1939	Kinney	B42D 19/00 206/37
2,775,093 A *	12/1956	Kundert	A44C 5/102 446/120
D200,155 S *	1/1965	Hedu	D11/216
D242,767 S *	12/1976	Yamaguchi	D11/12
D261,119 S *	10/1981	Barr	D11/12
D360,848 S *	8/1995	Koven	D11/87
D398,881 S *	9/1998	France-Davis	D11/210
D462,287 S *	9/2002	Rosenwasser	D11/13

D517,941 S *	3/2006	Stern	D11/86
D518,406 S *	4/2006	Stern	D11/86
D518,641 S *	4/2006	Della Valle	D3/327
D518,961 S *	4/2006	Armstrong	D3/327
D571,557 S *	6/2008	Lawler	D3/318
D572,484 S *	7/2008	Gonzalez	D3/318
D580,814 S *	11/2008	Beizer	D11/87
D583,565 S *	12/2008	Hermann	D3/318
D650,588 S *	12/2011	Gonzalez	D3/318
D677,467 S *	3/2013	Ford	D3/318
D692,669 S *	11/2013	Yuson	D3/318
D729,112 S *	5/2015	Nolan	D11/87
D742,272 S *	11/2015	Bailey	D11/3
D744,658 S *	12/2015	Hilkey-Boyatt	D11/86

* cited by examiner

Primary Examiner — Susan E Krakower
Assistant Examiner — Lisa A Grabenstetter

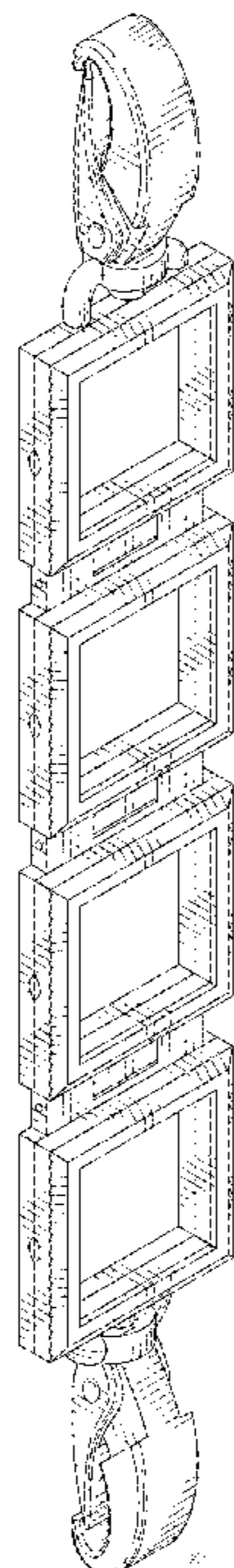
(57) **CLAIM**

I claim the ornamental design for a linked locket strap for a handbag, as shown and described.

DESCRIPTION

FIG. 1 is a perspective view of a linked locket strap for a handbag showing my new design.
FIG. 2 is a top view thereof;
FIG. 3 is a bottom view thereof;
FIG. 4 is a left side view thereof;
FIG. 5 is a right side view thereof;
FIG. 6 is a front view thereof;
FIG. 7 is a back view thereof; and,
FIG. 8 is a perspective view used in environment thereof.
The broken line portions in the drawings describe environmental subject matter only and form no part of the claimed designed.

1 Claim, 3 Drawing Sheets



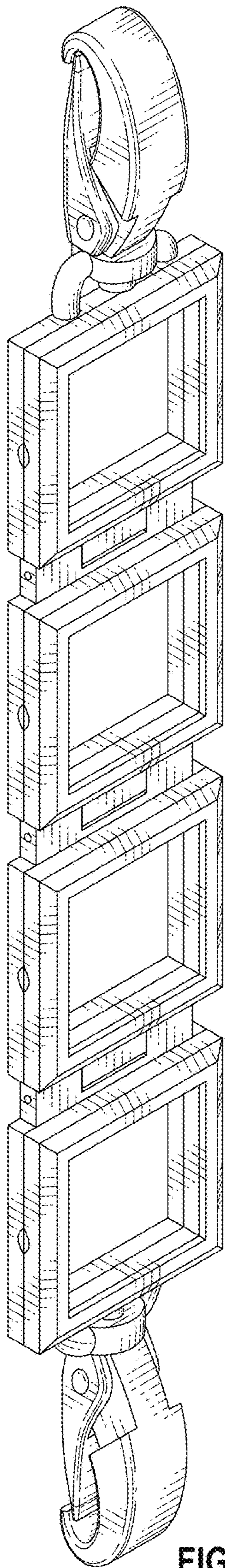


FIG. 1

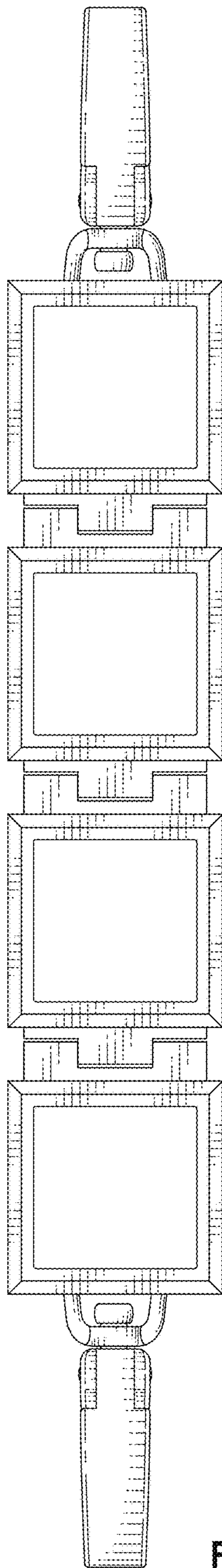


FIG. 2

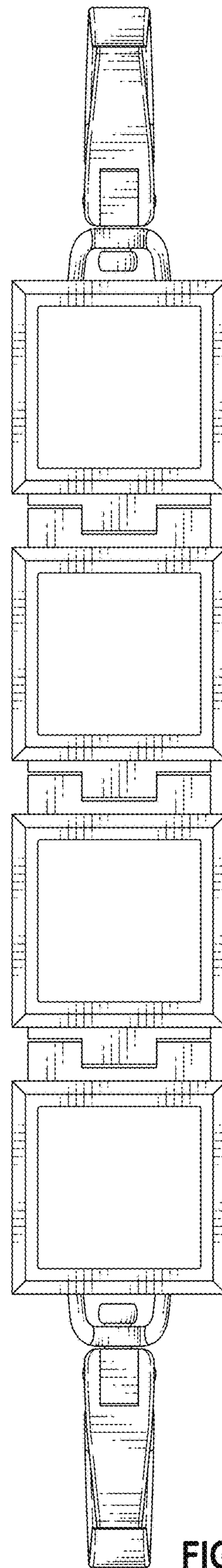


FIG. 3

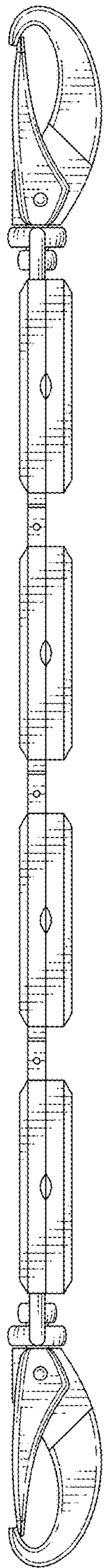


FIG. 4

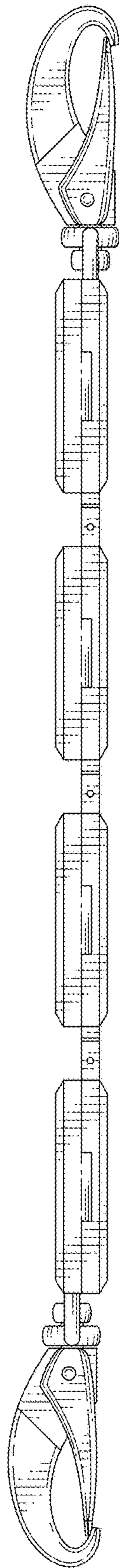


FIG. 5

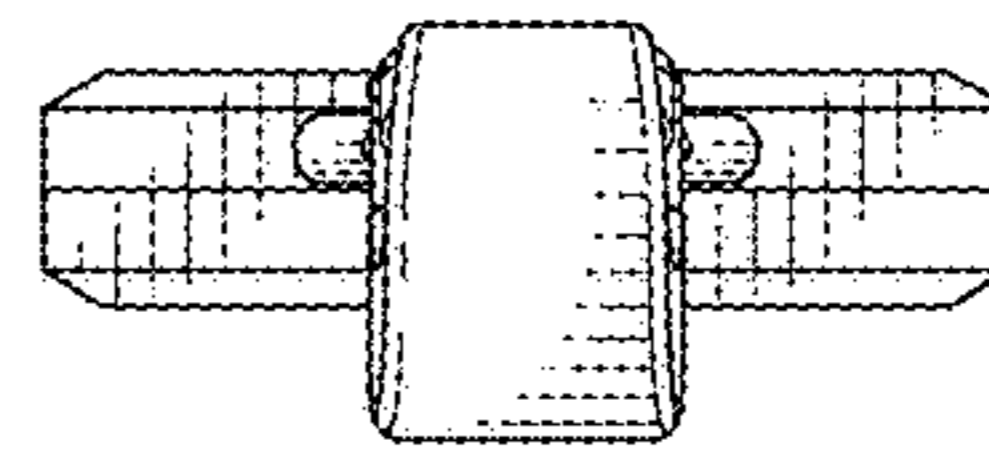


FIG. 6

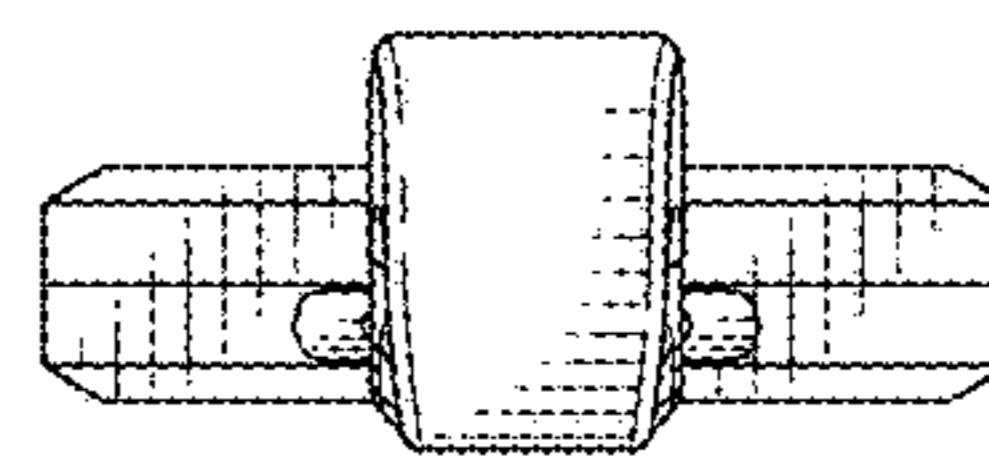


FIG. 7

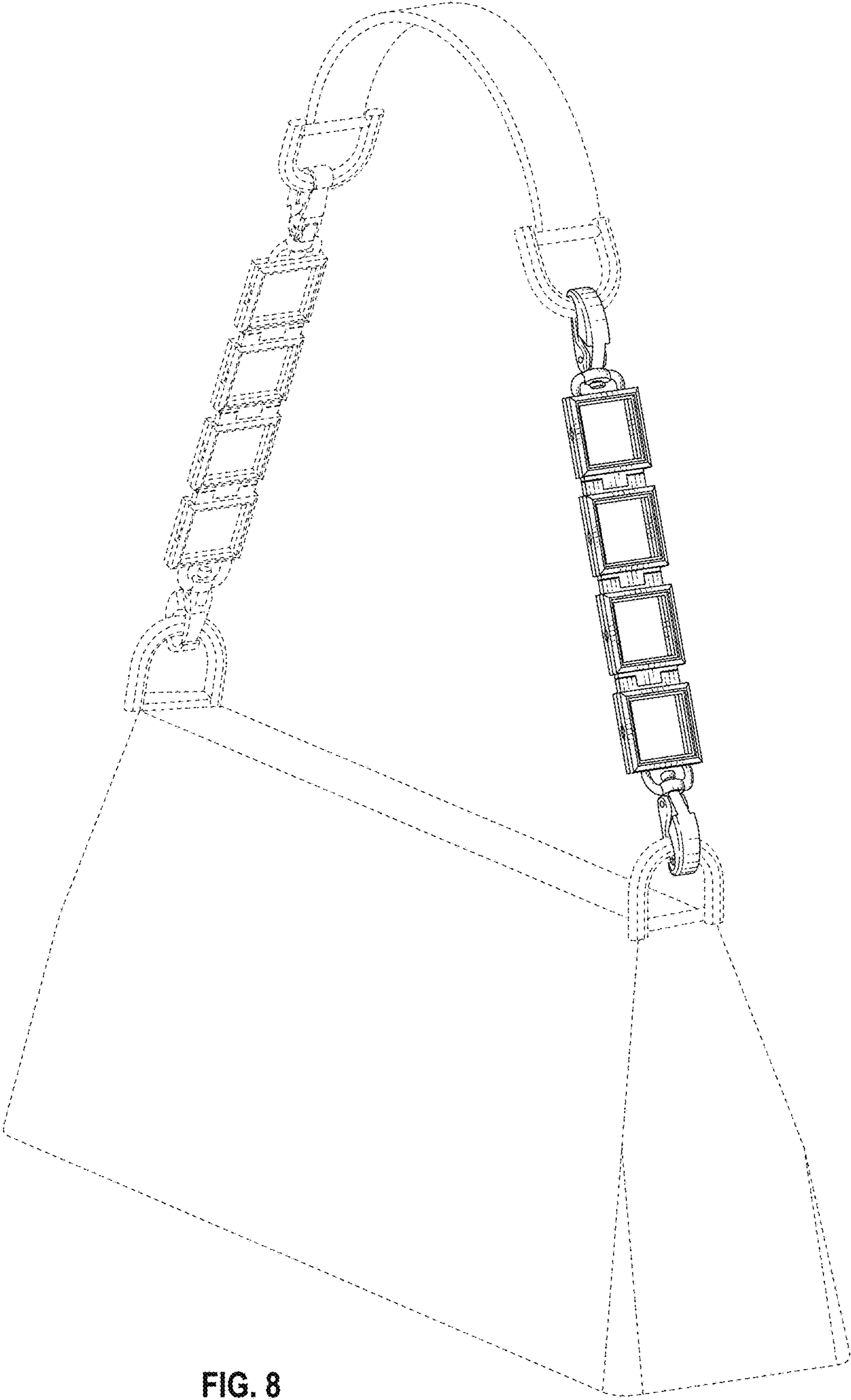


FIG. 8