



US00D798598S

(12) **United States Design Patent** (10) **Patent No.:** **US D798,598 S**  
**Foley et al.** (45) **Date of Patent:** **\*\* Oct. 3, 2017**

(54) **STORAGE CONTAINER**

(71) Applicant: **DEFLECTO, LLC**, Indianapolis, IN (US)

(72) Inventors: **Patrick Foley**, Fishers, IN (US); **Christopher Stuart**, Noblesville, IN (US); **James DeChant**, Carmel, IN (US); **Danielle Rodgers**, Indianapolis, IN (US)

(73) Assignee: **Deflecto, LLC**, Indianapolis, IN (US)

(\*\*) Term: **15 Years**

(21) Appl. No.: **29/550,558**

(22) Filed: **Jan. 5, 2016**

(51) **LOC (10) Cl.** ..... **03-01**

(52) **U.S. Cl.**  
USPC ..... **D3/295**

(58) **Field of Classification Search**  
USPC ..... D3/203.1, 203.2, 203.3, 203.6, 204, 205, D3/269, 273, 276, 281, 284, 285, 289,  
(Continued)

(56) **References Cited**

**U.S. PATENT DOCUMENTS**

D325,281 S \* 4/1992 Jordan ..... D3/302  
D364,956 S \* 12/1995 Dull ..... D3/269  
(Continued)

**OTHER PUBLICATIONS**

Amazon, "Mobin Series—Wall Mounted Organizer with Detachable/6X2 Tilted Bins", Accessed Mar. 29, 2017. ([https://www.amazon.com/Mobin-Mounted-Organizer-Detachable-Tilted/dp/B00TE3R8DG/ref=cm\\_cr\\_arp\\_d\\_product\\_top?ie=UTF8](https://www.amazon.com/Mobin-Mounted-Organizer-Detachable-Tilted/dp/B00TE3R8DG/ref=cm_cr_arp_d_product_top?ie=UTF8)).\*  
(Continued)

*Primary Examiner* — Jennifer Rivard  
*Assistant Examiner* — April Rivas

(74) *Attorney, Agent, or Firm* — Dentons US LLP; Brian R. McGinley; Roman Tsibulevskiy

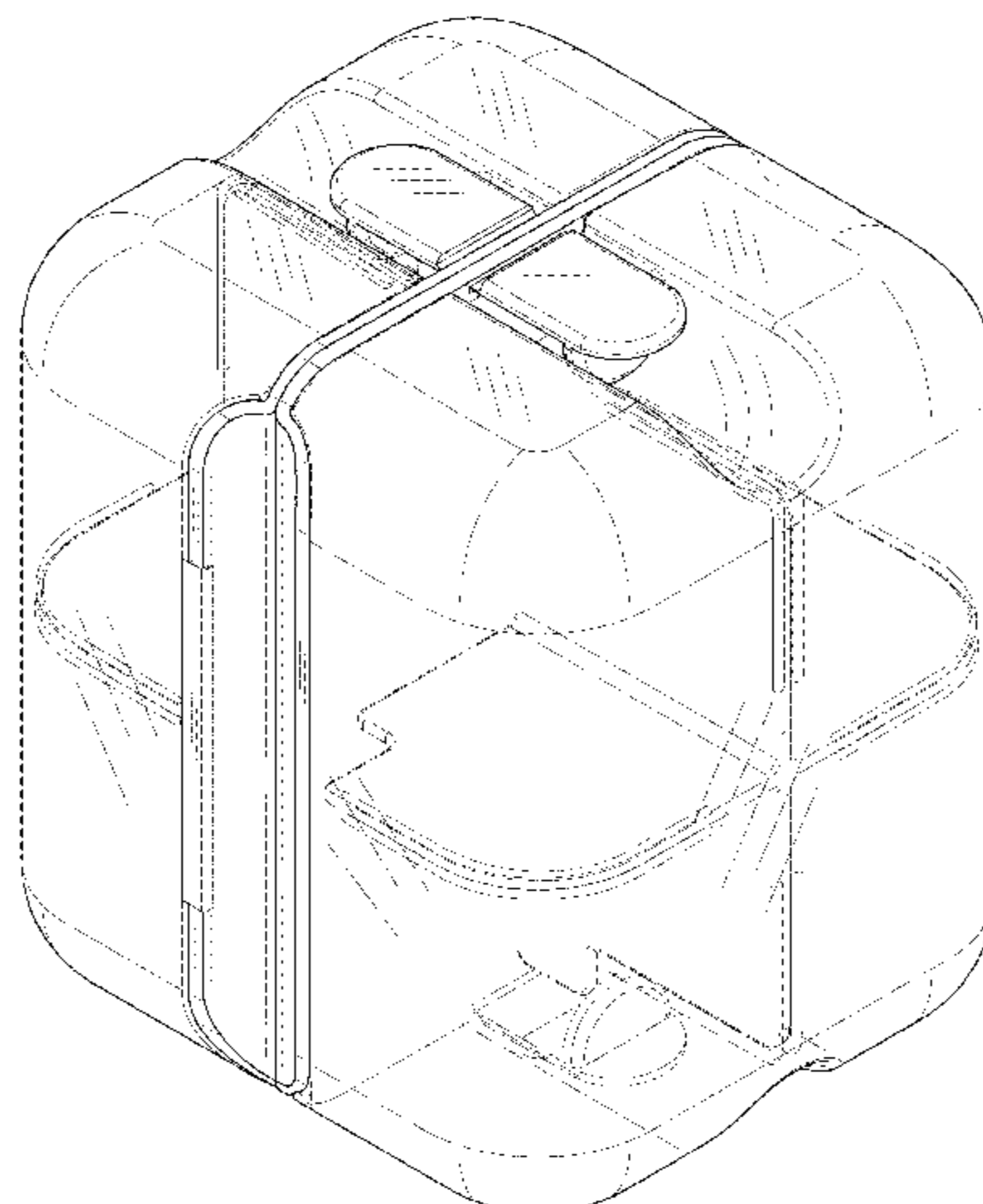
(57) **CLAIM**

The ornamental design for a storage container, as shown and described.

**DESCRIPTION**

FIG. 1 is a perspective view of a storage container illustrating an embodiment of a new design; FIG. 2 is front view of the storage container illustrating the embodiment of the storage container of FIG. 1; FIG. 3 is a rear view of the storage container illustrating the embodiment of the storage container of FIG. 1; FIG. 4 is a left-side view of the storage container illustrating the embodiment of the storage container of FIG. 1, where the right-side view is a mirror image of the left-side view; FIG. 5 is a top view of the storage container illustrating the embodiment of the storage container of FIG. 1, where the bottom view is a mirror image of the top view; and FIG. 6 is a perspective view of the storage container illustrating the embodiment of the storage container of FIG. 1 in a partially open configuration, where the storage container is open and the covers are in a closed position; FIG. 7 is another perspective view of the storage container illustrating the embodiment of the storage container of FIG. 1 in a fully open configuration, where the storage container is open and the covers are in an open position; FIG. 8 is another perspective view of the storage container illustrating the embodiment of the storage container of FIG. 1 in a fully open and exploded configuration, where the storage container is open and the covers are in an open position and one divider is removed from the storage container; and, FIG. 9 is another perspective view of the storage container within an environment. The broken lines illustrate environment and form no part of the claimed design.

**1 Claim, 9 Drawing Sheets**



(58) **Field of Classification Search**

USPC ..... D3/301, 302, 901, 903, 315, 267, 206;  
D19/106, 75; D24/230; D9/741  
CPC ... A45C 2011/007; A45C 20/008; A45C 5/04;  
A45C 5/08; A45C 3/00; A45C 5/00;  
B65D 81/3813; B65D 1/22; B65D 1/00;  
B65D 21/00

See application file for complete search history.

(56) **References Cited**

U.S. PATENT DOCUMENTS

D395,970	S	*	7/1998	Curry	.....	D6/517
D443,762	S	*	6/2001	Park	.....	D28/61
D448,154	S	*	9/2001	Mann	.....	D3/203.1
D473,054	S	*	4/2003	Roehrig	.....	D3/294
D509,133	S	*	9/2005	Au	.....	D3/294
D513,451	S	*	1/2006	Richardson	.....	D3/273
D535,102	S	*	1/2007	Matsuda	.....	D3/302
D575,956	S	*	9/2008	Reardon	.....	D3/295
D663,524	S	*	7/2012	Penttinen	.....	D3/273
D672,554	S	*	12/2012	Penttinen	.....	D3/273
D764,799	S	*	8/2016	Ball	.....	D3/302
D775,832	S	*	1/2017	Stuart	.....	D3/315
D779,295	S	*	2/2017	Weernink	.....	D3/302

OTHER PUBLICATIONS

One Stop Craft Shop, "Deflecto product listing", Accessed Mar. 21, 2017. (<https://www.onestopcraftshop.com/deflecto-craft-storage-solutions>).\*

\* cited by examiner

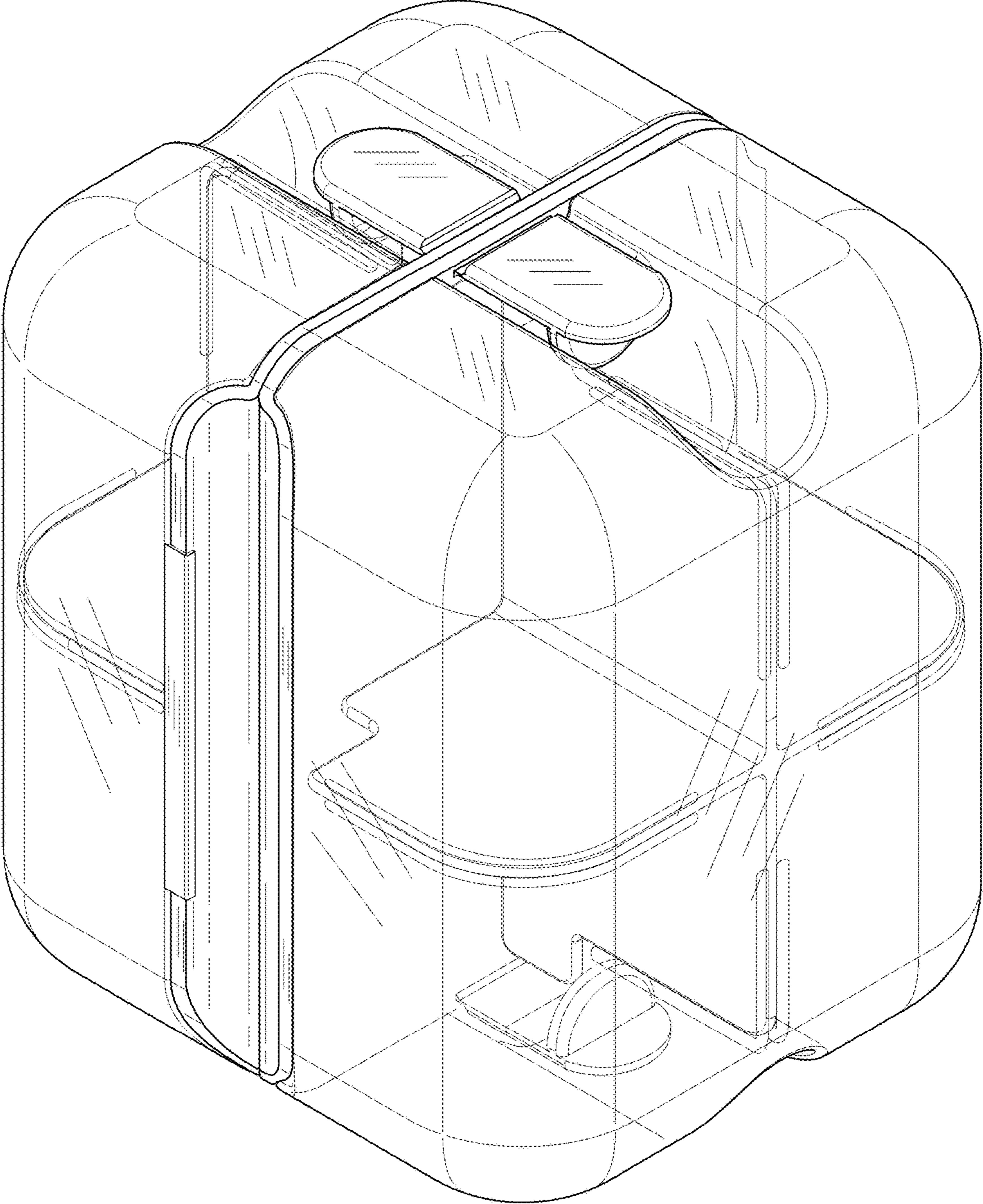


FIG. 1



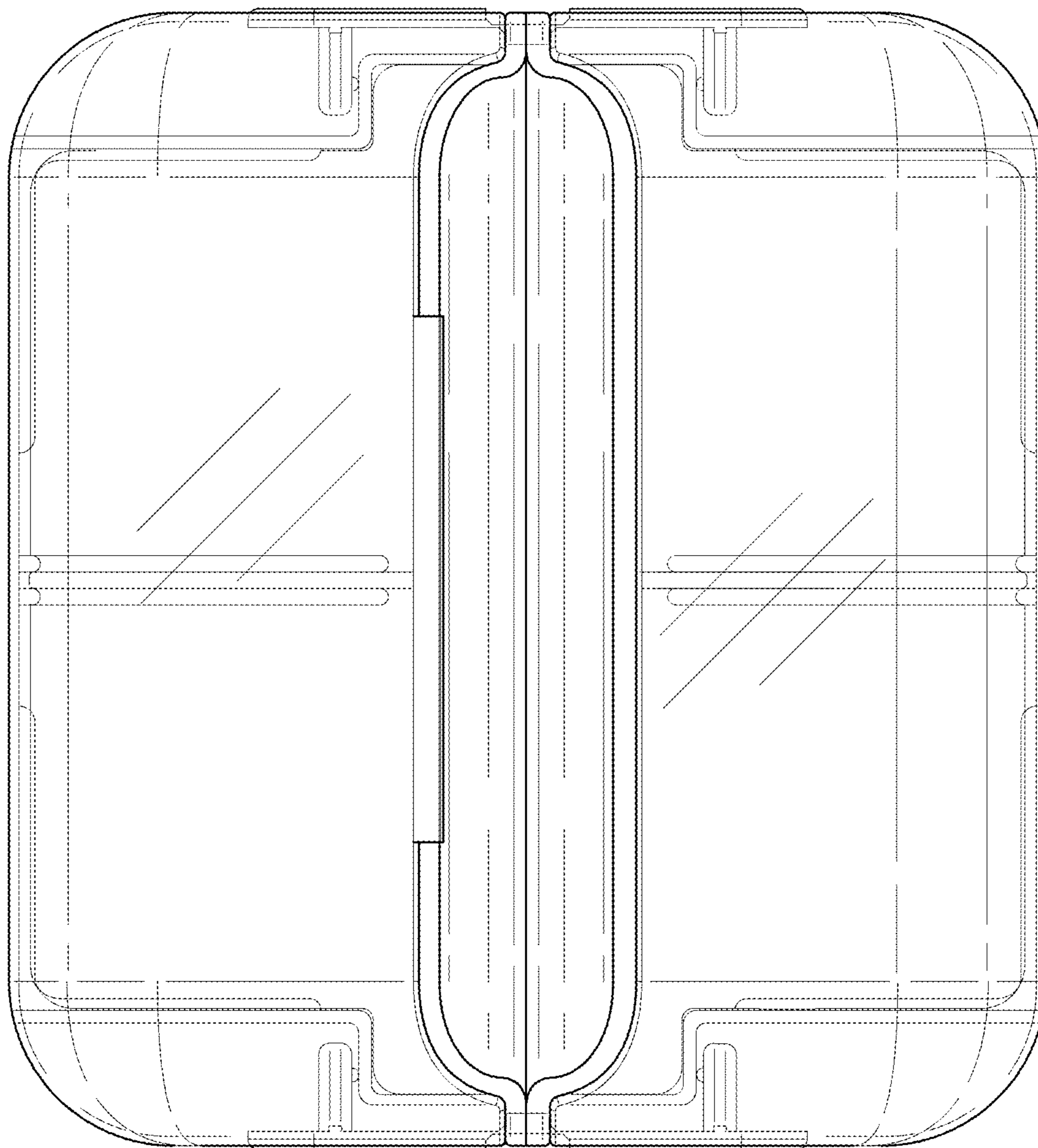


FIG. 2

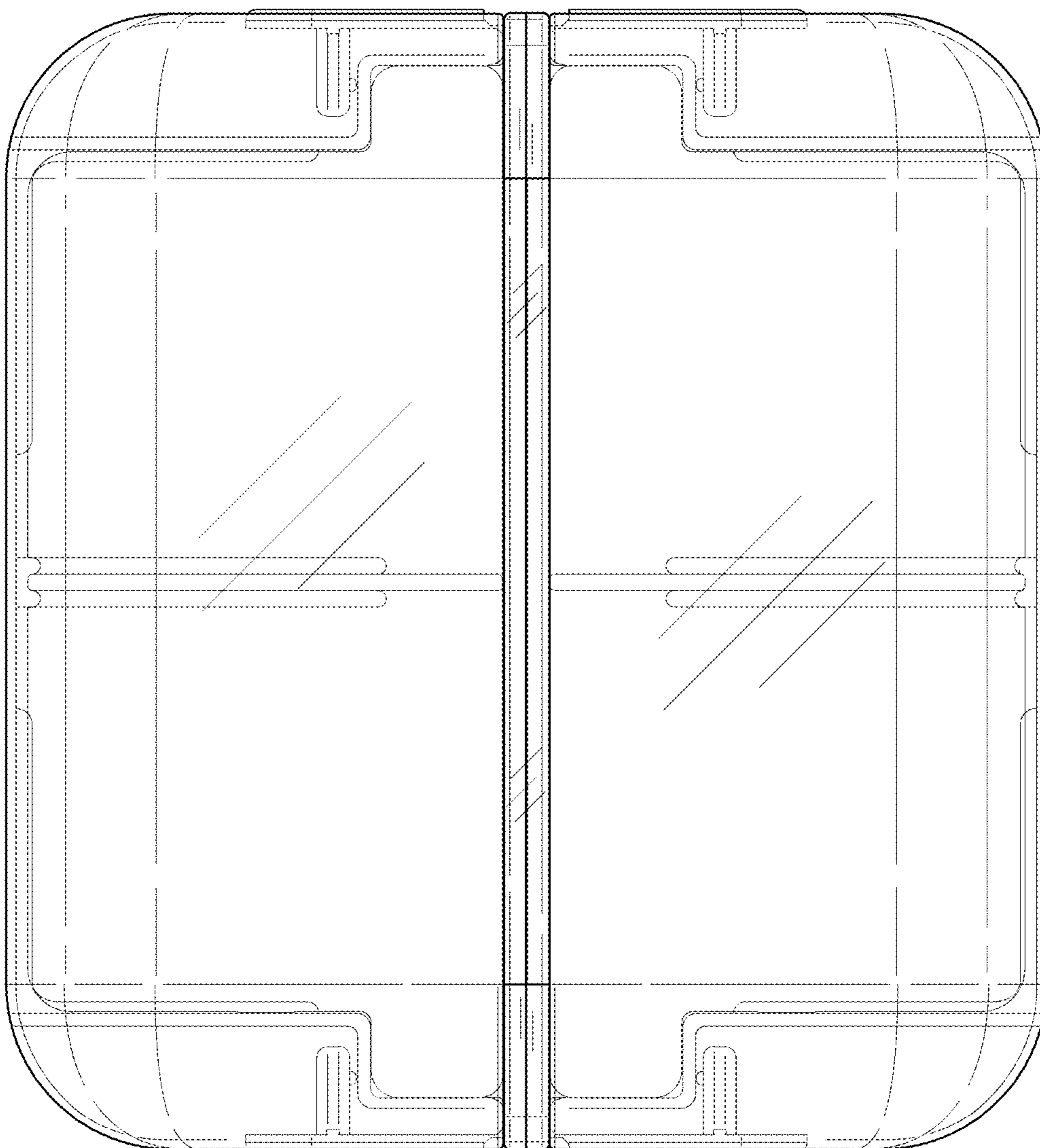
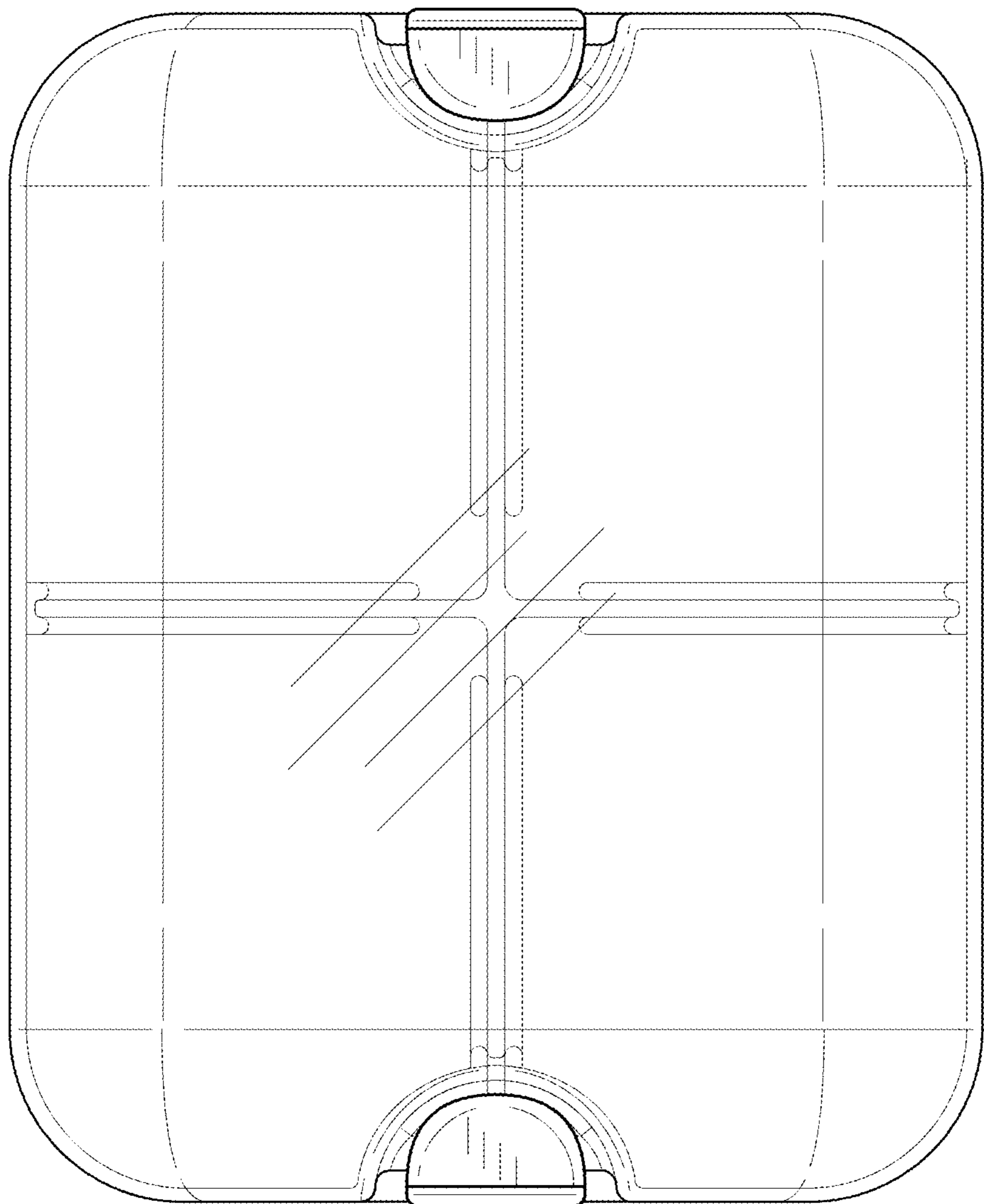


FIG. 3



**FIG. 4**

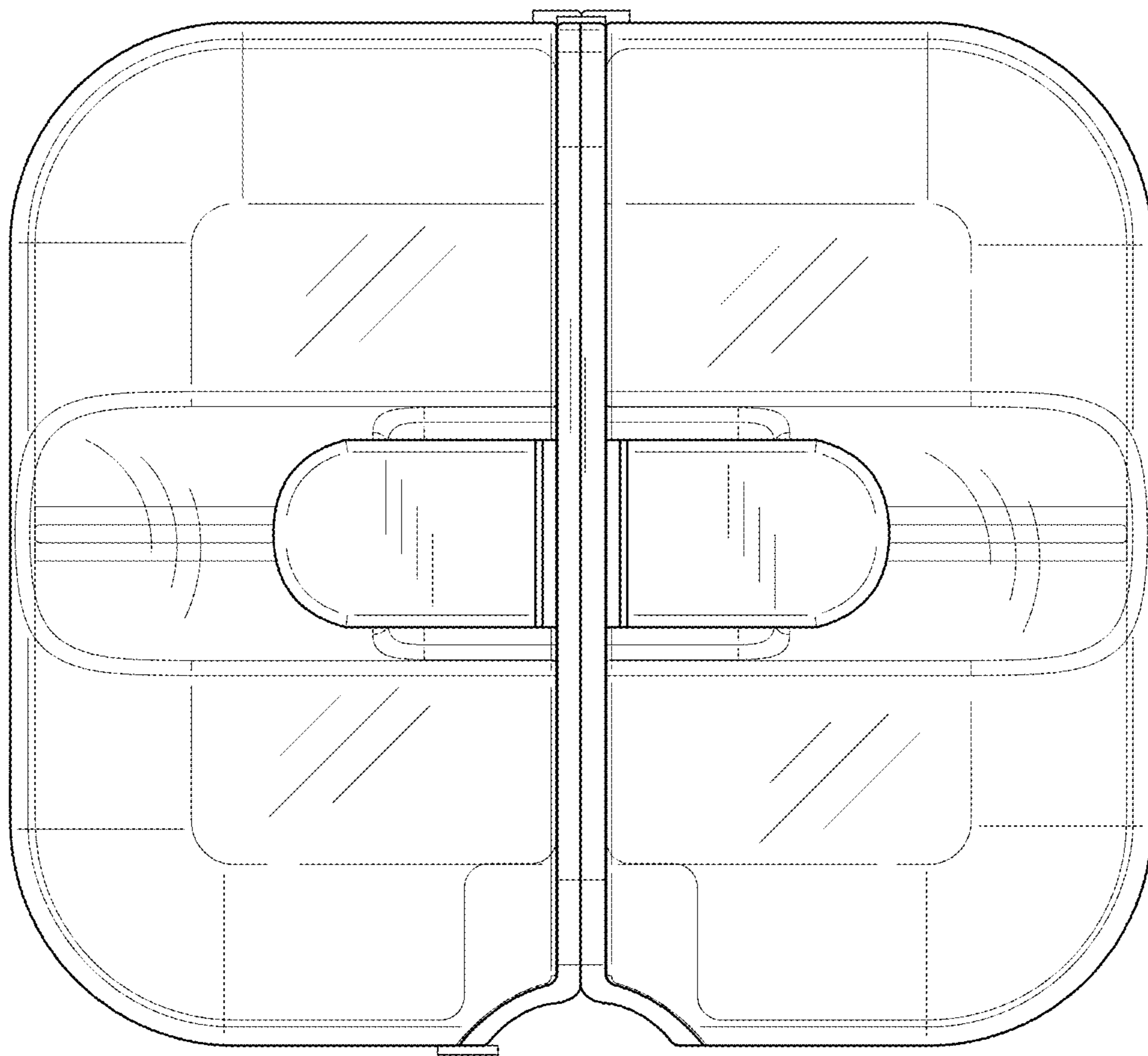


FIG. 5

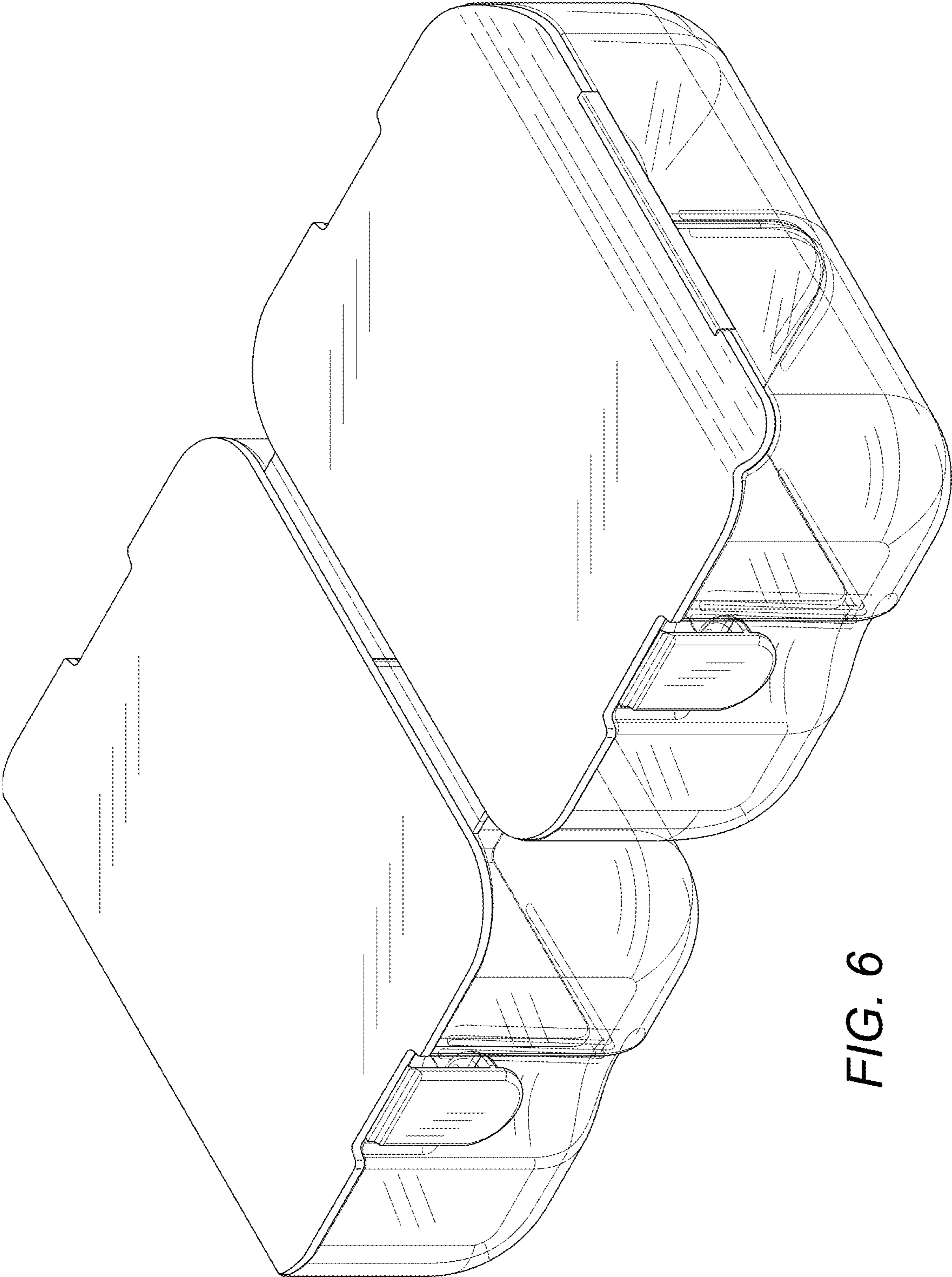


FIG. 6



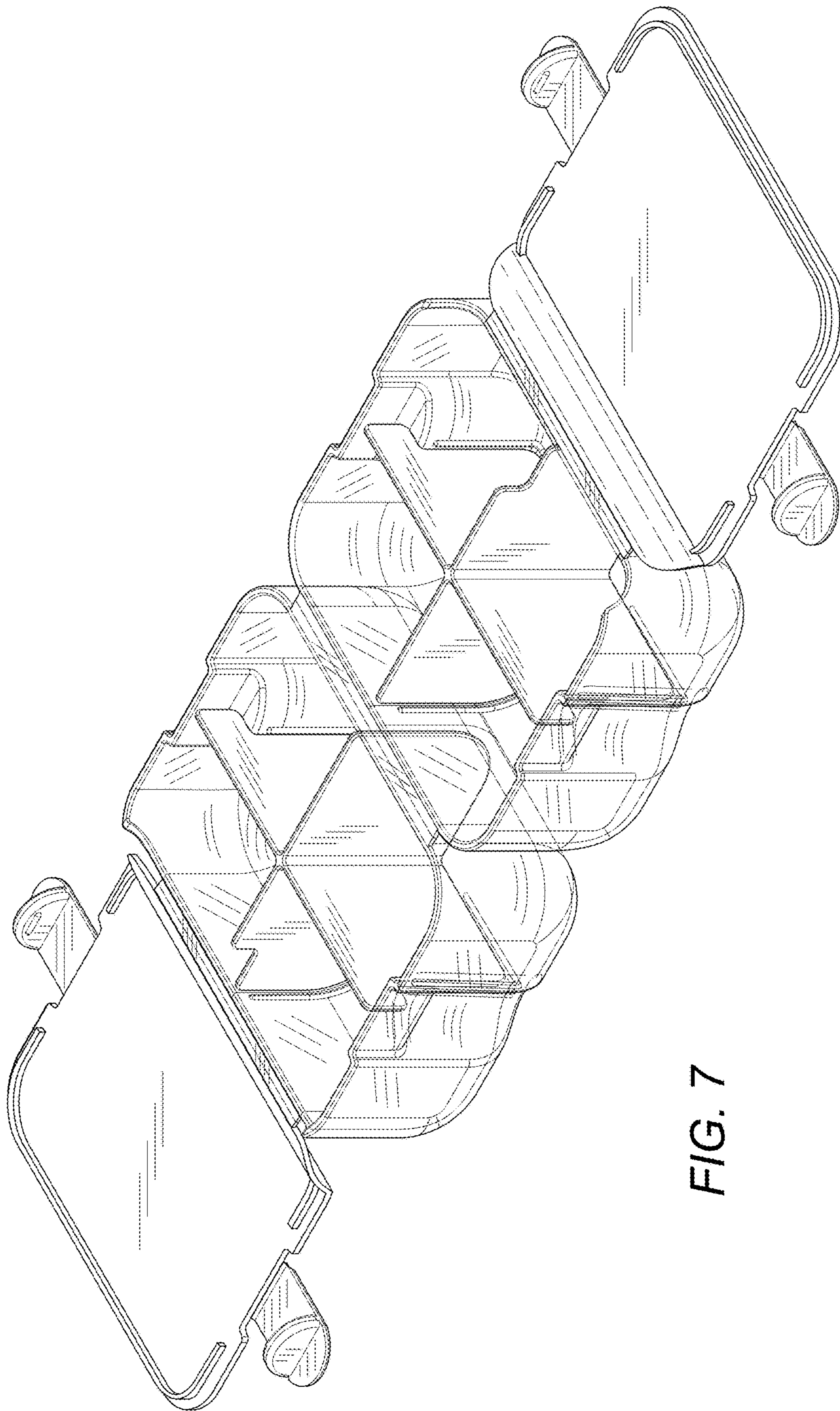


FIG. 7

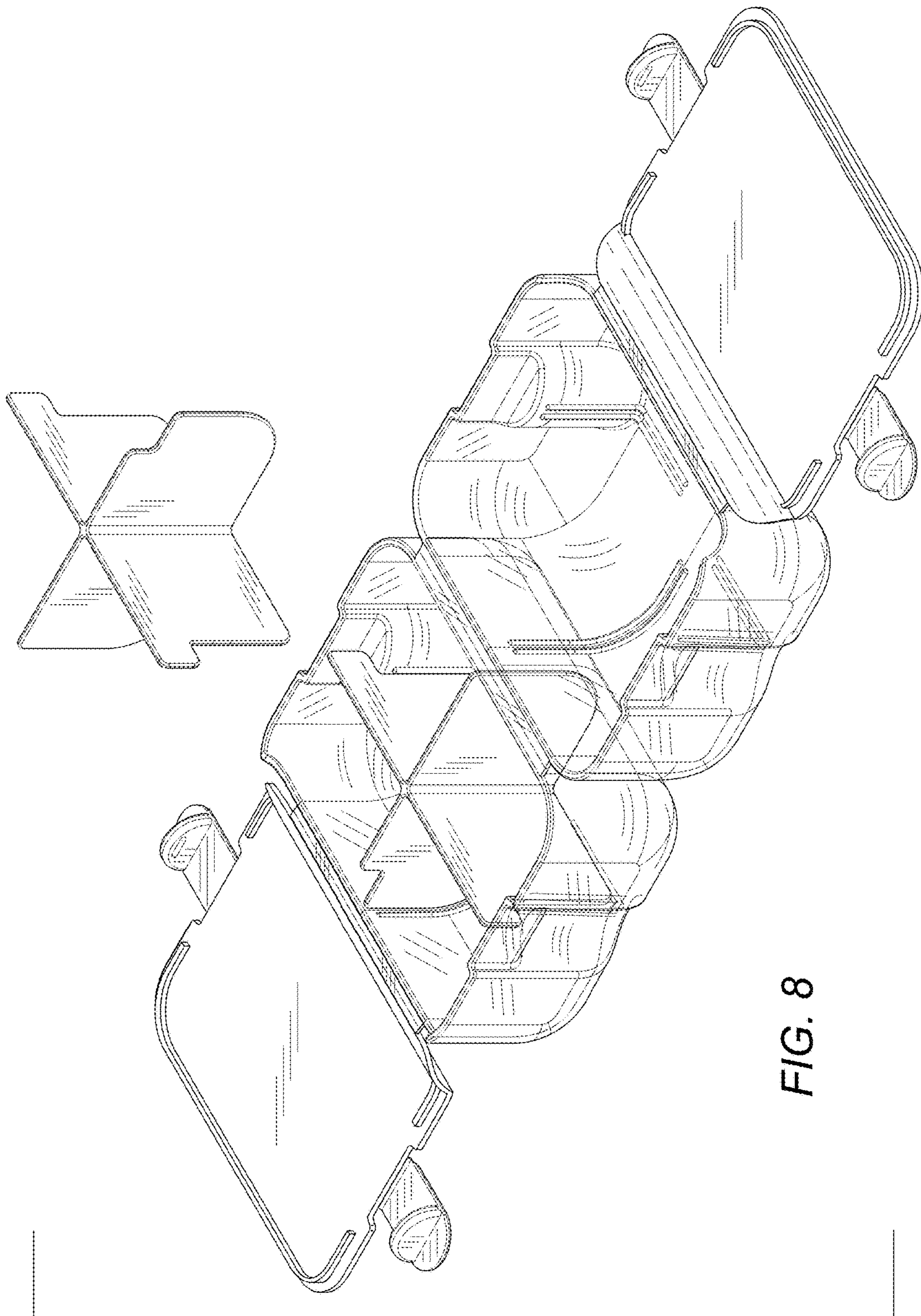


FIG. 8

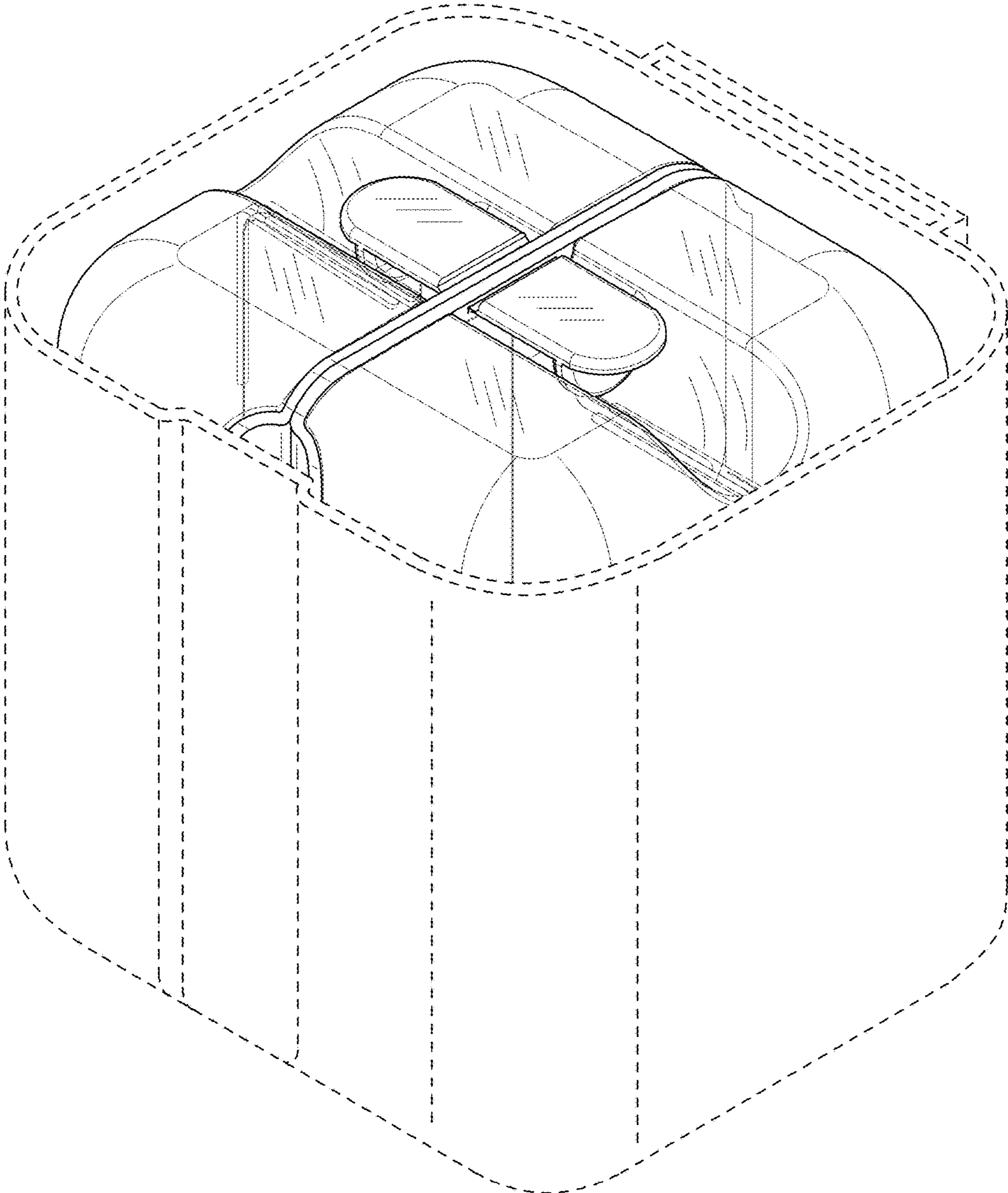


FIG. 9