



US00D798597S

(12) **United States Design Patent**
Dietsche

(10) **Patent No.:** **US D798,597 S**

(45) **Date of Patent:** **** Oct. 3, 2017**

(54) **STORAGE BOX WITH COVER**

(71) Applicant: **Swarovski Aktiengesellschaft**, Triesen (LI)

(72) Inventor: **Patrick Dietsche**, Diepoldsau (CH)

(73) Assignee: **Swarovski Aktiengesellschaft** (LI)

(**) Term: **14 Years**

(21) Appl. No.: **29/503,179**

(22) Filed: **Sep. 24, 2014**

(30) **Foreign Application Priority Data**

Sep. 2, 2014 (EM) 2529248

(51) **LOC (10) Cl.** **03-01**

(52) **U.S. Cl.**
USPC **D3/294**

(58) **Field of Classification Search**
USPC D3/273, 274, 275, 276, 281, 284, 292,
D3/294, 295, 296, 302, 905, 901, 903,
D3/205, 203.1, 279, 282, 242; D27/172,
D27/186, 187, 189, 191
CPC A45C 5/04; A45C 11/16; A61J 1/00; A24F
15/00; A24F 15/005; A24F 15/02; A24F
15/08; A24F 15/20
See application file for complete search history.

(56) **References Cited**

U.S. PATENT DOCUMENTS

D278,096 S *	3/1985	Walker	D3/295
D303,764 S *	10/1989	Kilmartin, III	D3/295
D386,615 S *	11/1997	Minami	D3/284
D401,763 S *	12/1998	Wolff	D3/273
D474,340 S *	5/2003	Vasudeva	D3/276
D474,596 S *	5/2003	Osiecki	D3/273
D477,143 S *	7/2003	Nagata	D3/294

D529,289 S *	10/2006	Roesler	D3/294
D543,700 S *	6/2007	Parker	D14/315
D548,971 S *	8/2007	Lin	D3/294
D557,897 S *	12/2007	Richardson	D3/294
D570,114 S *	6/2008	Netz	D3/294
D616,200 S *	5/2010	Riedel	D3/281
D624,315 S *	9/2010	Amatrudo	D3/276
D644,437 S *	9/2011	Lintula	D3/294
D664,766 S *	8/2012	Prats	D3/294
D677,051 S *	3/2013	Wolff	D3/294
D704,442 S *	5/2014	Chen	D3/294
D723,802 S *	3/2015	Jones	D19/113
D729,520 S *	5/2015	Koeniger	D3/294
RE45,787 E *	11/2015	Hurt	D3/294
D749,845 S *	2/2016	Tonelli	D3/276
D749,846 S *	2/2016	Koeniger	D3/294
D753,917 S *	4/2016	Koeniger	D3/294

(Continued)

Primary Examiner — Sandra Snapp

Assistant Examiner — Holly E Thurman

(74) *Attorney, Agent, or Firm* — David I. Roche

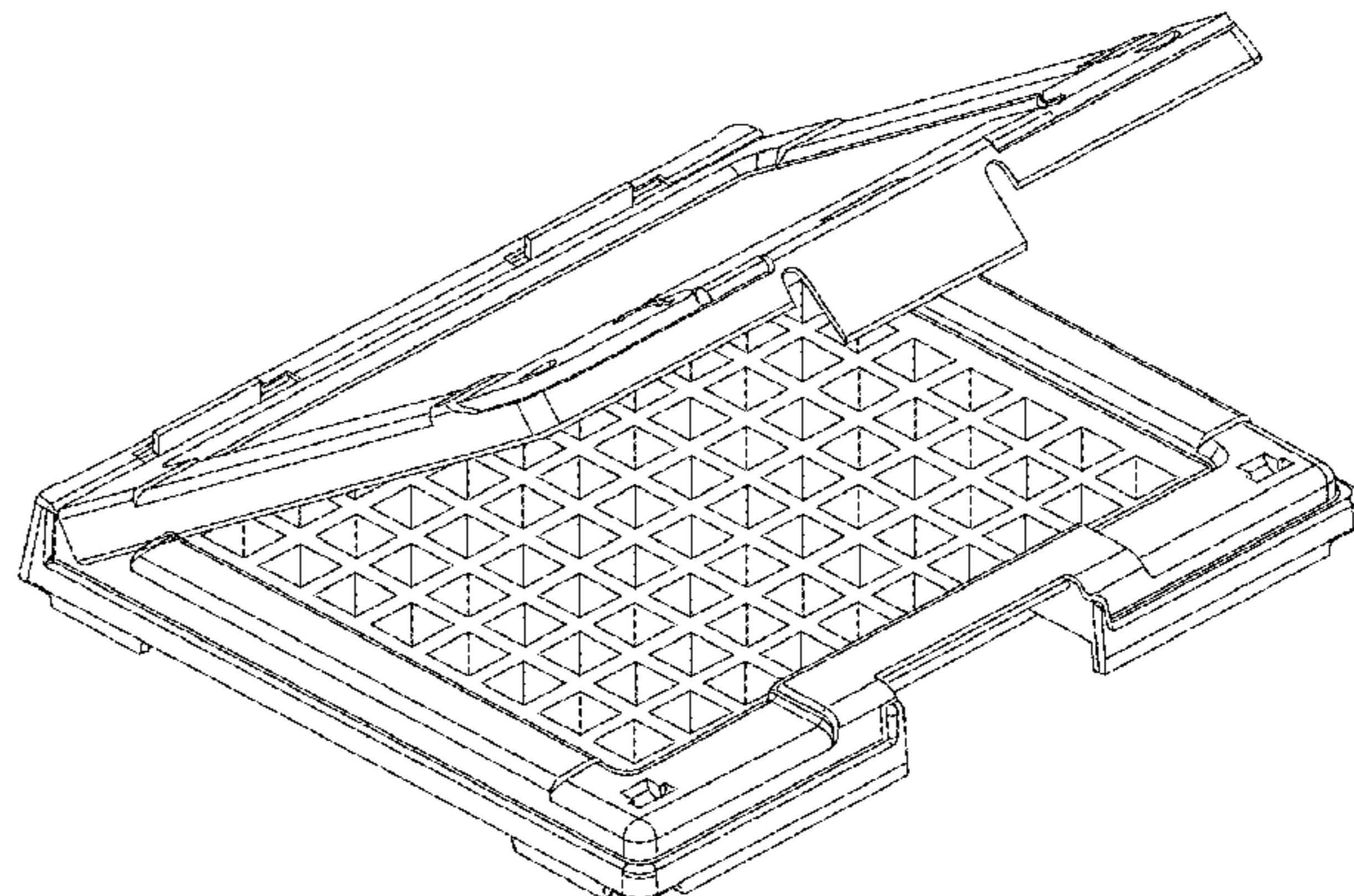
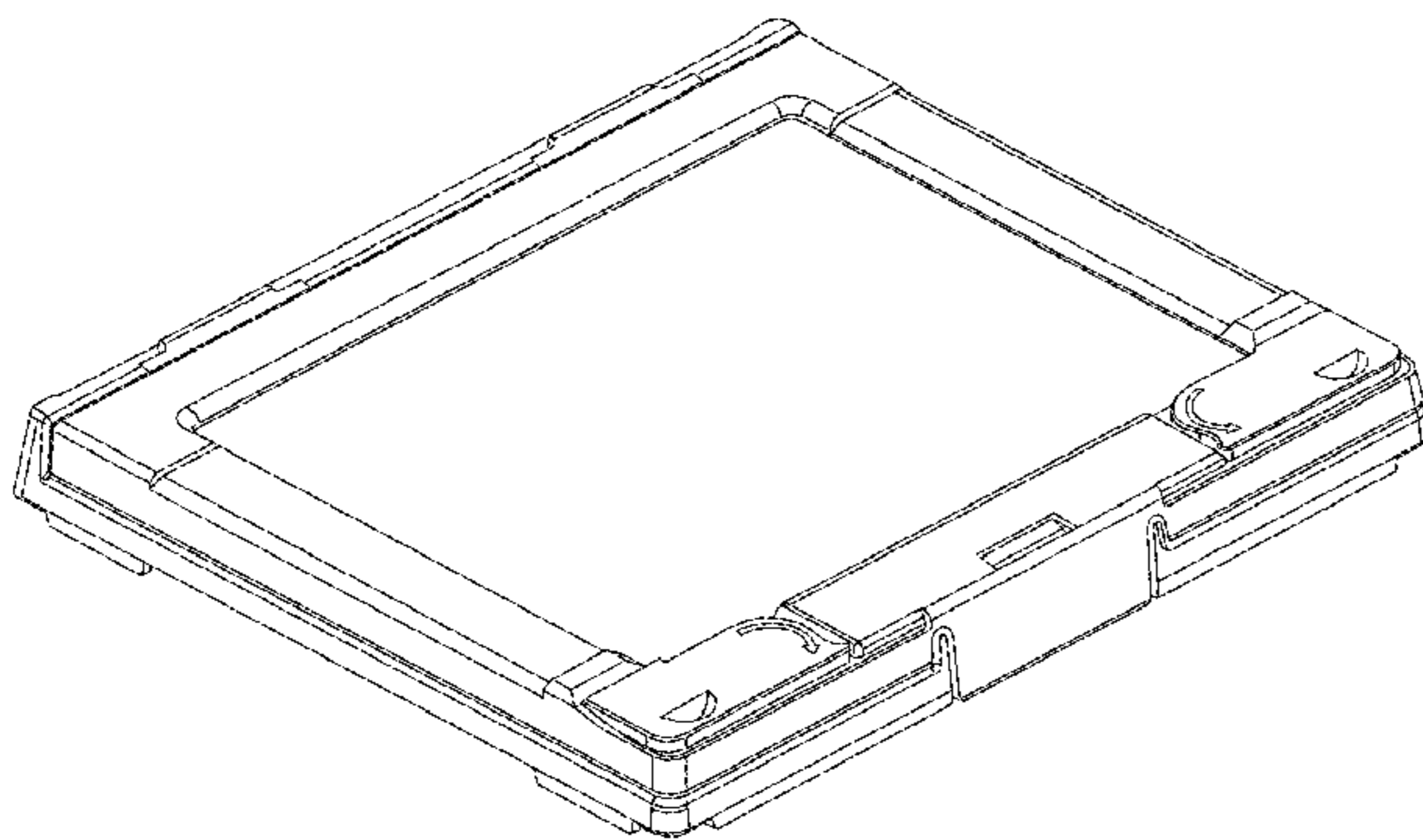
(57) **CLAIM**

I claim the ornamental design for a storage box with cover, as shown and described.

DESCRIPTION

FIG. 1 is a top perspective view of the storage box showing my new design, with the cover in a closed condition; FIG. 2 is another top perspective view with the cover shown between a closed and open condition thereof; FIG. 3 is another top perspective view with the cover shown in an open condition thereof; FIG. 4 is a rear view of FIG. 1; FIG. 5 is a bottom view thereof; FIG. 6 is a right side view thereof; FIG. 7 is a front view thereof; FIG. 8 is a left side view thereof; and, FIG. 9 is a top view thereof.

1 Claim, 9 Drawing Sheets



(56)

References Cited

U.S. PATENT DOCUMENTS

D757,434 S * 5/2016 Beilman D28/76
D759,378 S * 6/2016 West D3/294

* cited by examiner

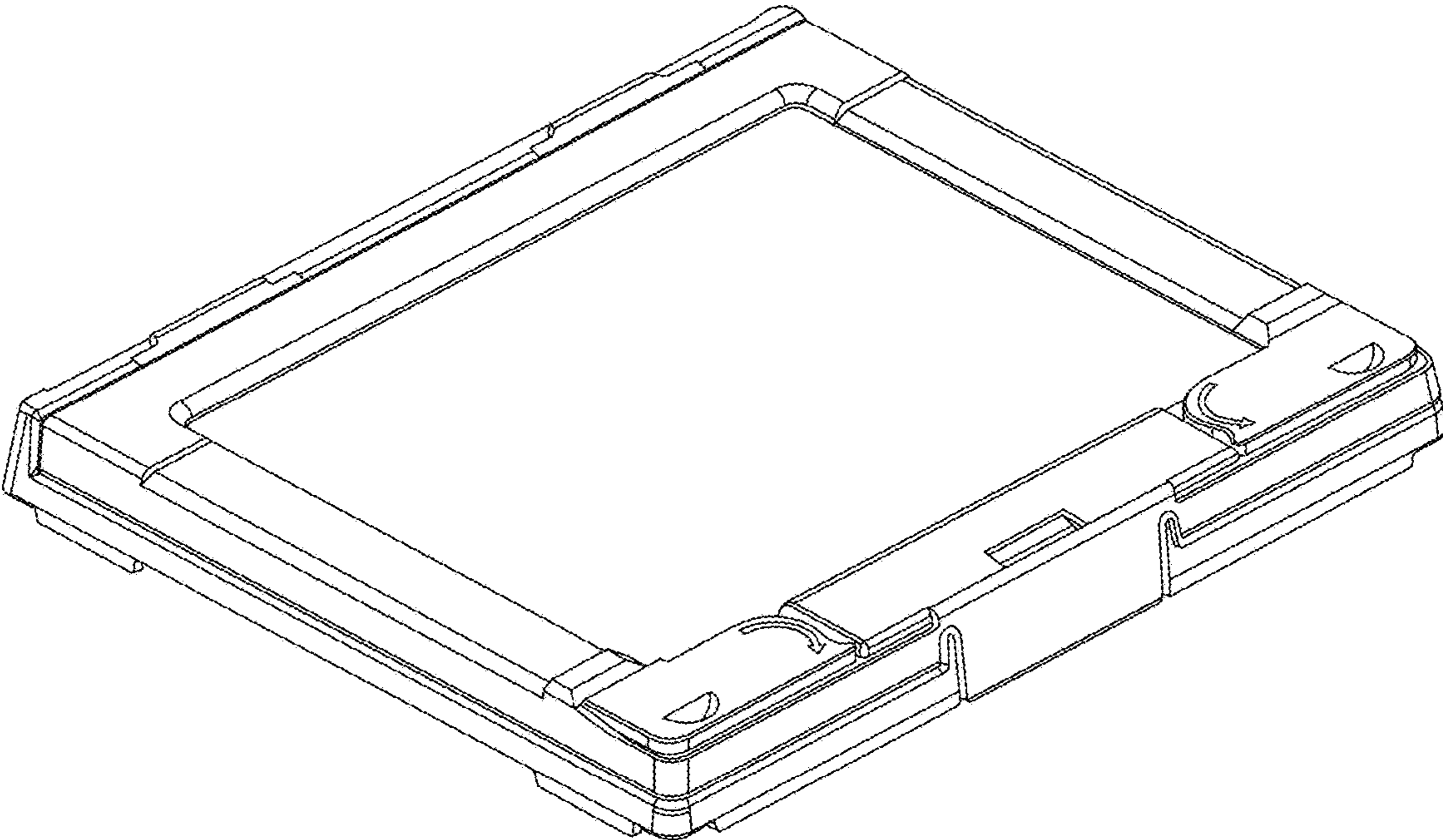


FIG. 1

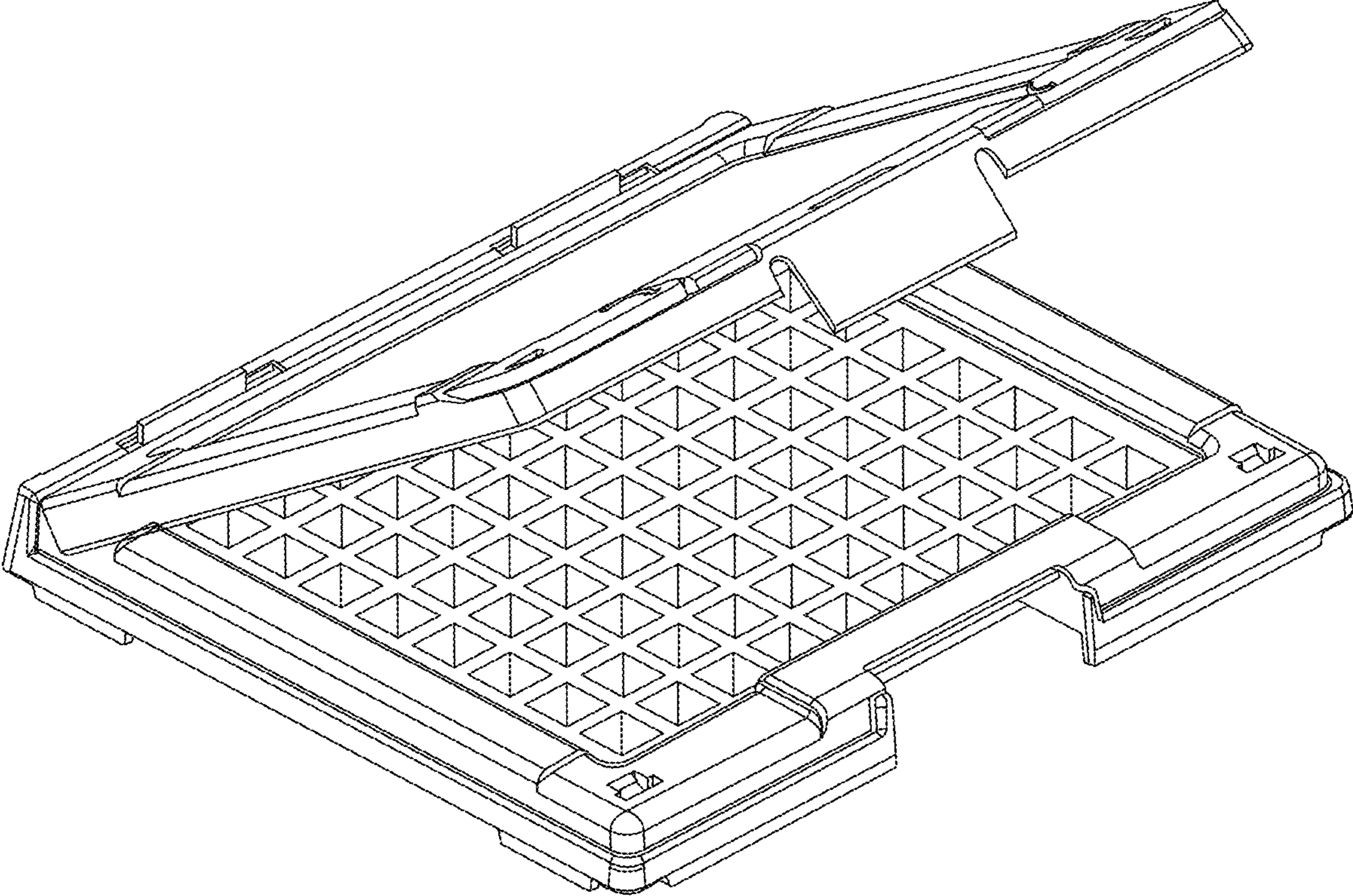


FIG.2

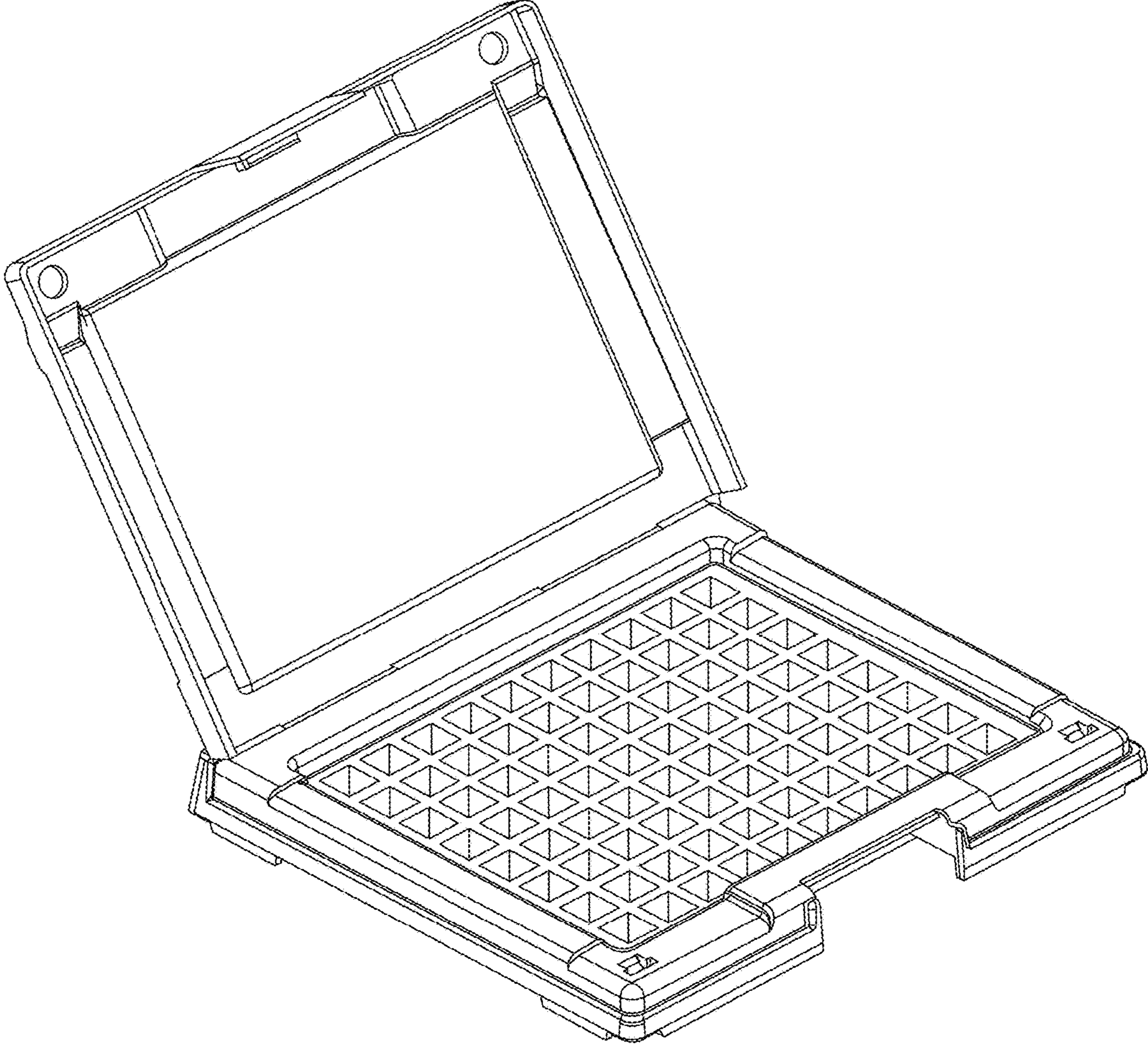


FIG. 3

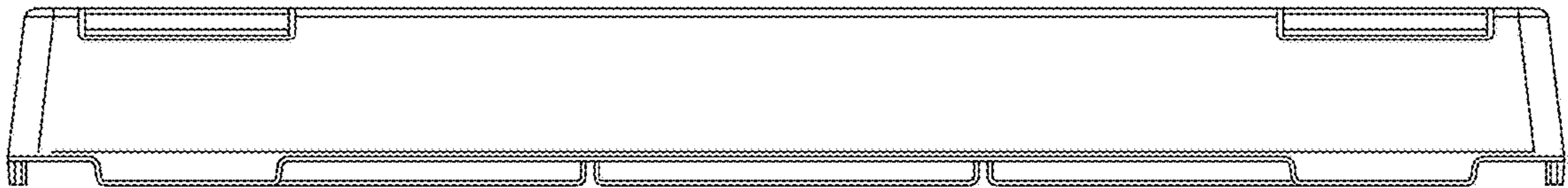


FIG.4

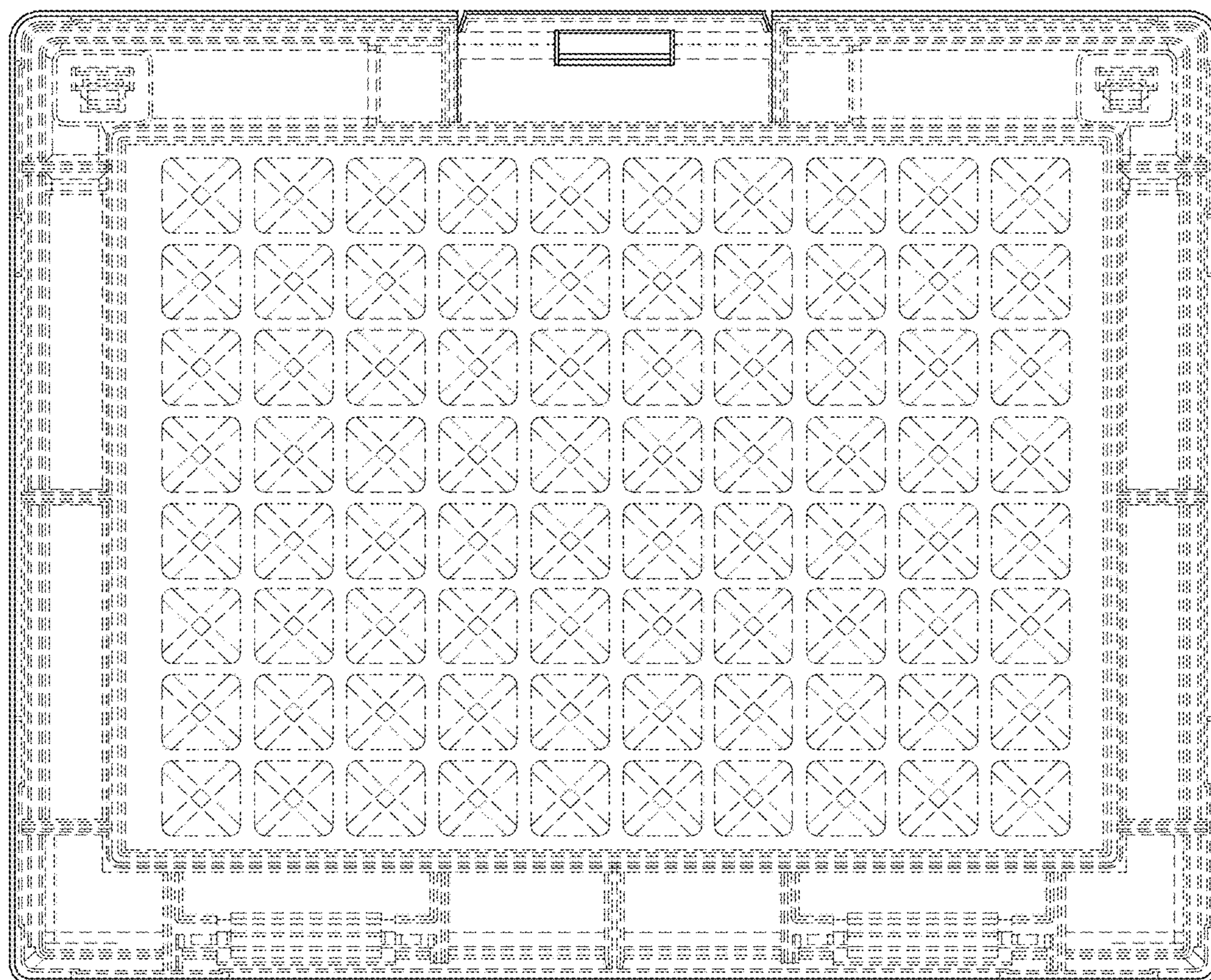


FIG. 5

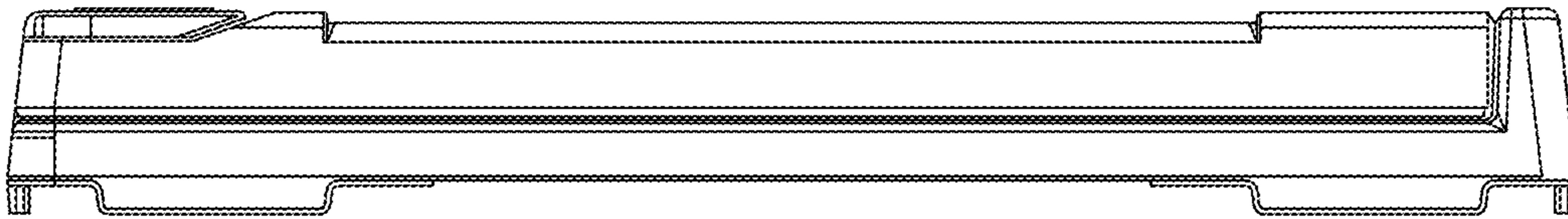


FIG. 6

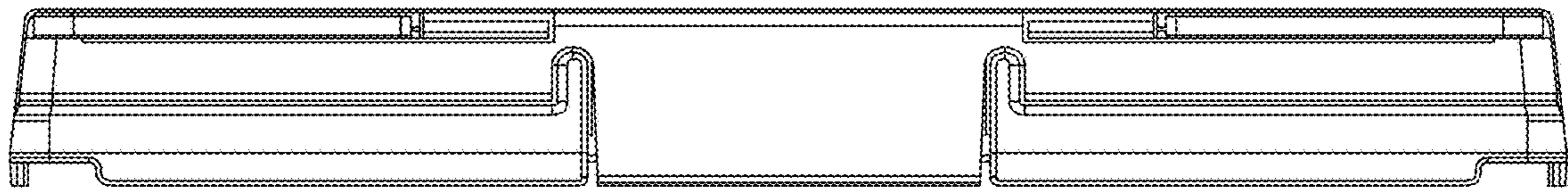


FIG. 7

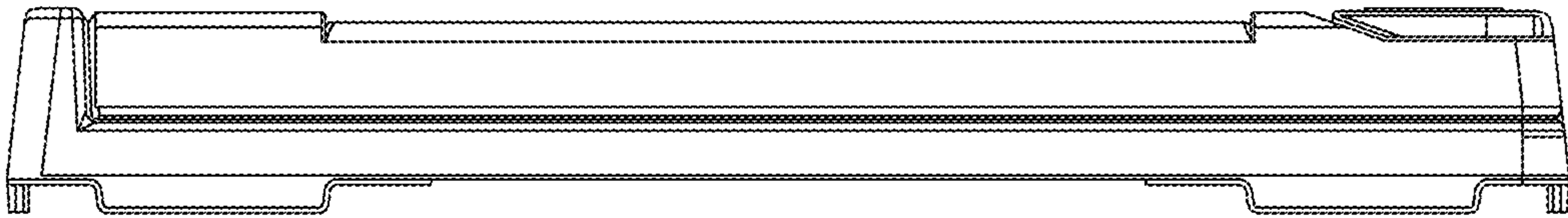


FIG. 8

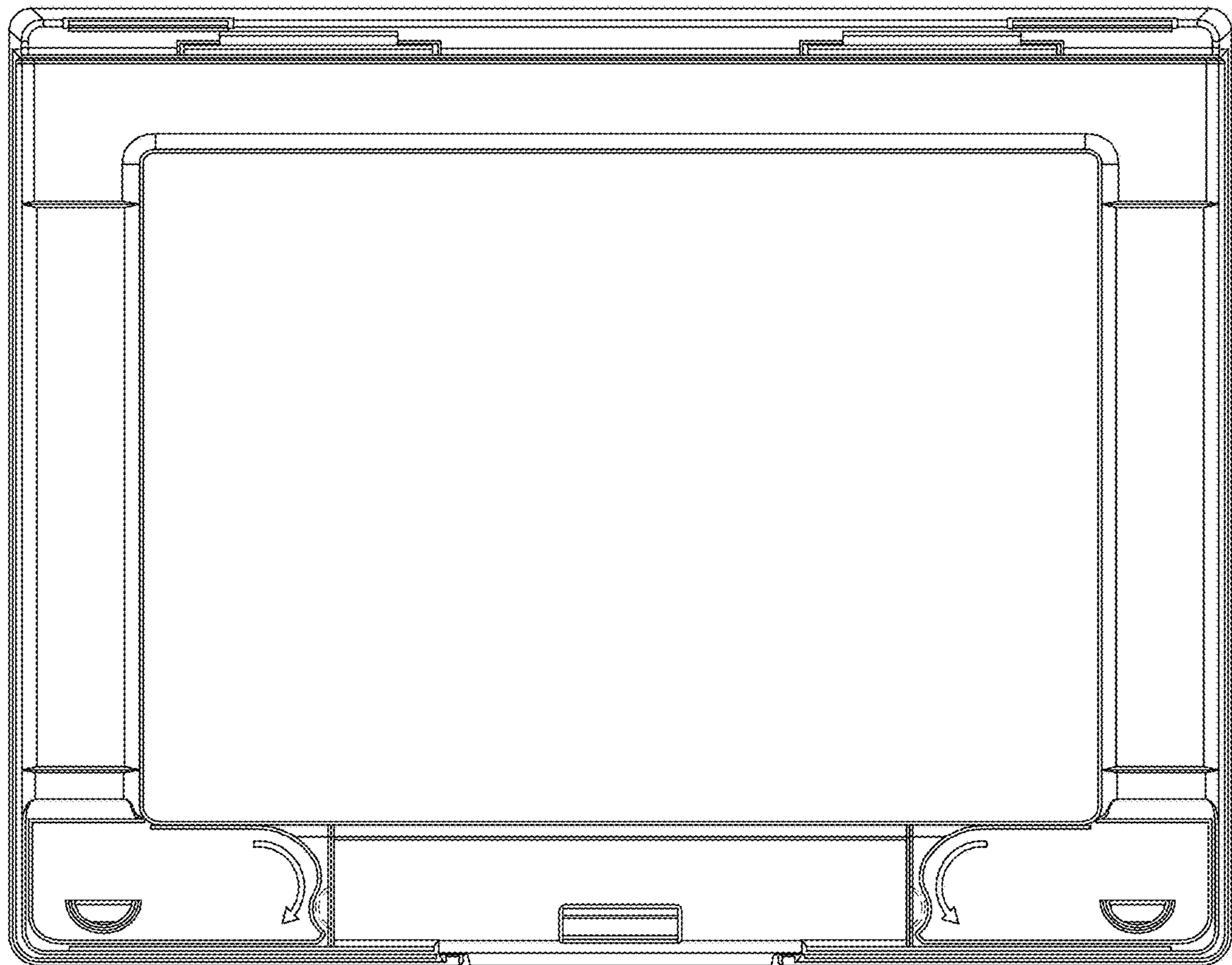


FIG.9