



US00D798590S

(12) **United States Design Patent**  
**Heyman**

(10) **Patent No.:** **US D798,590 S**

(45) **Date of Patent:** **\*\* Oct. 3, 2017**

(54) **HANDBAG**

(71) Applicant: **Edie Parker LLC**, New York, NY (US)

(72) Inventor: **Brett Heyman**, New York, NY (US)

(\*\*) Term: **15 Years**

(21) Appl. No.: **29/577,875**

(22) Filed: **Sep. 16, 2016**

(51) **LOC (10) Cl.** ..... **03-01**

(52) **U.S. Cl.**  
USPC ..... **D3/244**

(58) **Field of Classification Search**  
USPC ..... D3/232–233, 240–246  
CPC ..... A45C 1/024; A45C 3/06  
See application file for complete search history.

(56) **References Cited**

**U.S. PATENT DOCUMENTS**

D183,712 S *	10/1958	Blaivas	.....	D3/244
D204,048 S *	3/1966	Muscateillo	.....	D3/244
D290,064 S	6/1987	Whitaker		
D594,653 S	6/2009	Ramsey		
D604,505 S *	11/2009	Gerbi	.....	D3/244

D648,537 S *	11/2011	Kostner	.....	D3/242
D709,285 S *	7/2014	Meillan	.....	D3/233
D749,320 S	2/2016	Slimane		
2012/0267017 A1	10/2012	Sloan		

\* cited by examiner

*Primary Examiner* — Holly H Baynham

(74) *Attorney, Agent, or Firm* — Springut Law PC;  
Milton Springut

(57) **CLAIM**

The ornamental design of a handbag, as shown and described.

**DESCRIPTION**

FIG. 1 is a top perspective view thereof.  
FIG. 2 is a top view thereof.  
FIG. 3 is a bottom view thereof.  
FIG. 4 is a front view thereof in use.  
FIG. 5 is a rear view thereof in use; and,  
FIG. 6 is a straight on side view thereof.  
The broken lines showing a handbag base and grommets are for the purposes of illustrating environment and forms no part of the claimed design.

**1 Claim, 6 Drawing Sheets**

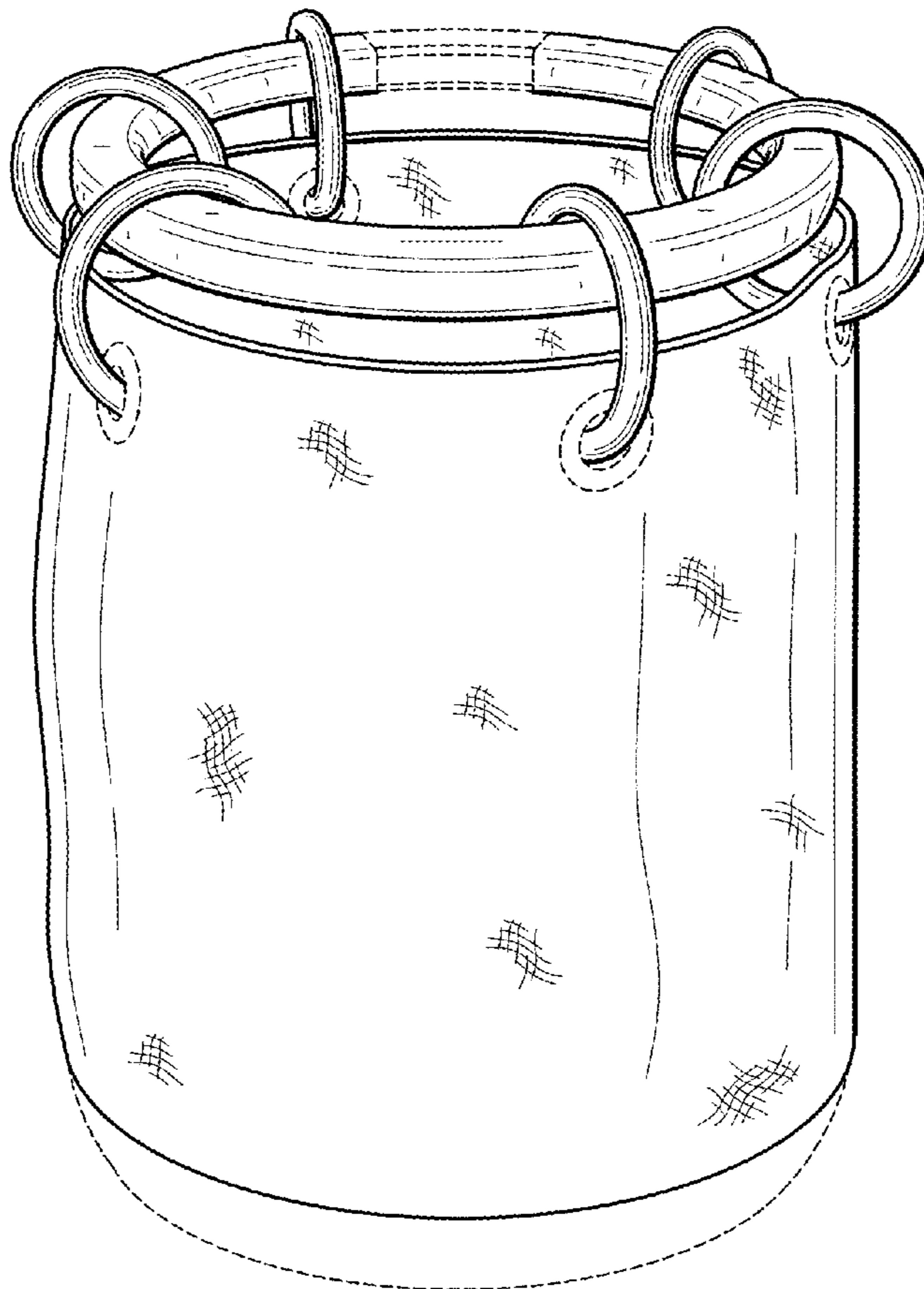


FIG. 1



FIG. 2

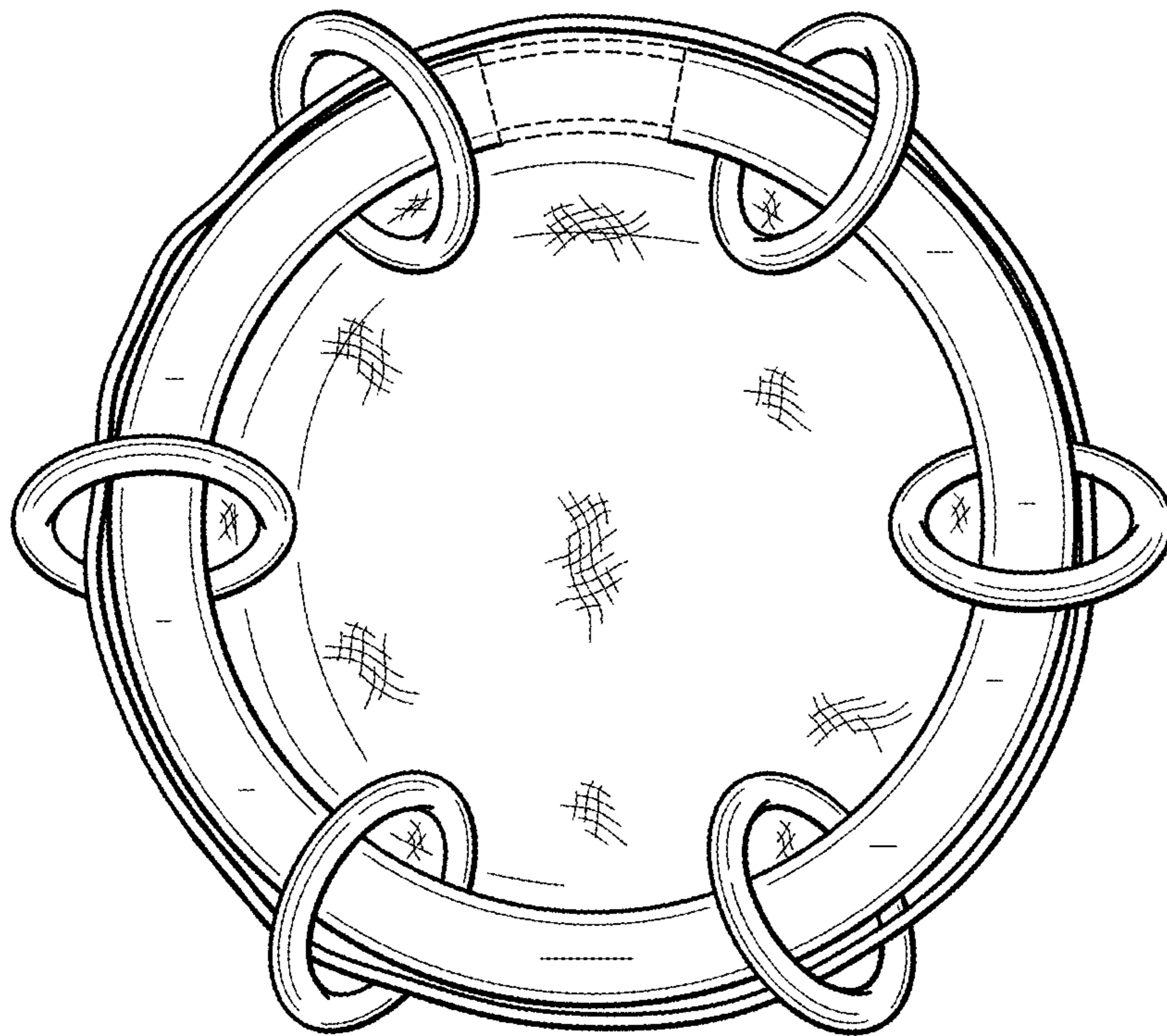


FIG. 3

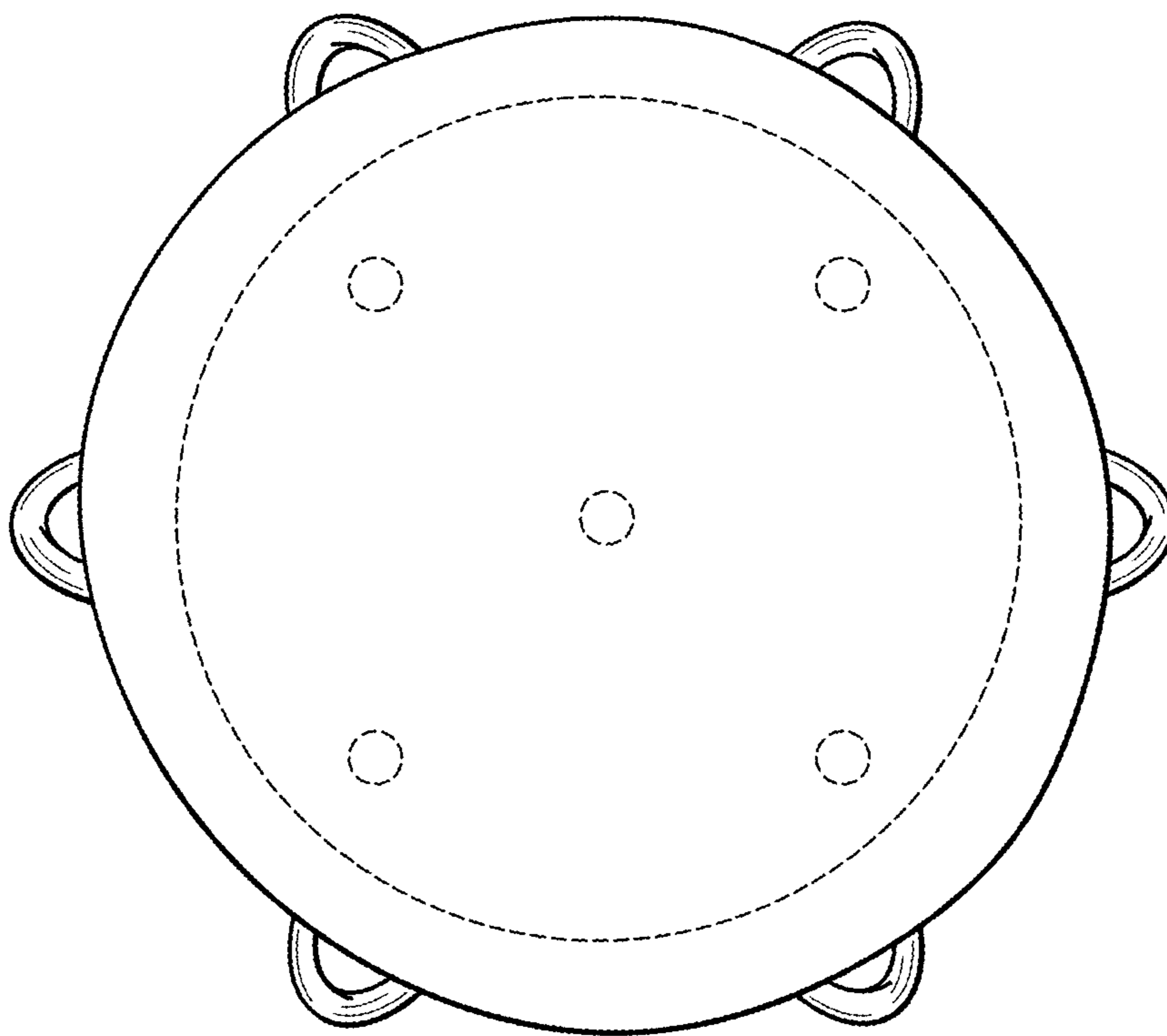


FIG. 4

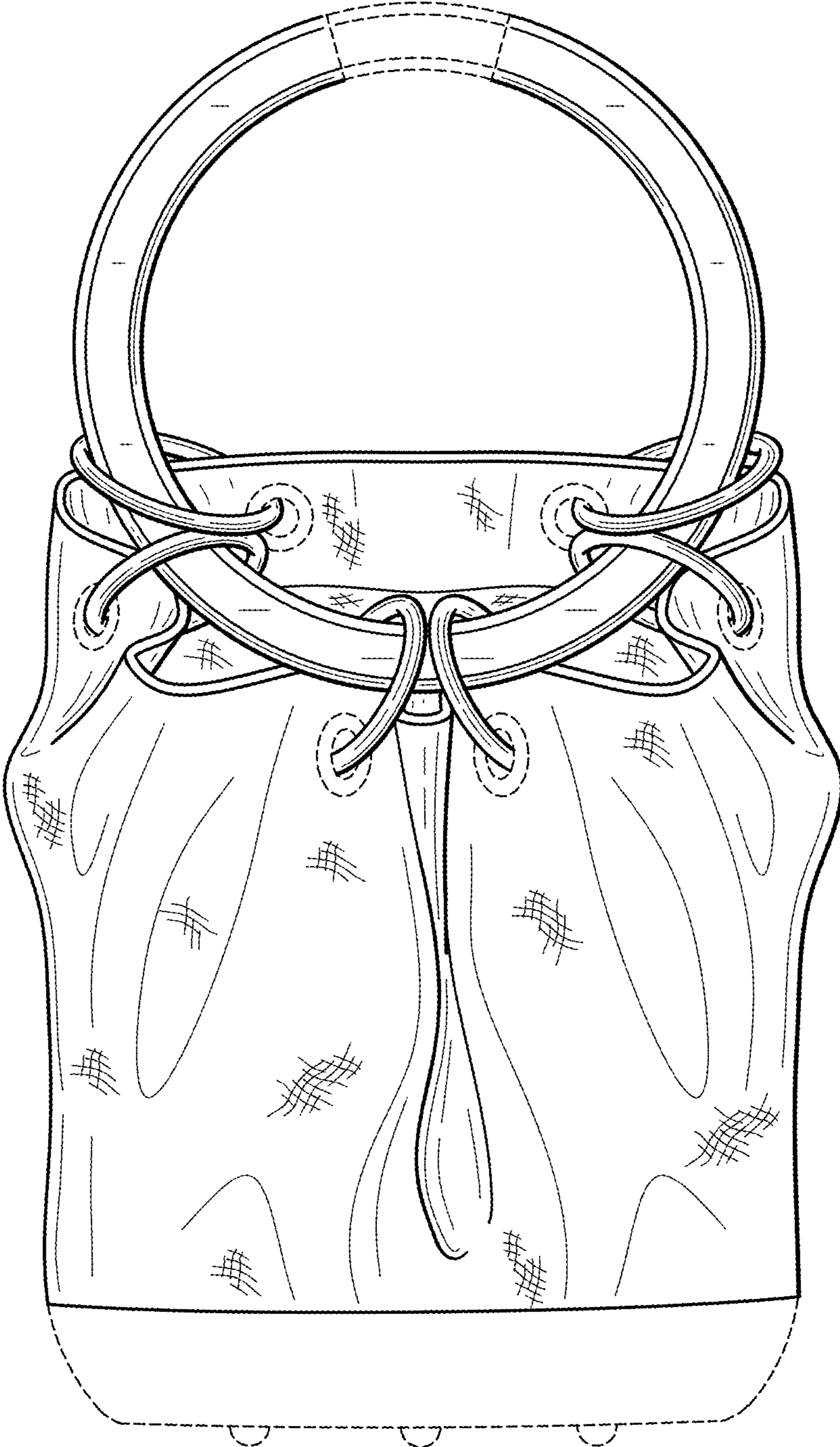


FIG. 5

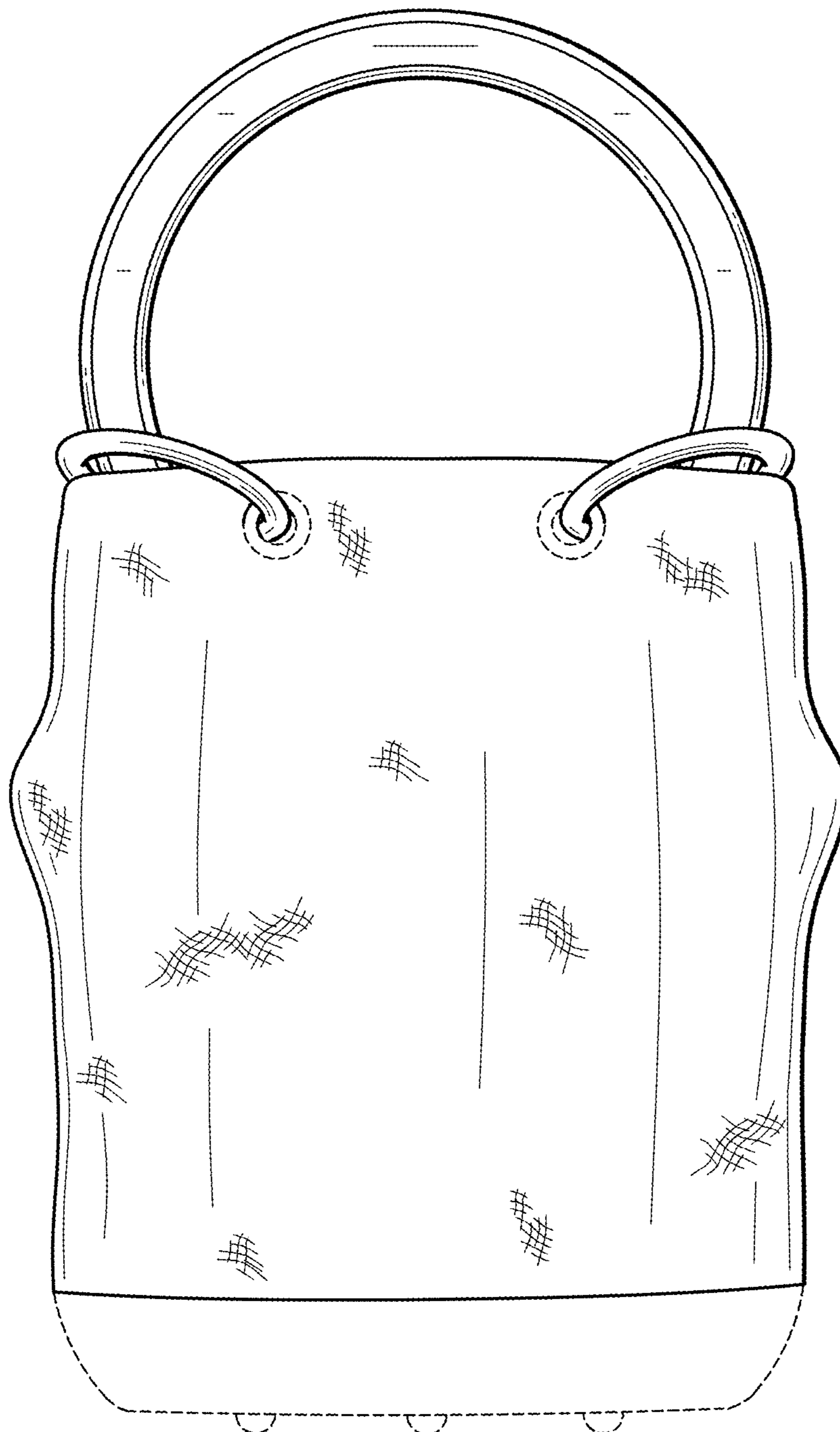


FIG. 6

