



US00D798589S

(12) **United States Design Patent**
Boroski

(10) **Patent No.:** **US D798,589 S**

(45) **Date of Patent:** **** Oct. 3, 2017**

- (54) **BAG**
- (71) Applicant: **THERMOS L.L.C.**, Schaumburg, IL
(US)
- (72) Inventor: **Dwayne Boroski**, Lake in the Hills, IL
(US)
- (73) Assignee: **THERMOS L.L.C.**, Schaumburg, IL
(US)

D179,224 S *	11/1956	Silverman	D3/242
D180,036 S *	4/1957	Silverman	D3/242
D525,424 S *	7/2006	Roth	D3/242
D574,148 S *	8/2008	Roth	D3/242
D723,272 S *	3/2015	Basha	D3/243

* cited by examiner

Primary Examiner — Holly Baynham

(74) *Attorney, Agent, or Firm* — Polsinelli PC

- (**) Term: **15 Years**
- (21) Appl. No.: **29/565,698**

(57) **CLAIM**

The ornamental design for a bag, as shown and described.

- (22) Filed: **May 24, 2016**
- (51) **LOC (10) Cl.** **03-01**
- (52) **U.S. Cl.**
USPC **D3/243**
- (58) **Field of Classification Search**
USPC D3/232–233, 240–243, 245–246
CPC A45C 1/024; A45C 3/06
See application file for complete search history.

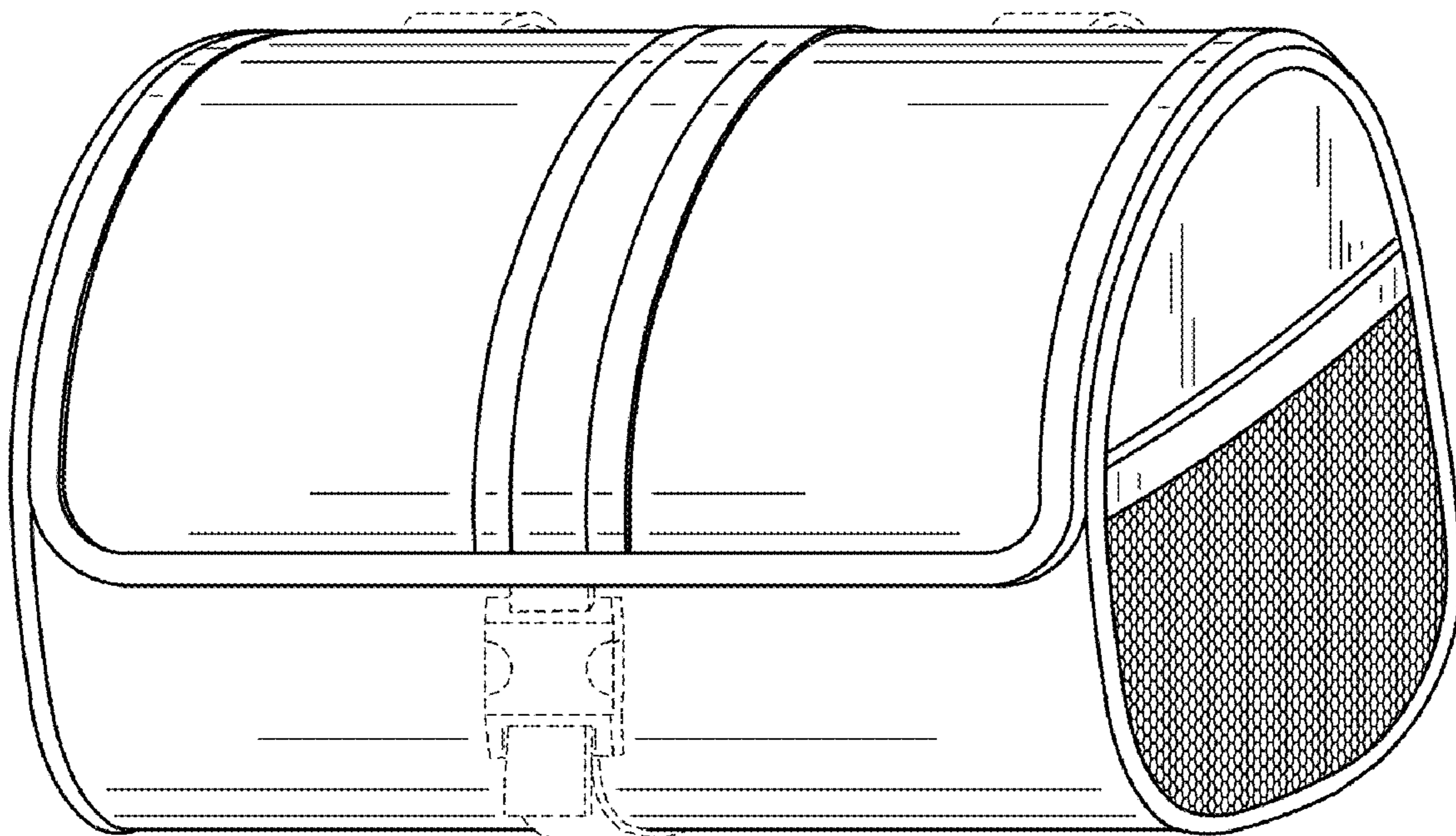
DESCRIPTION

FIG. 1 is a perspective view of the bag;
 FIG. 2 is a front view of the bag;
 FIG. 3 is a rear view of the bag;
 FIG. 4 is a right side view of the bag;
 FIG. 5 is a left side view of the bag;
 FIG. 6 is a top view of the bag; and,
 FIG. 7 is a bottom view of the bag.
 The broken lines showing in the figures are included for the purpose of illustrating portions of the bag that form no part of the claimed design.

(56) **References Cited**
 U.S. PATENT DOCUMENTS

D168,969 S *	3/1953	Rosenberg et al.	D3/242
D176,701 S *	1/1956	Silverman	D3/242

1 Claim, 4 Drawing Sheets



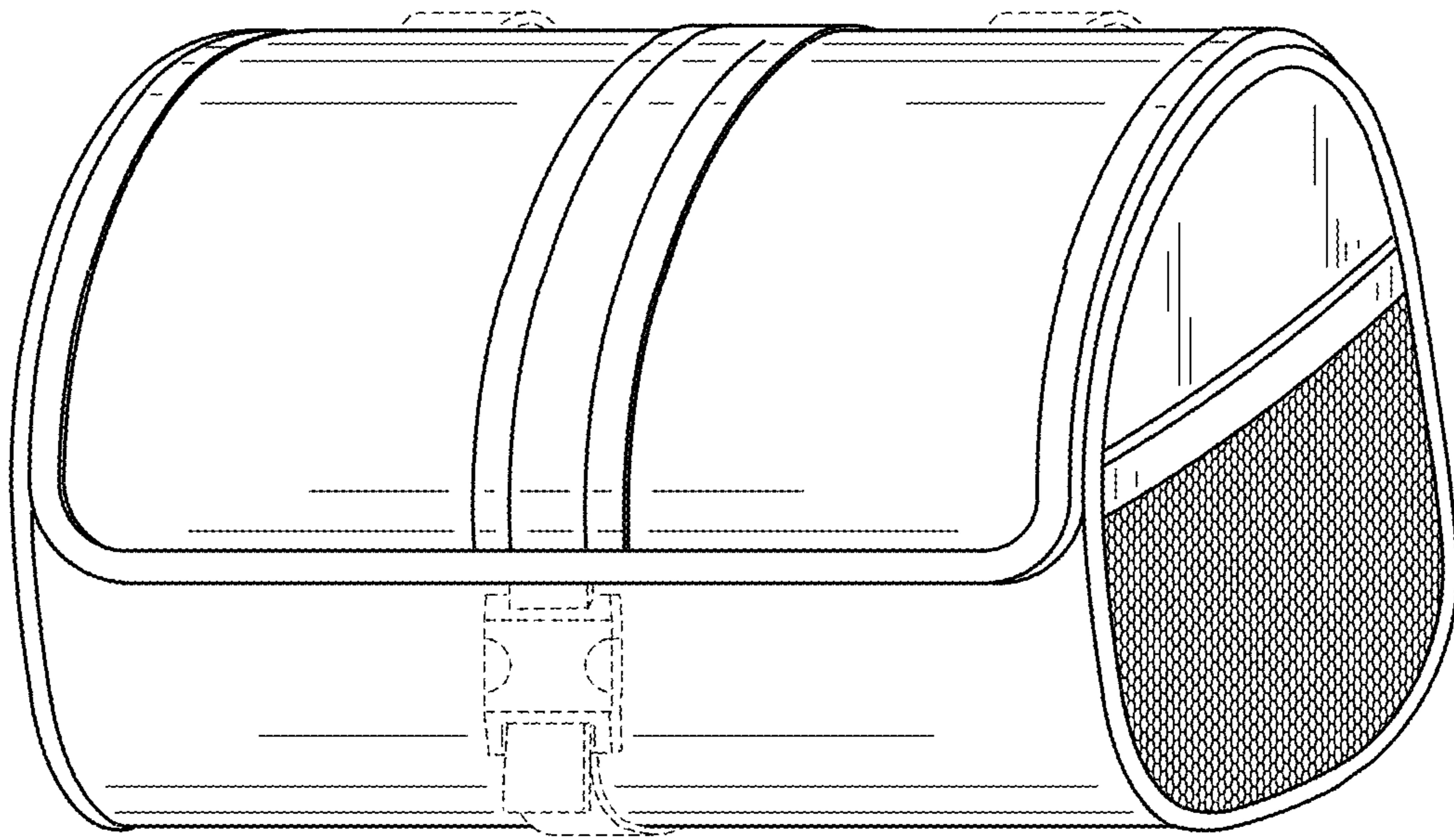


FIG. 1

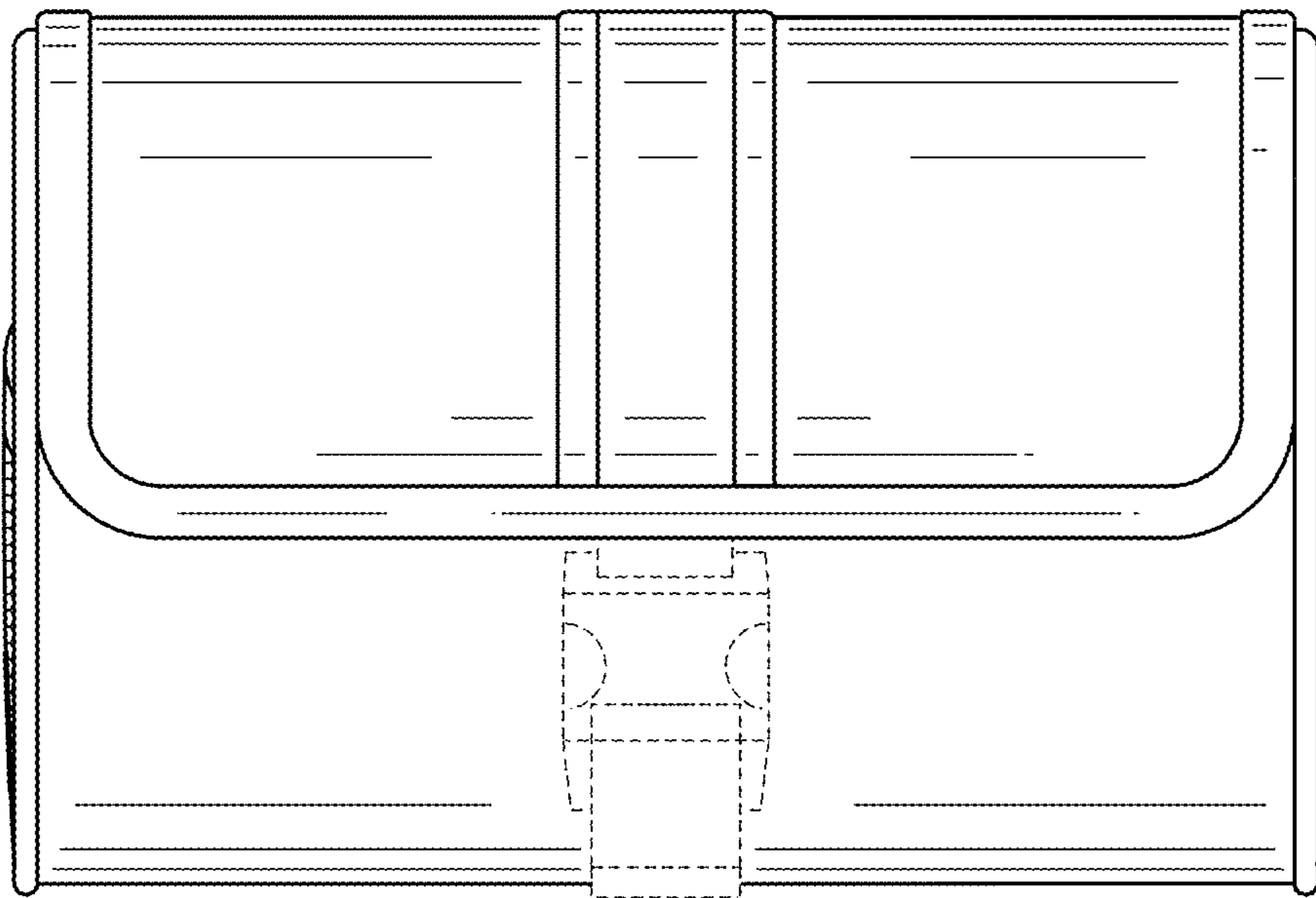


FIG. 2

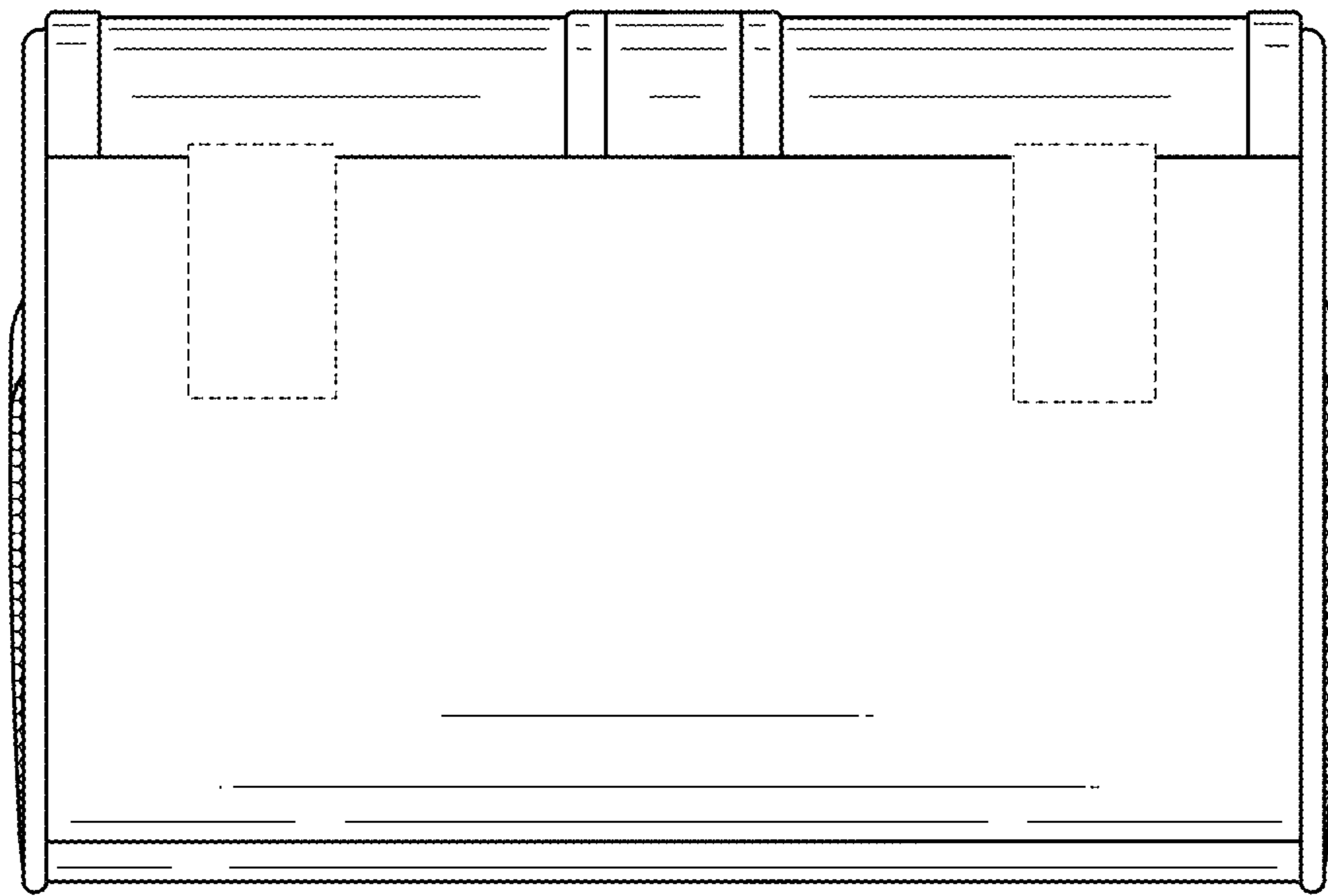


FIG. 3

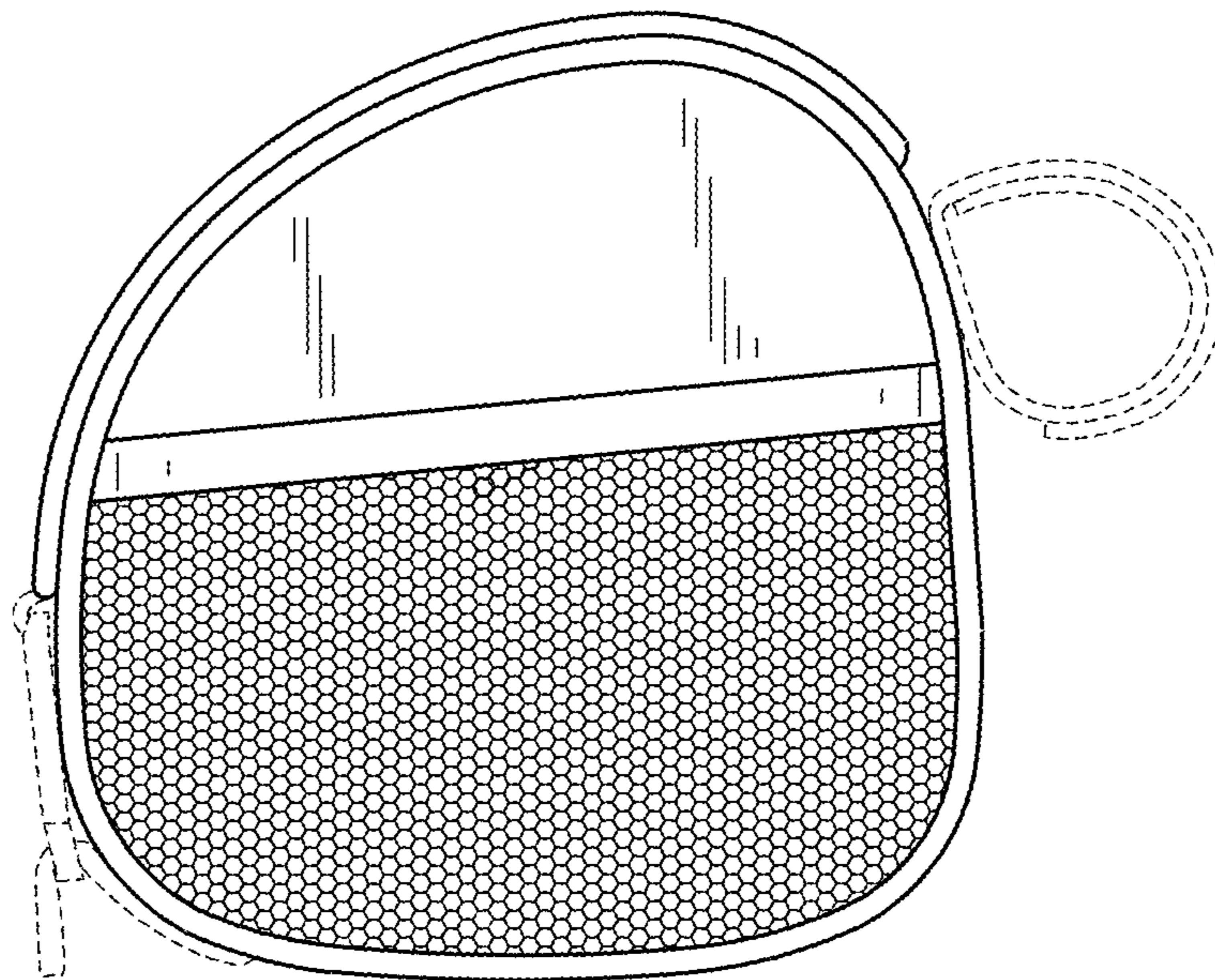


FIG. 4

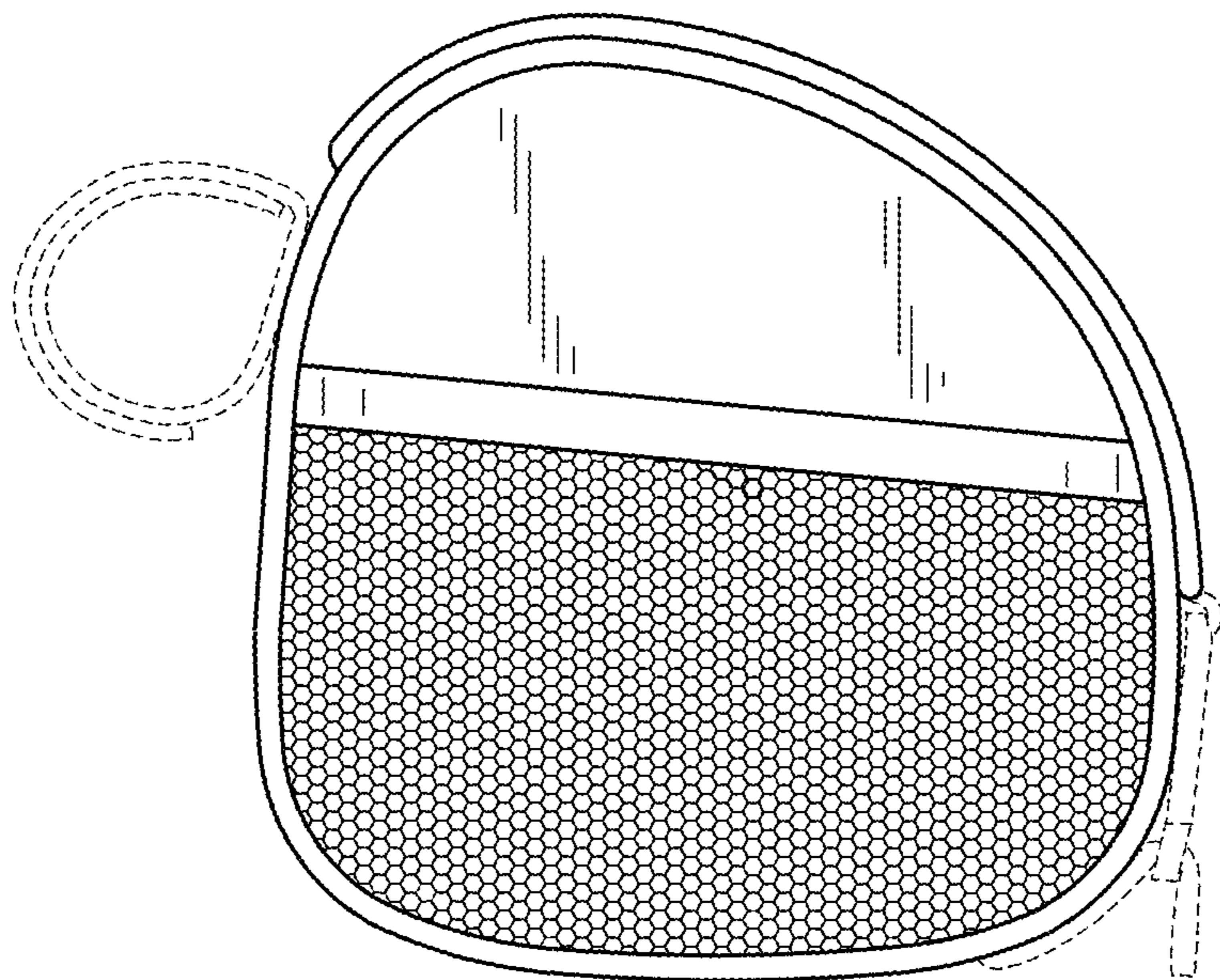


FIG. 5

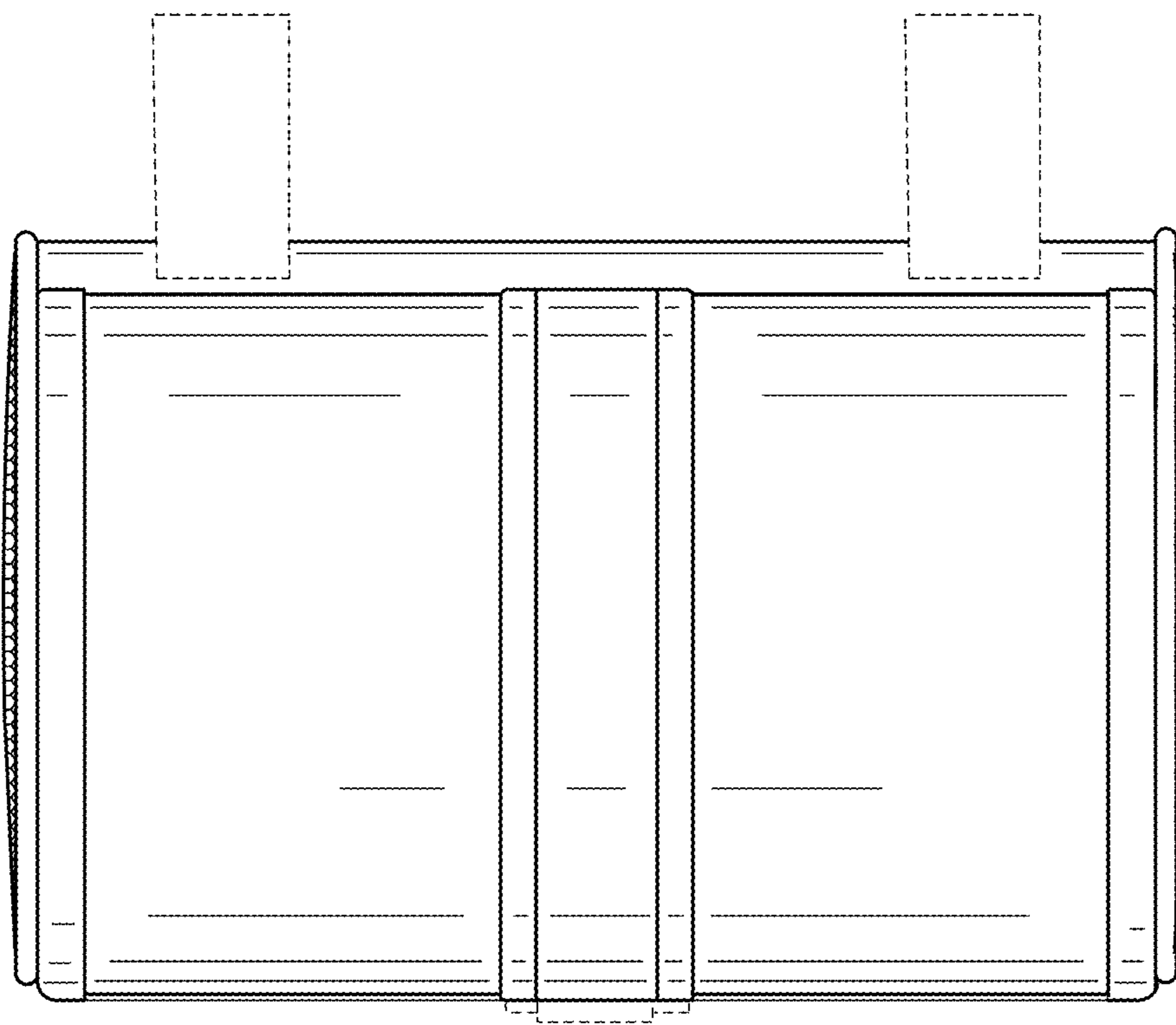


FIG. 6

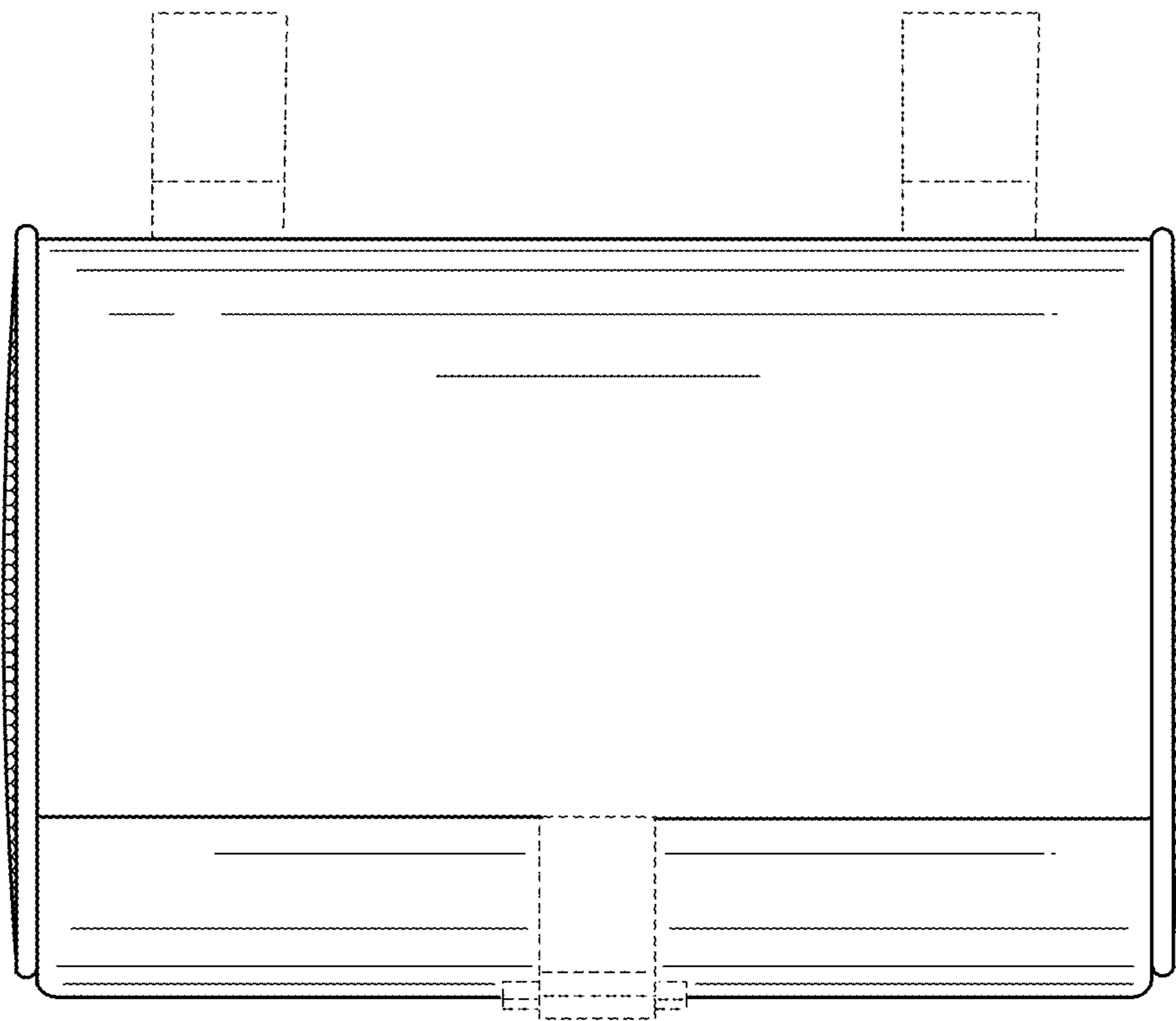


FIG. 7