



US00D798584S

(12) **United States Design Patent** (10) **Patent No.:** **US D798,584 S**
Beers (45) **Date of Patent:** **** Oct. 3, 2017**

(54) **MOBILE DEVICE HOLSTER**

(71) Applicant: **Brooke Michele Beers**, Dunnellon, FL (US)

(72) Inventor: **Brooke Michele Beers**, Dunnellon, FL (US)

(**) Term: **15 Years**

(21) Appl. No.: **29/569,494**

(22) Filed: **Jun. 28, 2016**

(51) **LOC (10) Cl.** **03-01**

(52) **U.S. Cl.**
USPC **D3/218**

(58) **Field of Classification Search**
USPC D3/218, 215, 219, 224, 226, 303, 201, D3/301, 269, 299; 224/236, 673, 901.6, 224/578, 674, 676-683, 240, 600, 605
CPC A45F 3/00; A45F 5/00; A45F 5/02; A45F 5/021; A45F 2200/0591; A45F 2200/0508; A45F 2200/0516; A45F 2200/0525

See application file for complete search history.

(56) **References Cited**

U.S. PATENT DOCUMENTS

D368,800 S *	4/1996	Shink	D3/218
D515,806 S *	2/2006	Rice	D3/218
D534,720 S *	1/2007	Infanti	D3/218
D653,444 S *	2/2012	Larios	D3/218
D667,630 S *	9/2012	Christ	D3/215
D782,816 S *	4/2017	Boyd	D3/218

* cited by examiner

Primary Examiner — Catherine R Oliver-Garcia

(74) *Attorney, Agent, or Firm* — Dunlap Bennett & Ludwig PLLC

(57) **CLAIM**

The ornamental design for a mobile device holster, as shown and described.

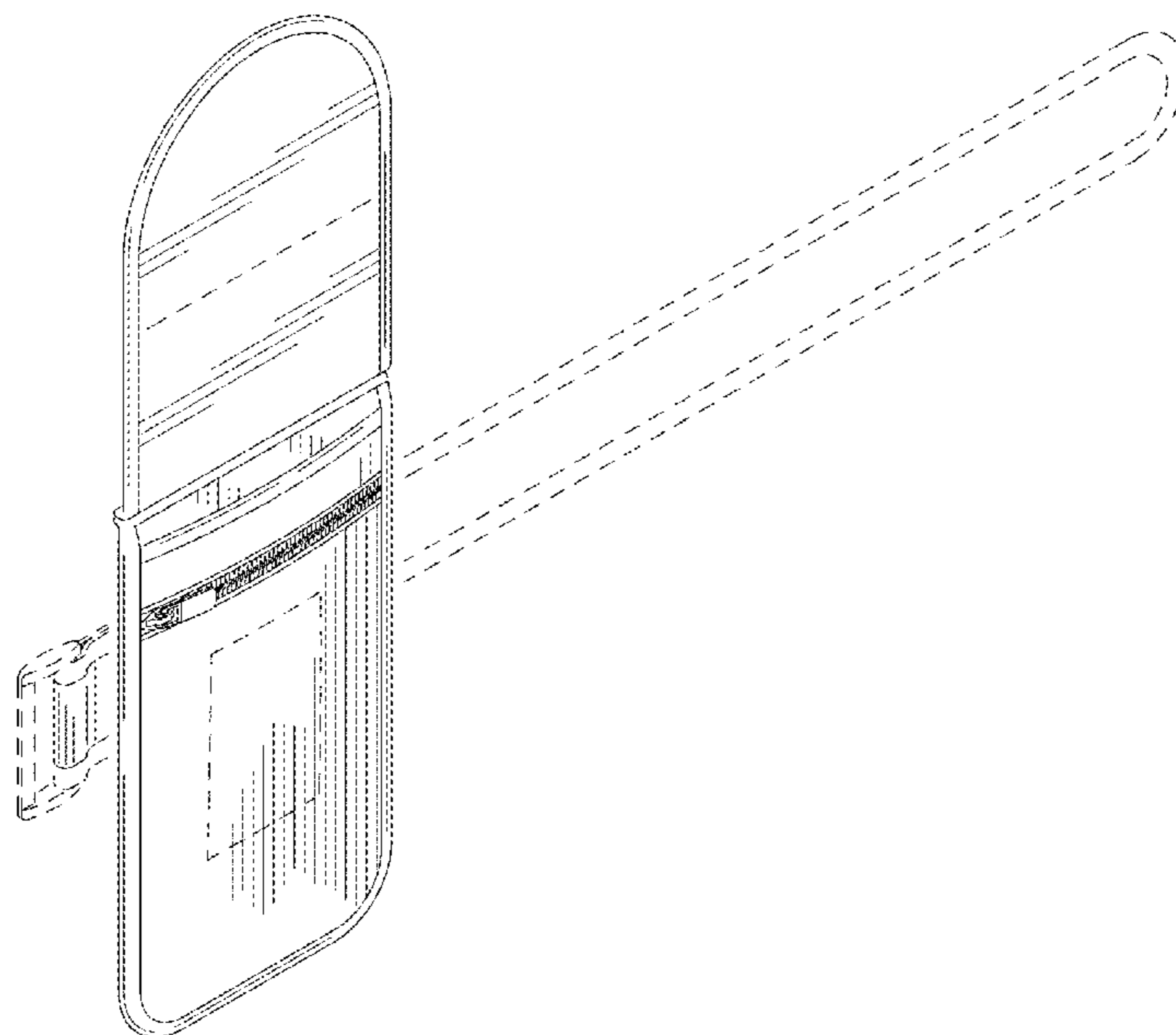
DESCRIPTION

FIG. 1 is a top, front perspective view of a first embodiment of a mobile device holster;
FIG. 2 is a right elevation view of FIG. 1;
FIG. 3 is a left elevation view of FIG. 1;
FIG. 4 is a front elevation view of FIG. 1;
FIG. 5 is a rear elevation view of FIG. 1;
FIG. 6 is a top plan view of FIG. 1;
FIG. 7 is a bottom plan view of FIG. 1;
FIG. 8 is a top, front perspective view of the first embodiment of the mobile device holster, shown in use, in a closed configuration;
FIG. 9 is a top, front perspective view of a second embodiment of the mobile device holster;
FIG. 10 is a right elevation view of FIG. 9;
FIG. 11 is a left elevation view of FIG. 9;
FIG. 12 is a front elevation view of FIG. 9;
FIG. 13 is a rear elevation view of FIG. 9;
FIG. 14 is a top plan view of FIG. 9; and,
FIG. 15 is a bottom plan view of FIG. 9.

The broken lines showing a user in FIG. 8 depicts environmental subject matter that forms no part of the claimed design, while the remaining broken lines shown in the drawings depict portions of the mobile device holster that form no part of the claimed design.

The strap is shown with symbolic breaks in its lengths. The appearance of any portion of the article between the break lines forms not part of the claimed design.

1 Claim, 7 Drawing Sheets



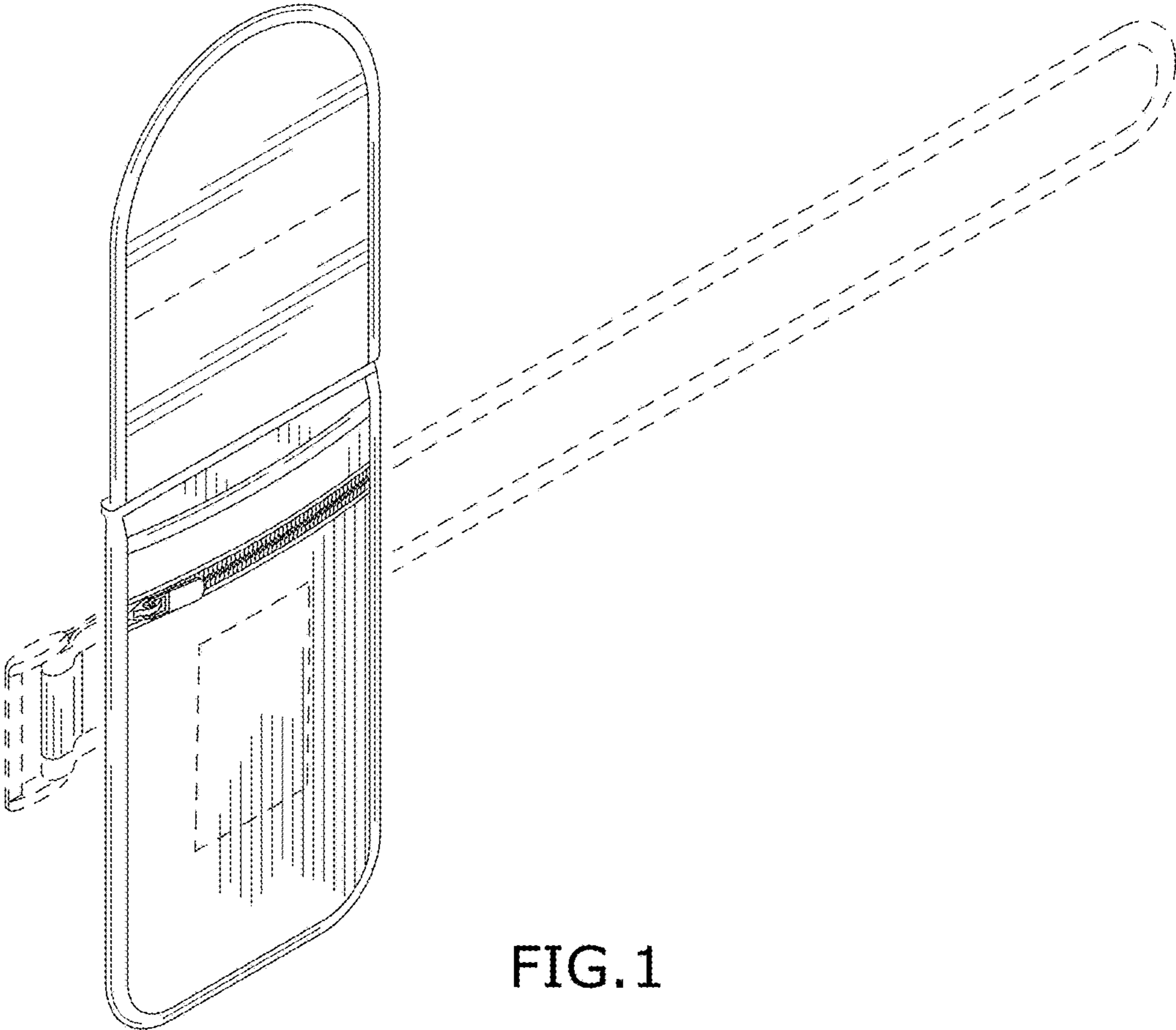


FIG. 1

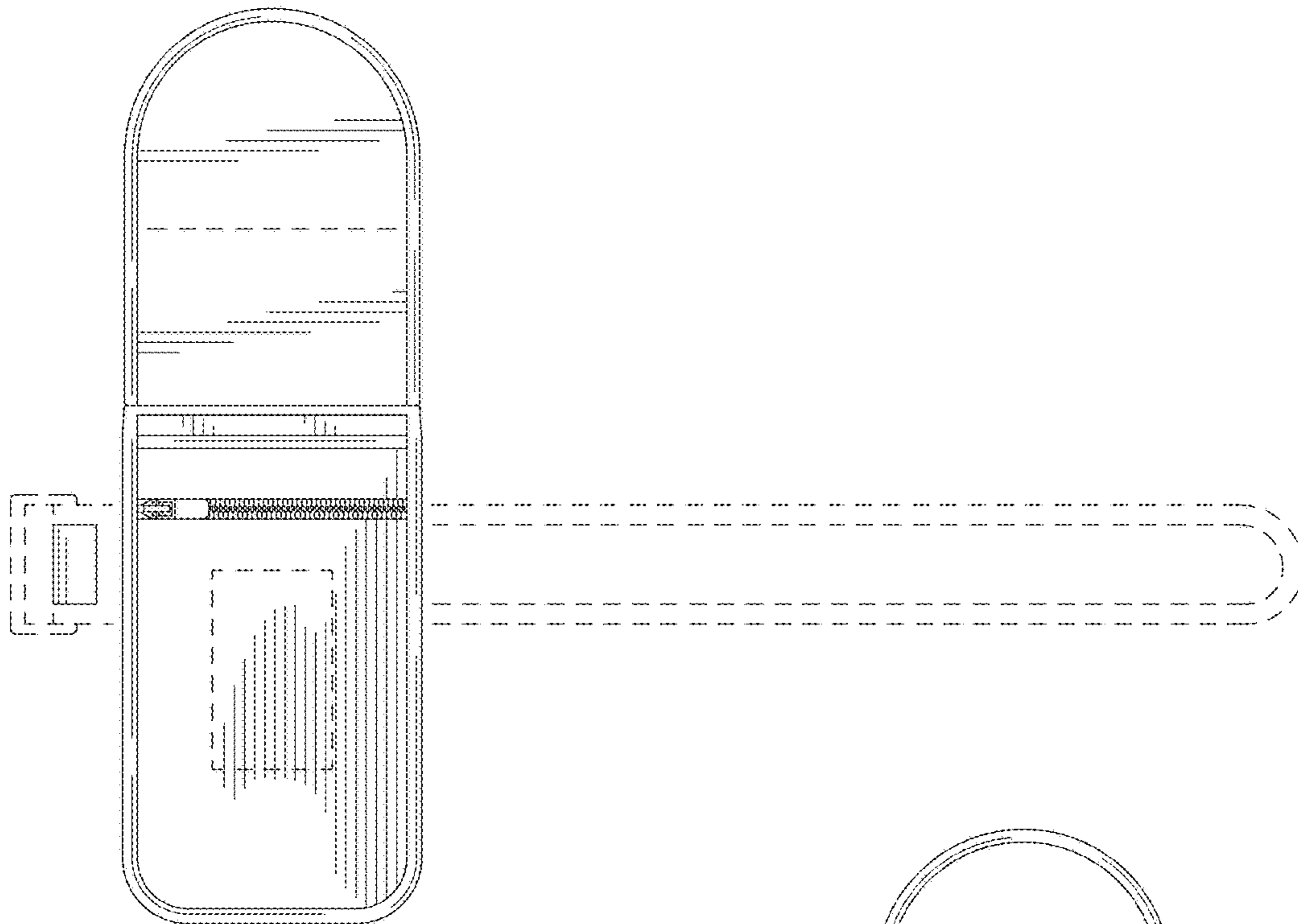


FIG. 2

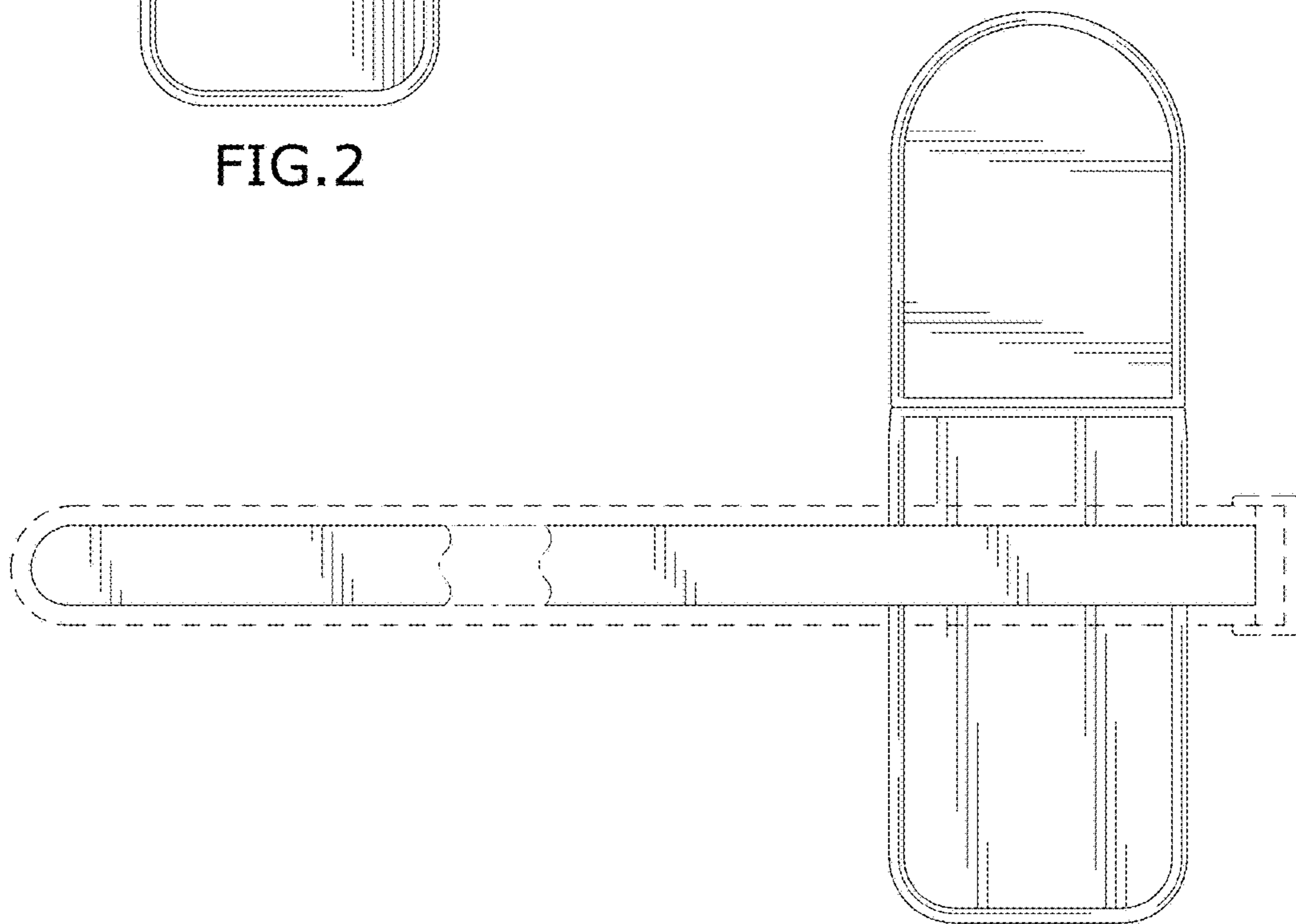


FIG. 3

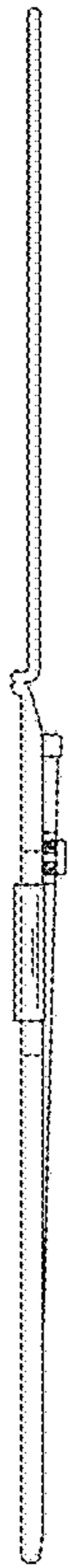


FIG. 4

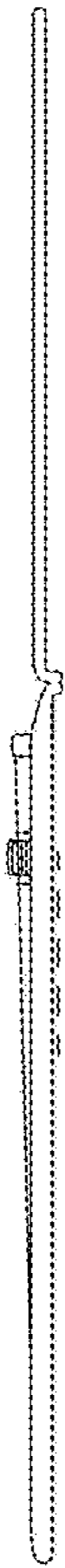


FIG. 5

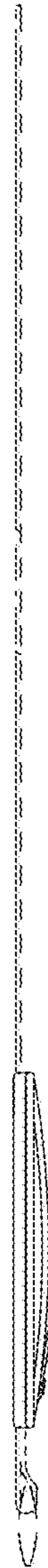


FIG. 6

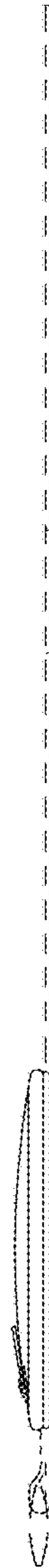


FIG. 7

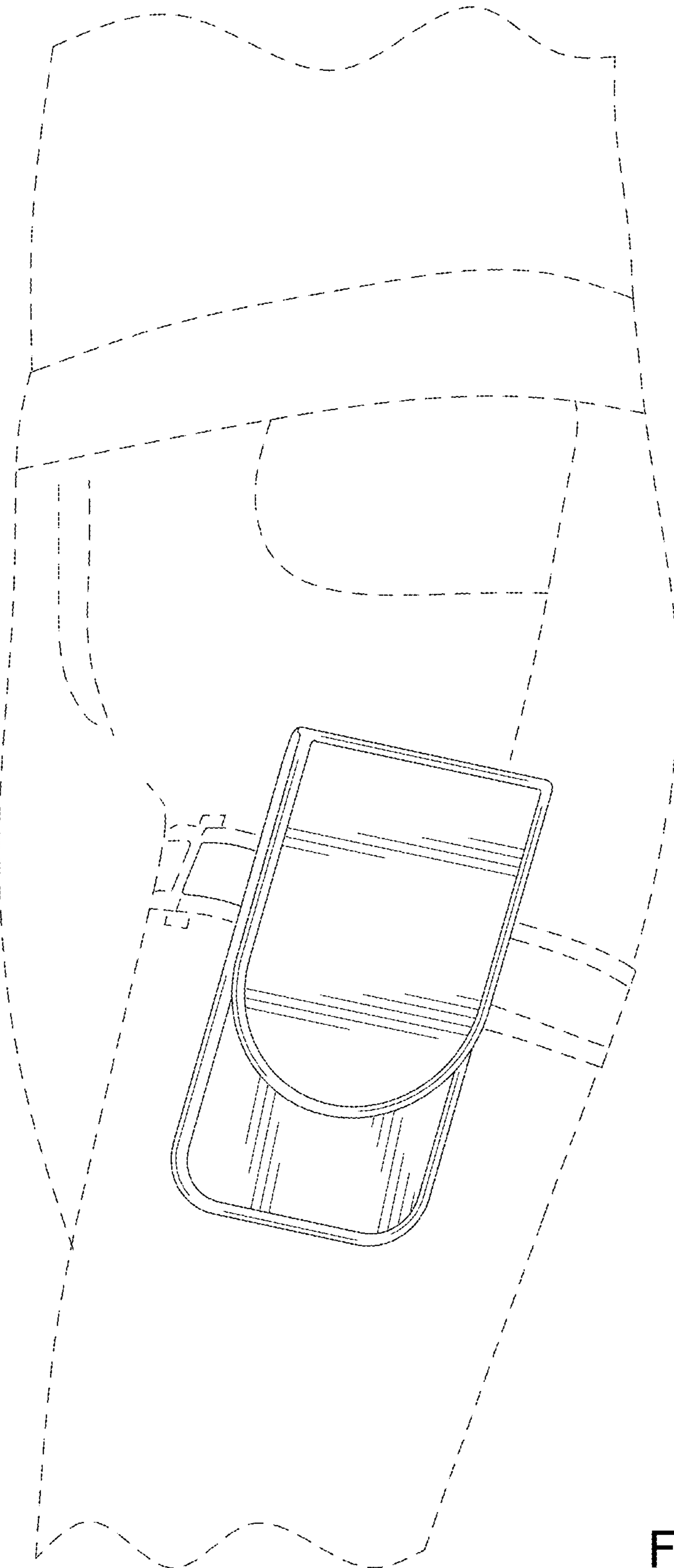


FIG.8

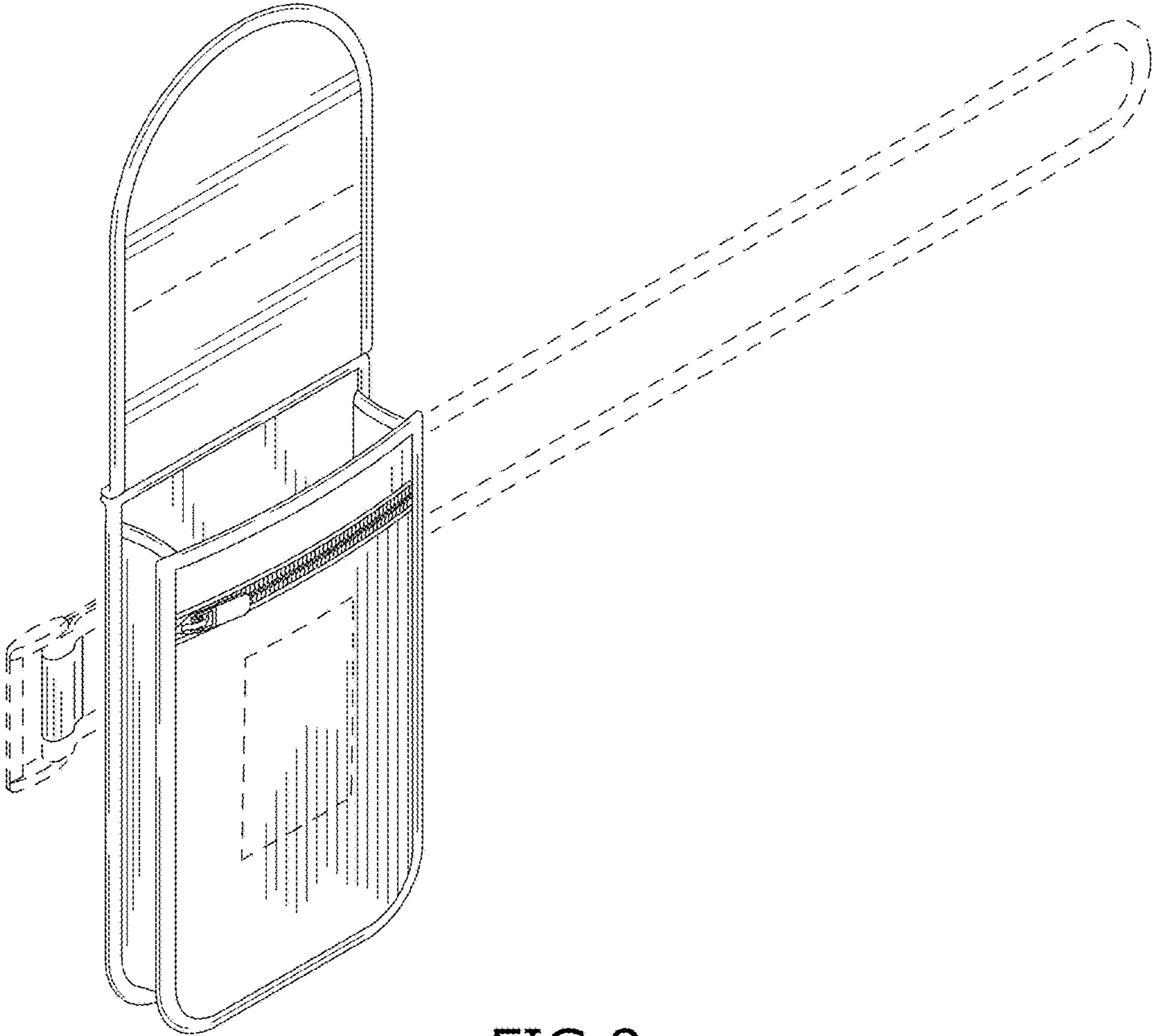


FIG.9

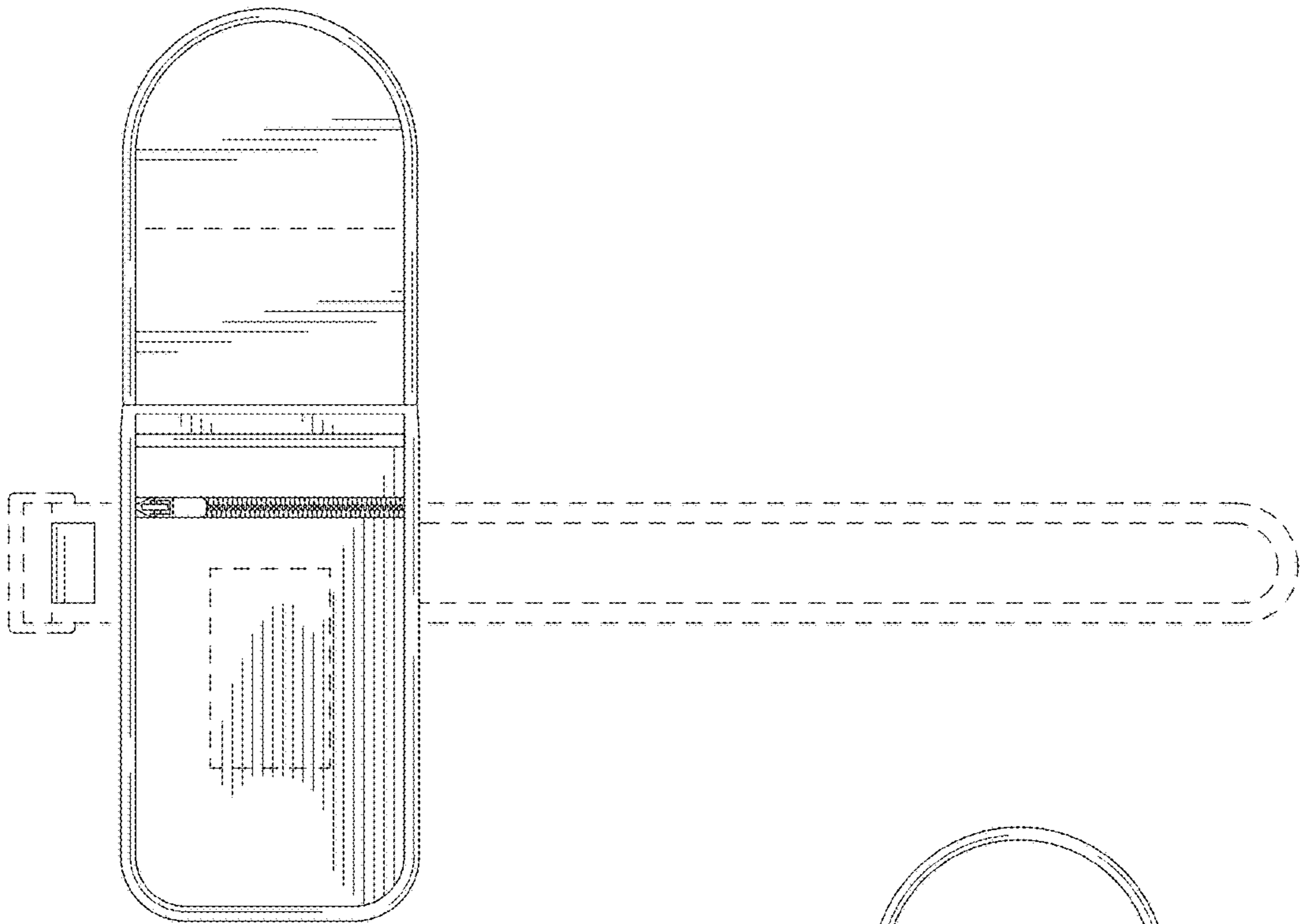


FIG. 10

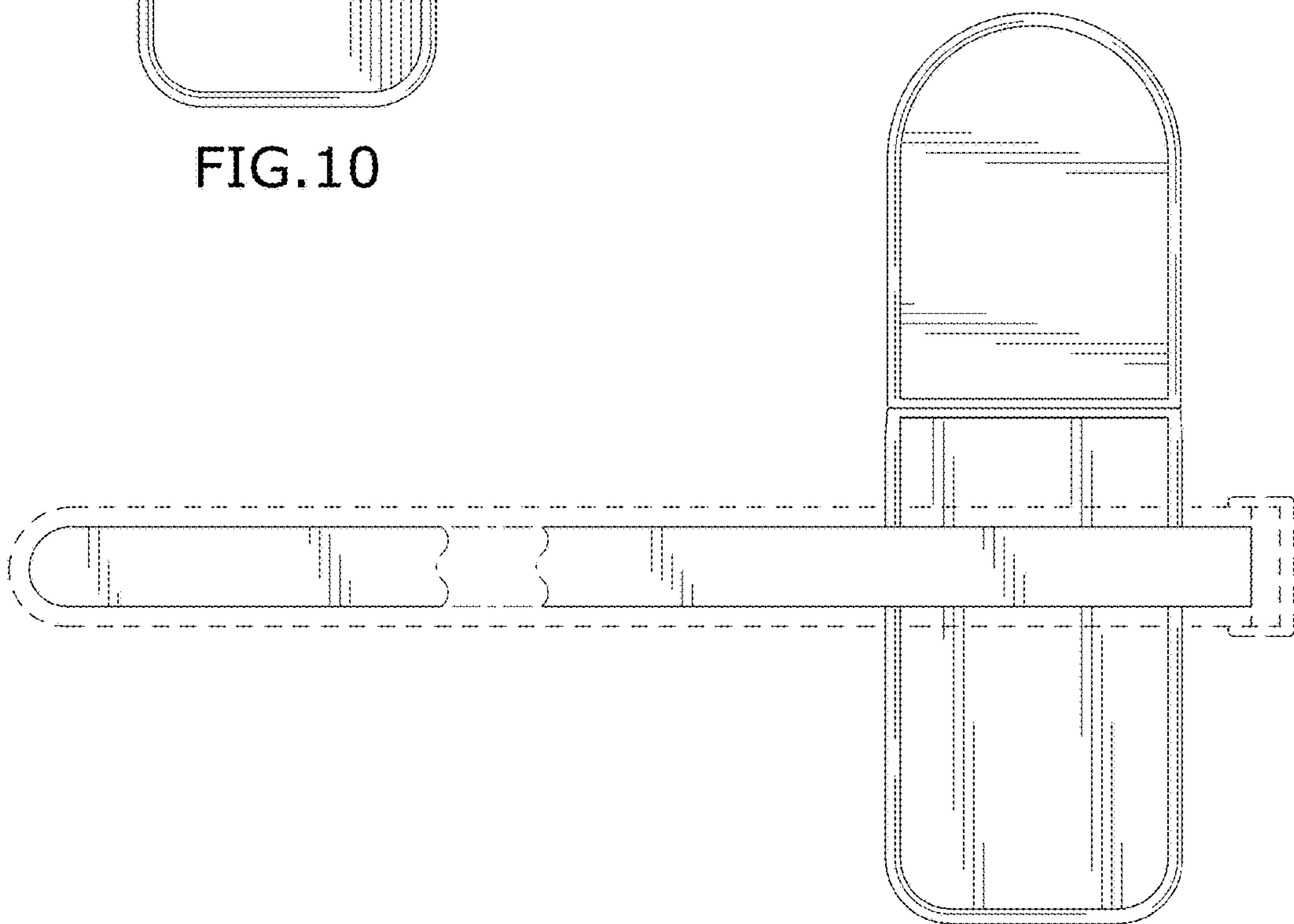


FIG. 11

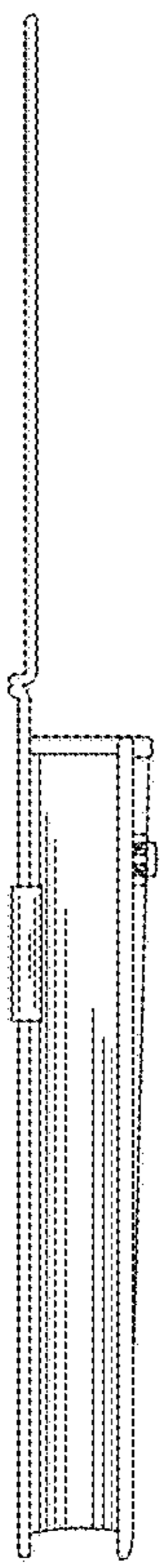


FIG. 12

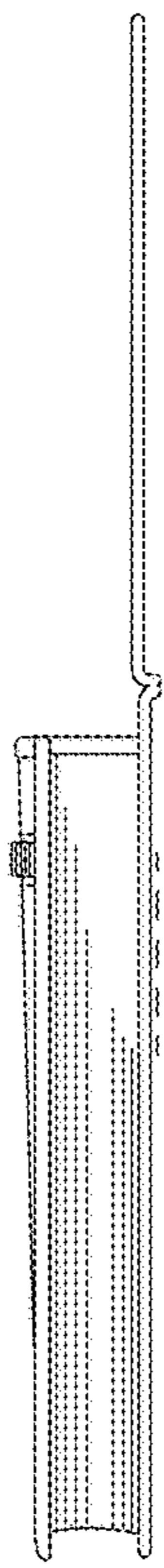


FIG. 13

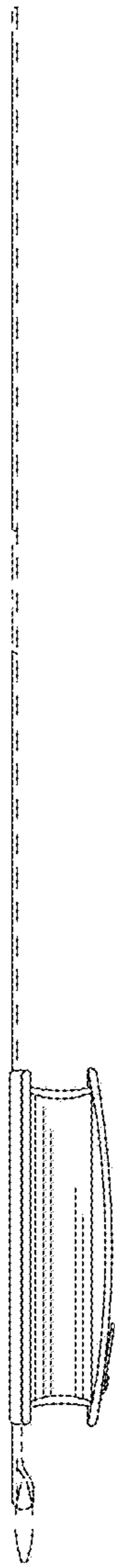


FIG. 14

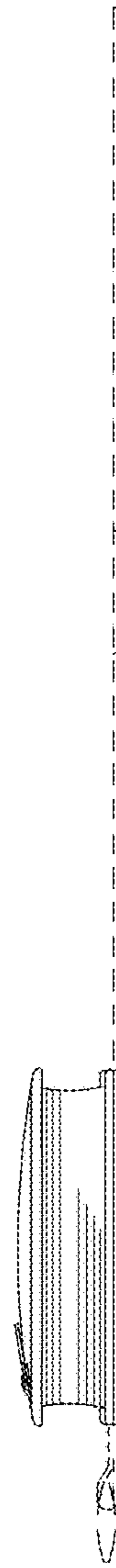


FIG. 15